



US00D752710S

(12) **United States Design Patent**
Tempel

(10) **Patent No.:** **US D752,710 S**

(45) **Date of Patent:** **** Mar. 29, 2016**

(54) **LOW PRESSURE, LOW FLOW STREAM STRAIGHTENER**

(56) **References Cited**

U.S. PATENT DOCUMENTS

(71) Applicant: **Neoperl GmbH**, Mullheim (DE)

6,126,093 A 10/2000 Grether et al.

(72) Inventor: **Marc Tempel**, Freiburg (DE)

D550,816 S 9/2007 Grether

(73) Assignee: **Neoperl GmbH**, Müllheim (DE)

D550,818 S 9/2007 Grether

7,357,337 B2 4/2008 Ferrari

(**) Term: **14 Years**

7,374,366 B2 5/2008 Tasi

D605,732 S 12/2009 Stein

(21) Appl. No.: **29/520,361**

D612,911 S 3/2010 Grether

D622,355 S 8/2010 Grether

(22) Filed: **Mar. 13, 2015**

D641,071 S 7/2011 Grether

RE43,347 E 5/2012 Grether

D674,878 S 1/2013 Jones et al.

D682,986 S 5/2013 Grether

D688,774 S 8/2013 Tempel

D693,427 S 11/2013 Jones et al.

D697,175 S 1/2014 Grether

Related U.S. Application Data

Primary Examiner — Robin V Webster

(62) Division of application No. 29/466,308, filed on Sep. 6, 2013, now Pat. No. Des. 728,740.

(74) *Attorney, Agent, or Firm* — Volpe and Koenig, P.C.

(30) **Foreign Application Priority Data**

(57)

CLAIM

Mar. 11, 2013 (WO) 725354801

The ornamental design of a low pressure, low flow stream straightener, as shown and described.

(51) **LOC (10) Cl.** **23-01**

DESCRIPTION

(52) **U.S. Cl.**

FIG. 1 is a top plan view of a low pressure, low flow stream straightener in accordance with my design;

FIG. 2 is a top, front perspective view thereof;

FIG. 3 is a bottom view thereof;

FIG. 4 is a bottom, rear perspective view thereof; and,

FIG. 5 is an elevational view thereof.

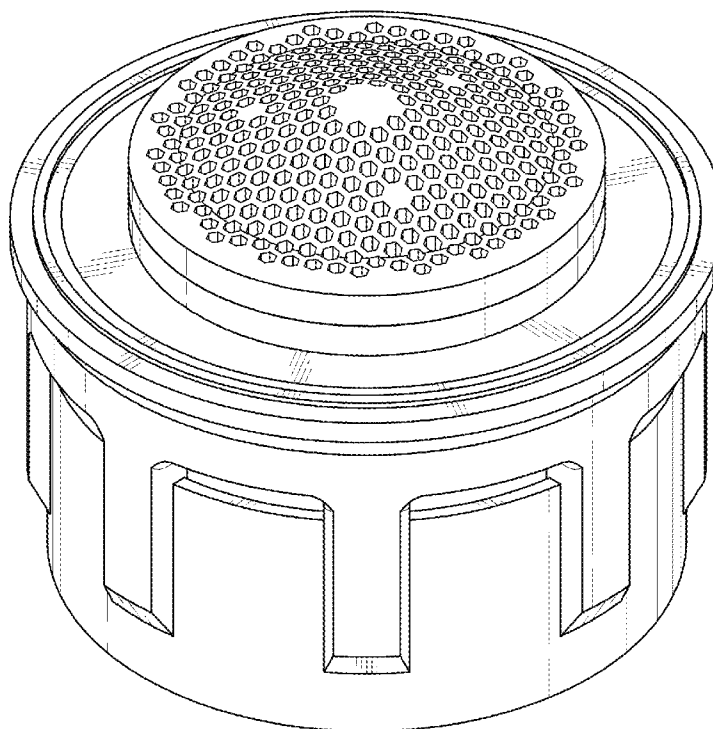
USPC **D23/213**

(58) **Field of Classification Search**

USPC D23/213, 249; 239/428.5, 437; 261/DIG. 22; 366/276, 364-5

See application file for complete search history.

1 Claim, 5 Drawing Sheets



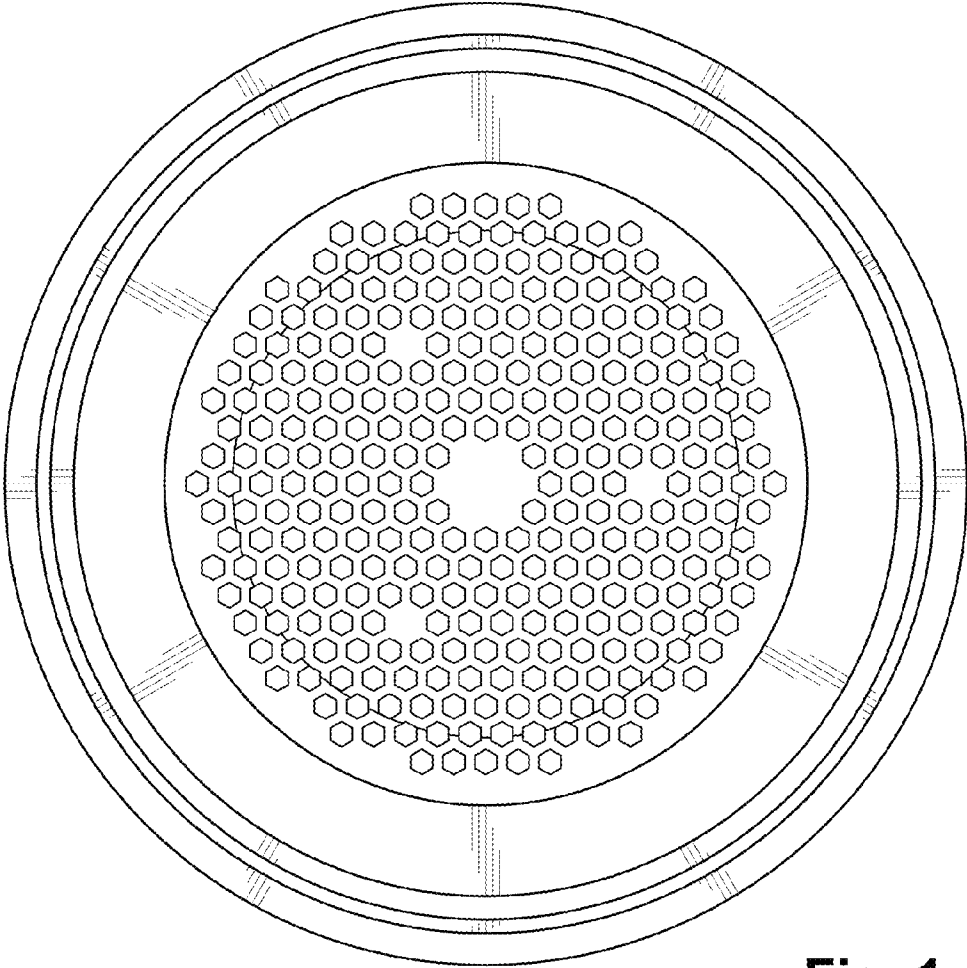


Fig. 1

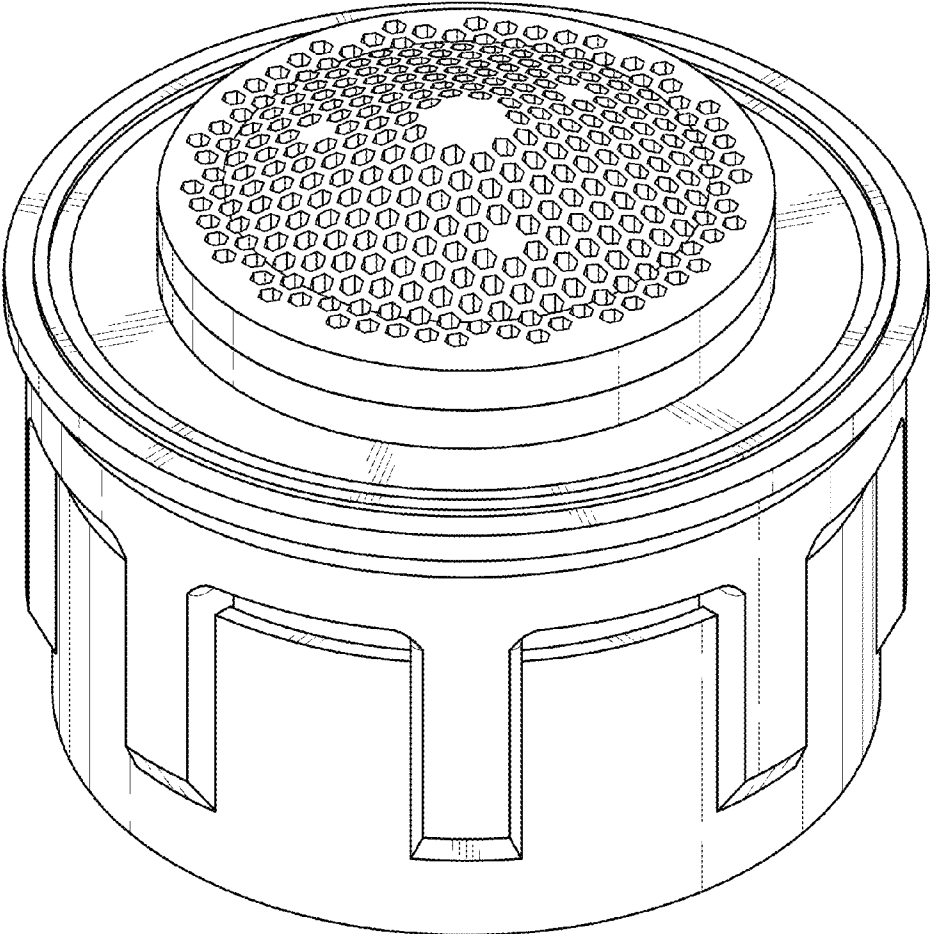


Fig. 2

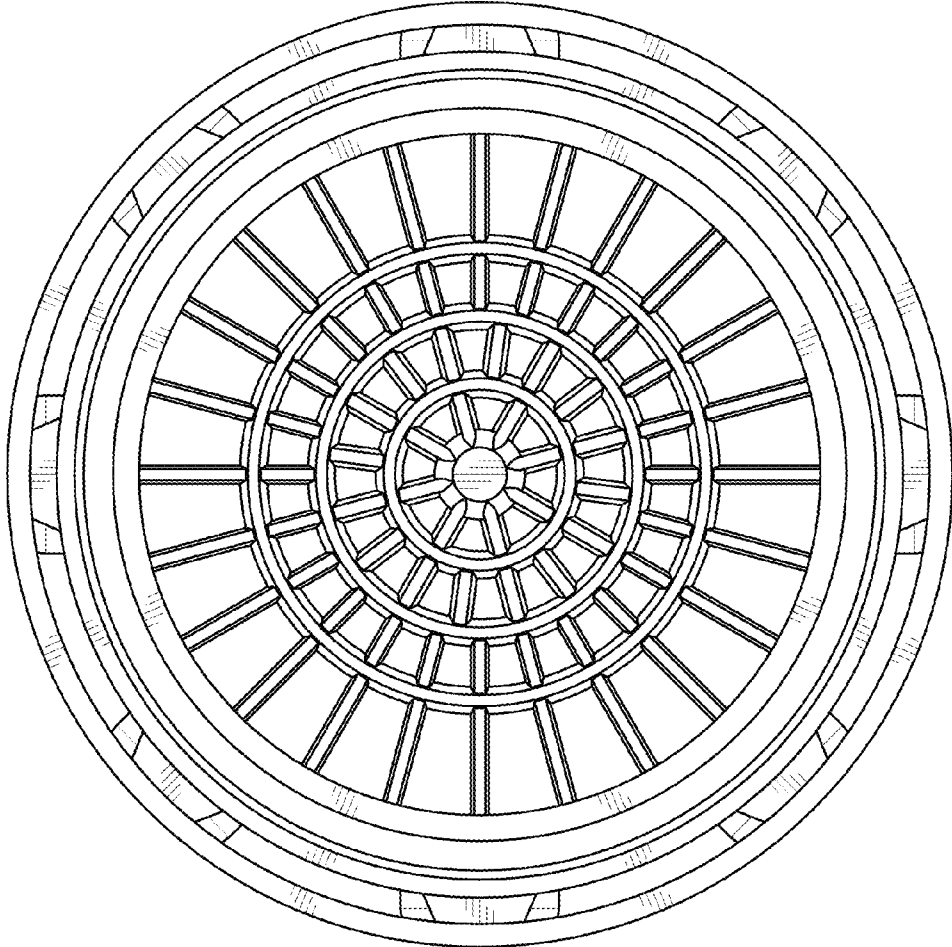


Fig. 3

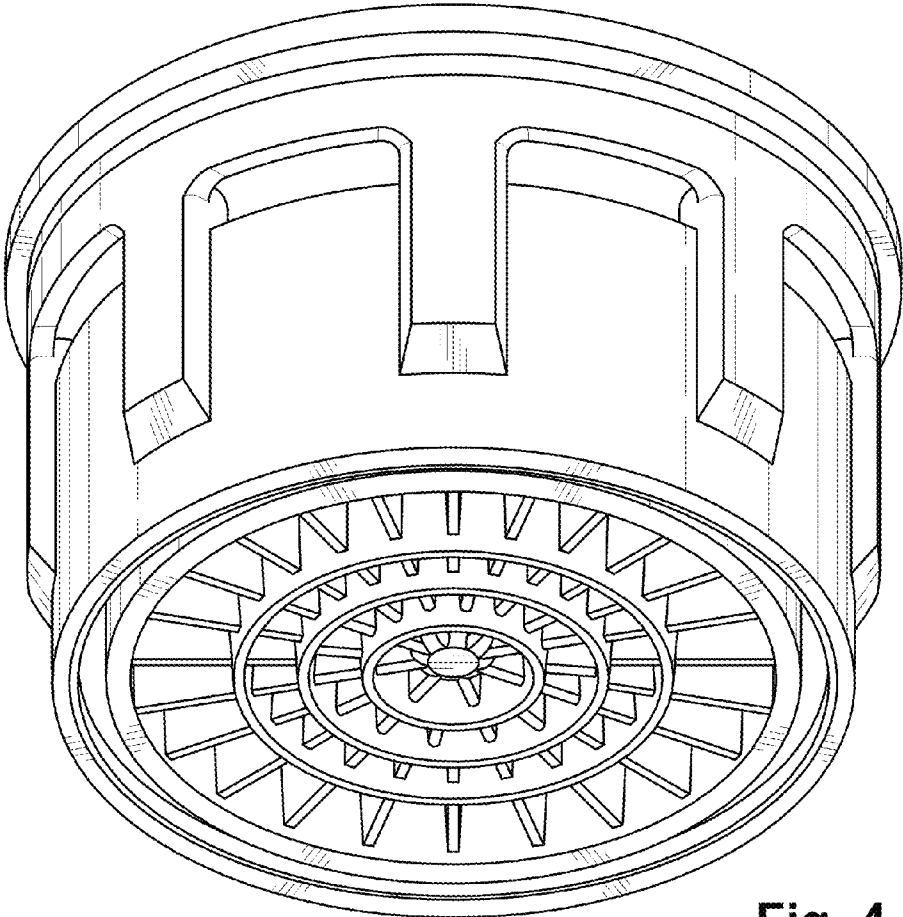


Fig. 4

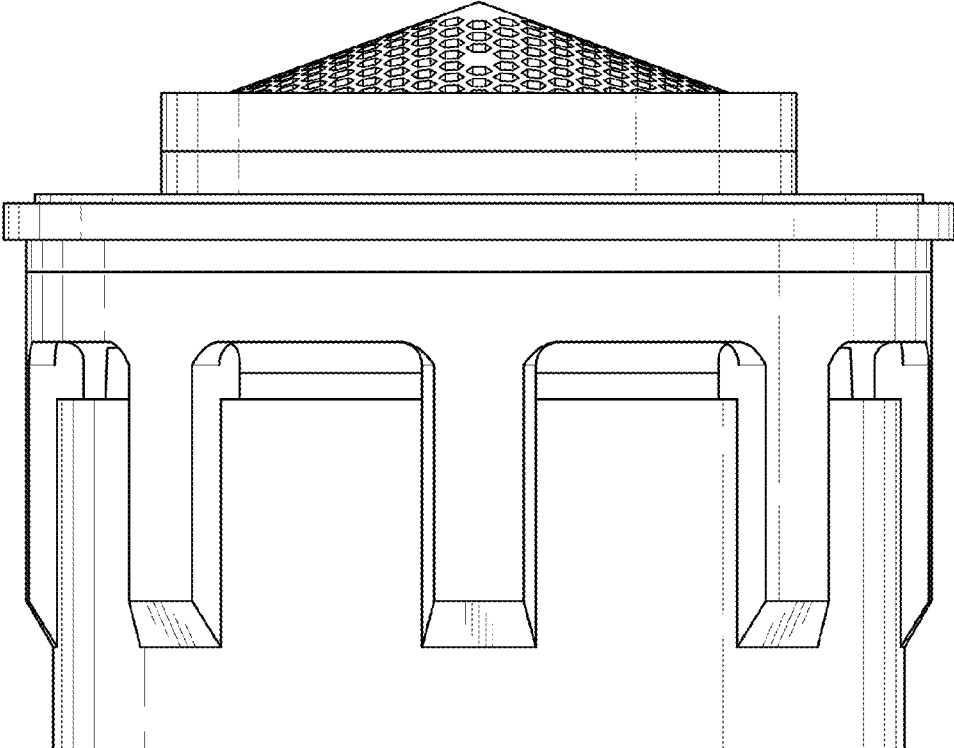


Fig. 5