



US00D610993S

(12) **United States Design Patent**
Fahrendorff et al.

(10) **Patent No.:** **US D610,993 S**

(45) **Date of Patent:** **** Mar. 2, 2010**

(54) **PLUG**

(75) Inventors: **Anders Fahrendorff**, Ottawa (CA);
Todd Andrew Wood, Guelph (CA); **Ian James Murchison**, Ottawa (CA); **Dustin Jonathan Smith**, Kitchener (CA)

(73) Assignee: **Research In Motion Limited**, Waterloo (CA)

(**) Term: **14 Years**

(21) Appl. No.: **29/339,039**

(22) Filed: **Jun. 23, 2009**

(51) **LOC (9) Cl.** **13-03**

(52) **U.S. Cl.** **D13/138.1**

(58) **Field of Classification Search** D13/138.1,
D13/138.2, 139.1, 139.2, 139.3, 139.4, 139.5,
D13/139.6, 139.7, 139.8, 137.1, 137.2, 137.3,
D13/137.4, 133, 107, 108, 110, 123, 146,
D13/147, 149, 151, 154; D14/240, 256,
D14/217, 433; 174/494, 67, 202, 206, 53,
174/59; 439/35, 222, 249, 919, 909, 171,
439/518, 956, 105, 53, 63, 106, 136, 149,
439/266, 300, 373, 654, 660, 907; 320/111,
320/114; 363/146

See application file for complete search history.

(56) **References Cited**

U.S. PATENT DOCUMENTS

D375,080 S * 10/1996 Sandor et al. D13/138.2
D405,765 S * 2/1999 Yu D13/160
D407,066 S * 3/1999 Renk D13/110
5,998,964 A * 12/1999 Martensson 320/111

D436,078 S * 1/2001 Korte D13/134
D479,823 S * 9/2003 Andre et al. D13/110
D526,272 S * 8/2006 Säde et al. D13/108
D536,303 S * 2/2007 Suckle et al. D13/138.2
D543,147 S * 5/2007 Ng D13/138.1
D579,410 S * 10/2008 Hanada et al. D13/110
D596,572 S * 7/2009 Wu et al. D13/138.1
2002/0118561 A1 * 8/2002 Katayama et al. 363/146
2004/0129444 A1 * 7/2004 Adams et al. 174/67
2009/0284221 A1 * 11/2009 Liao 320/111

* cited by examiner

Primary Examiner—Jennifer Rivard

Assistant Examiner—Angela J Lee

(57) **CLAIM**

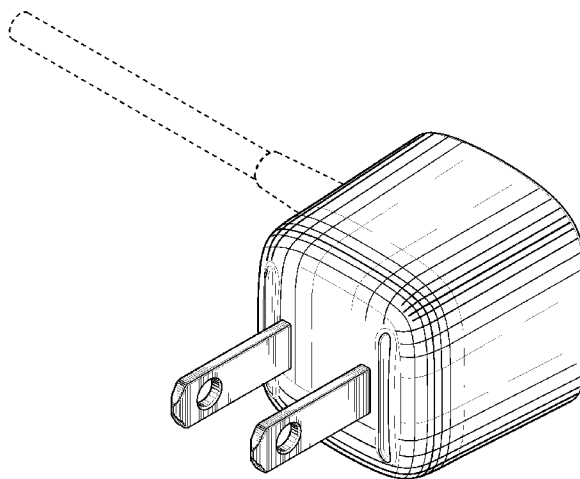
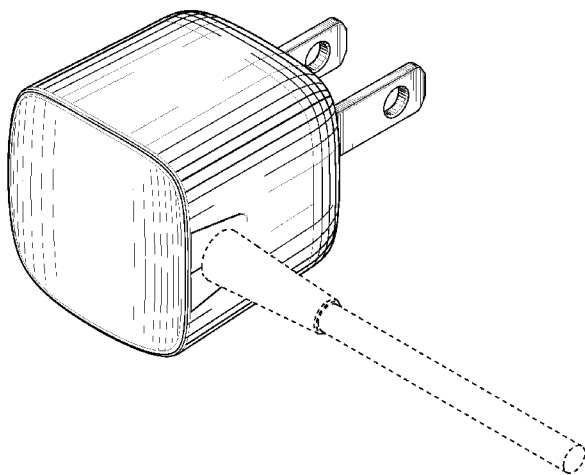
We claim the ornamental design for a plug, as shown and described.

DESCRIPTION

FIG. 1 is a front perspective view of a plug;
FIG. 2 is a back perspective view of the plug;
FIG. 3 is a top plan view thereof;
FIG. 4 is a bottom plan view thereof;
FIG. 5 is a left elevational view thereof;
FIG. 6 is a right elevational view thereof;
FIG. 7 is a back plan view thereof; and,
FIG. 8 is a front plan view thereof.

The broken lines shown in the drawings of the plug are for the purpose of illustrating portions of the article and form no part of the claimed design.

1 Claim, 4 Drawing Sheets



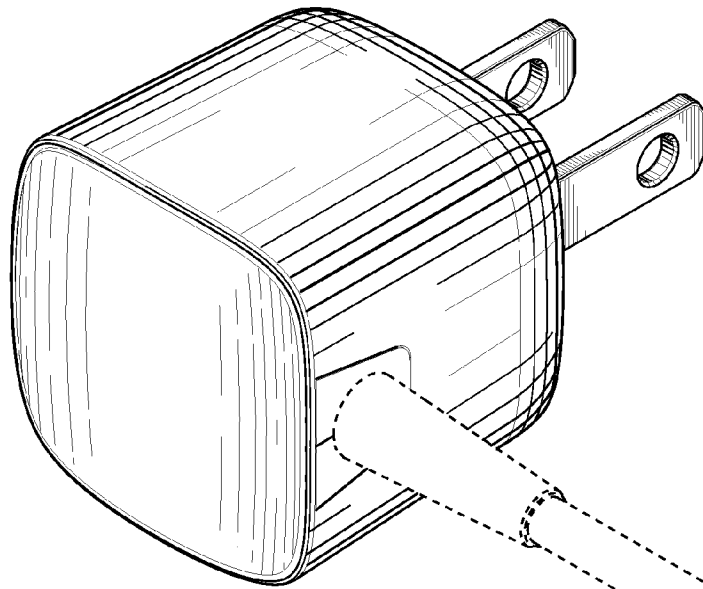


FIG. 1

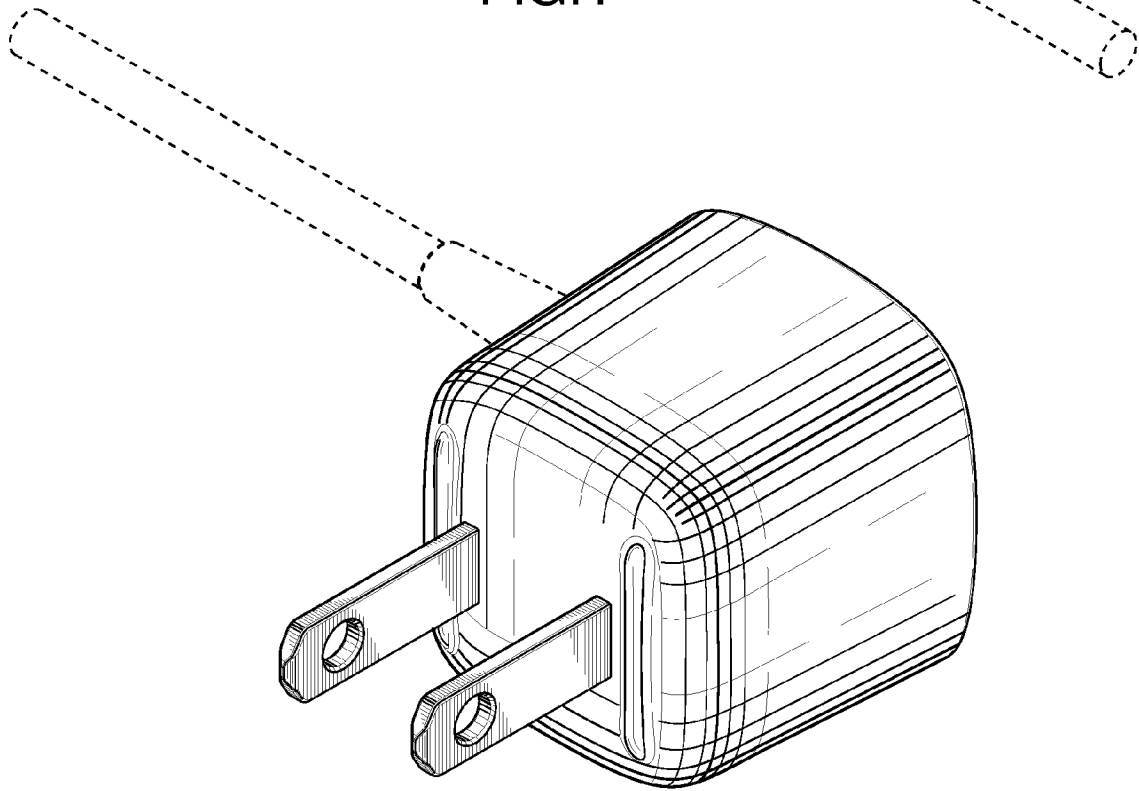


FIG. 2

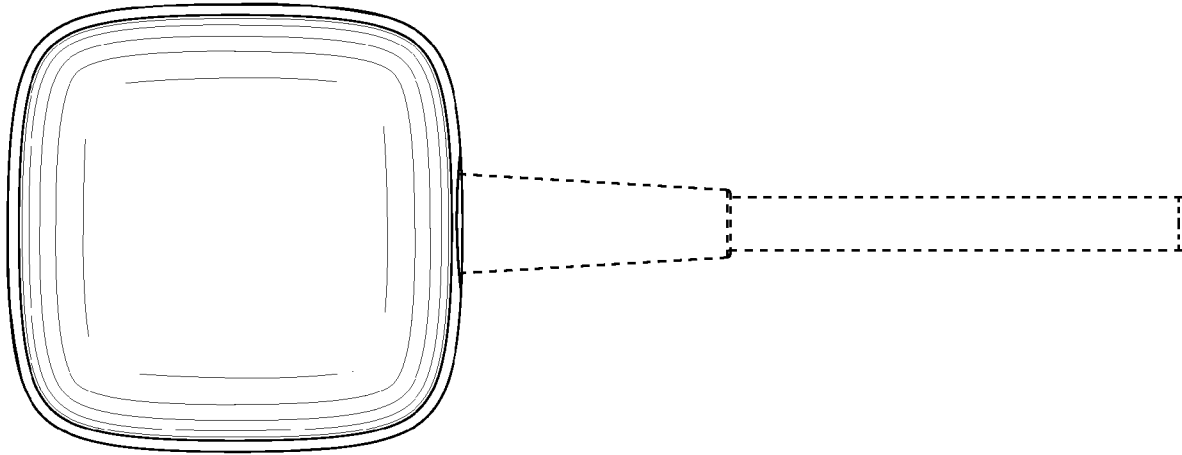


FIG.3

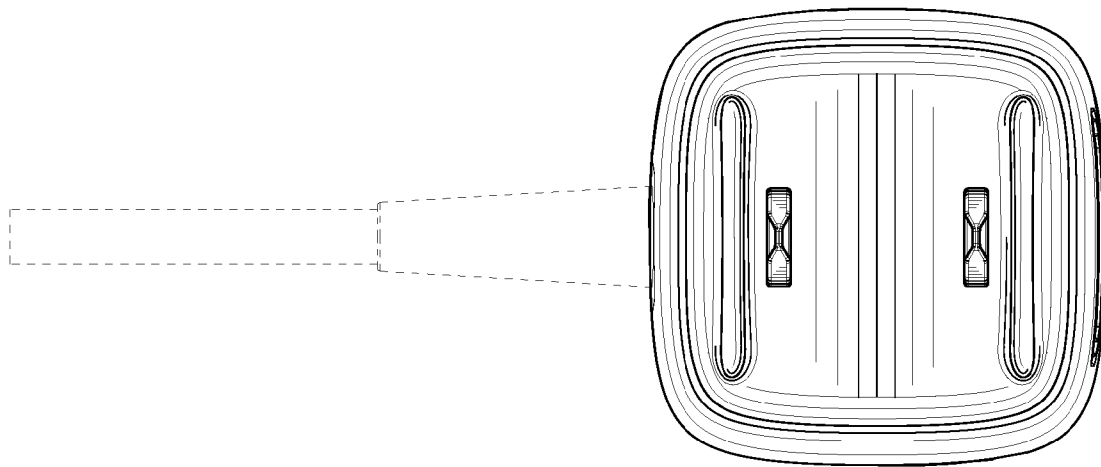


FIG.4

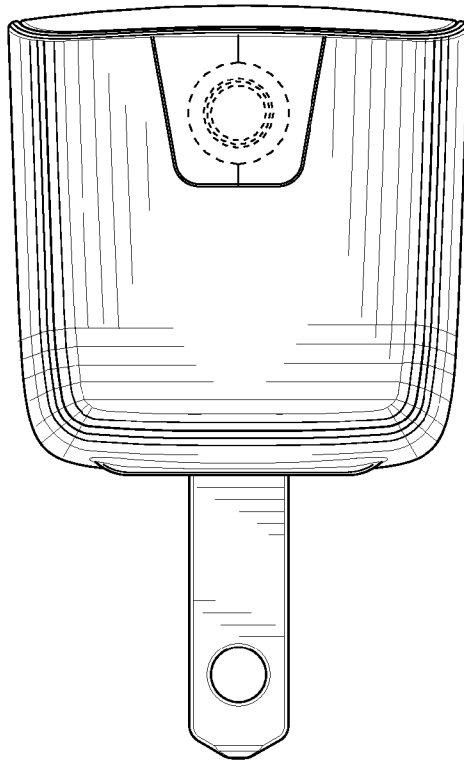


FIG.5

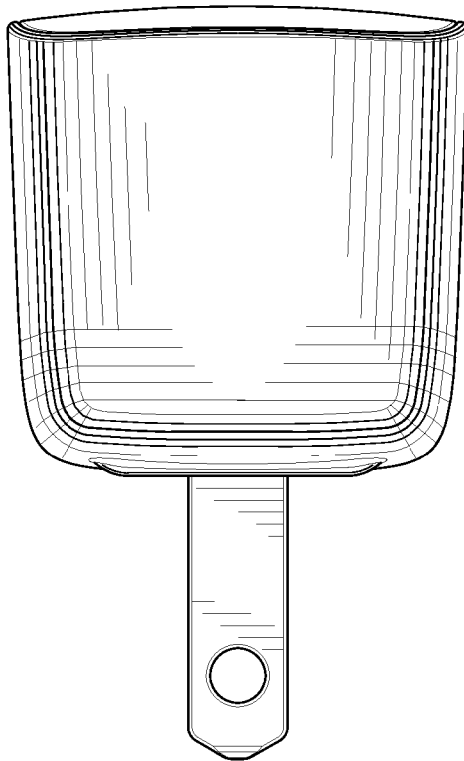


FIG.6

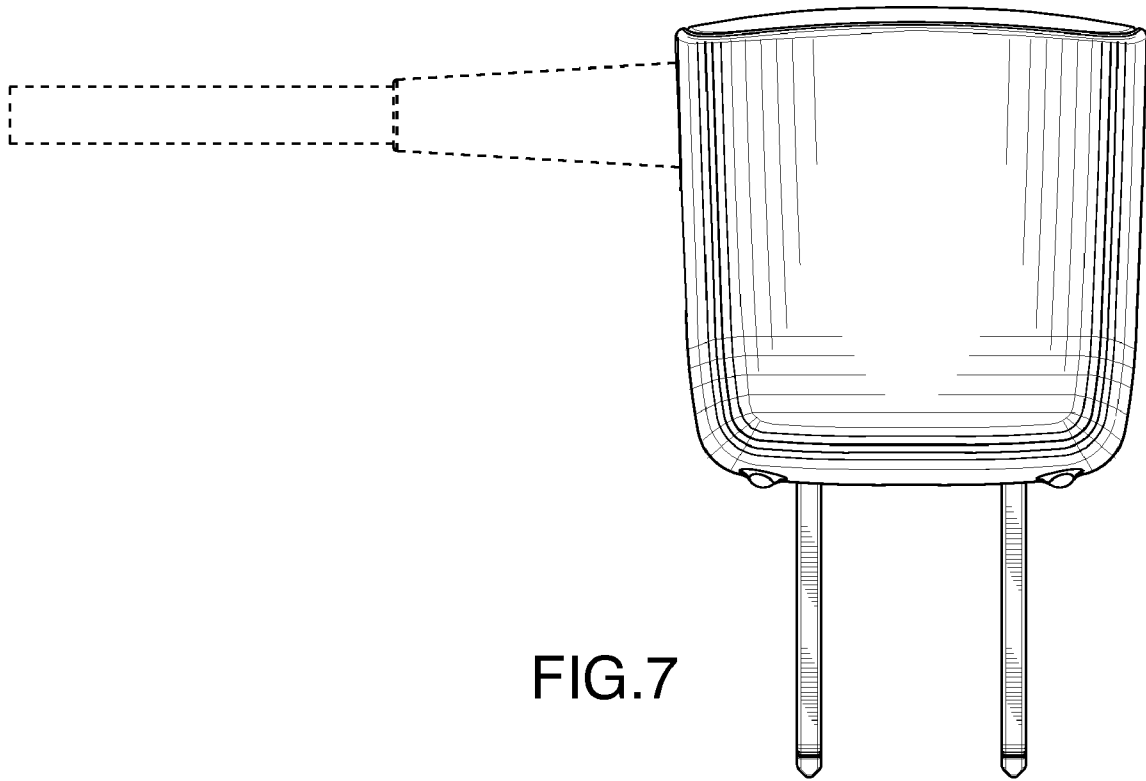


FIG. 7

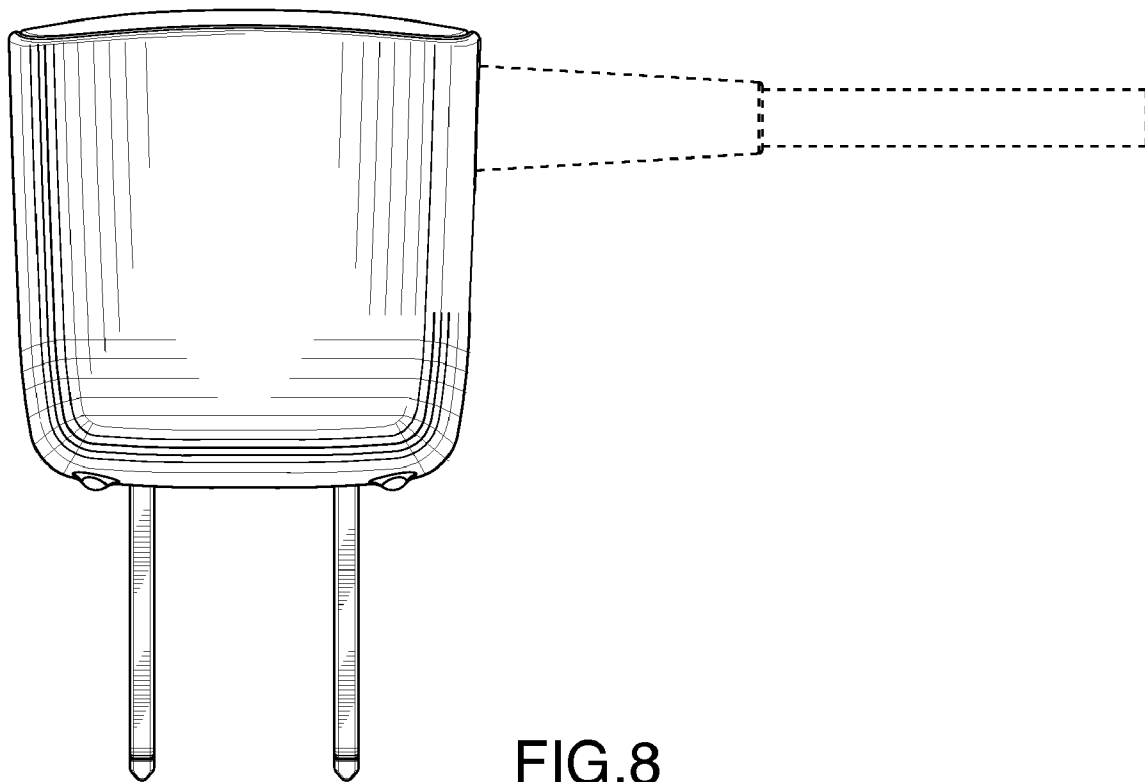


FIG. 8