



US0D1023661S

(12) **United States Design Patent**
Rathery

(10) **Patent No.:** **US D1,023,661 S**

(45) **Date of Patent:** **** Apr. 23, 2024**

- (54) **CHAFING TRAY COVER**
- (71) Applicant: **Eileen Rathery**, Lauderdale Lakes, FL (US)
- (72) Inventor: **Eileen Rathery**, Lauderdale Lakes, FL (US)
- (**) Term: **15 Years**
- (21) Appl. No.: **29/765,507**

D237,849 S *	12/1975	Hale	D6/678.3
6,520,354 B1 *	2/2003	Skvorecz	A47J 36/2477
			248/153
D626,377 S *	11/2010	Contreras	D7/355
D806,462 S *	1/2018	Zhang	D7/332
D807,116 S *	1/2018	Fariello	D7/366
D809,341 S *	2/2018	Fariello	D7/366
D860,728 S *	9/2019	Hubert	D7/409
D865,929 S *	11/2019	Hughes	D23/332
10,478,014 B2 *	11/2019	Revely, III	A47J 36/24
2021/0137308 A1 *	5/2021	Craig	F24C 15/36
2022/0192420 A1 *	6/2022	Hunt	A47J 36/2405

- (22) Filed: **Jan. 8, 2021**
- (51) **LOC (14) Cl.** **09-04**
- (52) **U.S. Cl.**
USPC **D7/366; D3/306**
- (58) **Field of Classification Search**
USPC D3/272, 304, 305, 307-314, 318-319, D3/321, 323, 901; D9/414, 416, D9/431-432, 435, 444, 455, 460, 499, D9/517, 518, 522, 702-714, 719, D9/738-740; D7/323, 332, 335-337, D7/354-355, 359-365, 366, 387-388, D7/396.1, 396.6, 402, 403, 407-409
CPC A45C 3/04; A45C 3/10; A45C 7/0077; A47B 43/00; A47B 43/003; A47B 46/021; A47B 55/00; A47B 55/002; A47B 57/00; A47B 57/14; A47B 57/16; A47B 57/20; A47B 73/008; A47B 87/0284; B65D 1/00; B65D 1/22; B65D 1/24; B65D 1/34; B65D 1/36; B65D 1/38; B65D 1/225; B65D 1/243; B65D 11/1893; B65D 21/0213; B65D 31/00; B65D 31/04; B65D 31/10; B65D 33/00; B65D 33/02; B65D 33/06; B65D 33/065; B65D 33/14; B65D 33/1683; B65D 33/12; B65D 33/24; B65D 43/0218
See application file for complete search history.

OTHER PUBLICATIONS

“Sterno WindGuard”, [Posted Online on amazon.com], [First Available at Oct. 11, 2012], [Retrieved Online on Jun. 1, 2023], <https://www.amazon.com/Sterno-70100-WindGuard-Stackable-Chafing/dp/B00S846TOQ> (Year: 2012).*

* cited by examiner

Primary Examiner — Michelle E. Wilson
Assistant Examiner — Christopher John Suarez La Rosa
(74) *Attorney, Agent, or Firm* — ALBERT BORDAS P.A.

(57) **CLAIM**

The ornamental design for a chafing tray cover, as shown and described.

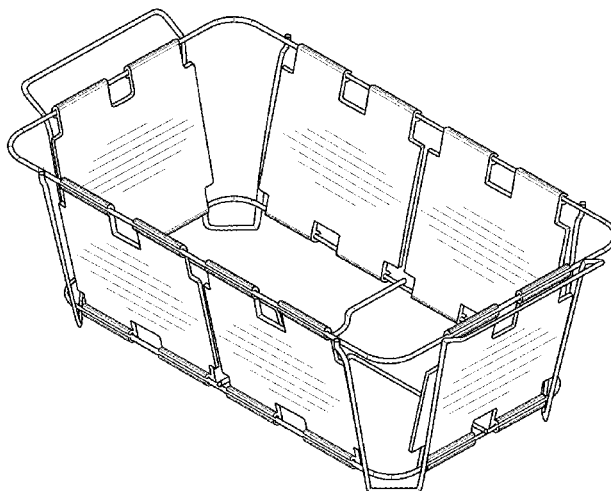
DESCRIPTION

FIG. 1 is a top plan view of a chafing tray cover; FIG. 2 is a front elevational view thereof, the rear elevational view being a mirror image thereof; FIG. 3 is a bottom view thereof; FIG. 4 is a right-side elevational view thereof, the right-side elevational view being a mirror image thereof; and, FIG. 5 is an enlarged isometric view thereof.

1 Claim, 2 Drawing Sheets

(56) **References Cited**
U.S. PATENT DOCUMENTS

D178,601 S *	8/1956	Gilardi	D3/306
3,297,166 A *	1/1967	Summers	A47J 37/0786
			211/70.1



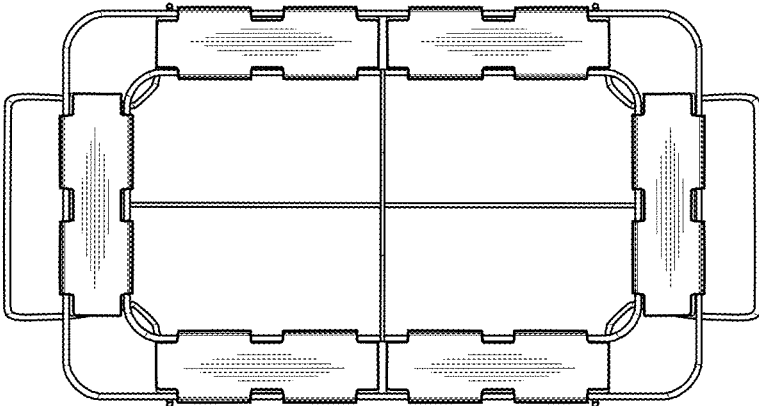


Fig. 1

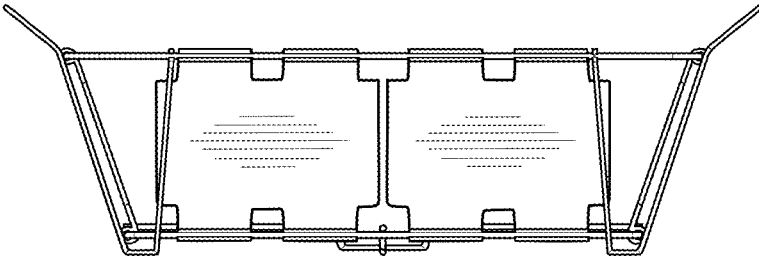


Fig. 2

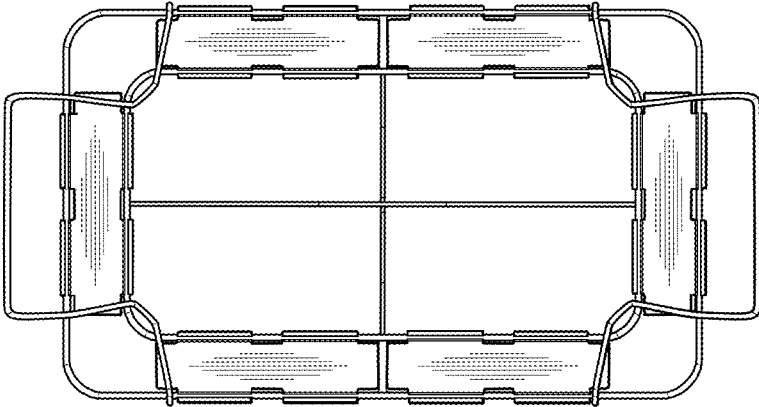


Fig. 3

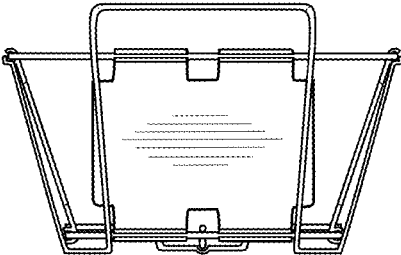


Fig. 4

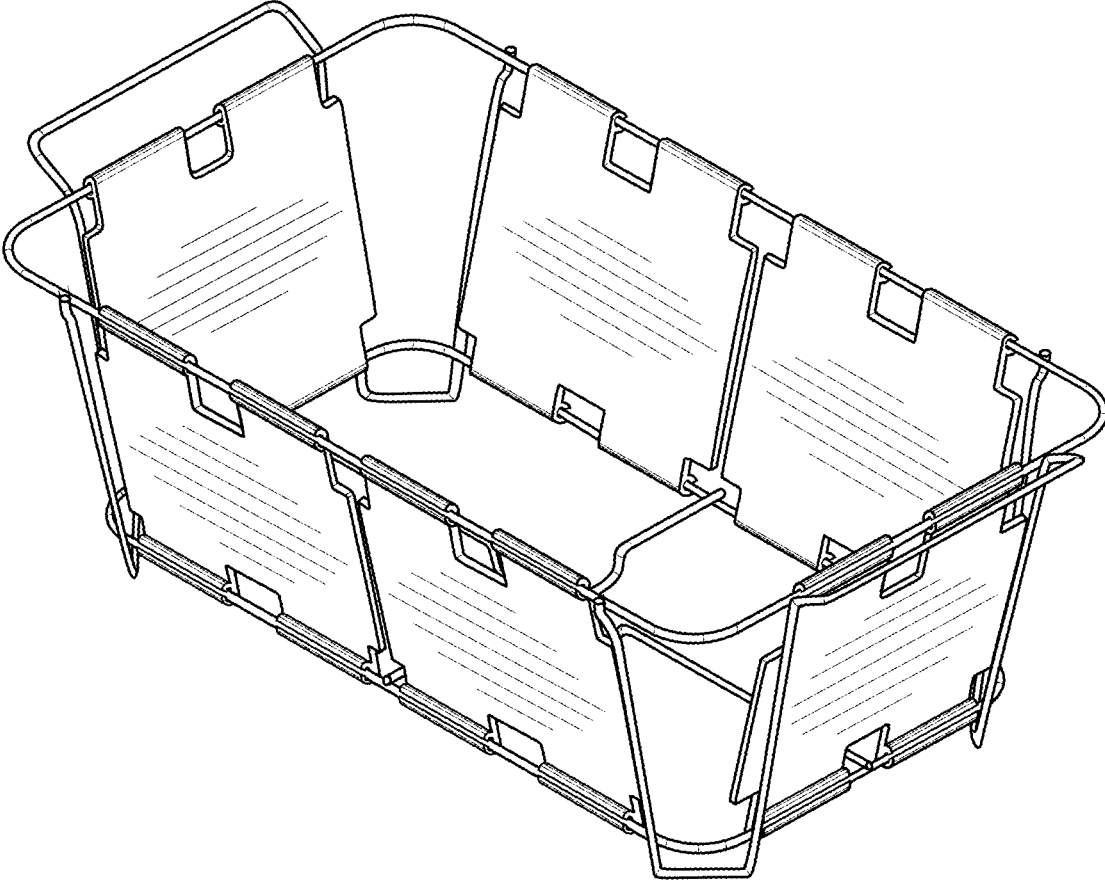


Fig. 5