

(19)  
(12)

(KR)  
(A)

(51) 。 Int. Cl. 7  
H04L 12/433

(11)  
(43)

2002 - 0081954  
2002 10 30

(21) 10 - 2001 - 0021597  
(22) 2001 04 21

(71) 20 LG

(72) 1109 - 4 612 1107  
419 - 1501

(74)  
:

(54) H S D P A

3GPP (UMTS) HSDPA(High Speed Downlink Packet Access)  
(MAC) (RLC) , MAC RLC 가  
HSDPA 3  
HSDPA  
(MAC) 가 H S D P A , (MAC) ; RLC 가  
;

10

1 3GPP UMTS( )

- 2 3GPP
- 3 3GPP
- 4 UTRAN RLC MAC
- 5 RLC RLC
- 6 HSDPA MAC
- 7 HSDPA
- 8 HSDPA MAC MAC
- 9 HSDPA RLC RLC
- 10 HSDPA
- 11 가 RLC PDU RLC (MAC )
- 12 가 RLC PDU MAC (RLC )

3GPP (UMTS) HSDPA(High Speed Downlink Packet Access)  
 (MAC) (RLC) , MAC RLC 가  
 HSDPA 3

RLC (MAC) RNC B (MAC) 가  
 LC PDU MAC RLC PDU , RLC 가 R  
 HSDPA

ARIB, ETSI, T1, TTA TTC 3 (Third  
 Generation Partnership Project ; , 3GPP )  
 3

3GPP GSM (Global System for Mobile Communications)  
 CDMA (Code Division Multiple Access : )

3GPP (Technical Specification G  
 groups; , TSG ) , TSG  
 (RAN : Radio Access Network) 3  
 UMTS (Universal Mobile Telecommunications N  
 etwork Terrestrial Radio Access Network; , UTRAN ) ,

TSG - RAN (Plenary) 4 (Working Group) 1  
 (WG1:Working Group 1) ( 1 ) , 2 (WG2 :Working Group  
 2) ( 2 ) ( 3 ) , 3 UTRAN  
 (Radio Network Controller; , RNC ) (Core Network)  
 , 4

1 3GPP UMTS( )  
 (UE)(10) , (MS,Mobile Station) , (20a)(Node B) (20b)  
 (RNC; Radio Network Controller) (20c)(BSM, Base Station Manager)  
 (20)(UTRAN,Universal Terrestrial Radio Access Network)

RNC (Node B)

2 3GPP

(User Equipment) UTRAN , (Signaling) (Control Plane)  
 (User Plane)

, RRC ) 2 , 3 (Radio Resource Control Layer;  
 (Medium Access Control Layer; , MAC ) (Radio Link Control Layer; , RLC )  
 , 1

2 RLC MAC ,

(Information Transfer Service)

MAC 가 (Transport Channel) , MAC

Common Transport channel)

(DTCH)(Dedicated Transport Channel) (CTCH)(Co

MAC RLC (Logical Channel) ,

(Control Channel) ,

(Traffic Channel)

, MAC , MAC

MAC

RRC가

RLC (Service Data Unit; , SDU ) RLC (Segmentation and Reassembly)

RLC SDU RLC 가 (Header) 가 (Protocol Data Unit; , PDU ) MAC , RLC RL C PDU RLC 가 .

RRC (Information broadcast service)

3 , UTRAN ,

, RRC (Radio Access Bearer) , , ( , ) .

, UTRAN

3 (Node) 1 .

Node B , .

Node B RNC , RNC . Node B RNC RNC(Control RNC) , CRNC .

(Dedicated Radio Resources) RNC(Serving RNC) , RNC

RNC(CRNC) RNC(SRNC) 가 RNC , RNC RNC RNC

Node B RNC Iub , RNC Iur .

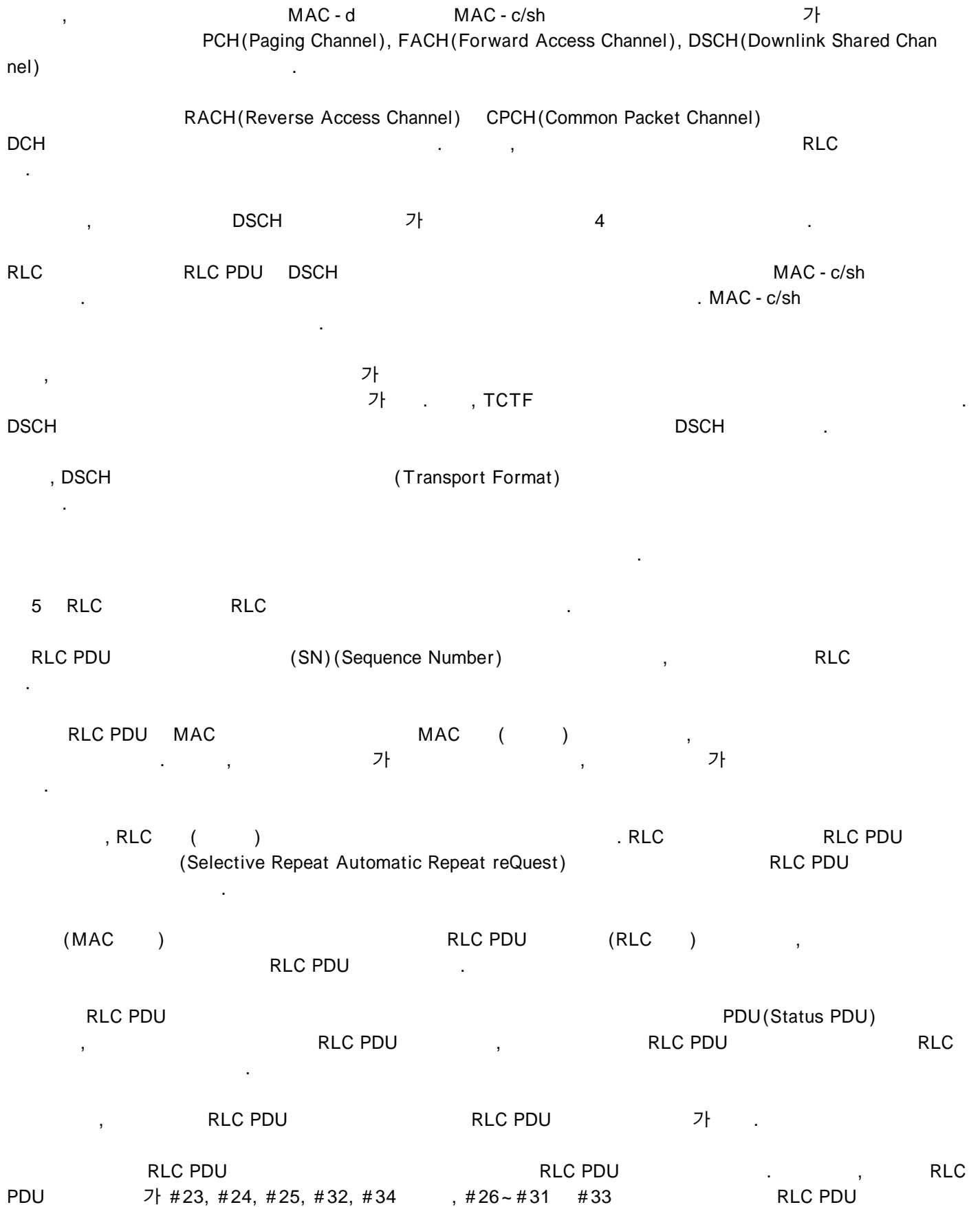
MAC MAC - d MAC - c/sh . MAC - d 3 R NC (CTCH) (DTCH) , MAC - c/sh RNC

MAC - c/sh , M AC - d

4 UTRAN RLC MAC .

MAC 가 , RLC 가 RLC RLC PDU PDU

MAC - d RLC PDU 가 DCH(Dedicated Channel) MAC - d



RLC PDU , RLC PDU , RLC PDU , PDU ,

(State Variables)

5 RLC VT(S), VT(A)

VT(S) PDU RLC PDU , VT(A) (Positive A  
 cknowledgment) PDU 가 RLC PDU , VT(A) PDU

가 RLC PDU

3GPP 2 (High Speed Data Packet Access; , HSDPA 가 )  
 DSCH , HSDPA 가 )  
 가 RLC RNC , Node B

Node B MAC Node B 가

HSDPA (Hybrid Automatic Repeat reQuest; , HARQ ) ,  
 (Adaptive Modulation and Coding; , AMC ) FCS(Fast Cell  
 Site Selection)

가

ms , HSDPA RLC 가 RNC , RNC Node B ms~  
 가

HSDPA Node B MAC MAC , RNC

6 HSDPA MAC , 3GPP DSCH  
 , HSDPA DSCH HS - DSCH (HSDPA Dow  
 nlink Shared Channel)

가 ( ) Node B MAC HS - DSCH

MAC HS - DSCH MAC - c/sh , HARQ 가 . RLC  
 RLC PDU MAC - d MAC - c/sh MAC HS - DSCH  
 ( ) ( , MAC HS - DSCH MAC )

HARQ MAC , MAC HS - DSCH " H  
 ARQ" . HARQ MAC 가 , HARQ . MA  
 C MAC PDU RRC , MAC RLC  
 가 .

7 HSDPA . RLC MAC - d, MAC - c/sh  
 3GPP , Node B MAC HS - DSCH 가 .

HSDPA Node B MAC Node B 가  
 , MAC 가 ,  
 RLC , MAC

, HSDPA MAC

, MAC RLC HSDPA 가 MAC  
 가 , RLC RLC MAC 가

, MAC RLC MAC RLC  
 VT(S) VT(A) , MAC RLC  
 가

(MAC) 가 HSDPA , (MAC)  
 ; RLC ; RLC  
 가

(MAC) Node B 가  
 가 , MAC PDU 가 가

RLC RLC

MAC PDU MAC  
 S) VT\_MAC(A) , VT\_MAC(M), VT\_MAC(  
 .

MAC MAC  
 RLC .

RLC RLC  
 RLC PDU MAC MAC

MAC, RLC PDU, RLC VT(A), RLC VT(S), MAC VT(MAC\_S), MAC VT(MAC\_A), RLC VT(MAC\_M), MAC

가 RLC VT(S), RLC VT(A), RLC VT(MAC\_S), RLC VT(MAC\_A), MAC 가, RLC

가 RRC (B<sub>TH2</sub>) RLC 가 (B<sub>TH1</sub>) MAC, VT\_MAC(M), VT\_MAC(S), VT\_MAC(M), VT\_MAC(A) 가 RRC

C\_A) RLC 가 RRC (B<sub>TH2</sub>) RLC PDU MAC (B<sub>TH1</sub>) RRC, RLC, VT(MAC\_M), VT(MAC\_S), RLC PDU, VT(MA) 가 RRC

, RNC Node B RRC, RLC

HSDPA

RLC MAC, HSDPA 가 MAC 가, RLC 10

8 HSDPA RNC Node B 가 MAC .( 101).

, HSDPA MAC MAC

8

RLC RLC PDU MAC - d MAC - c/sh MAC PDU MAC

MAC PDU . ( 102). RLC PDU 가 가, MAC

MAC RLC 가, MAC MAC PDU RLC PDU

, RLC MAC

RLC, MAC .( 103).

VT\_MAC(M) : RLC MAC PDU



VT\_MAC(S) : MAC PDU

VT\_MAC(A) : MAC PDU 가 .

VT\_MAC(S) VT\_MAC(A) RLC VT(S) VT(A) . MAC  
 ( ) MAC ,  
 RLC .

MAC MAC RLC PDU  
 .( 104).

RLC MAC MAC .

RLC 8 VT(S) VT(A) RLC . ( 105).

VT(MAC\_S) : VT\_MAC(S) MAC PDU가 RLC PDU

VT(MAC\_A) : VT\_MAC(A) MAC PDU가 RLC PDU

VT(MAC\_M) : VT\_MAC(M) MAC PDU가 RLC PDU

9 HSDPA RLC RLC .

9 VT(S) VT(A) 가 RLC PDU가  
 , RLC 가 . ( 106).

9 MAC PDU VT(S) , VT(S)가 VT(MAC\_S)  
 가 . 가 , VT(A) VT(MAC\_A) 가 .

VT(S) VT(A) RLC PDU , VT(M  
 AC\_S), VT(MAC\_A), VT(MAC\_M) MAC .

, VT(S) 가 VT(MAC\_S) VT(MAC\_S) VT(S)  
 .( 106).

1) RLC PDU :

, VT(A) VT(S) RLC가 , VT(MAC\_A), VT  
 (MAC\_S), VT(MAC\_M) MAC MAC - STATUS - Ind .

VT(S) VT(MAC\_S) , VT(S) ≤ VT(MAC\_S) . 가 , VT(A) VT(MAC\_  
 A) VT(A) ≤ VT(MAC\_A) .

, MAC - STATUS - Ind MAC RLC PDU

, 가 VT(S) VT(A) .  
 ( 107).

2) MAC MAC :

MAC RLC VT(MAC\_A) VT(MAC\_S)  
 VT(A) VT(S) .

VT(A)=VT(MAC\_A) VT(S)=VT(MAC\_S) .

MAC RLC 가 .

MAC PDU , MAC PDU 가 R  
 LC 가 MAC PDU ( RLC PDU RLC PDU MA  
 C 가 MAC PDU가 ).

AC , , RNC Node B RRC , RLC , M .

RLC 가 MAC VT\_MAC(M) VT\_MAC(A), VT\_MAC(S)

VT\_MAC(M) VT\_MAC(A) 가 (B<sub>TH1</sub>) VT\_MAC(M) VT\_MAC(S) 가  
 (B<sub>TH2</sub>) 가 RLC

가 ( 108).  
 108 , MAC 가 RLC MAC  
 가 .

, VT(MAC\_M) VT(MAC\_A) 가 (B<sub>TH1</sub>) VT(MAC\_M) VT(MAC\_S)  
 가 (B<sub>TH2</sub>) RRC RLC PDU MAC VT(M  
 AC\_M) .( 109).

11 12 MAC RLC PDU 가 , 11 12  
 ( 108,109) .

11 , MAC MAC RLC 가 RLC PDU , 12  
 RLC RLC 가 RLC PDU MAC .

, RLC 가 N<sub>RLC</sub> , MAC 가 N<sub>MAC</sub> 가 , Modulo

, (MAC) RNC B (MAC) 가  
 RLC PDU RLC

가 RLC PDU MAC RLC HSDPA

HSDPA , Node B  
HSDPA 3GPP

(57)

1.

(MAC) ; (MAC) 가 ; RLC  
RLC  
HSDPA

2.

1 , 가 HSDP  
A

3.

2 , 가 RLC MAC PDU 가 가 R  
LC HSDP  
A

4.

1 , MAC PDU MAC  
(S) VT\_MAC(A) HSDPA , VT\_MAC(M), VT\_MAC

5.

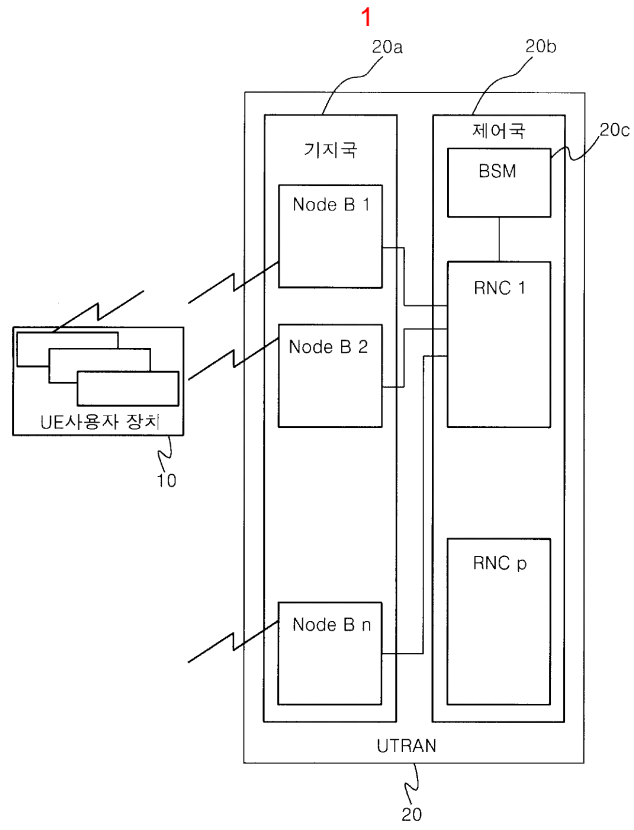
1 , MAC MAC  
RLC HSDPA

6.

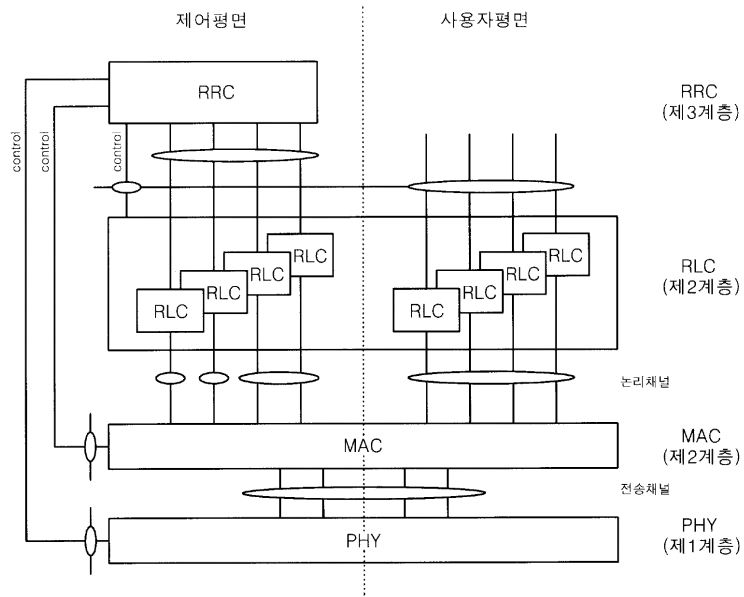
5 , RLC MAC MAC  
RLC PDU HSDPA

7.

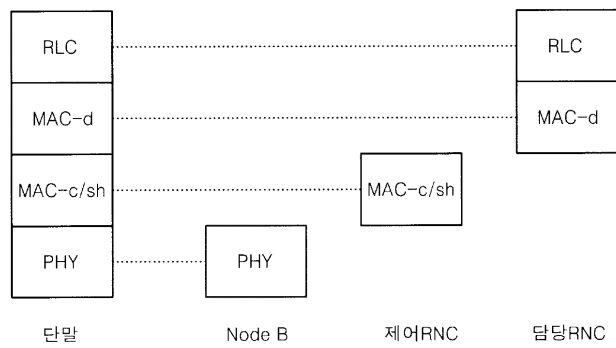




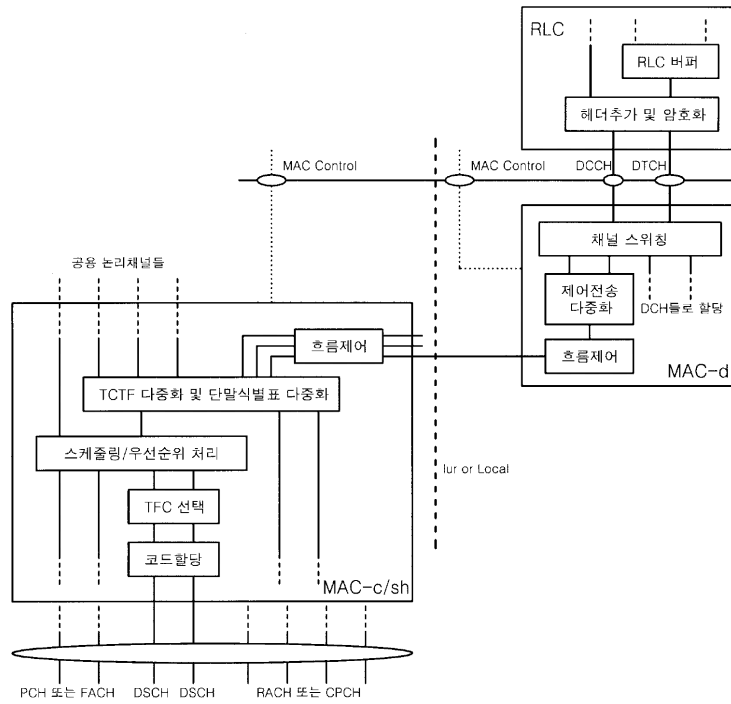
2



3



4



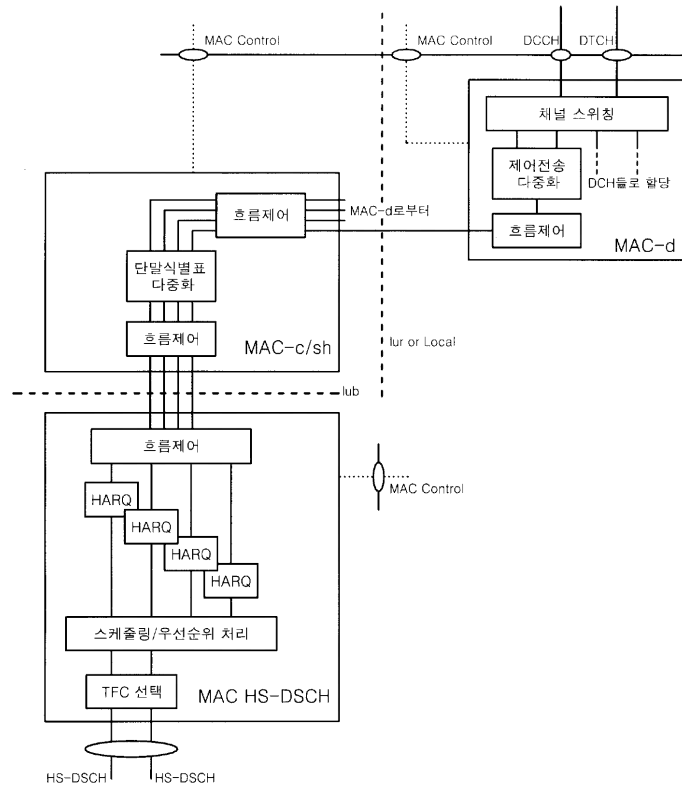
5



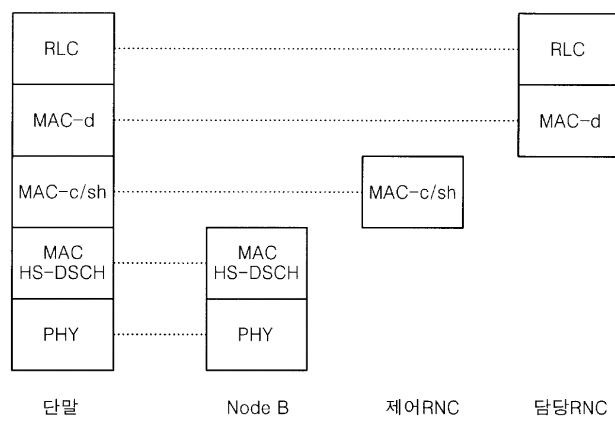
- 성공적으로 송신된 RLC PDU
- 재전송이 필요하거나 송신되지 않은 RLC PDU

VT(S) : 다음에 전송될 새로운 RLC PDU의 일련번호  
 VT(A) : 재전송이 필요한 RLC PDU중 가장 작은 일련번호

6

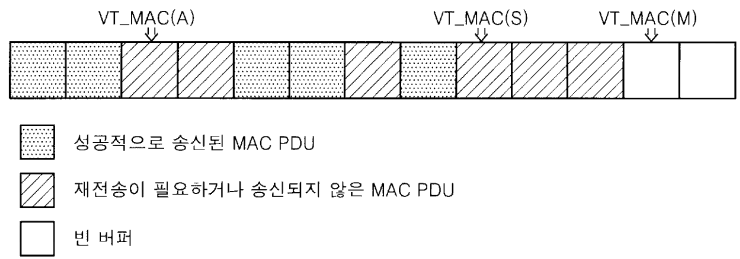


7



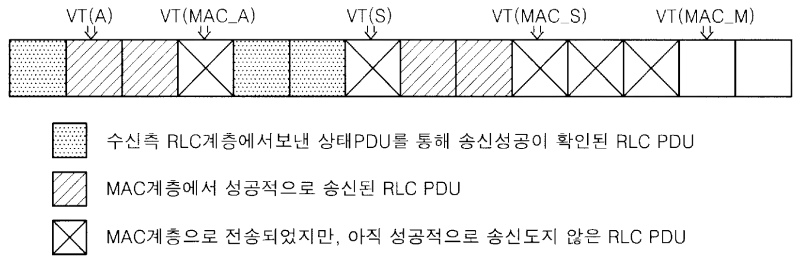


8



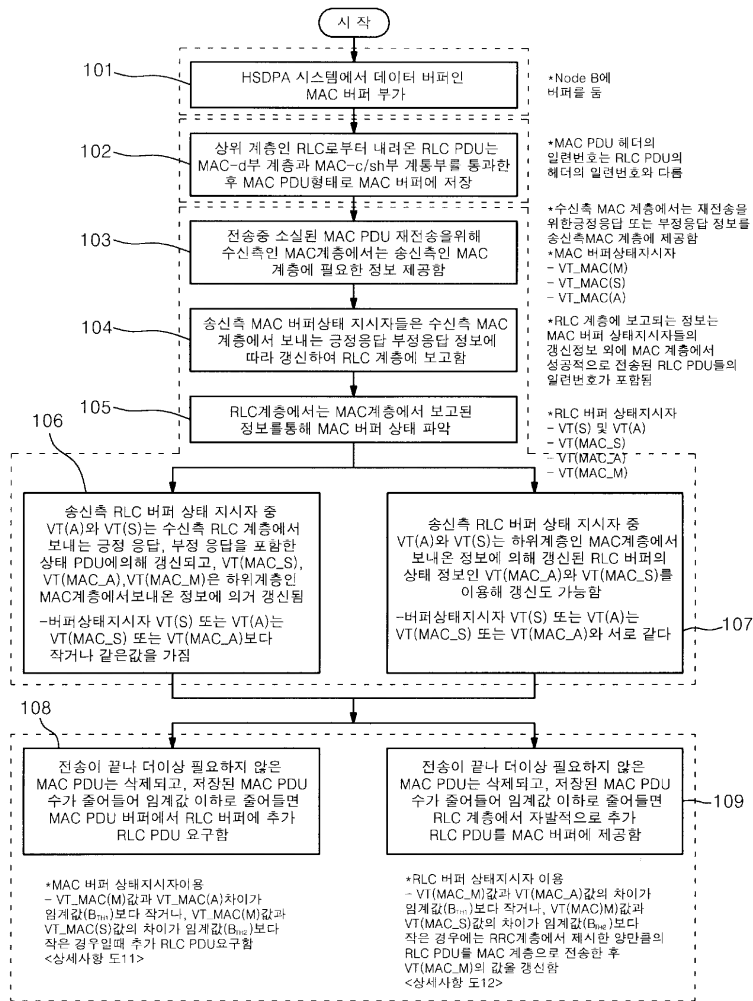
VT\_MAC(S) : 다음에 전송될 새로운 MAC PDU의 일련번호  
 VT\_MAC(A) : 재전송이 필요한 MAC PDU중 가장 작은 일련번호  
 VT\_MAC(M) : 다음에 RLC로부터 공급받을 MAC PDU의 일련번호

9

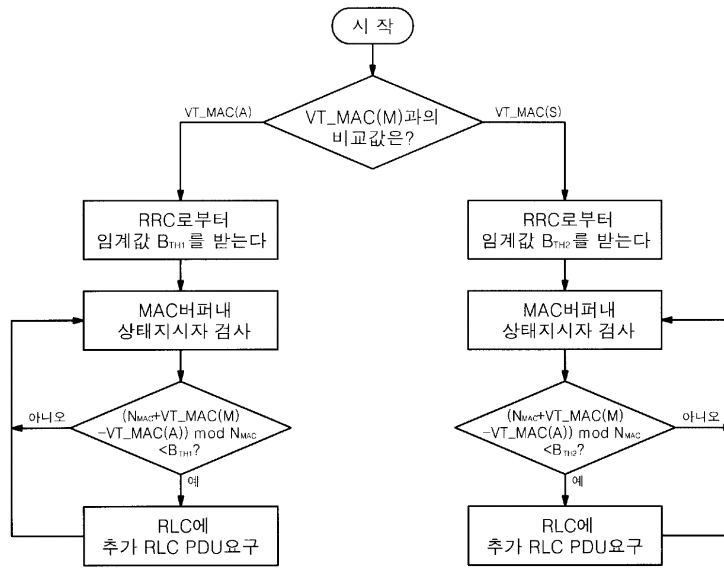


VT(S) : 다음에 전송될 새로운 RLC PDU의 일련번호  
 VT(A) : 재전송이 필요한 RLC PDU중 가장 작은 일련번호  
 VT(MAC\_S) : VT\_MAC(S)의 일련번호를 갖는 MAC PDU가 포함한 RLC PDU의 일련번호  
 VT(MAC\_A) : VT\_MAC(A)의 일련번호를 갖는 MAC PDU가 포함한 RLC PDU의 일련번호  
 VT(MAC\_M) : 다음에 MAC계층으로 전송될 RLC PDU의 일련번호

10



11



12

