



US00D782276S

(12) **United States Design Patent**  
**Dylewski, II**

(10) **Patent No.:** **US D782,276 S**

(45) **Date of Patent:** **\*\* Mar. 28, 2017**

- (54) **T-LATCH HANDLE ASSEMBLY**
- (71) Applicant: **Truck Accessories Group, LLC**,  
Elkhart, IN (US)
- (72) Inventor: **Eugene A. Dylewski, II**, Granger, IN  
(US)

- 1,544,229 A 6/1925 Edgar
- 1,584,153 A 5/1926 Sullivan
- 1,611,999 A 12/1926 Cummins
- 1,653,513 A 12/1927 Schlage
- 1,685,316 A 9/1928 Devereaux
- D85,342 S 8/1931 North
- 1,825,264 A 9/1931 Dexter

(Continued)

(73) Assignee: **Truck Accessories Group, LLC**,  
Elkhart, IN (US)

(\*\*) Term: **15 Years**

(21) Appl. No.: **29/544,123**

(22) Filed: **Oct. 30, 2015**

(51) **LOC (10) Cl.** ..... **08-07**

(52) **U.S. Cl.**  
USPC ..... **D8/331**

(58) **Field of Classification Search**  
 USPC ..... D8/330, 331, 342, 343, 344, 349;  
                   D9/434, 435, 446; 206/528, 535, 828;  
                   220/200, 203.22, 293, 361-363, 740, 334,  
                   220/339, 333; 340/572.1, 572.8, 572.9,  
                   340/539.13, 539.26, 542, 571, 693.5;  
                   411/107, 116, 176, 378, 424, 427, 436;  
                   70/50, 51, 52, 90, 101, 158, 164, 465,  
                   466;  
                   292/307 R, 307 B, 327, 251, 256, 67,  
                   303,  
                   292/911, 913, 924, 2-5, 8, 43  
 CPC . E05C 1/00; E05C 19/00; E05C 19/10; F16B  
                   31/00; F16B 31/021; F16B 41/005  
 See application file for complete search history.

(56) **References Cited**

**U.S. PATENT DOCUMENTS**

- D22,218 S 2/1893 Ditmars
- 1,525,254 A 2/1925 Simpson

**OTHER PUBLICATIONS**

U.S. Appl. No. 14/818,726, filed Feb. 11, 2016, Matre.

*Primary Examiner* — Prabhakar Deshmukh

(74) *Attorney, Agent, or Firm* — Barnes & Thornburg  
LLP

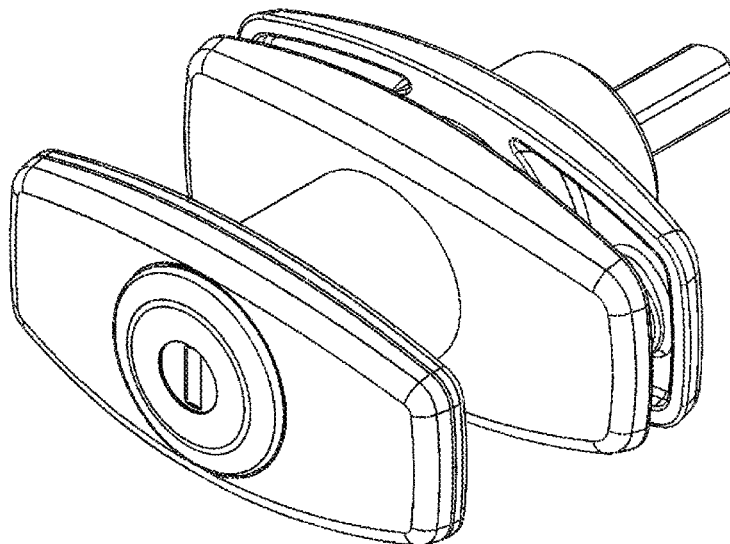
(57) **CLAIM**

The ornamental design for a T-latch handle assembly, as shown and described.

**DESCRIPTION**

FIG. 1 is a top and front perspective view of a T-latch handle assembly showing my new design;  
 FIG. 2 is another top and front perspective view thereof;  
 FIG. 3 is a bottom and front perspective view thereof;  
 FIG. 4 is another bottom and front perspective view thereof;  
 FIG. 5 is a top and rear perspective view thereof;  
 FIG. 6 is a another top and rear perspective view thereof;  
 FIG. 7 is a bottom and rear perspective view thereof;  
 FIG. 8 is another bottom and rear perspective view thereof;  
 FIG. 9 is a top plan view thereof;  
 FIG. 10 is a bottom plan view thereof;  
 FIG. 11 is a front elevational view thereof;  
 FIG. 12 is a rear elevational view thereof;  
 FIG. 13 is a right side elevational view thereof; and,  
 FIG. 14 is a left side elevational view thereof.

**1 Claim, 14 Drawing Sheets**



(56)

References Cited

U.S. PATENT DOCUMENTS

2,008,212 A	7/1935	Jarvis		5,409,278 A	4/1995	Harcourt	
D173,849 S	1/1955	Ohno		5,481,890 A	1/1996	Millman	
3,014,748 A	12/1961	Welch et al.		5,548,982 A	8/1996	Rawling	
3,075,797 A	1/1963	Patriquin et al.		6,422,049 B1 *	7/2002	Jenks .....	E05B 5/003 292/336.3
3,128,115 A	4/1964	Patriquin et al.		6,502,868 B1	1/2003	Laspa et al.	
D199,410 S	10/1964	Russell		6,530,250 B1	3/2003	Linares et al.	
3,785,687 A	1/1974	Yulkowski		6,564,597 B1	5/2003	Stillwagon	
3,843,173 A	10/1974	Harrell		6,581,986 B2 *	6/2003	Roatis .....	E05B 17/0029 292/199
4,343,502 A	8/1982	Nelson		6,651,467 B1	11/2003	Weinerman	
4,552,001 A *	11/1985	Roop .....	E05B 5/003 70/208	6,832,499 B2	12/2004	Stillwagon	
4,728,133 A	3/1988	Valley		6,866,442 B1 *	3/2005	Petersen .....	E02D 29/1427 220/324
4,835,998 A *	6/1989	Steinbach .....	E05B 5/003 70/207	D607,301 S *	1/2010	Chen .....	D8/331
4,899,561 A	2/1990	Myers		7,918,111 B2 *	4/2011	Uliano .....	E05B 67/36 70/2
5,038,588 A *	8/1991	Hall .....	E05B 5/003 70/208	8,087,272 B1	1/2012	Korban	
5,067,758 A	11/1991	Fann et al.		8,336,931 B2	12/2012	Cotton et al.	
5,149,155 A	9/1992	Caeti et al.		D716,738 S *	11/2014	York .....	D13/147
5,190,327 A	3/1993	Lin		D722,261 S *	2/2015	Myers .....	D8/331
5,272,894 A	12/1993	Stillwagon et al.		8,960,740 B2	2/2015	Huang et al.	
				D756,744 S *	5/2016	Weisshaupt .....	D8/331
				2016/0040453 A1	2/2016	Matre	

\* cited by examiner

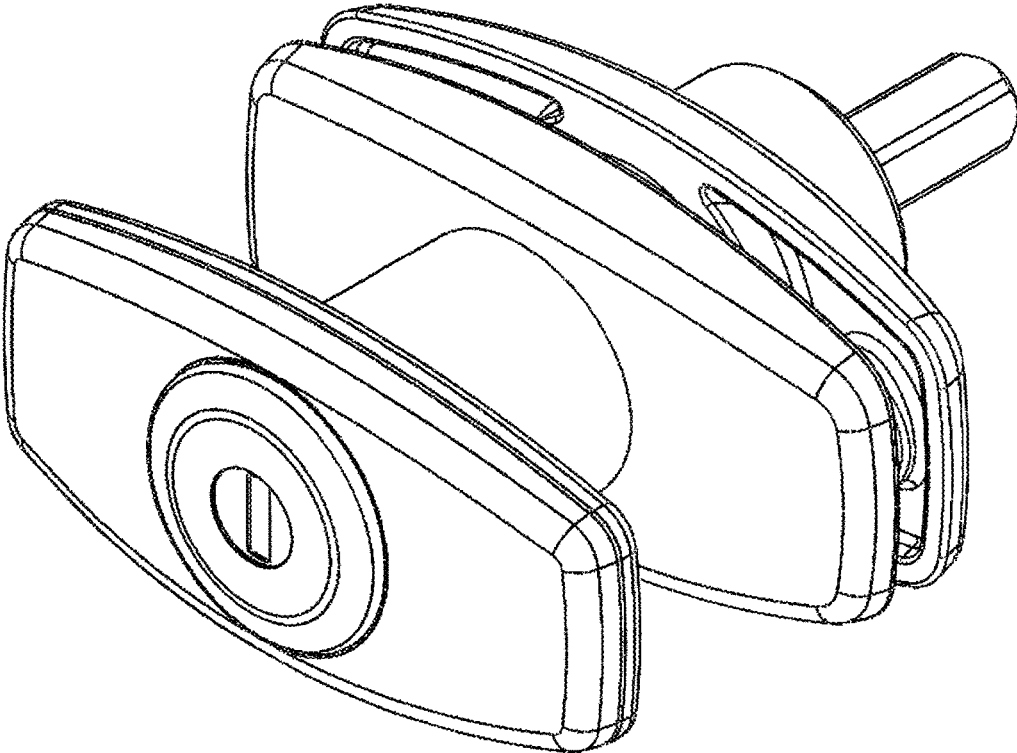


Fig. 1

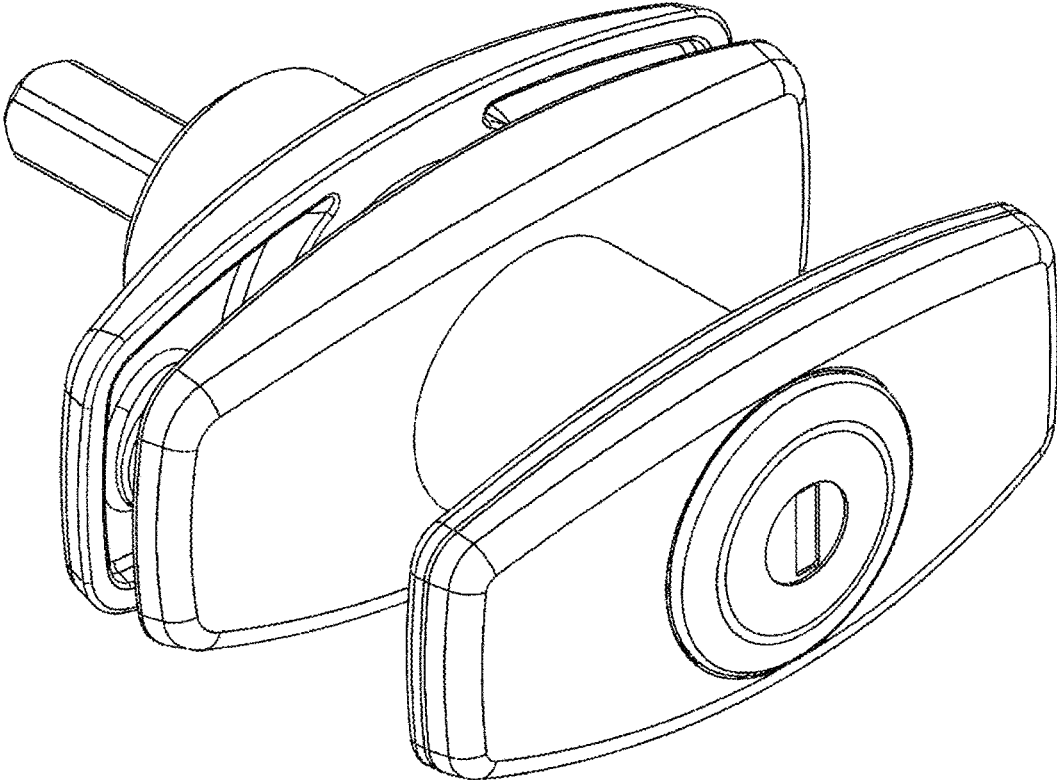


Fig. 2

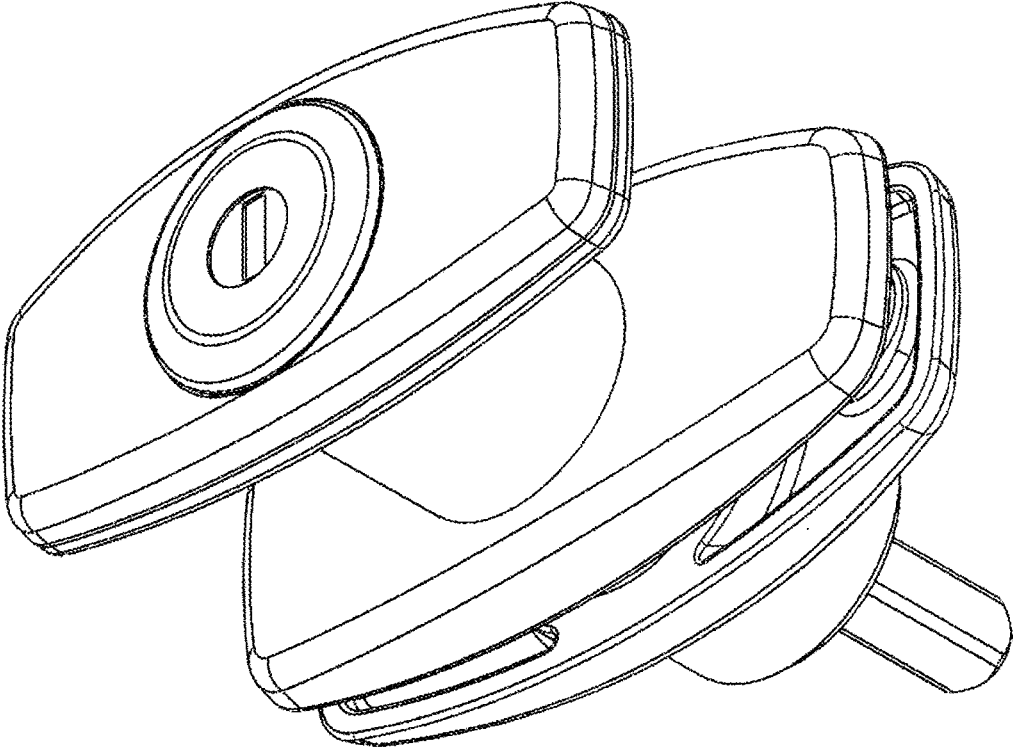


Fig. 3

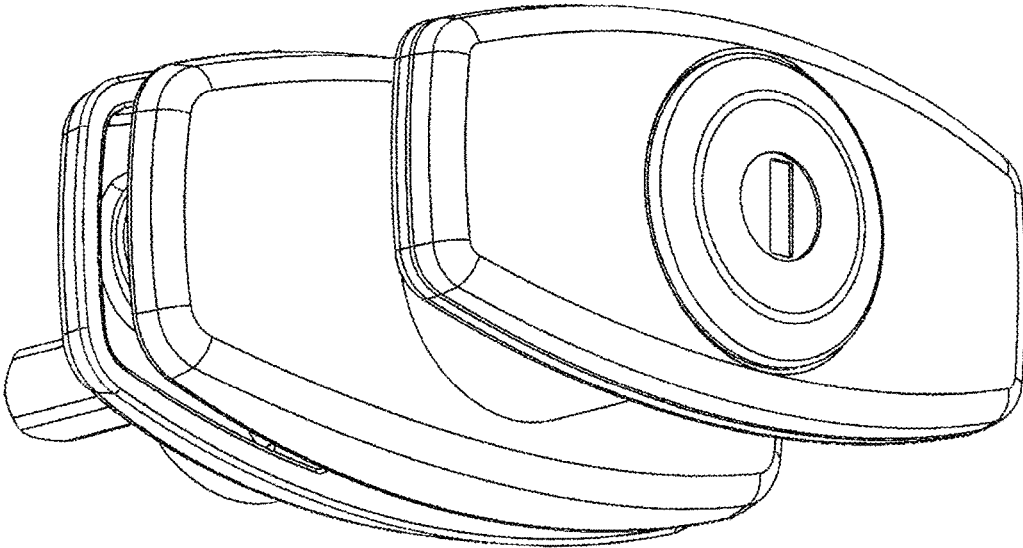


Fig. 4

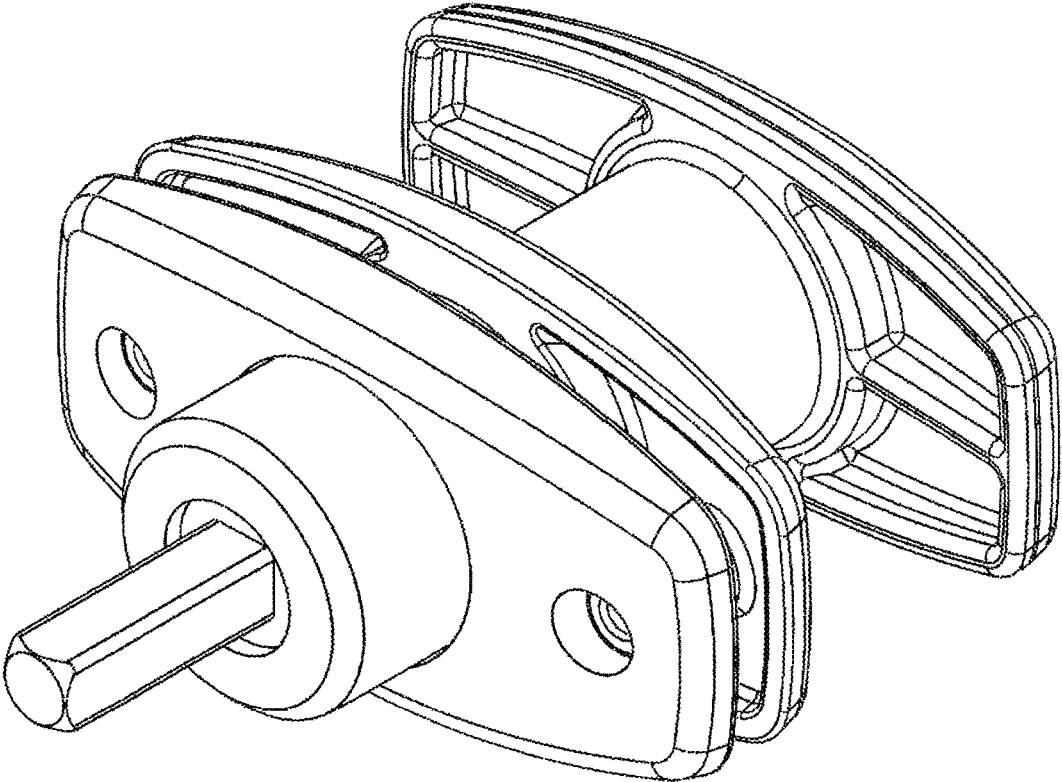


Fig. 5

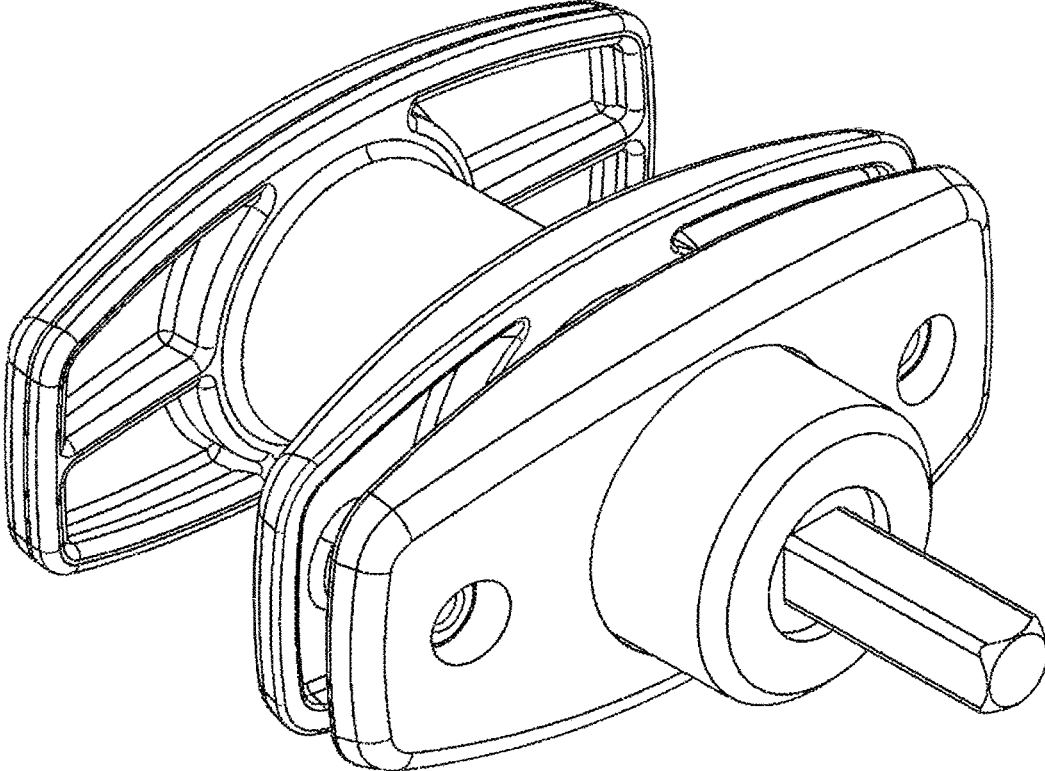


Fig. 6



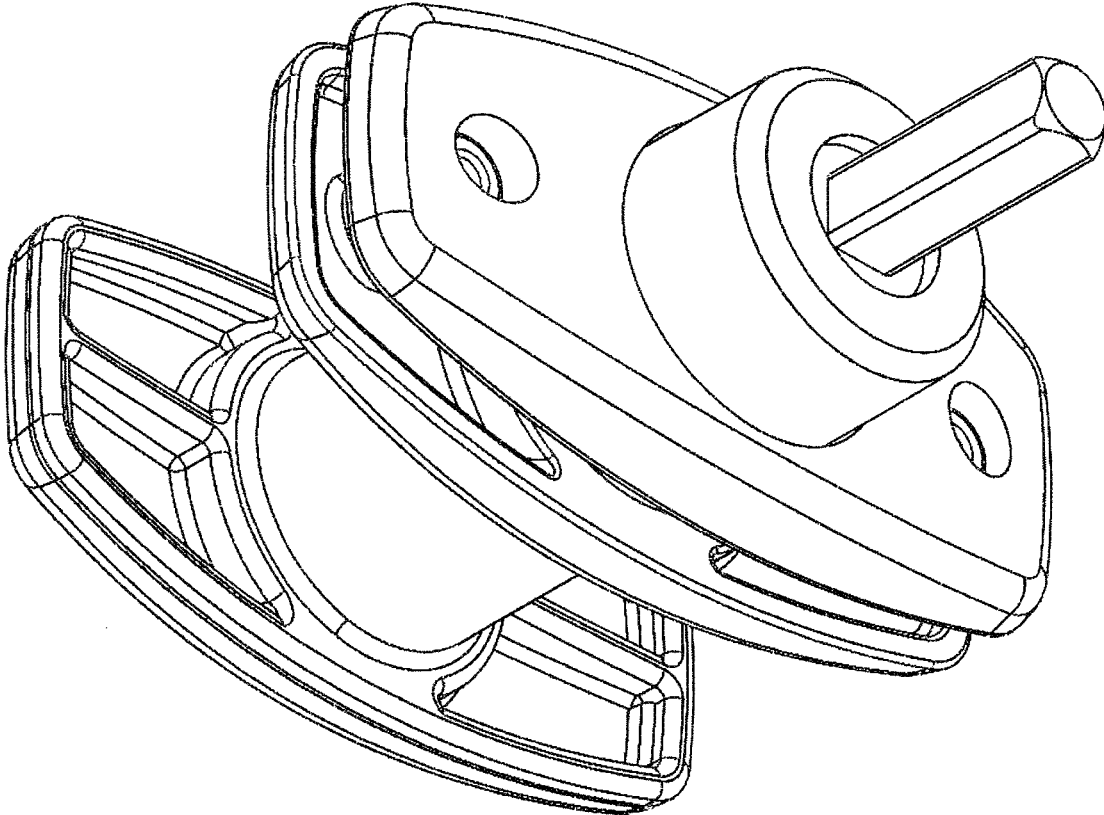


Fig. 7

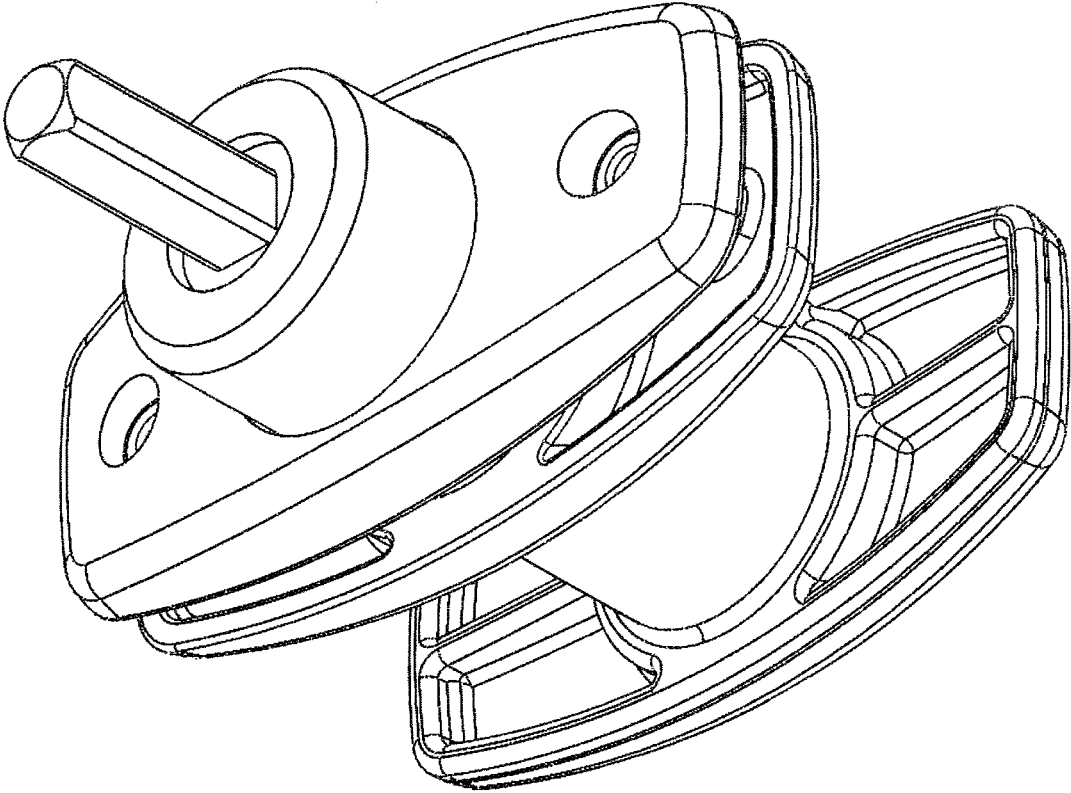


Fig. 8

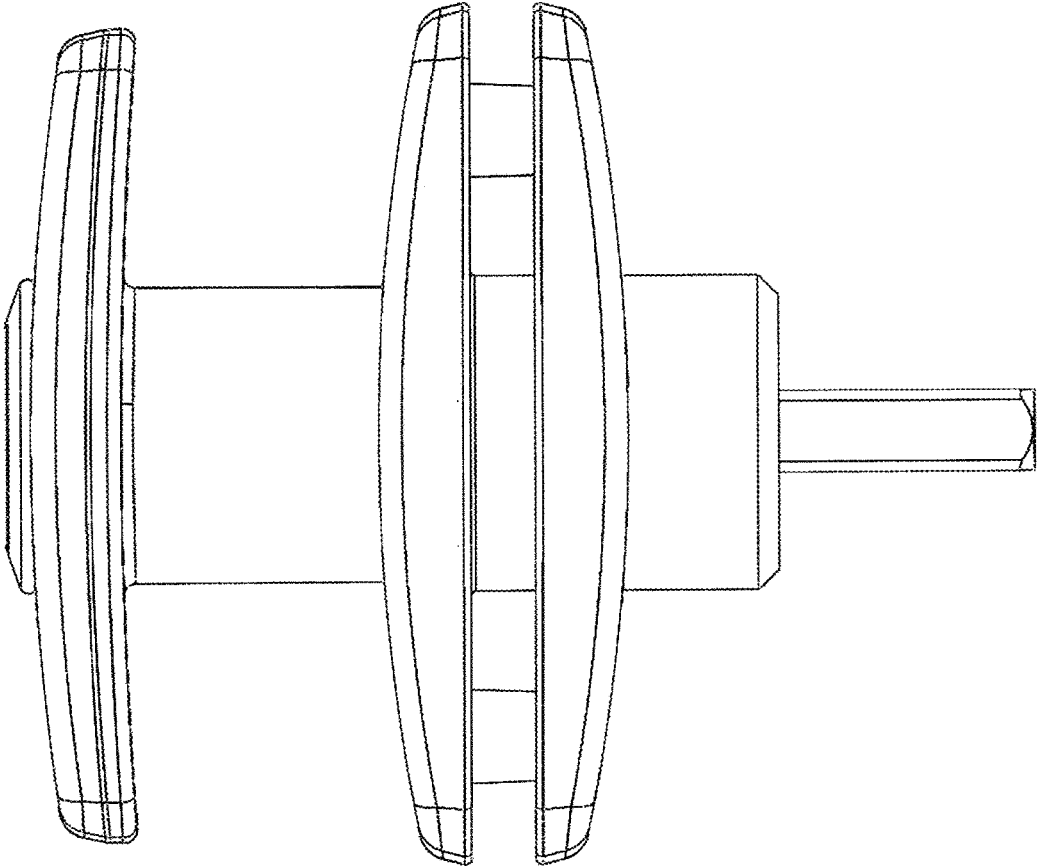


Fig. 9

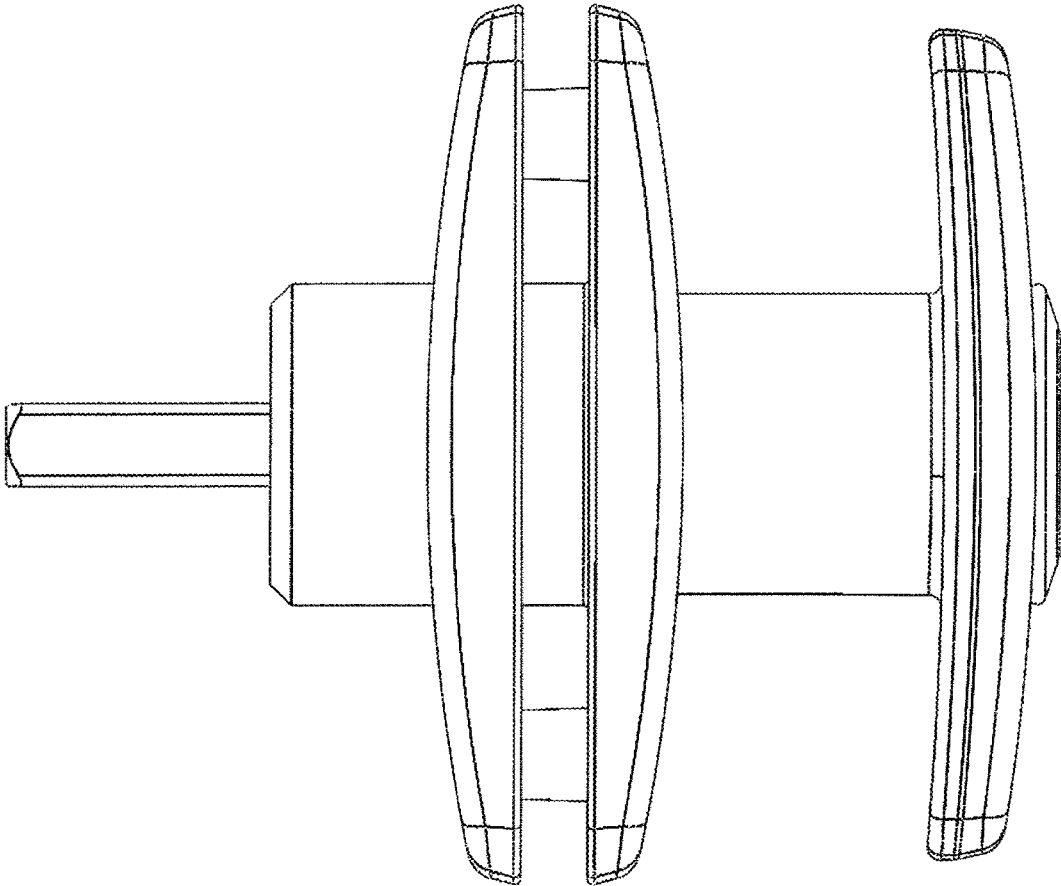


Fig. 10

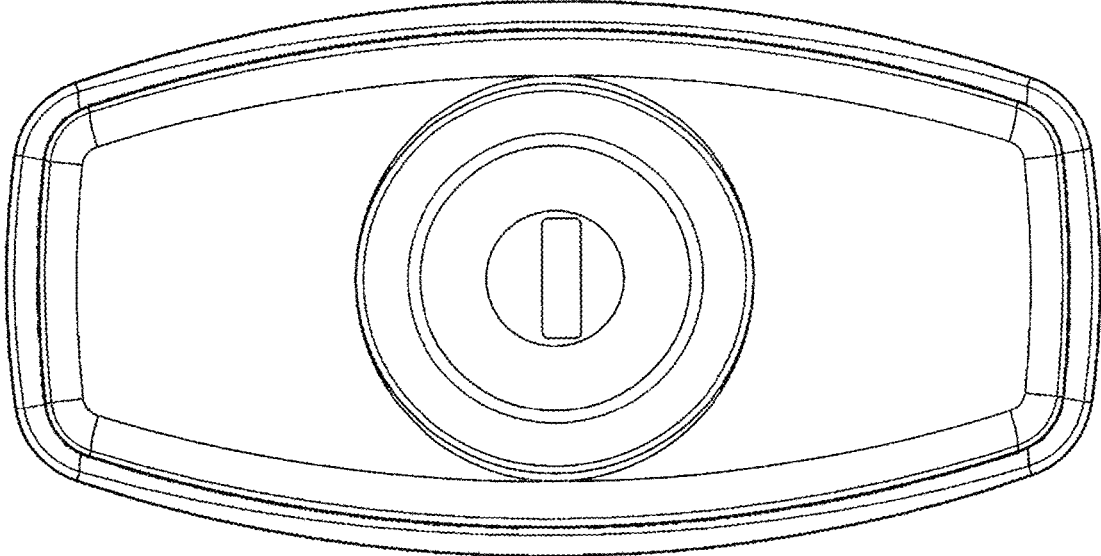


Fig. 11

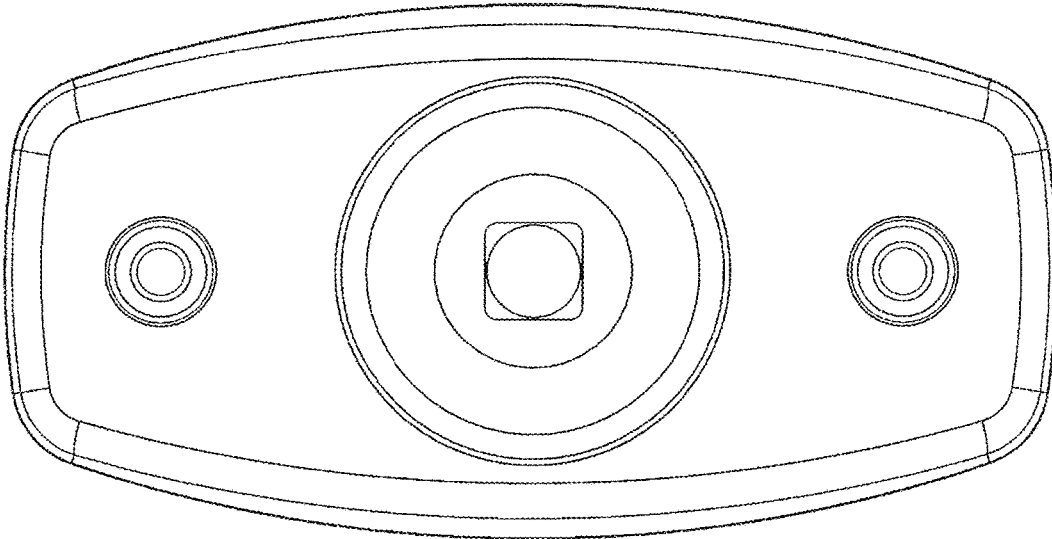


Fig. 12

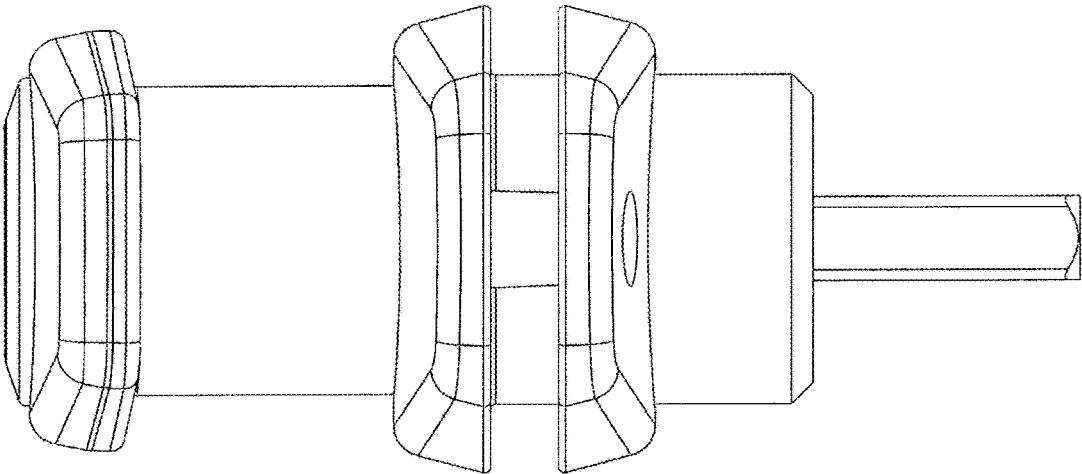


Fig. 13

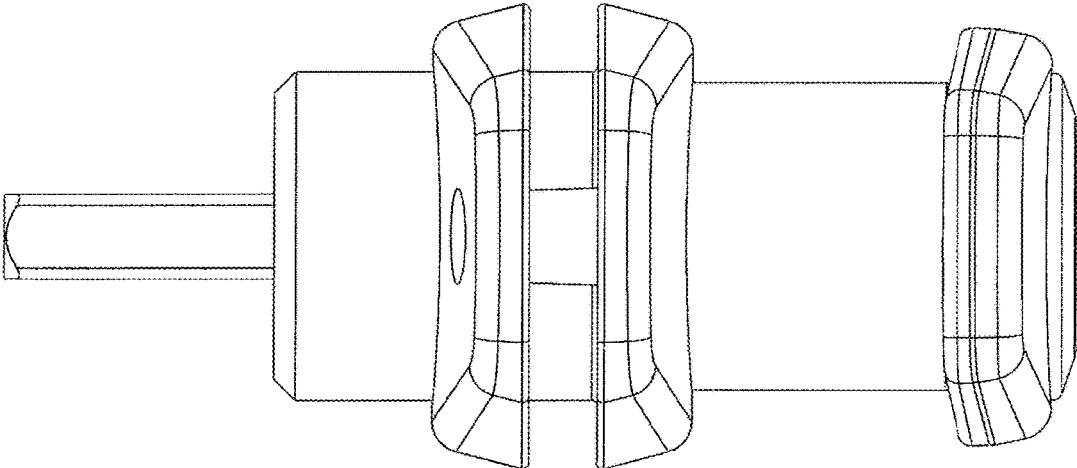


Fig. 14