



US00D764706S

(12) **United States Design Patent** (10) **Patent No.:** **US D764,706 S**
Kling (45) **Date of Patent:** **** Aug. 23, 2016**

(54) **EPILATOR**
(71) Applicant: **Braun GmbH**, Kronberg (DE)
(72) Inventor: **Björn Kling**, Glashuetten (DE)
(73) Assignee: **Braun GmbH**, Kronberg (DE)
(**) Term: **14 Years**
(21) Appl. No.: **29/511,975**
(22) Filed: **Dec. 16, 2014**

2010/0280528 A1 * 11/2010 Huisinga A45D 26/0061
606/133
2010/0331795 A1 * 12/2010 Jung A45D 26/0061
604/290
2011/0005079 A1 * 1/2011 Damaschke B26B 19/3853
30/41.5
2012/0022555 A1 * 1/2012 Sanchez-
Martinez A45D 26/0028
606/133
2012/0035621 A1 * 2/2012 Platek A45D 26/0028
606/133
2014/0025091 A1 * 1/2014 Yiu A61B 17/54
606/131
2014/0107670 A1 * 4/2014 Grieshaber A45D 26/0023
606/133
2014/0114328 A1 * 4/2014 Grieshaber A45D 26/0023
606/133

(30) **Foreign Application Priority Data**

Jul. 18, 2014 (WO) 827594001

(51) **LOC (10) Cl.** **28-03**
(52) **U.S. Cl.**
USPC **D28/44.1**

(58) **Field of Classification Search**
USPC D28/44, 44.1, 49, 51, 53, 58, 59
CPC B26B 19/00–19/107; A45D
2026/008–2026/0095; A45D
26/0042–26/0052; A45D 26/0057; A45D
26/0061; A45D 26/0004; A45D 26/0023;
A45D 26/0028; A45D 26/0033; A45D
26/0038; A45D 2200/1054; A61B 17/54
See application file for complete search history.

FOREIGN PATENT DOCUMENTS

DE WO 2010125533 A1 * 11/2010 A45D 26/0028
DE EP 2719298 A2 * 4/2014 A45D 26/0023
JP 5242812 B2 * 7/2013 A45D 26/0028

* cited by examiner

Primary Examiner — Jennifer Rivard
(74) *Attorney, Agent, or Firm* — Ronald Terk Sia; Kevin C. Johnson; Steven W. Miller

(56) **References Cited**

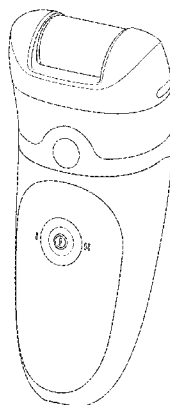
U.S. PATENT DOCUMENTS

D376,010 S * 11/1996 Kip D28/44.1
6,520,970 B1 * 2/2003 Sanchez-
Martinez A45D 26/0061
606/131
6,740,097 B1 * 5/2004 Sanchez-
Martinez A45D 26/0061
606/133
D611,198 S * 3/2010 Platek D28/44.1
D662,660 S * 6/2012 Byun D28/44.1
8,574,242 B2 * 11/2013 Pfeiffer A45D 26/0028
606/133
2009/0172948 A1 * 7/2009 Kitamura A45D 27/46
30/41.6

DESCRIPTION

FIG. 1 is a perspective view of an epilator;
FIG. 2 is a front view thereof;
FIG. 3 is a right side view thereof;
FIG. 4 is a rear view thereof;
FIG. 5 is a left side view thereof;
FIG. 6 is a top plan view thereof; and,
FIG. 7 is a bottom view thereof.
The broken lines shown in FIG. 7 illustrate the bounds of the claim and form no part of the claimed design.

1 Claim, 7 Drawing Sheets



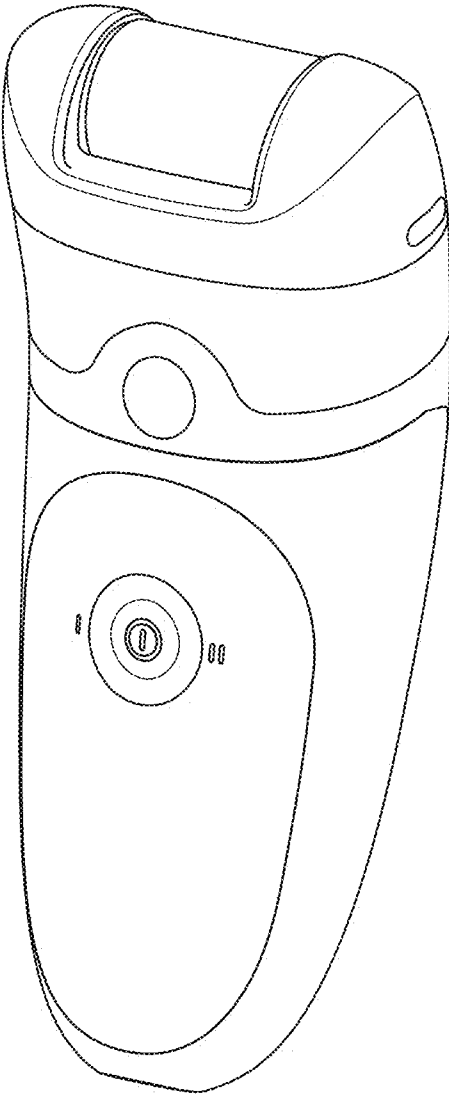


FIG. 1

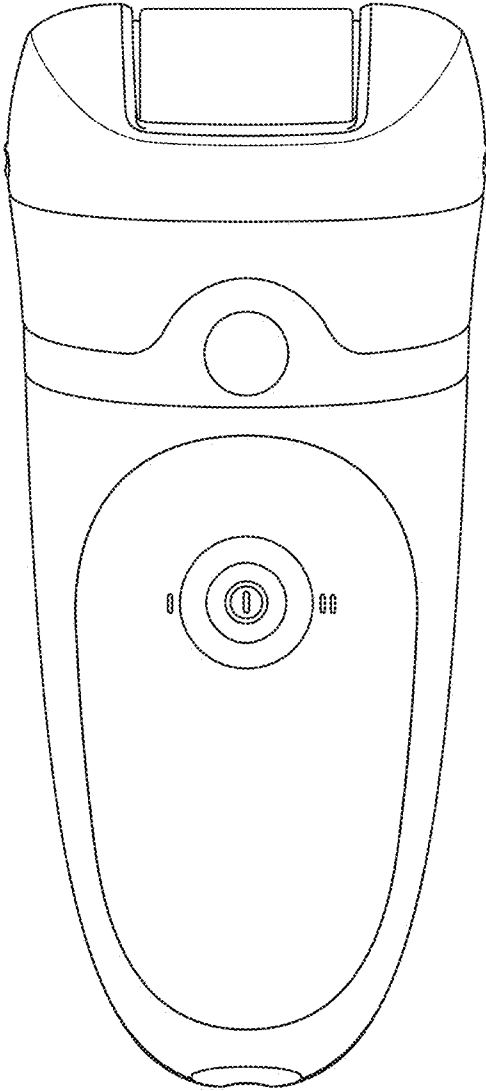


FIG. 2

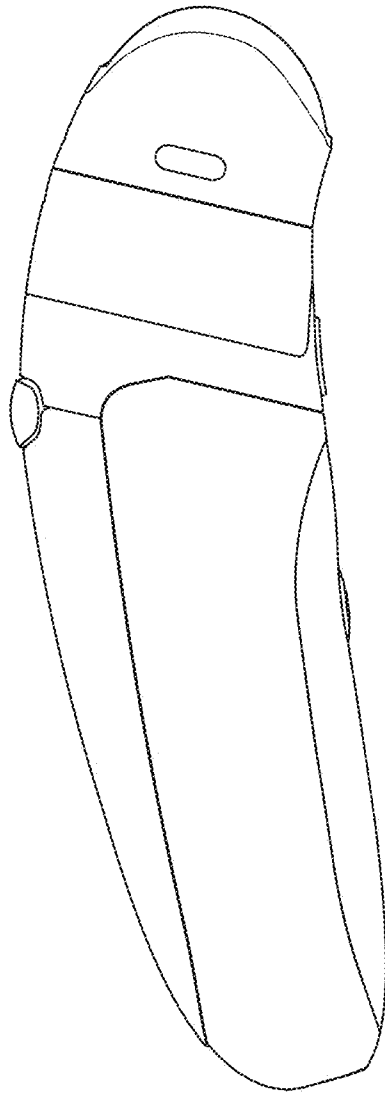


FIG. 3

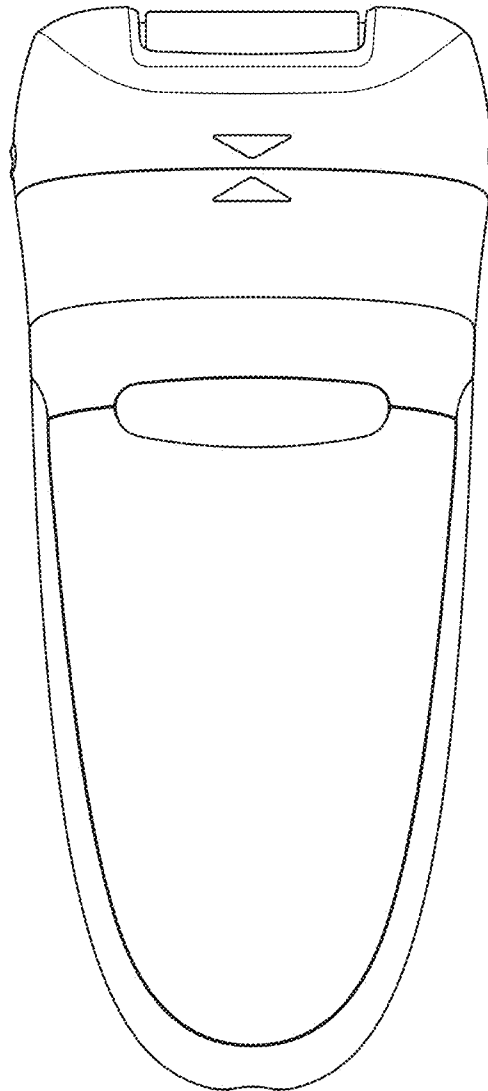


FIG. 4

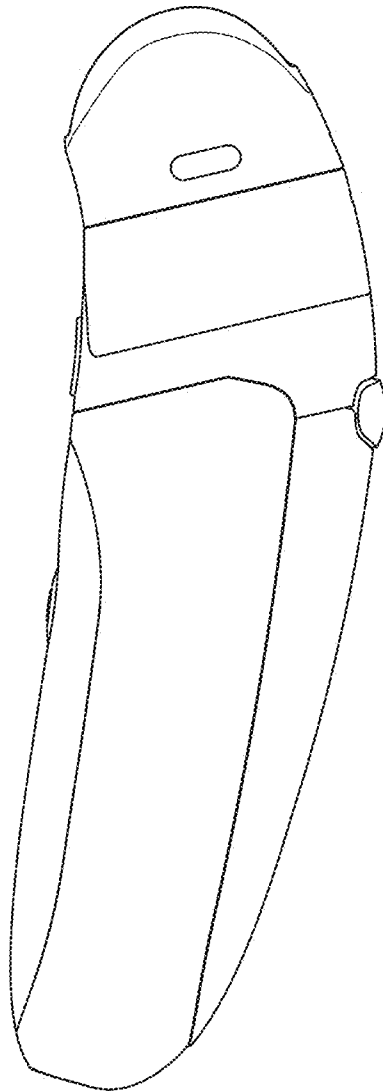


FIG. 5

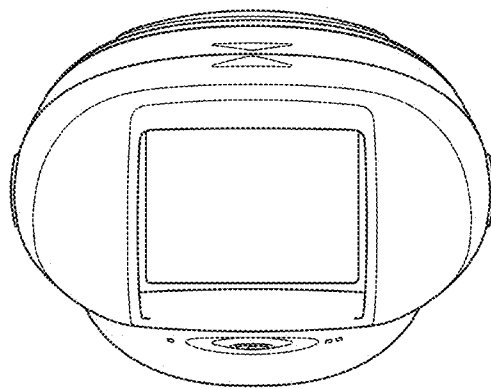


FIG. 6

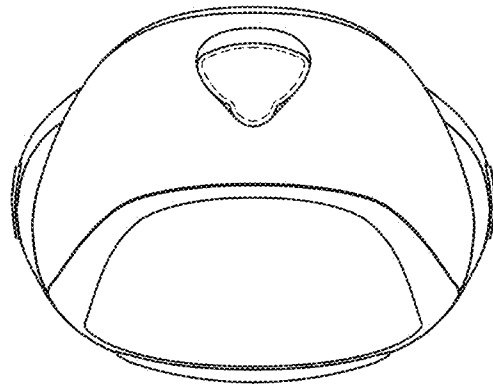


FIG. 7