



US00D787384S

(12) **United States Design Patent**
Ito et al.

(10) **Patent No.:** **US D787,384 S**

(45) **Date of Patent:** **** May 23, 2017**

- (54) **TRUCK VEHICLE GRILLE**
- (71) Applicant: **International Truck Intellectual Property Company, LLC**, Lisle, IL (US)
- (72) Inventors: **Chris Ito**, Sugar Grove, IL (US); **Glen Joel Durmisevich**, Rochester Hills, MI (US); **Christian Michael Hardin**, Waterford, MI (US); **Robert P. Scott**, Aurora, IL (US)
- (73) Assignee: **International Truck Intellectual Property Company, LLC**, Lisle, IL (US)
- (**) Term: **15 Years**
- (21) Appl. No.: **29/544,060**
- (22) Filed: **Oct. 30, 2015**
- (51) **LOC (10) Cl.** **12-16**
- (52) **U.S. Cl.**
USPC **D12/163**
- (58) **Field of Classification Search**
USPC D12/86, 90, 91, 92, 163, 169, 196, 171, D12/216; D15/31; 180/68.1, 68.6; 293/103, 115, 117, 120, 193.1, 193.11
CPC . B60R 19/52; B60R 2019/525; B60K 11/085; B62D 25/084; H01Q 1/32
See application file for complete search history.

D445,361 S *	7/2001	Tirey	D12/96
D447,099 S *	8/2001	Tirey	D12/163
D452,464 S *	12/2001	Beigel	D12/163
D455,381 S *	4/2002	Maher	D12/163
D460,023 S *	7/2002	Beigel	D12/96
D522,936 S *	6/2006	Beigel	D12/163
D542,715 S *	5/2007	Beigel	D12/96
D545,730 S *	7/2007	Lee	D12/163
D551,599 S *	9/2007	Simons	D12/163
D551,600 S *	9/2007	Simons	D12/163
D557,183 S	12/2007	Beigel et al.	
D558,643 S *	1/2008	Beigel	D12/96
D566,015 S	4/2008	Beigel et al.	
D592,561 S *	5/2009	Otto	D12/163
D612,776 S *	3/2010	Beigel	D12/163
D619,054 S	7/2010	Beigel et al.	
D627,692 S *	11/2010	Cheng	D12/163
D637,530 S *	5/2011	Aris	D12/163
D640,175 S *	6/2011	Villamizar	D12/163
D645,797 S *	9/2011	Beigel	D12/163
D647,827 S *	11/2011	Medina	D12/163
D673,089 S	12/2012	Parkes et al.	
D673,486 S	1/2013	Parkes et al.	
D691,072 S *	10/2013	Cheng	D12/163
D698,288 S *	1/2014	Riggs	D12/163

(Continued)

Primary Examiner — Darlington Ly

(74) Attorney, Agent, or Firm — Jeffrey P. Calfa; Mark C. Bach

(57) **CLAIM**

The ornamental design for a truck vehicle grille, as shown and described.

DESCRIPTION

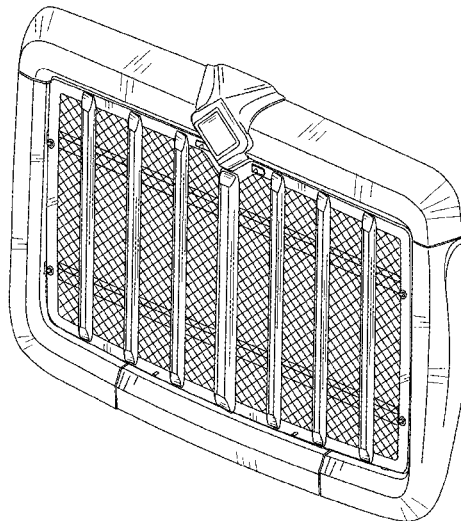
FIG. 1 is a front isometric view of a truck vehicle grille showing our new design;
 FIG. 2 is a front elevation view thereof;
 FIG. 3 is a right side elevation view thereof;
 FIG. 4 is a left side elevation view thereof; and,
 FIG. 5 is a top plan view thereof.

1 Claim, 4 Drawing Sheets

(56) **References Cited**

U.S. PATENT DOCUMENTS

D400,836 S	11/1998	Reynard et al.	
D403,285 S	12/1998	Abalos et al.	
D405,037 S *	2/1999	Meryman D12/163
D412,874 S *	8/1999	Meryman D12/163
D424,993 S *	5/2000	Farzam D12/163
D425,835 S *	5/2000	Cook D12/163



(56)

References Cited

U.S. PATENT DOCUMENTS

D708,992	S *	7/2014	Ito	D12/163
D709,410	S *	7/2014	Conway	D12/163
D710,765	S *	8/2014	Conway	D12/163
D742,287	S *	11/2015	Hanson	D12/163
D759,550	S *	6/2016	Vena	D12/163
2007/0199751	A1 *	8/2007	Bradley	B60K 11/085 180/68.1
2009/0085361	A1 *	4/2009	Rosen	B60R 13/04 293/120
2013/0025954	A1 *	1/2013	Miller	B62D 25/10 180/69.21

* cited by examiner

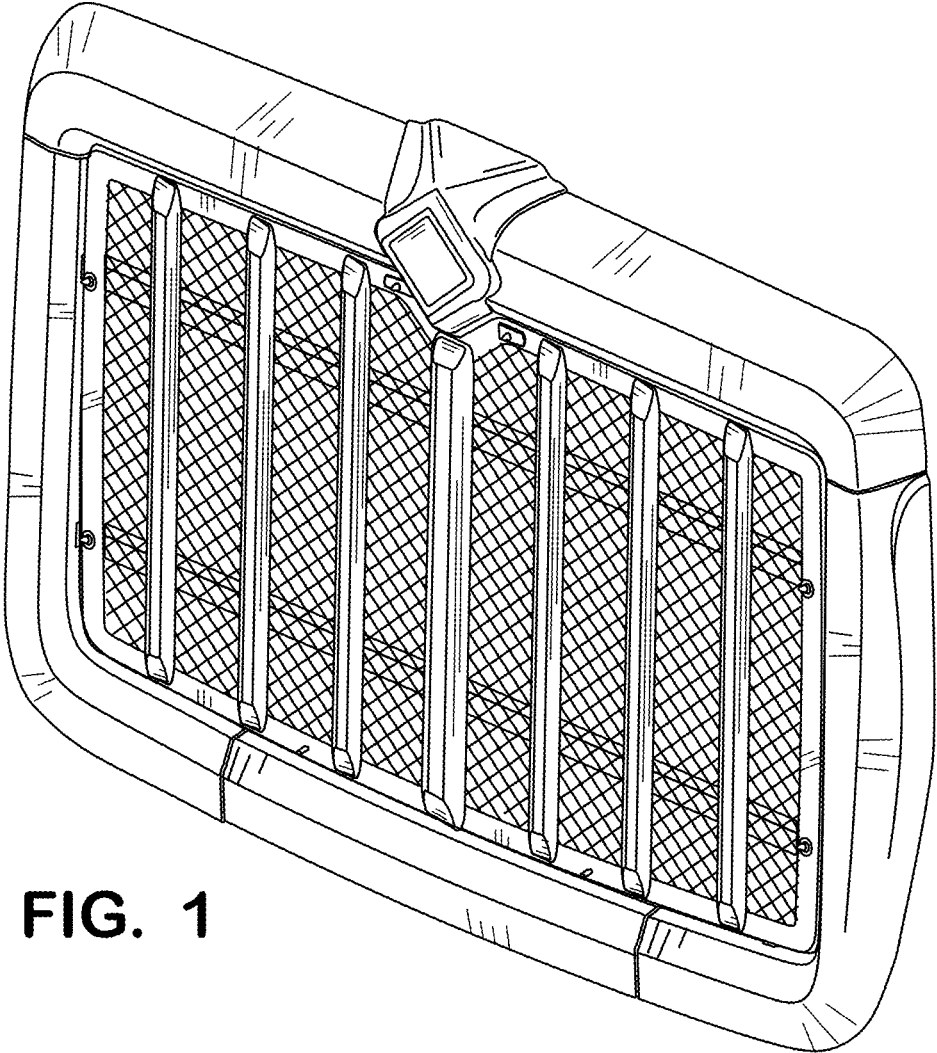


FIG. 1

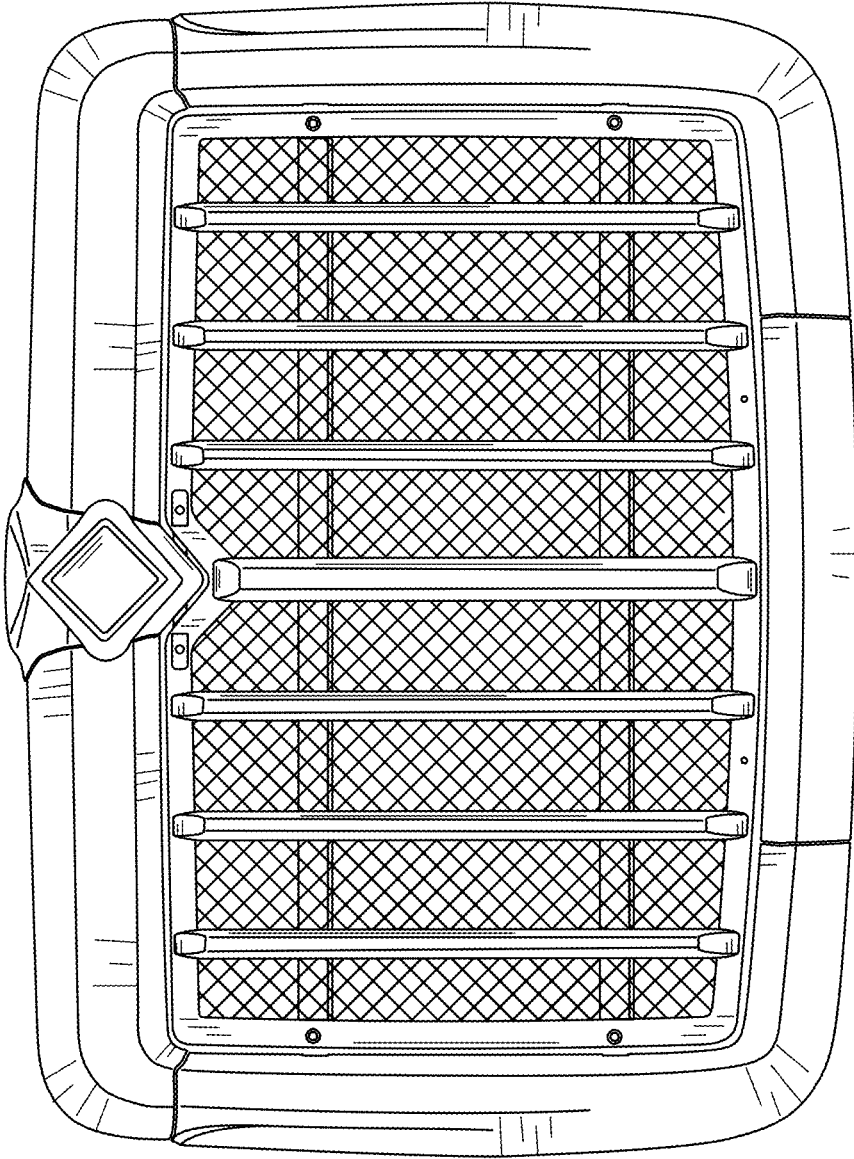


FIG. 2

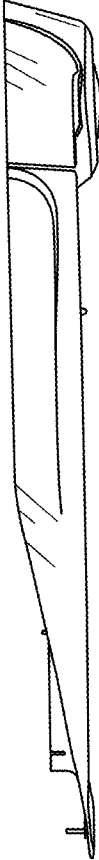


FIG. 3

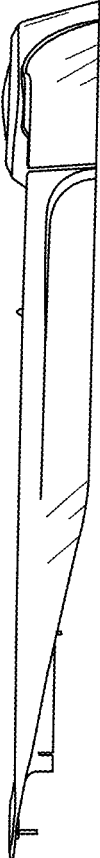


FIG. 4



FIG. 5