

(19) World Intellectual Property Organization  
International Bureau



(43) International Publication Date  
17 December 2009 (17.12.2009)

(10) International Publication Number  
**WO 2009/151725 A3**

- (51) **International Patent Classification:**  
*B62D 6/02* (2006.01)      *B60W 10/20* (2006.01)  
*B62D 6/00* (2006.01)
- (21) **International Application Number:**  
PCT/US2009/038404
- (22) **International Filing Date:**  
26 March 2009 (26.03.2009)
- (25) **Filing Language:** English
- (26) **Publication Language:** English
- (30) **Priority Data:**  
12/055,668      26 March 2008 (26.03.2008)      US
- (71) **Applicant (for all designated States except US):** **MTD PRODUCTS INC.** [US/US]; 5903 Grafton Road, Valley City, OH 44280 (US).
- (72) **Inventors; and**
- (75) **Inventors/Applicants (for US only):** **SCHAEDLER, Axel** [DE/US]; 5903 Grafton Road, Valley City, OH 44280 (US). **DILGARD, Tim** [US/US]; 5903 Grafton Road, Valley City, OH 44280 (US).
- (74) **Agent:** **SPENCE, Christopher, W.**; Fulbright & Jaworski L.L.P., 600 Congress Avenue, Suite 2400, Austin, TX 78701 (US).
- (81) **Designated States (unless otherwise indicated, for every kind of national protection available):** AE, AG, AL, AM,

AO, AT, AU, AZ, BA, BB, BG, BH, BR, BW, BY, BZ, CA, CH, CN, CO, CR, CU, CZ, DE, DK, DM, DO, DZ, EC, EE, EG, ES, FI, GB, GD, GE, GH, GM, GT, HN, HR, HU, ID, IL, IN, IS, JP, KE, KG, KM, KN, KP, KR, KZ, LA, LC, LK, LR, LS, LT, LU, LY, MA, MD, ME, MG, MK, MN, MW, MX, MY, MZ, NA, NG, NI, NO, NZ, OM, PG, PH, PL, PT, RO, RS, RU, SC, SD, SE, SG, SK, SL, SM, ST, SV, SY, TJ, TM, TN, TR, TT, TZ, UA, UG, US, UZ, VC, VN, ZA, ZM, ZW.

(84) **Designated States (unless otherwise indicated, for every kind of regional protection available):** ARIPO (BW, GH, GM, KE, LS, MW, MZ, NA, SD, SL, SZ, TZ, UG, ZM, ZW), Eurasian (AM, AZ, BY, KG, KZ, MD, RU, TJ, TM), European (AT, BE, BG, CH, CY, CZ, DE, DK, EE, ES, FI, FR, GB, GR, HR, HU, IE, IS, IT, LT, LU, LV, MC, MK, MT, NL, NO, PL, PT, RO, SE, SI, SK, TR), OAPI (BF, BJ, CF, CG, CI, CM, GA, GN, GQ, GW, ML, MR, NE, SN, TD, TG).

**Published:**

- with international search report (Art. 21(3))
- before the expiration of the time limit for amending the claims and to be republished in the event of receipt of amendments (Rule 48.2(h))

(88) **Date of publication of the international search report:**  
11 March 2010

(54) **Title:** VEHICLE CONTROL SYSTEMS AND METHODS

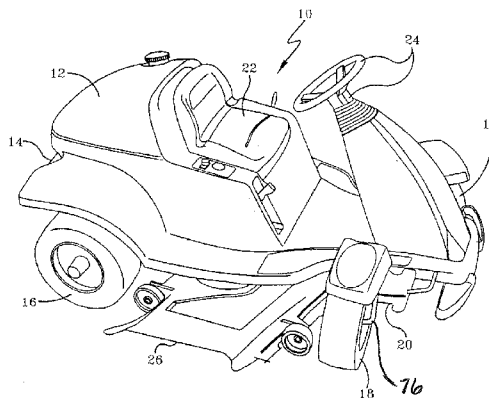


FIG. 1

(57) **Abstract:** Systems for controlling the speed and direction of vehicles such as tractors, including vehicles that have low to zero turning radius capability. Systems include steering and speed coordination systems that control the direction and speed of rotation of vehicle drive units.



WO 2009/151725 A3

**A. CLASSIFICATION OF SUBJECT MATTER*****B62D 6/02(2006.01)i, B62D 6/00(2006.01)i, B60W 10/20(2006.01)i***

According to International Patent Classification (IPC) or to both national classification and IPC

**B. FIELDS SEARCHED**

Minimum documentation searched (classification system followed by classification symbols)

IPC B62D 6/02

Documentation searched other than minimum documentation to the extent that such documents are included in the fields searched

Electronic data base consulted during the international search (name of data base and, where practicable, search terms used)

KOMPASS(KIPO Internal) &amp; Keywords; tractor, cart, mower, steer, link and slot

**C. DOCUMENTS CONSIDERED TO BE RELEVANT**

Category*	Citation of document, with indication, where appropriate, of the relevant passages	Relevant to claim No.
Y A	US 6874305 B2 (SHOSO ISHIMORI) 5 April 2005 See column 4 line 26 - column 8 line 51 and figures 1-8.	1 2-32
Y A	US 5238267 A (WAYNE R. HUTCHISON et al.) 24 August 1993 See column 5 line 21 - column 6 line 35 and figures 10-12.	1 2-32
A	US 7347434 B2 (BRIAN J. LEWIS et al.) 25 March 2008	1-32
A	US 5288091 A (JOE DESCHAMPS) 22 February 1994	1-32
A	US 4969533 A (DAVID R. HOLM et al.) 13 November 1990	1-32

 Further documents are listed in the continuation of Box C. See patent family annex.

\* Special categories of cited documents:

"A" document defining the general state of the art which is not considered to be of particular relevance

"E" earlier application or patent but published on or after the international filing date

"L" document which may throw doubts on priority claim(s) or which is cited to establish the publication date of citation or other special reason (as specified)

"O" document referring to an oral disclosure, use, exhibition or other means

"P" document published prior to the international filing date but later than the priority date claimed

"T" later document published after the international filing date or priority date and not in conflict with the application but cited to understand the principle or theory underlying the invention

"X" document of particular relevance; the claimed invention cannot be considered novel or cannot be considered to involve an inventive step when the document is taken alone

"Y" document of particular relevance; the claimed invention cannot be considered to involve an inventive step when the document is combined with one or more other such documents, such combination being obvious to a person skilled in the art

"&amp;" document member of the same patent family

Date of the actual completion of the international search

08 JANUARY 2010 (08.01.2010)

Date of mailing of the international search report

**08 JANUARY 2010 (08.01.2010)**

Name and mailing address of the ISA/KR

Korean Intellectual Property Office  
Government Complex-Daejeon, 139 Seonsa-ro, Seo-gu,  
Daejeon 302-701, Republic of Korea

Facsimile No. 82-42-472-7140

Authorized officer

TAK, Hyeong Yeop

Telephone No. 82-42-481-8421



**INTERNATIONAL SEARCH REPORT**

Information on patent family members

International application No.

**PCT/US2009/038404**

Patent document cited in search report	Publication date	Patent family member(s)	Publication date
US 06874305 B2	05.04.2005	JP 2003-170859 A	17.06.2003
		JP 03970006 B2	05.09.2007
		US 2003-0106296 A1	12.06.2003
		US 2005-0145421 A1	07.07.2005
US 05238267 A	24.08.1993	EP 0518201 A3	09.06.1993
		EP 0518201 A2	16.12.1992
		EP 0518201 B1	19.07.1995
US 07347434 B2	25.03.2008	US 2006-017249 A1	26.01.2006
US 05288091 A	22.02.1994	NONE	
US 04969533 A	13.11.1990	NONE	