

[54] FEMALE COUPLING AND SEAL UNIT

[75] Inventor: Jerry R. Hayes, Peoria, Ill.

[73] Assignee: L. R. Nelson Corp., Peoria, Ill.

[**] Term: 14 Years

[21] Appl. No.: 307,958

[22] Filed: Oct. 2, 1981

[52] U.S. Cl. D23/43

[58] Field of Search D23/40, 43, 44; 285/38,
285/360, 361, 376; D8/397

[56] References Cited

U.S. PATENT DOCUMENTS

977,472 12/1910 Pilkinton 285/360
2,324,792 7/1943 Meyer 285/38

3,279,828 10/1966 MacFarland 285/361

Primary Examiner—Wallace R. Burke
Assistant Examiner—Suzanne N. Gitlin
Attorney, Agent, or Firm—Cushman, Darby & Cushman

[57] CLAIM

The ornamental design for a female coupling and seal unit, as shown and described.

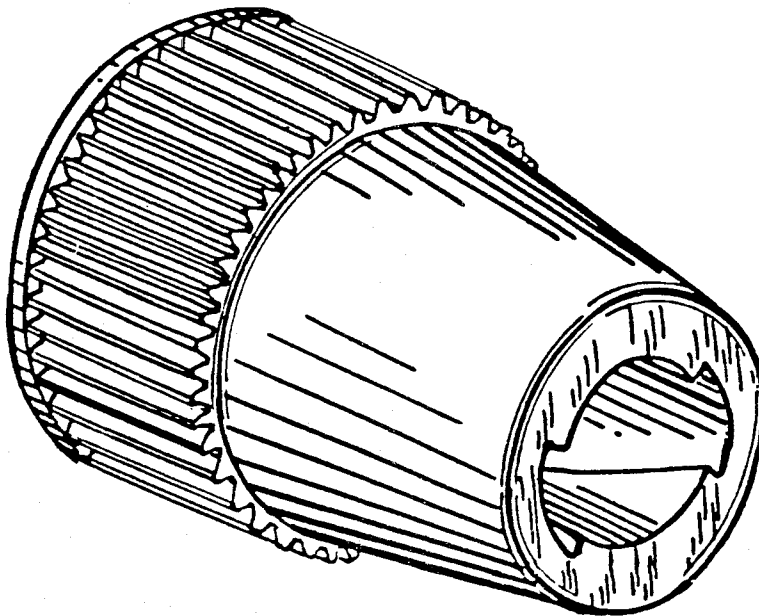
DESCRIPTION

FIG. 1 is a side elevational view of a female coupling member and seal showing my new design;

FIG. 2 is a side end elevational view taken from the left of FIG. 1; and

FIG. 3 is a perspective view thereof.

The side of the female coupling member and seal opposite from that shown in FIG. 1 is the same as that shown in FIG. 1.



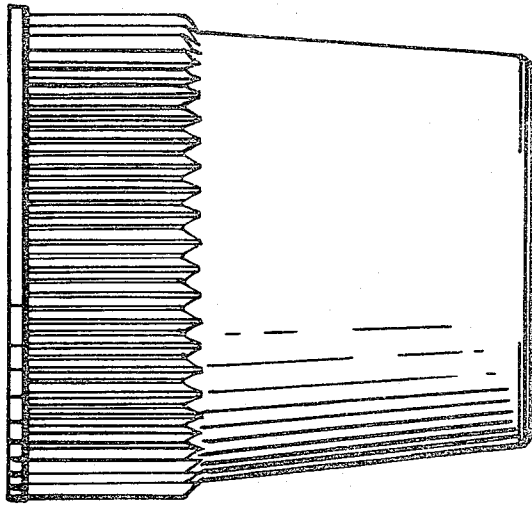


Fig. 1.

Fig. 2.

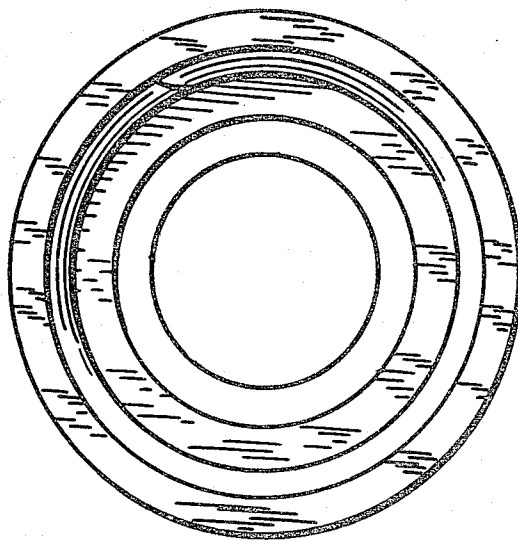


Fig. 3.

