



US00D940961S

(12) **United States Design Patent**  
**Heath**

(10) **Patent No.:** **US D940,961 S**

(45) **Date of Patent:** **\*\* Jan. 11, 2022**

(54) **NECK COLLAR**

**FOREIGN PATENT DOCUMENTS**

(71) Applicant: **Kevin Brian Heath**, El Cajon, CA (US)

AU 750693 B2 7/1999  
DE 44 45 219 A1 12/1994

(72) Inventor: **Kevin Brian Heath**, El Cajon, CA (US)

(Continued)

(\*\*) Term: **15 Years**

**OTHER PUBLICATIONS**

(21) Appl. No.: **29/708,136**

RaceDaySafety, "Crow Adult Knitted 360 Degree Neck Collar SFI 3.3", first available Aug. 2, 2013. (<https://web.archive.org/web/20130802003057/https://www.racedaysafety.com/crow-knitted-neck-collar.html>) (Year: 2013).\*

(22) Filed: **Oct. 3, 2019**

(Continued)

(51) **LOC (13) Cl.** ..... **29-02**

(52) **U.S. Cl.**

USPC ..... **D29/101.2**; D6/601; D24/191

(58) **Field of Classification Search**

USPC ..... D2/600, 602, 609, 865, 866, 867, 868, D2/869, 870, 871, 872, 873, 874, 875, D2/877, 878, 879, 881, 882, 886, 887, D2/891, 892, 893, 895; D15/144, 144.1, D15/144.2; D21/698, 780, 788; D24/188, 190, 191; D29/100, 101.3, D29/101.5, 102, 103, 104, 106, 107, 108, D29/109, 110, 113, 115, 120.1, 122, D29/101.2; D6/601

CPC ..... A41D 13/00; A41D 13/0512; A41D 13/0015; A41D 13/015; A41D 13/046; A41D 13/0518; A41D 13/055; A41D 13/0556; A41D 13/0568; A41D 13/08; A41D 13/081; A41D 13/084; A41D 13/088; A41D 2600/202; A41D 27/12; A41D 27/136; A42B 1/24; A42B 1/247; A42B 1/08; A42B 1/10; A42B 3/00; A42B 3/04;

(Continued)

*Primary Examiner* — Lauren D McVey

*Assistant Examiner* — Justin A Johnson

(74) *Attorney, Agent, or Firm* — Atlanta Technology Law

(57) **CLAIM**

The ornamental design for the neck collar, as shown and described.

**DESCRIPTION**

FIG. 1 is an isometric view of the neck collar from the front showing the neck collar design;

FIG. 2 is an isometric view of the neck collar from the rear showing the neck collar design;

FIG. 3 is a front elevation view of the neck collar shown in FIG. 1;

FIG. 4 is a rear elevation view of the neck collar shown in FIG. 1;

FIG. 5 is a left plan view of the neck collar shown in FIG. 1;

FIG. 6 is a right plan view of the neck collar shown in FIG. 1;

FIG. 7 is a top plan view of the neck collar shown in FIG. 1; and,

FIG. 8 is a bottom plan view of the neck collar shown in FIG. 1.

(56) **References Cited**

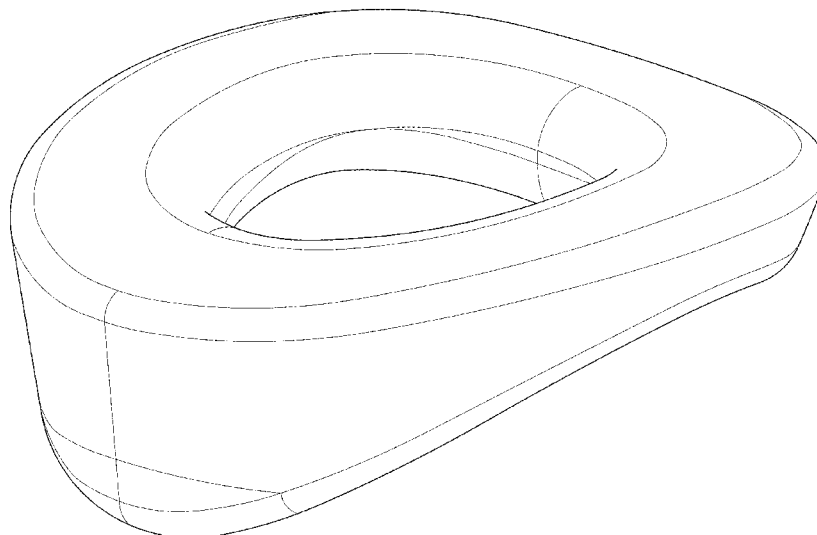
**U.S. PATENT DOCUMENTS**

3,135,256 A \* 6/1964 Gruber ..... A61F 5/055  
602/18

3,765,412 A 10/1973 Ommaya et al.

(Continued)

**1 Claim, 8 Drawing Sheets**



(58) **Field of Classification Search**

CPC ..... A42B 3/0473; A42B 3/06; A42B 3/062;  
 A42B 3/063; A42B 3/064; A42B 3/065;  
 A42B 3/066; A42B 3/10; A42B 3/105;  
 A42B 3/12; A42B 3/121; A42B 3/122;  
 A42B 3/124; A42B 3/125; A42B 3/127;  
 A42B 3/128; A42B 3/16; A42B 3/18;  
 A42B 3/185; A42B 3/22; A42B 3/221;  
 A42B 3/225; A47G 9/1081; A61B  
 2018/00619; A61F 9/06; A61F 9/065;  
 A61H 1/0296; A61H 2201/1609; A61H  
 2205/04; A63B 2071/0063; A63B  
 21/4003; A63B 23/025; A63B 71/1291;  
 Y10S 2/91

9,414,956 B2 8/2016 Garth et al.  
 9,723,888 B1 8/2017 Gardner  
 D821,115 S \* 6/2018 Chen ..... A47G 9/1081  
 D6/601  
 10,188,159 B2 1/2019 Armour et al.  
 D875,438 S \* 2/2020 Liu ..... D6/601  
 D881,607 S \* 4/2020 Yang ..... D6/601  
 D894,409 S \* 8/2020 Yeip ..... D24/191  
 D897,733 S \* 10/2020 Du ..... D6/601  
 D906,734 S \* 1/2021 Liang ..... D6/601  
 2002/0062513 A1 5/2002 Kim  
 2005/0133042 A1 6/2005 Zikria  
 2009/0204040 A1 8/2009 Powell  
 2010/0185130 A1 7/2010 Rize Patron  
 2014/0296758 A1 10/2014 Limontini  
 2018/0125126 A1 5/2018 Chambers et al.  
 2019/0200773 A1 \* 7/2019 Komsky ..... A47G 9/1081

See application file for complete search history.

(56)

**References Cited**

U.S. PATENT DOCUMENTS

3,855,631 A 12/1974 Ettinger  
 4,219,193 A 9/1980 Newman  
 4,397,046 A 9/1983 Steiner  
 4,881,529 A 11/1989 Santos  
 5,003,968 A 4/1991 Mars  
 5,248,293 A 9/1993 Hubbard et al.  
 5,314,404 A 5/1994 Hubbard et al.  
 5,788,658 A 8/1998 Islava  
 5,891,069 A 4/1999 Moffett  
 D419,267 S \* 1/2000 Hartunian ..... D24/191  
 6,058,517 A 5/2000 Hartunian  
 6,315,746 B1 11/2001 Garth et al.  
 D469,541 S \* 1/2003 Cheatham ..... D24/191  
 D555,836 S \* 11/2007 Foust ..... D29/101.2  
 D582,045 S \* 12/2008 James ..... D24/191  
 7,867,181 B2 1/2011 Powell et al.  
 D633,624 S \* 3/2011 Monopoli ..... D24/191  
 D718,074 S \* 11/2014 Savolainen ..... A61F 5/055  
 D6/601

FOREIGN PATENT DOCUMENTS

DE 100 50 310 C1 7/2002  
 DE 103 14 423 9/2004  
 EP 2 496 190 B1 12/2011  
 GB 2 225 708 A 6/1990  
 WO WO200054709 A1 9/2000  
 WO WO2008050307 A1 5/2008  
 WO WO2017172964 A1 10/2017

OTHER PUBLICATIONS

Pegasus Auto Racing Supplies, "OMP Nomex Helmet Support Collar", first available 2014. (<https://www.pegasusautoracing.com/productselection.asp?Product=2123>) (Year: 2014).  
 Kart Parts Depot, "Neck Collar for Go Kart Racing", first available Apr. 29, 2018. ([https://www.kartpartsdepot.com/Go\\_Kart\\_Racing\\_Neck\\_Collar\\_Support\\_p/kw-z560.htm](https://www.kartpartsdepot.com/Go_Kart_Racing_Neck_Collar_Support_p/kw-z560.htm)) (Year: 2018).  
 NecksGen, "UTV Helmet Support", first available Aug. 15, 2020. (<https://web.archive.org/web/20200815193647/https://www.necksgen.com/utv-helmet-support/p29636144-utv-helmet-support>) (Year: 2020).\*

\* cited by examiner

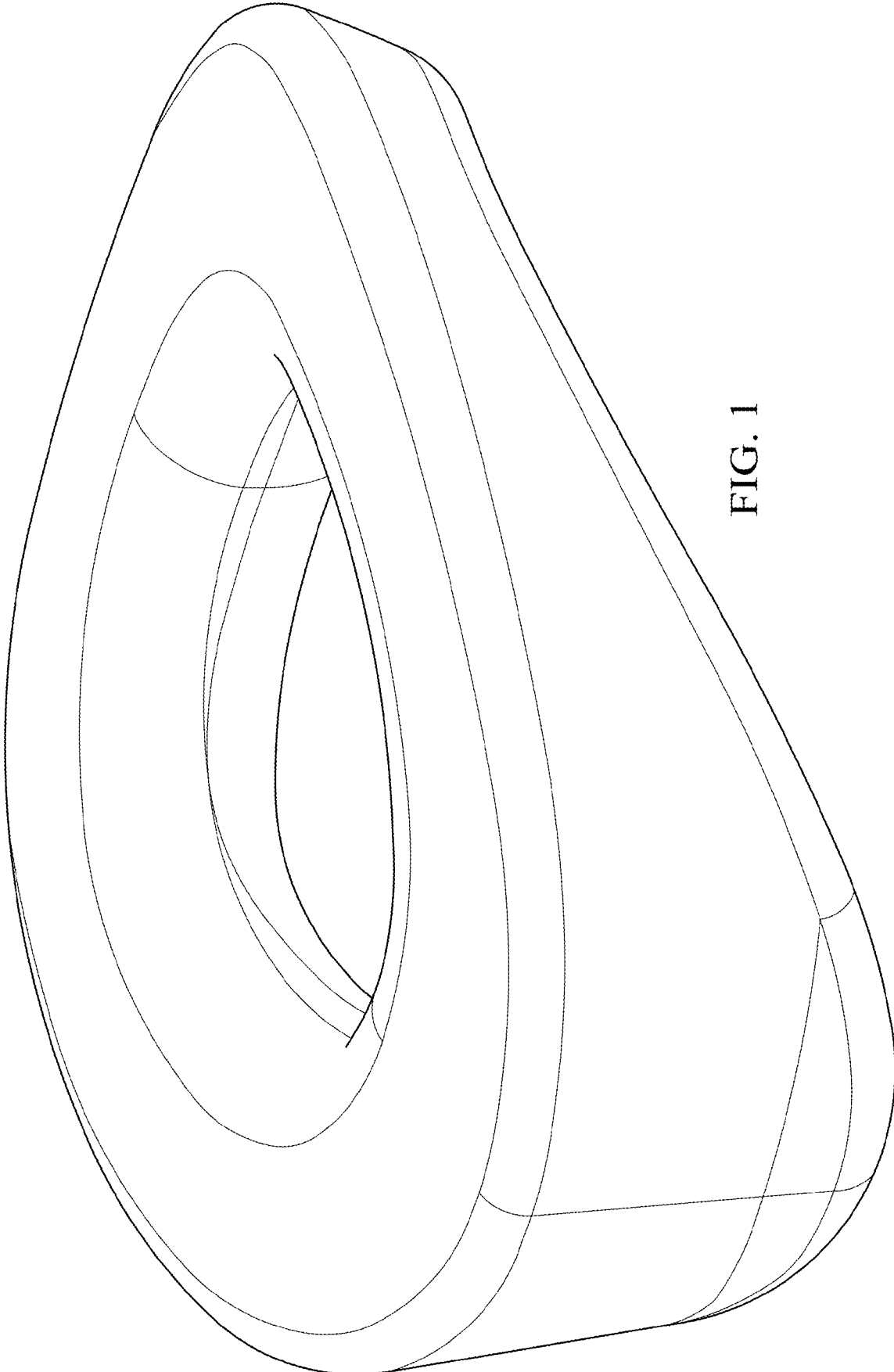


FIG. 1

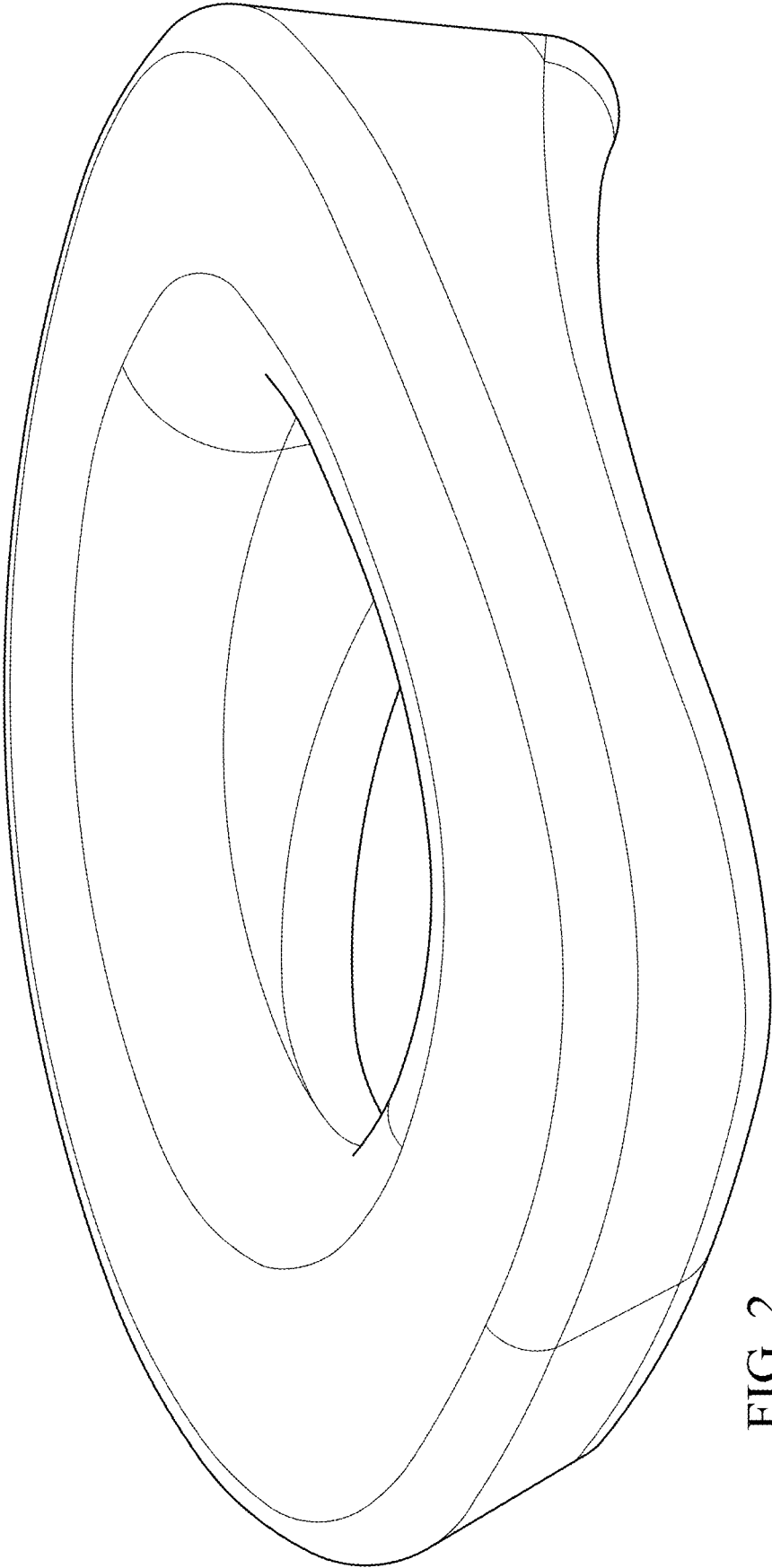


FIG. 2

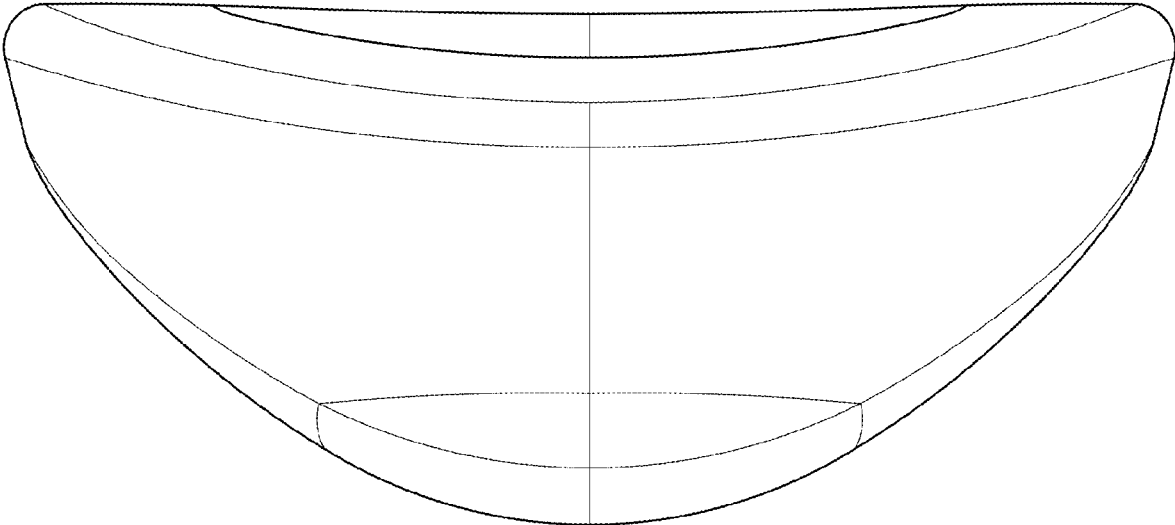


FIG. 3

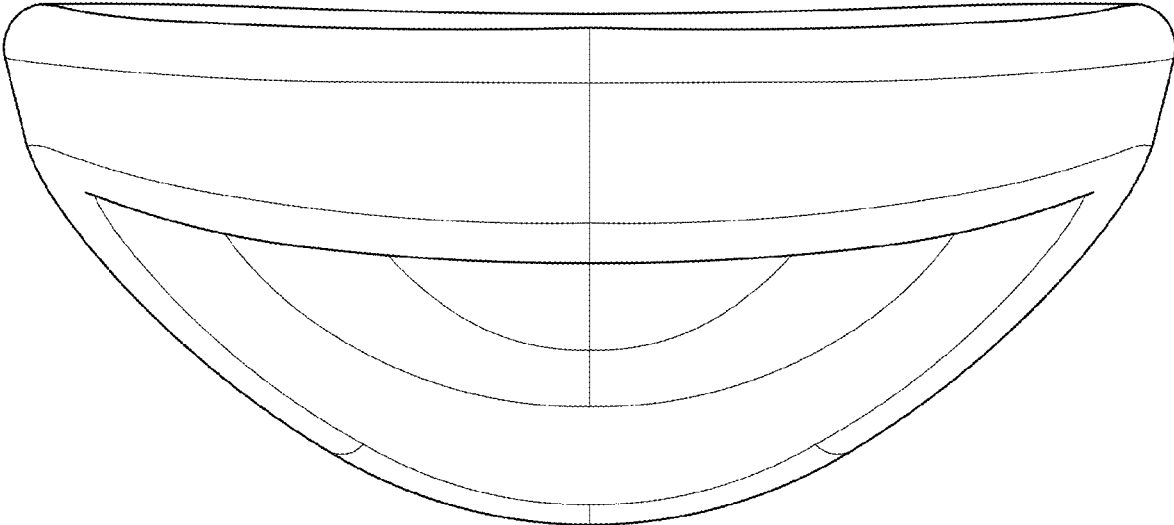


FIG. 4



FIG. 5

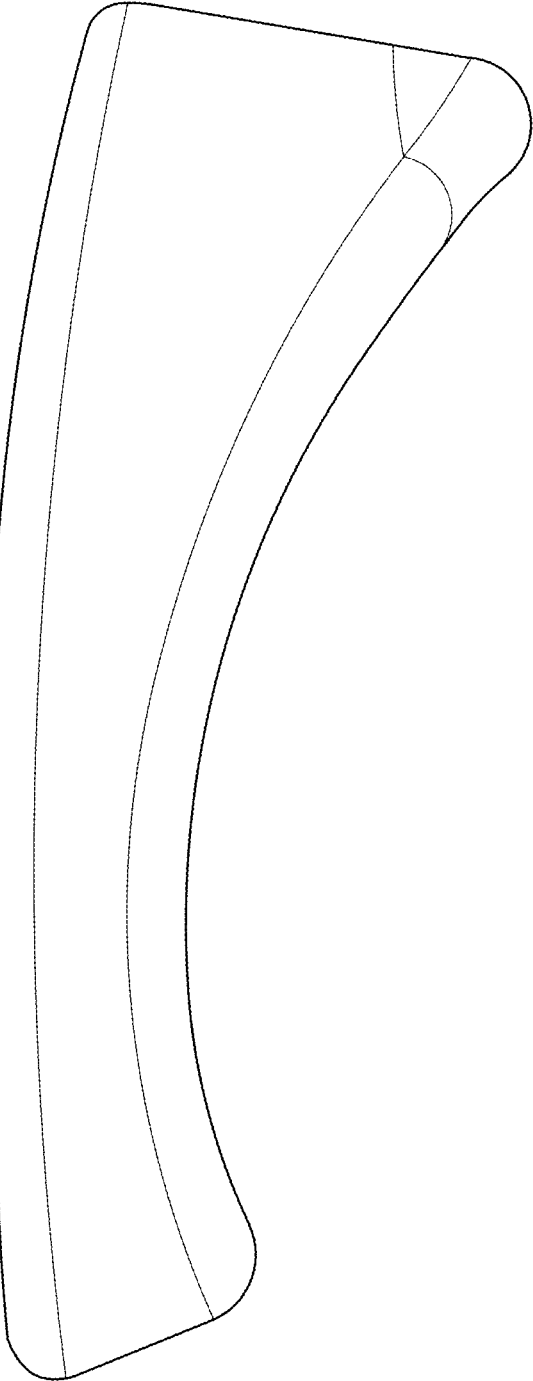


FIG. 6



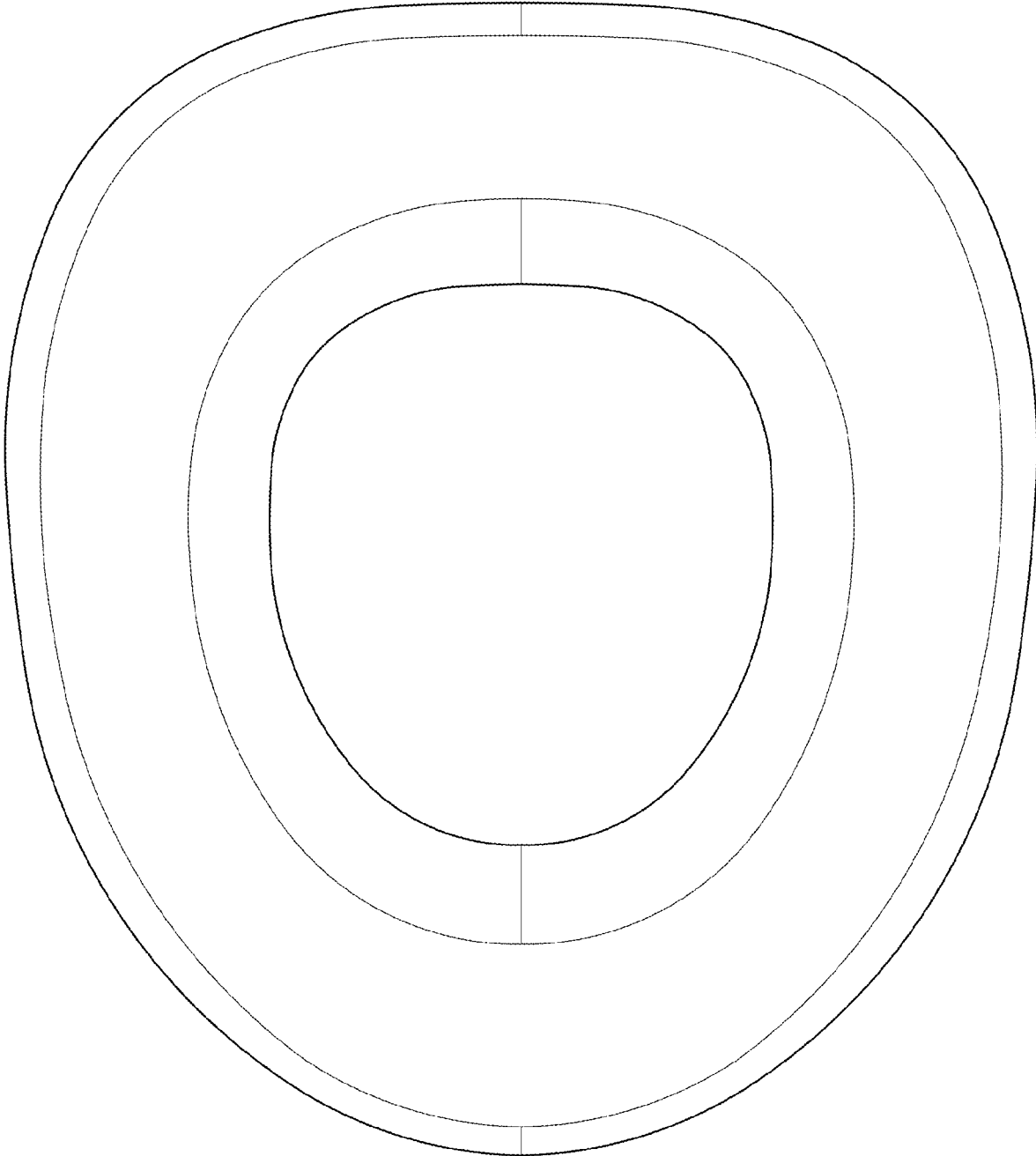


FIG. 7

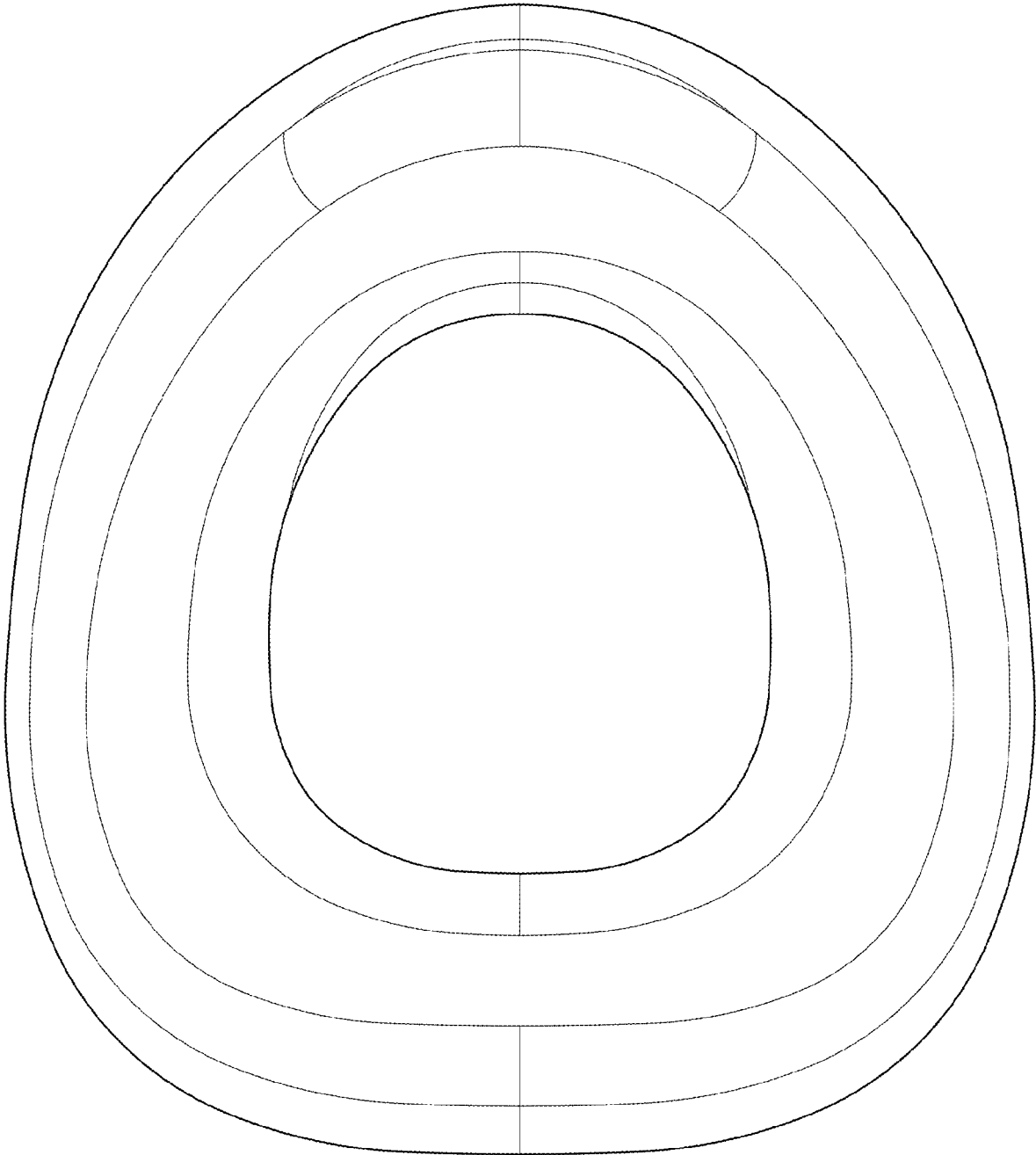


FIG. 8