



US00D783619S

(12) **United States Design Patent**
Couture et al.

(10) **Patent No.:** **US D783,619 S**

(45) **Date of Patent:** **** Apr. 11, 2017**

(54) **NETWORK HUB**

(74) *Attorney, Agent, or Firm* — Brouillette Legal Inc.;
Damien Calvet

(71) Applicant: **ARTIKA FOR LIVING INC.**, Dorval,
Quebec (CA)

(57) **CLAIM**

The ornamental design for a network hub, as shown and
described.

(72) Inventors: **Marc Couture**, Lachine (CA); **Dave
Morneau**, Mont St-Hilaire (CA);
Oliver Bradley, Montreal (CA)

DESCRIPTION

(73) Assignee: **ARTIKA FOR LIVING INC.**,
Montreal (CA)

FIG. 1 is a perspective view of the first embodiment of a
network hub;

(**) Term: **15 Years**

FIG. 2 is a left side elevation view of the first embodiment
of the network hub;

(21) Appl. No.: **29/563,071**

FIG. 3 is a front elevation view of the first embodiment of
the network hub;

(22) Filed: **May 2, 2016**

FIG. 4 is a right side elevation view of the first embodiment
of the network hub;

(30) **Foreign Application Priority Data**

FIG. 5 is a rear elevation view of the first embodiment of the
network hub;

Nov. 5, 2015 (CA) 165176

FIG. 6 is a top plan view of the first embodiment of the
network hub;

(51) **LOC (10) Cl.** **04-03**

FIG. 7 is a bottom plan view of the first embodiment of the
network hub;

(52) **U.S. Cl.**

USPC **D14/433**

FIG. 8 is a perspective view of the second embodiment of a
network hub;

(58) **Field of Classification Search**

USPC D14/125, 138 C, 138 R, 140.1, 155, 159,
D14/167, 230, 231, 232, 233, 234, 235,
D14/236, 237, 238, 240, 242, 243, 299,
D14/348, 349, 351, 353, 354, 355, 356,
D14/357, 358, 367, 385, 433, 435, 436,

FIG. 9 is a left side elevation view of the second embodi-
ment of the network hub;

(Continued)

FIG. 10 is a front elevation view of the second embodiment
of the network hub;

(56) **References Cited**

U.S. PATENT DOCUMENTS

D548,731 S * 8/2007 Liu D14/240

D598,013 S * 8/2009 Ju D14/240

(Continued)

FIG. 11 is a right side elevation view of the second embodi-
ment of the network hub;

FIG. 12 is a rear elevation view of the second embodiment
of the network hub;

FIG. 13 is a top plan view of the second embodiment of the
network hub; and,

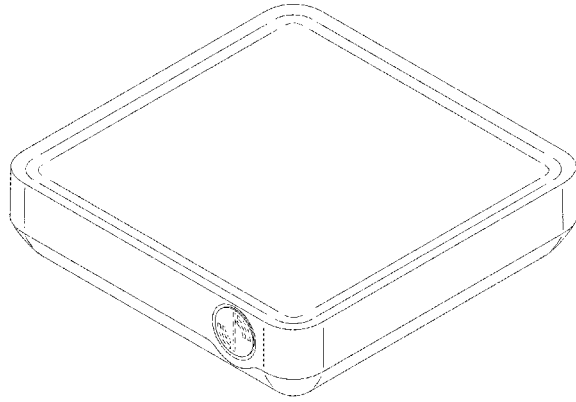
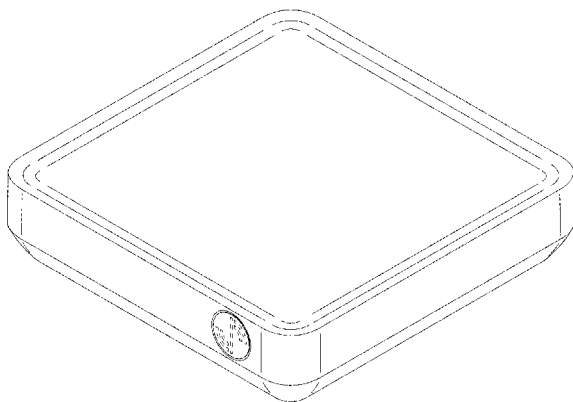
FIG. 14 is a bottom plan view of the second embodiment of
the network hub.

The broken lines are for environmental purposes only and
form no part of the claimed design.

Primary Examiner — Robert M Spear

Assistant Examiner — John Voytek

1 Claim, 14 Drawing Sheets



(58) **Field of Classification Search**

USPC D14/474, 480, 496; D13/123, 184;
D10/75, 104.1

See application file for complete search history.

(56) **References Cited**

U.S. PATENT DOCUMENTS

D648,689	S	*	11/2011	Mehlsen	D14/125
D662,904	S	*	7/2012	Wu	D14/125
D705,201	S	*	5/2014	Isaacs	D14/240
D729,216	S	*	5/2015	Peng	D14/240
D732,512	S	*	6/2015	Fariello	D14/230
D742,856	S	*	11/2015	Skjoldborg	D14/217
D743,962	S	*	11/2015	Ikeda	D14/348
D753,100	S	*	4/2016	Magi	D14/300
D756,338	S	*	5/2016	Jou	D14/242

* cited by examiner

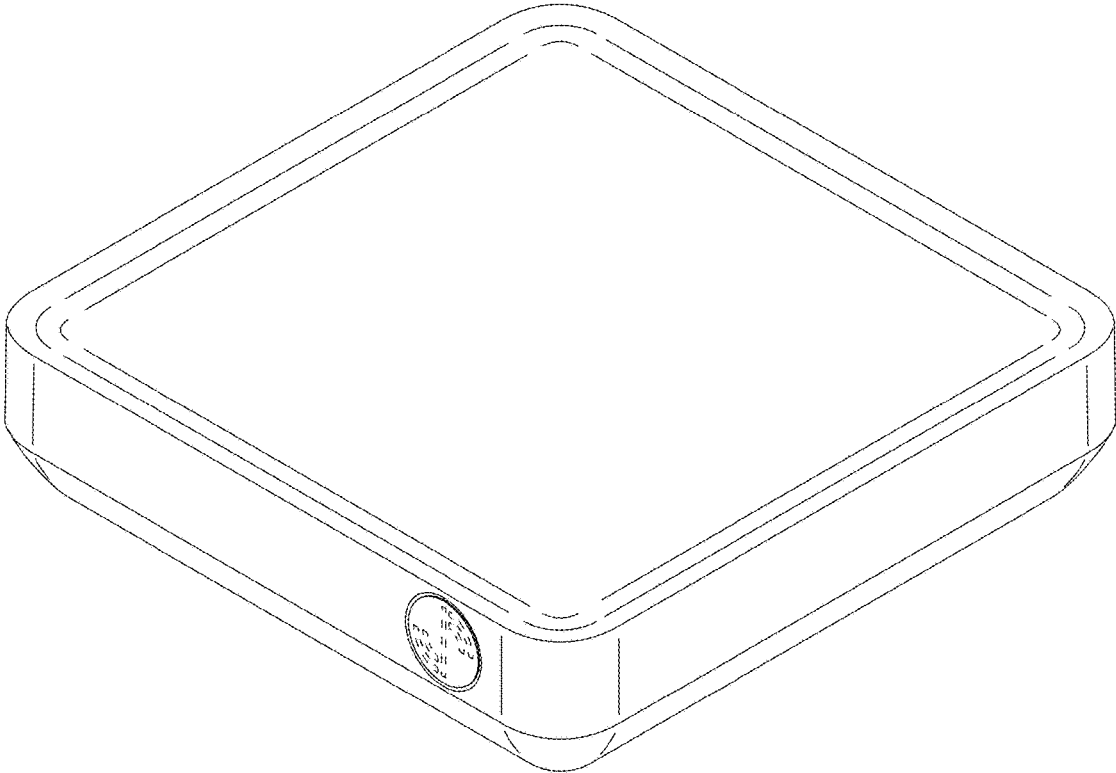


FIG. 1

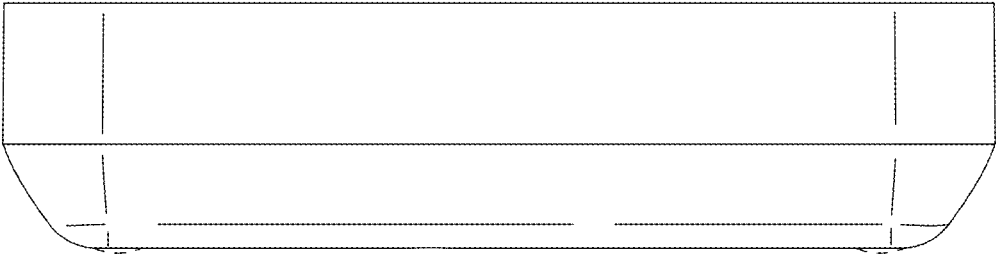


FIG. 2

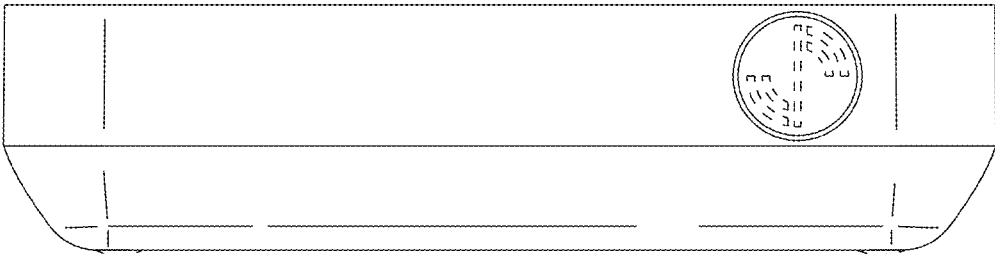


FIG. 3

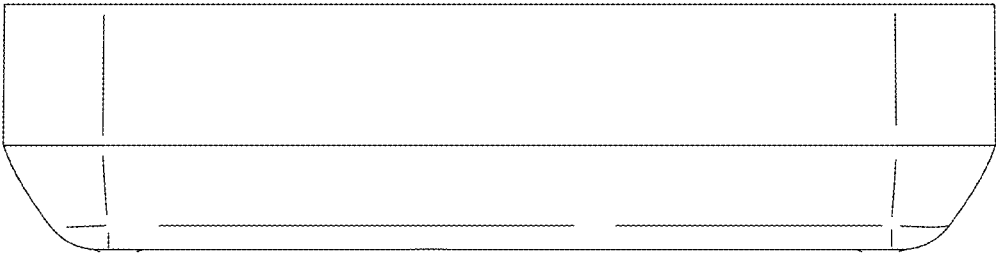


FIG. 4

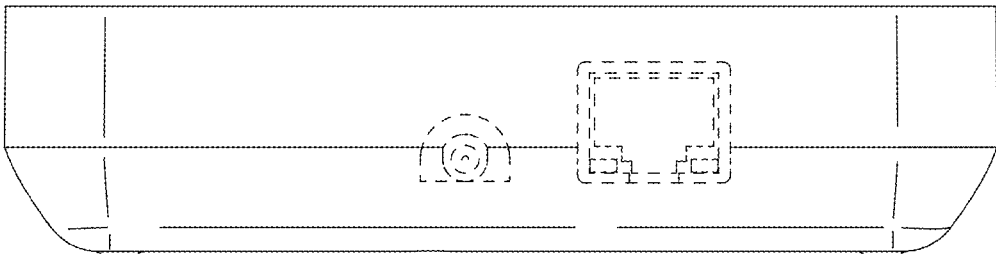


FIG. 5

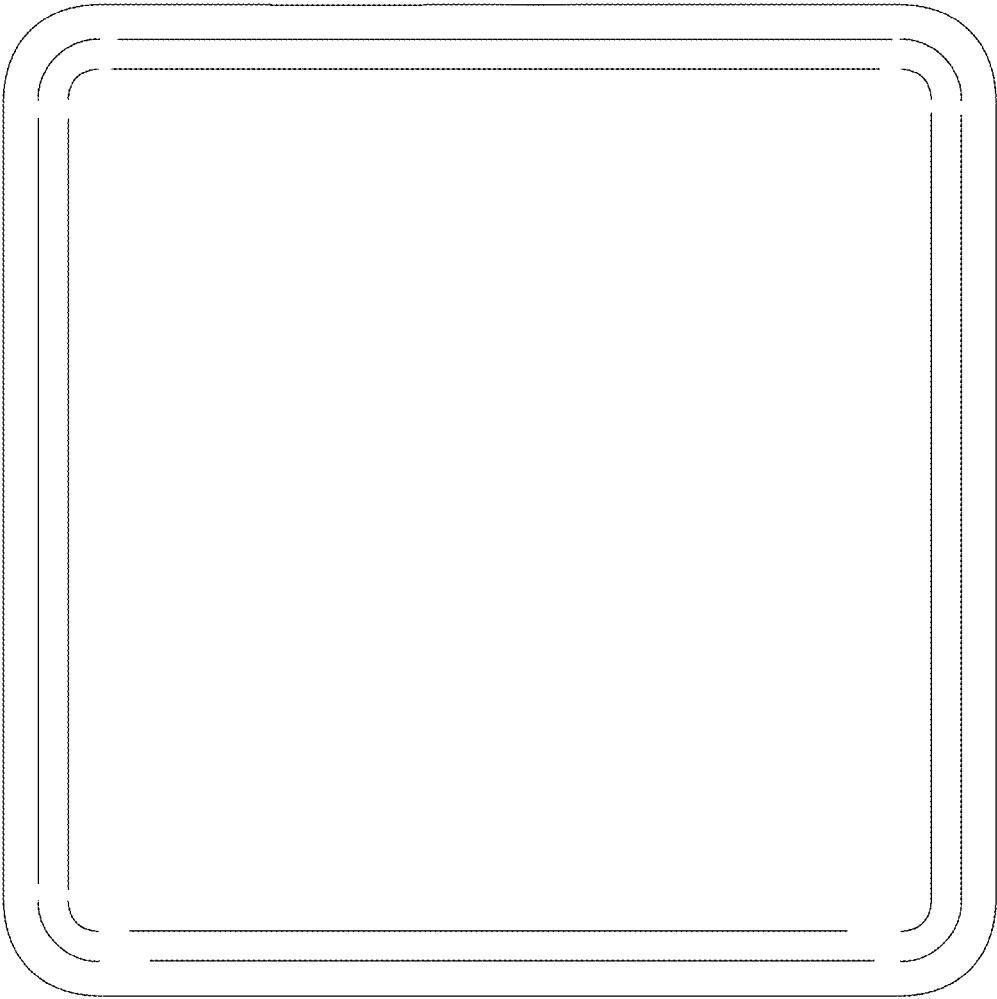


FIG. 6

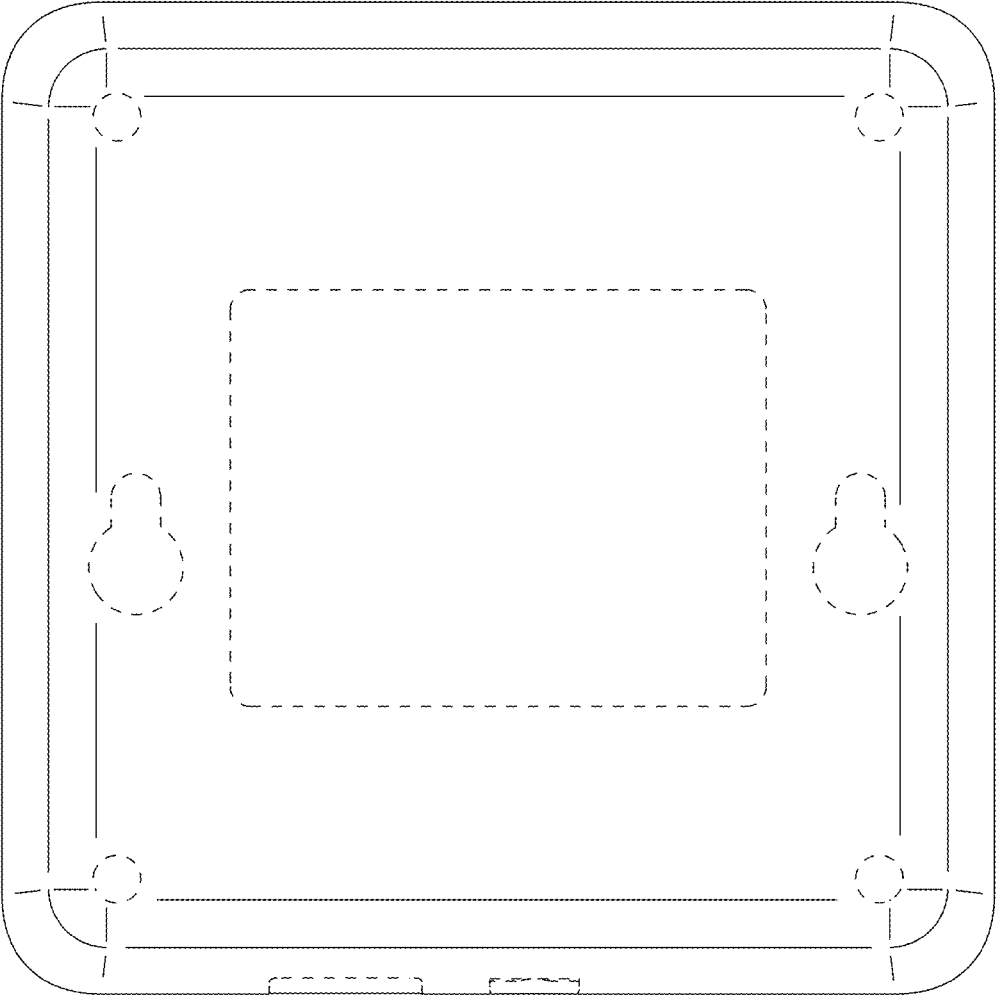


FIG. 7

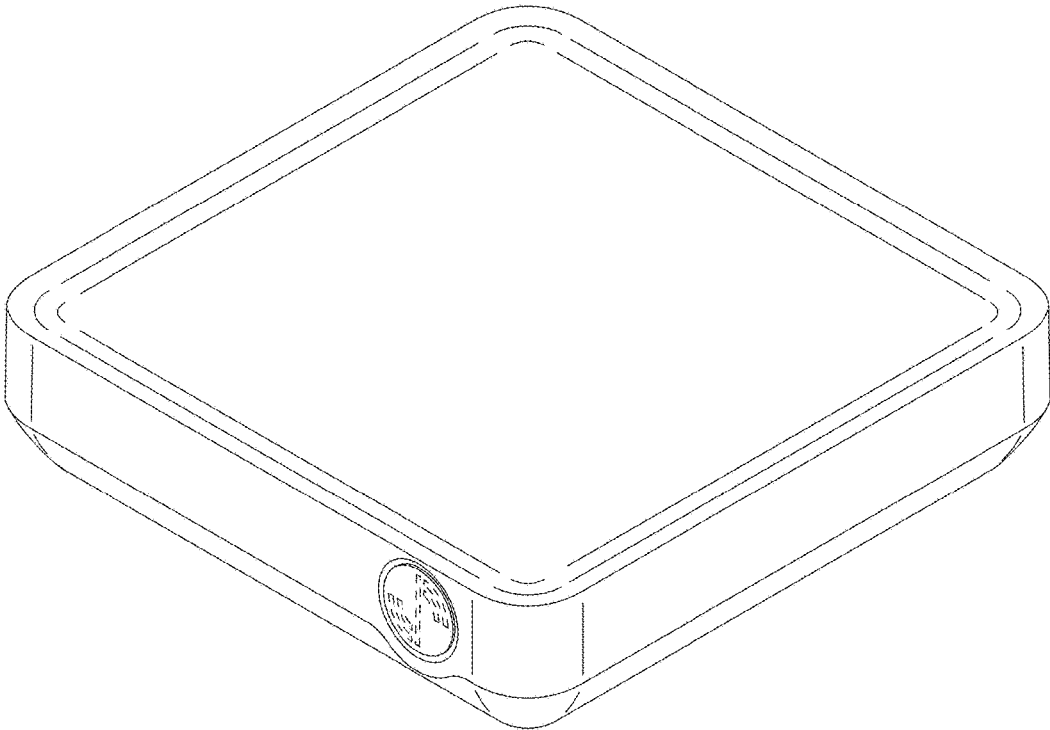


FIG. 8

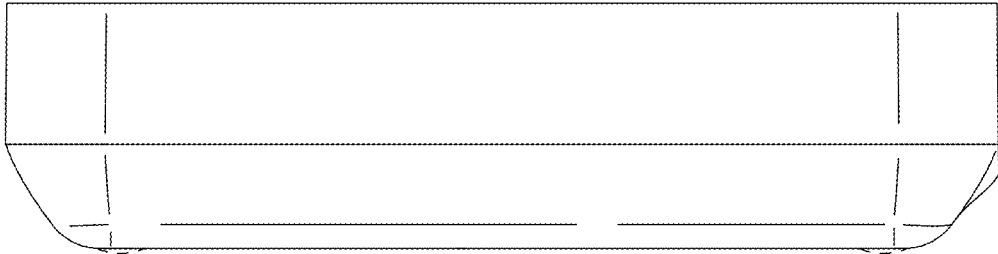


FIG. 9

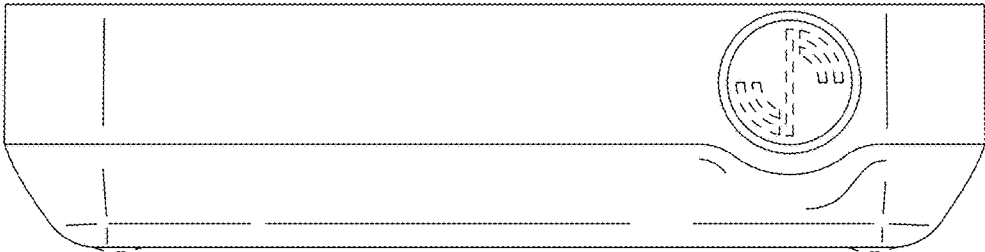


FIG. 10

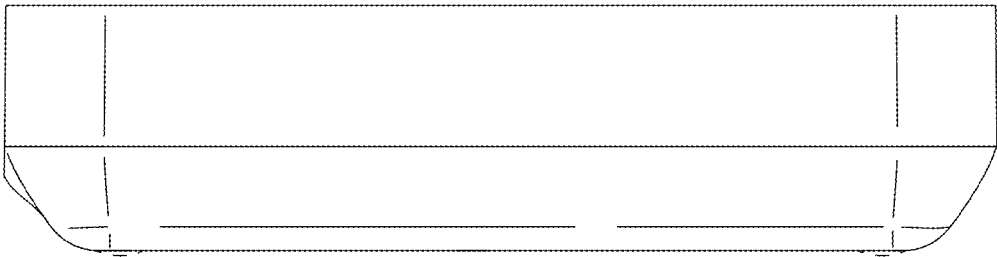


FIG. 11

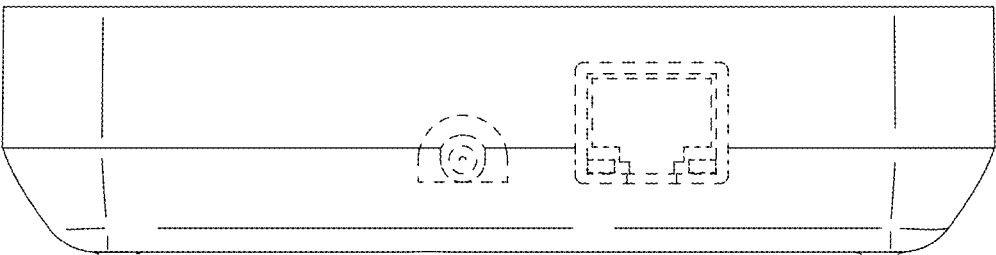


FIG. 12

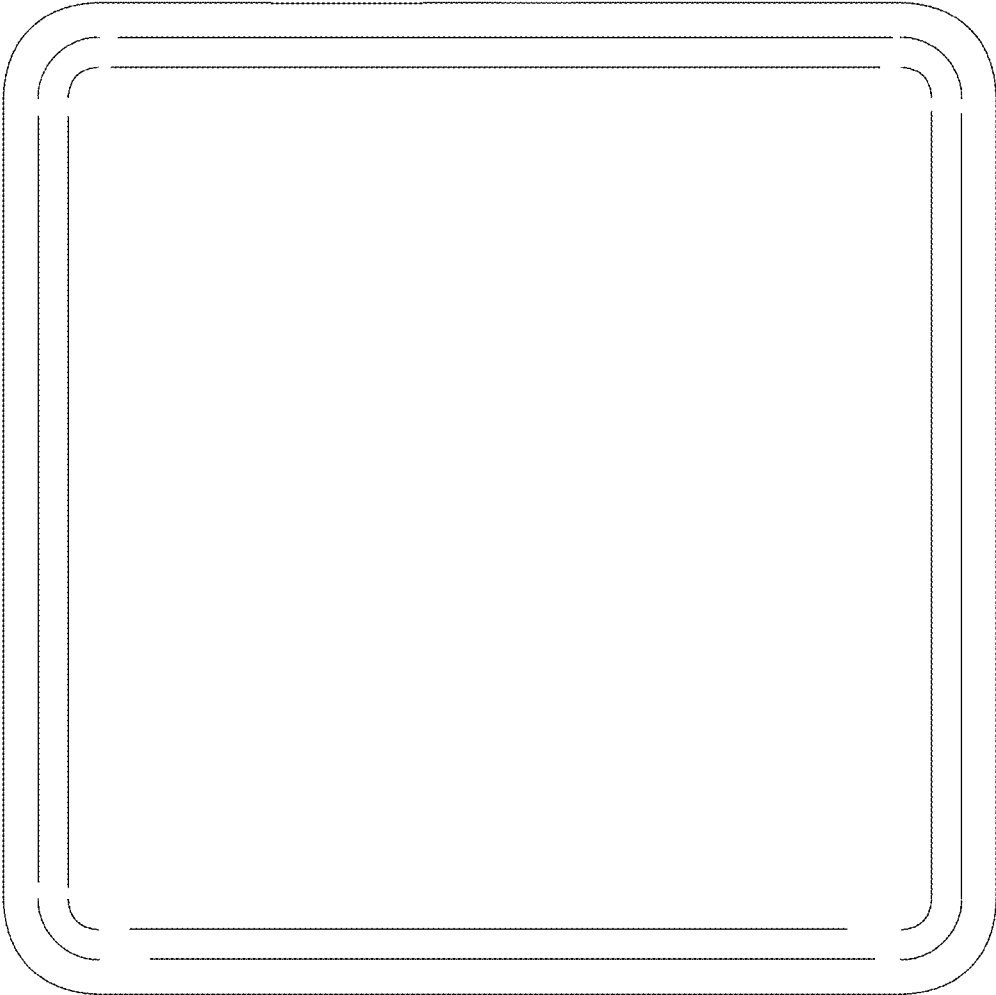


FIG. 13

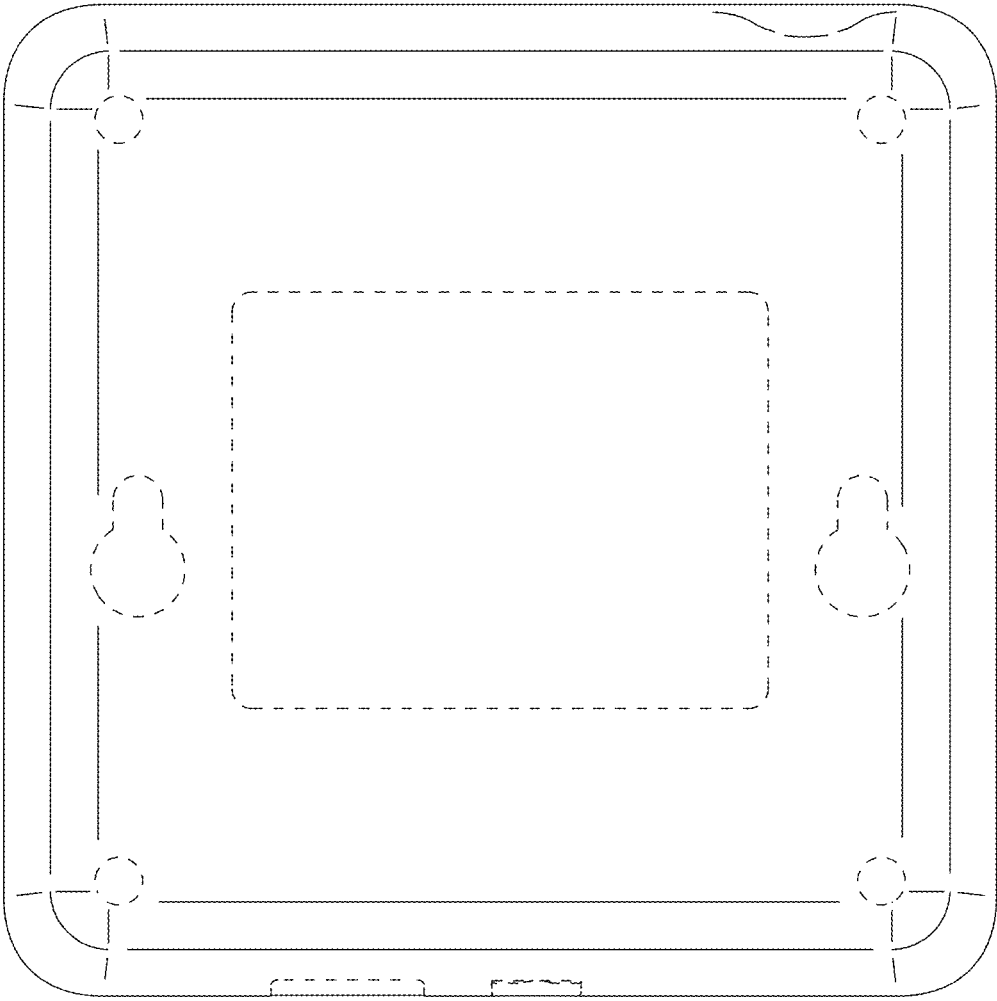


FIG. 14