



US00D658634S

(12) **United States Design Patent**  
**Son et al.**

(10) **Patent No.:** **US D658,634 S**

(45) **Date of Patent:** **\*\* May 1, 2012**

(54) **REMOTE CONTROLLER**

(75) Inventors: **Sung Ho Son**, Redmond, WA (US);  
**Gregory G. Jones**, Seattle, WA (US);  
**Steven W. Fisher**, Edmonds, WA (US)

(73) Assignee: **Microsoft Corporation**, Redmond, WA (US)

(\*\*) Term: **14 Years**

(21) Appl. No.: **29/341,665**

(22) Filed: **Aug. 10, 2009**

(51) **LOC (9) Cl.** ..... **14-03**

(52) **U.S. Cl.** ..... **D14/218**

(58) **Field of Classification Search** ..... D14/218,  
D14/455; D13/168; D21/566; D10/104,  
D10/106; 345/169; 348/14.05, 114, 211.99,  
348/734; 340/825.24; 341/22; 455/92, 95,  
455/128, 151.1–151.4, 352, 355, FOR. 121;  
700/65

See application file for complete search history.

(56) **References Cited**

**U.S. PATENT DOCUMENTS**

D282,162 S *	1/1986	Grimes	.....	D14/214
D325,559 S *	4/1992	Rosenbaum et al.	.....	D13/171
D391,924 S *	3/1998	Mayo et al.	.....	D13/168
6,680,673 B1 *	1/2004	Wong	.....	340/825.69
D496,003 S *	9/2004	Spira	.....	D13/168
D496,335 S *	9/2004	Spira	.....	D13/168
D512,043 S *	11/2005	Yagi	.....	D14/167

D525,948 S *	8/2006	Blair et al.	.....	D13/168
D528,992 S *	9/2006	Hobart et al.	.....	D13/168
D546,837 S *	7/2007	Yeo	.....	D14/496
D556,210 S *	11/2007	Choi et al.	.....	D14/496
D566,053 S *	4/2008	Derocher et al.	.....	D13/174
D567,801 S *	4/2008	Trappler	.....	D14/218
D573,577 S *	7/2008	Huang	.....	D14/155
D577,715 S *	9/2008	Lim et al.	.....	D14/240
D589,941 S *	4/2009	Maier et al.	.....	D14/218
D592,611 S *	5/2009	Altonen et al.	.....	D13/171
D596,623 S *	7/2009	Laine	.....	D14/218

\* cited by examiner

*Primary Examiner* — John Windmuller

(74) *Attorney, Agent, or Firm* — Banner & Witcoff, Ltd.

(57) **CLAIM**

The ornamental design for a remote controller, as shown and described.

**DESCRIPTION**

FIG. 1 is a top perspective view of the remote controller showing of our new design;

FIG. 2 is a top view thereof;

FIG. 3 is a bottom view thereof;

FIG. 4 is a right side view thereof;

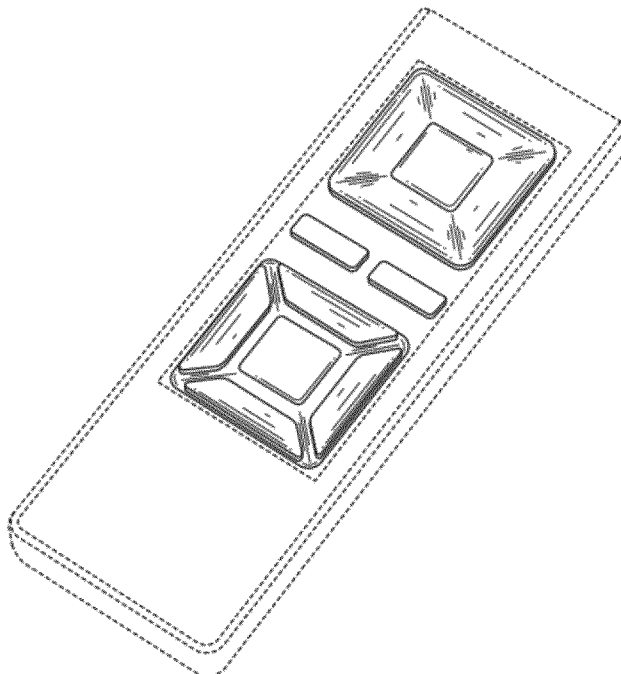
FIG. 5 is a left side view thereof;

FIG. 6 is a front view thereof; and,

FIG. 7 is a rear view thereof.

The broken line surrounding the shaded key region forms an unclaimed boundary of the design. The broken line showing of the remainder of the remote controller is for environmental purposes only and forms no part of the claimed design.

**1 Claim, 6 Drawing Sheets**



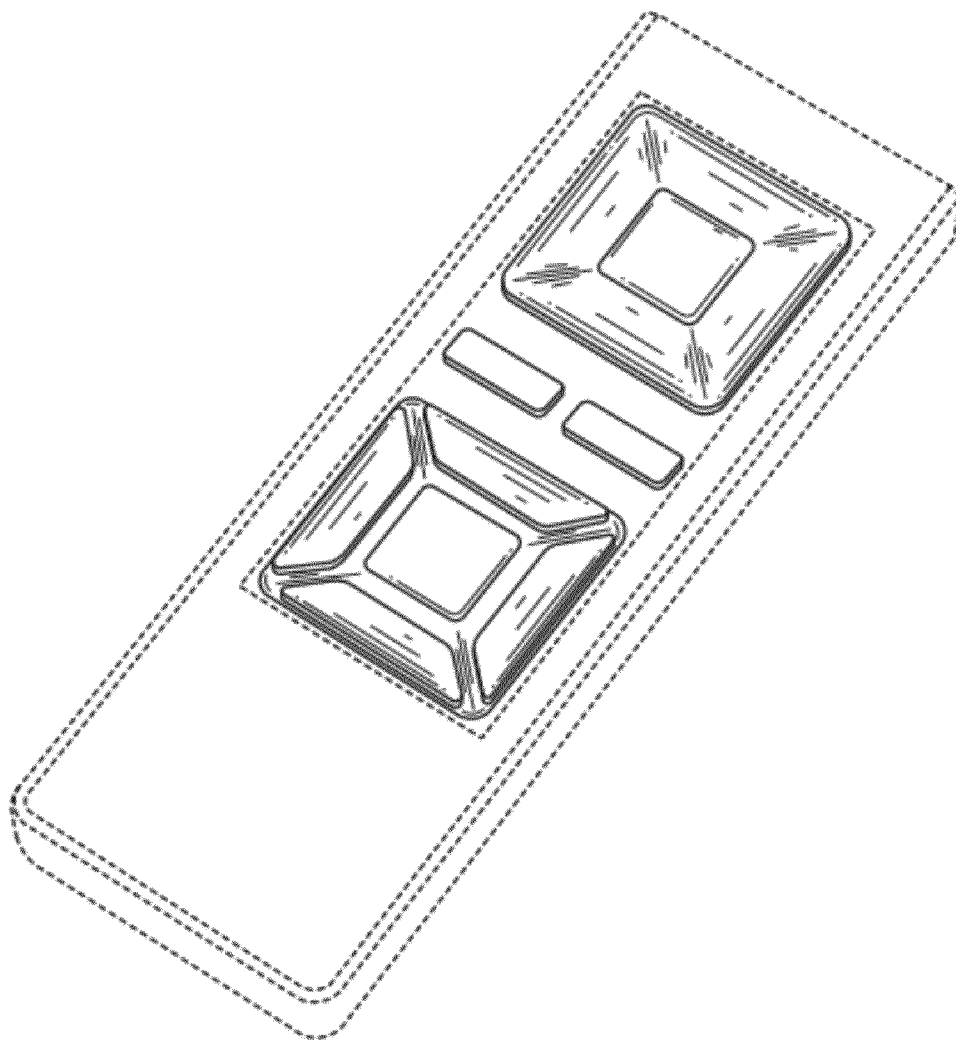


FIG. 1

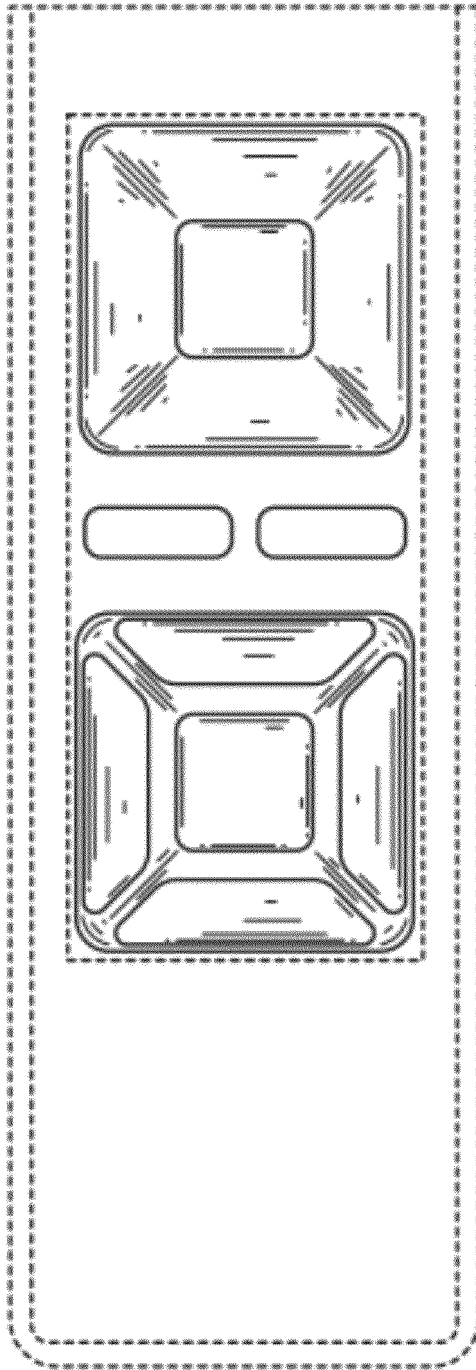


FIG. 2

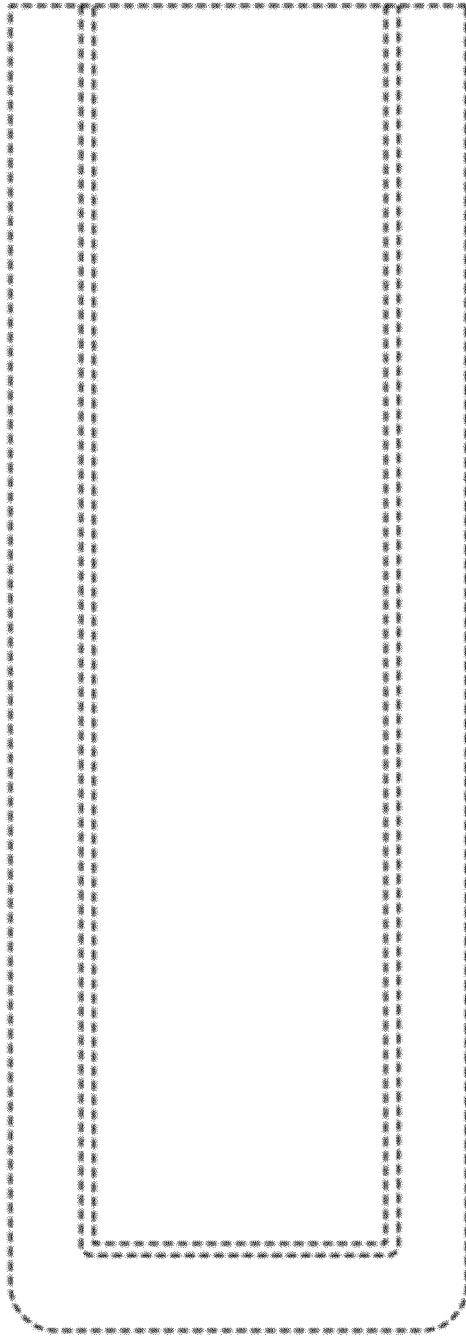


FIG. 3



FIG. 4



FIG. 5



FIG. 6

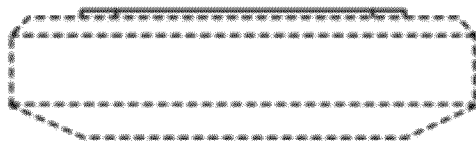


FIG. 7