



US00D799447S

(12) **United States Design Patent**
Zheng et al.

(10) **Patent No.:** **US D799,447 S**

(45) **Date of Patent:** **** Oct. 10, 2017**

(54) **GIMBAL WITH HANDLE**

(71) Applicant: **SZ DJI OSMO Technology Co., Ltd.**,
Shenzhen (CN)

(72) Inventors: **Haibin Zheng**, Shenzhen (CN); **Min Kim**, Shenzhen (CN)

(73) Assignee: **SZ DJI Osmo Technology Co., Ltd.**,
Shenzhen (CN)

(**) Term: **15 Years**

(21) Appl. No.: **29/601,445**

(22) Filed: **Apr. 21, 2017**

Related U.S. Application Data

(63) Continuation of application No. 29/566,534, filed on
May 31, 2016, now Pat. No. Des. 794,606.

(51) **LOC (10) Cl.** **14-03**

(52) **U.S. Cl.**
USPC **D14/217**

(58) **Field of Classification Search**

USPC D14/217, 253, 251, 252, 447, 451, 452,
D14/440, 434, 458, 432, 439, 453, 460,
D14/238.1, 140, 142, 149, 148; D13/107,
D13/108, 218; D12/415, 223; D34/28,
D34/32, 33; D16/200-208
CPC .. H04M 1/72527; H04M 1/04; H04M 1/0252;
H04M 1/72558; H04M 1/72561; H04M
3/42051; H04M 1/0216; H04M 1/0245;
H04M 1/0254; H04M 1/6075; H04M
1/6091; H04M 1/66; H04M 2250/22;
H04M 11/04; H04M 19/08; H04M 1/02;
H04M 1/0214; H04M 1/0274; H04M
1/03; H04M 1/05; H04M 1/11; H04M
1/2155; H04M 1/6033; H04M 1/6041;
H04M 1/6058; H04M 1/6066; H04M
1/72519; H04M 1/7253; H04M
2203/2038; H04M

(Continued)

(56) **References Cited**

U.S. PATENT DOCUMENTS

3,810,647 A 5/1974 Martchenke
4,864,335 A 9/1989 Corrales
(Continued)

FOREIGN PATENT DOCUMENTS

CN 303127592 S 3/2015
CN 303320443 S 8/2015
(Continued)

OTHER PUBLICATIONS

<http://news.mynavi.jp/news/2015/01/19/177/>; dated Jan. 19, 2015.
(Continued)

Primary Examiner — Ian Simmons

Assistant Examiner — Khawaja Anwar

(74) *Attorney, Agent, or Firm* — Sterne, Kessler,
Goldstein & Fox P.L.L.C.

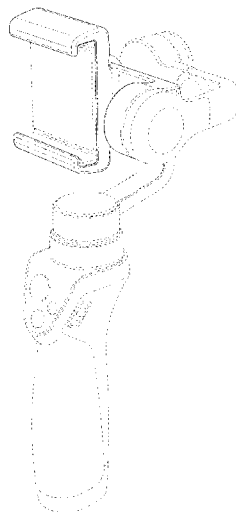
(57) **CLAIM**

The ornamental design for a gimbal with handle, as shown
and described.

DESCRIPTION

FIG. 1 is a top front perspective view of a gimbal with
handle showing the claimed design;
FIG. 2 is a top rear perspective view thereof;
FIG. 3 is a front view thereof;
FIG. 4 is a rear view thereof;
FIG. 5 is a right side view thereof;
FIG. 6 is a left side view thereof;
FIG. 7 is a top view thereof; and,
FIG. 8 is a bottom view thereof.
The broken lines in the figures show portions of the gimbal
with handle that form no part of the claimed design.

1 Claim, 7 Drawing Sheets



(58) **Field of Classification Search**
 CPC 2250/12; H04M 2250/52; H04M 3/42042;
 H04M 3/4365
 See application file for complete search history.

2015/0191124 A1* 7/2015 Du F16M 13/022
 248/205.4
 2015/0323856 A1 11/2015 Nordhaug
 2015/0346590 A1 12/2015 Lewis
 2016/0088748 A1 3/2016 Lin
 2016/0288730 A1 10/2016 Lee et al.

(56) **References Cited**

U.S. PATENT DOCUMENTS

5,021,813 A 6/1991 Corrales
 D320,995 S 10/1991 Fukuda et al.
 6,366,672 B1 4/2002 Tsay
 6,923,686 B1 8/2005 Cheng
 7,158,092 B2 1/2007 Shen
 D580,474 S 11/2008 Lee et al.
 D590,867 S 4/2009 Schenone et al.
 D619,586 S 7/2010 Richter
 D626,541 S 11/2010 Kim et al.
 8,087,625 B2 1/2012 Chang
 D670,284 S 11/2012 Choi
 D678,387 S 3/2013 Stump et al.
 D690,707 S 10/2013 Minn et al.
 D709,074 S 7/2014 Tsui et al.
 8,780,263 B2 7/2014 Orf
 D713,398 S * 9/2014 Alesi D14/253
 D715,790 S 10/2014 Conomos et al.
 D715,791 S 10/2014 Yu
 D716,788 S * 11/2014 Volkan D13/108
 D720,344 S 12/2014 Yu
 8,915,660 B1 12/2014 Ben Yehuda et al.
 D727,333 S 4/2015 Shih et al.
 D732,519 S 6/2015 Aspinall et al.
 D733,115 S 6/2015 Aspinall et al.
 9,203,946 B2 12/2015 Zajeski et al.
 D747,399 S 1/2016 Stump et al.
 D753,126 S * 4/2016 Alesi D14/447
 D753,205 S * 4/2016 Stark D16/203
 D759,335 S * 6/2016 Kim D34/28
 D765,646 S * 9/2016 Deng D12/415
 D765,651 S 9/2016 Liu et al.
 D766,230 S 9/2016 Shepard
 D767,556 S * 9/2016 Lee D12/415
 D768,125 S 10/2016 Kim
 D769,235 S 10/2016 Li
 D769,860 S 10/2016 Xiao
 D773,449 S * 12/2016 Mellano D14/253
 D777,720 S * 1/2017 Russell D14/253
 D779,580 S 2/2017 Jia
 D780,743 S 3/2017 Chun
 D783,012 S 4/2017 Lee
 D783,013 S 4/2017 Chun
 D783,592 S 4/2017 Ju
 D784,997 S 4/2017 Cheng et al.
 2006/0285844 A1 12/2006 Hershenzon
 2008/0242154 A1 10/2008 Dixon et al.
 2009/0308993 A1 12/2009 Chang
 2010/0237206 A1 9/2010 Barker
 2014/0071339 A1 3/2014 Baker
 2014/0097306 A1* 4/2014 Hale F16M 13/022
 248/122.1
 2014/0176062 A1 6/2014 Jung
 2015/0077630 A1 3/2015 Miller
 2015/0090849 A1 4/2015 Breitweiser et al.

FOREIGN PATENT DOCUMENTS

CN 303320450 S 8/2015
 CN 303348679 S 8/2015
 CN 303440091 S 11/2015
 CN 303509498 S 12/2015
 CN 303572923 S 1/2016
 CN 303612732 S 3/2016
 CN 303648342 S 4/2016
 CN 303805800 8/2016
 JP D1141667 5/2002
 JP D1208203 6/2004
 JP D1420793 8/2011
 JP D1453628 10/2012
 KR 30-0790778 4/2015
 KR 30-0792883 4/2015
 KR 30-0818012 10/2015
 KR 30-0831427 12/2015
 KR 30-0873632 9/2016
 KR 300873632 9/2016
 KR 30-0879205 11/2016
 KR 300879205 11/2016
 KR 30-0884489 12/2016
 KR 300884489 12/2016

OTHER PUBLICATIONS

<http://news.mynavi.jp/photo/news/2015/01/19/177/images/0011.jpg>; dated Jan. 19, 2015.
<http://news.mynavi.jp/photo/news/2015/01/19/177/images/0041.jpg>; dated Jan. 19, 2015.
<http://news.mynavi.jp/photo/news/2015/01/19/177/images/0051.jpg>; dated Jan. 19, 2015.
<http://news.mynavi.jp/photo/news/2015/01/19/177/images/0121.jpg>; dated Jan. 19, 2015.
<http://k-tai.watch.impress.co.jp/docs/column/stapa/687357.html>; dated Feb. 9, 2015.
 “Swiftcam M3 Auto-stabilizing Hand Held Holder Gimbal for Smartphone Mobile Phone,” ebay, <URL: <http://www.ebay.com/itm/Swiftcam-M3-Auto-stabilizing-Hand-Held-Holder-Gimbal-For-Smartphone-Mobile-Phone-/181421925183>>; date accessed: Apr. 25, 2017.
 “WenPod SP2 Digital Stabilizer Gimbal Smart Phone Holder,” zapals, <URL: <https://www.zapals.com/wenpod-sp2-digital-stabilizer-gimbal-smart-phone-holder.html>>; date accessed: Apr. 25, 2017.
 “Smartphone Mount Holder for Feiyu Tech G3 Ultra 2 / 3-Axis Steadycam Handheld Gimbal Stabilizer Phone Holder,” Bigup Gadgets, <URL: <http://bigupgadgets.com/smartphone-mount-holder-for-feiyu-tech-g3-ultra-2-3-axis-steadycam-handheld-gimbal-stabilizer-phone-holder.html>>, dated accessed: Apr. 25, 2017.

* cited by examiner

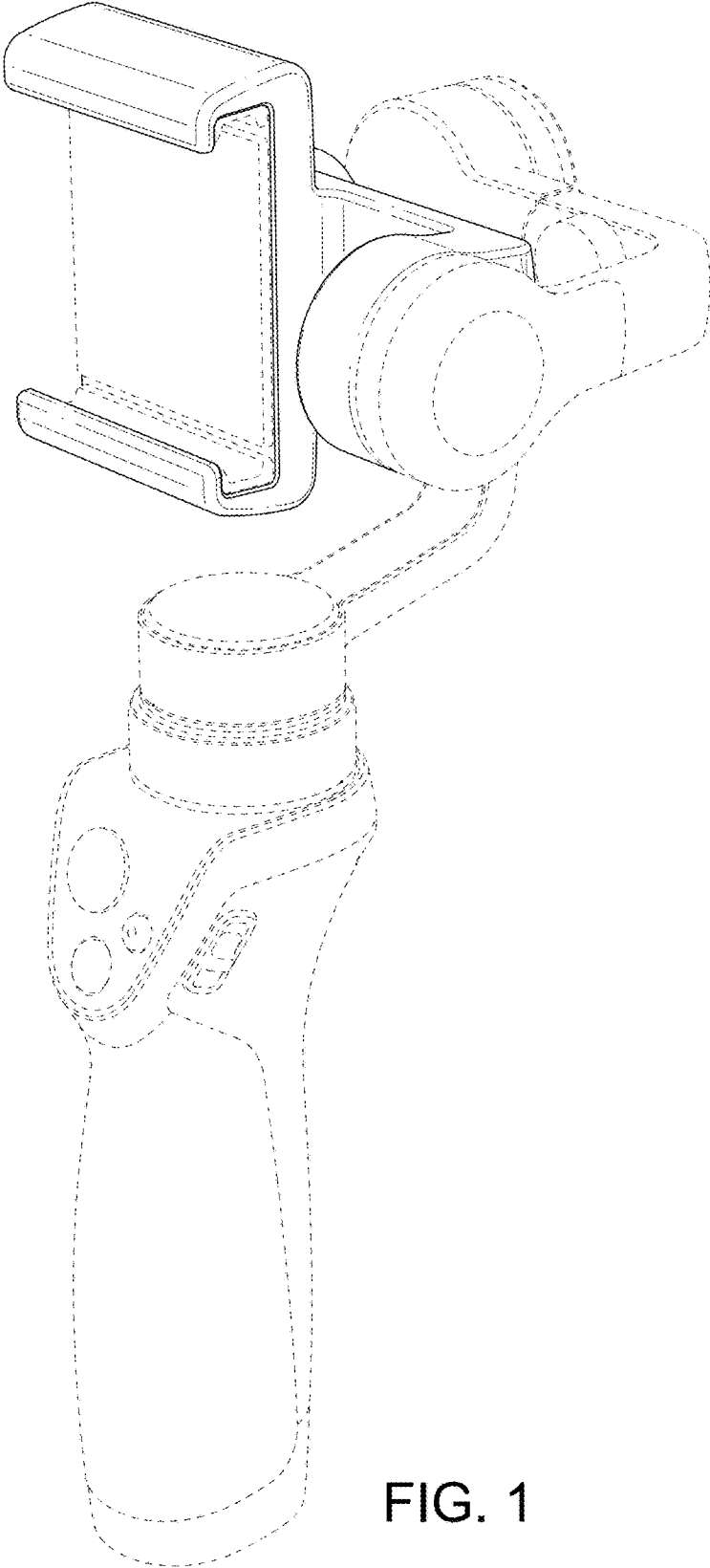


FIG. 1

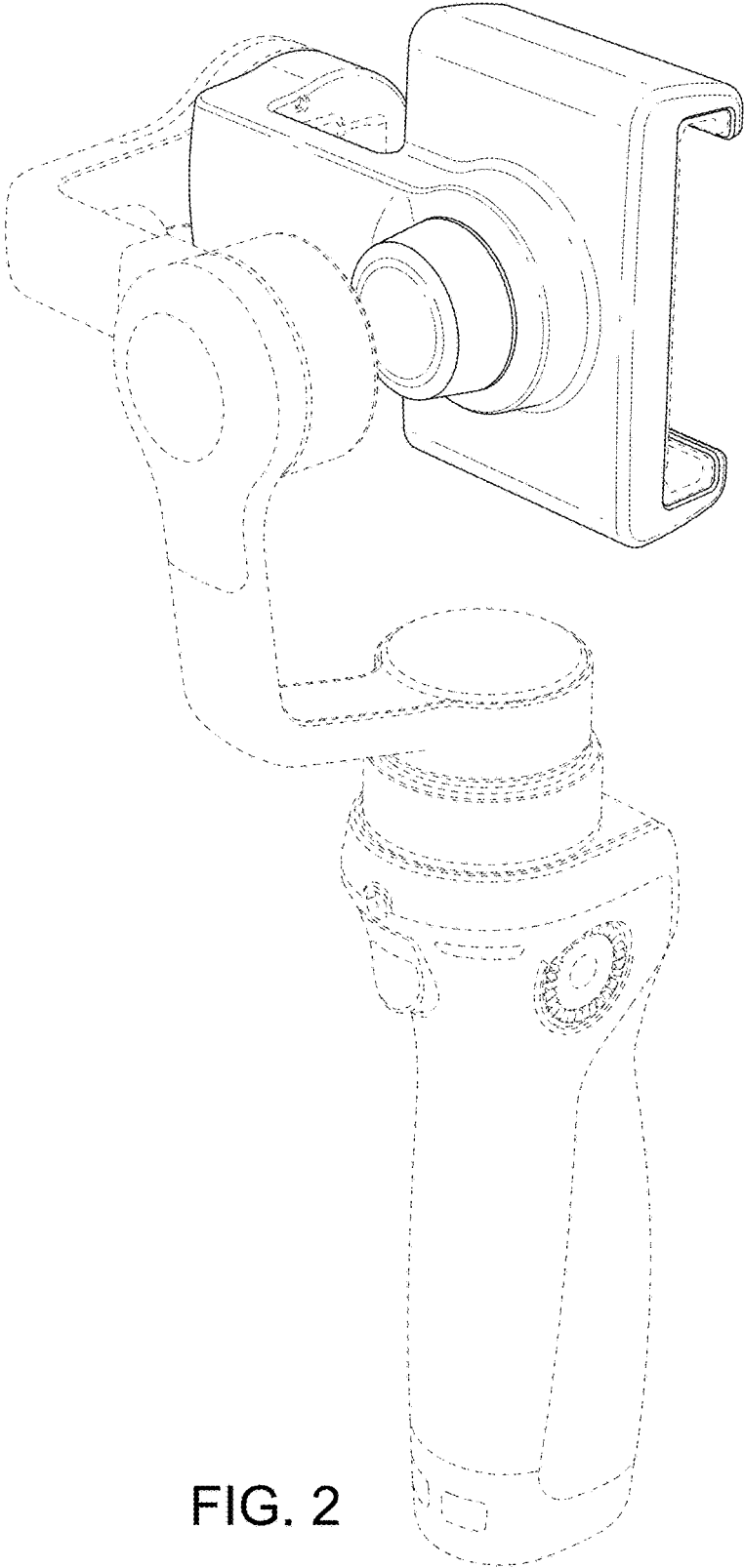


FIG. 2

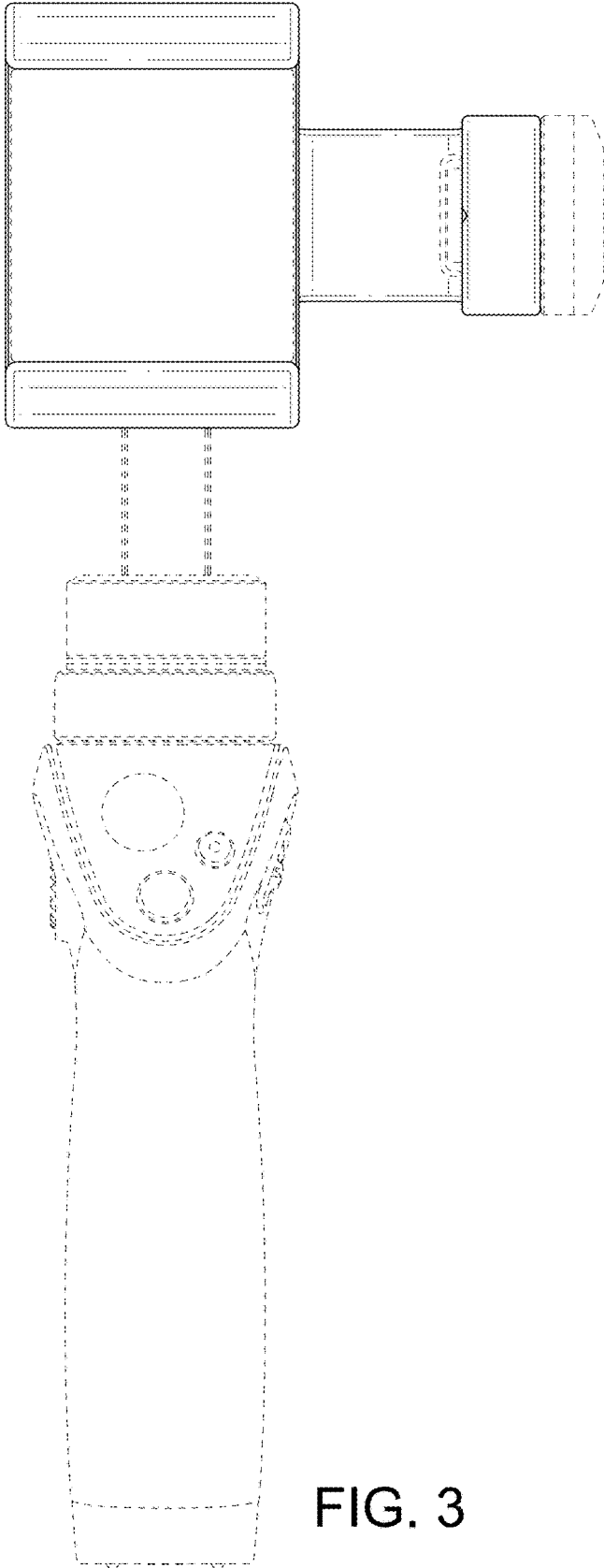


FIG. 3

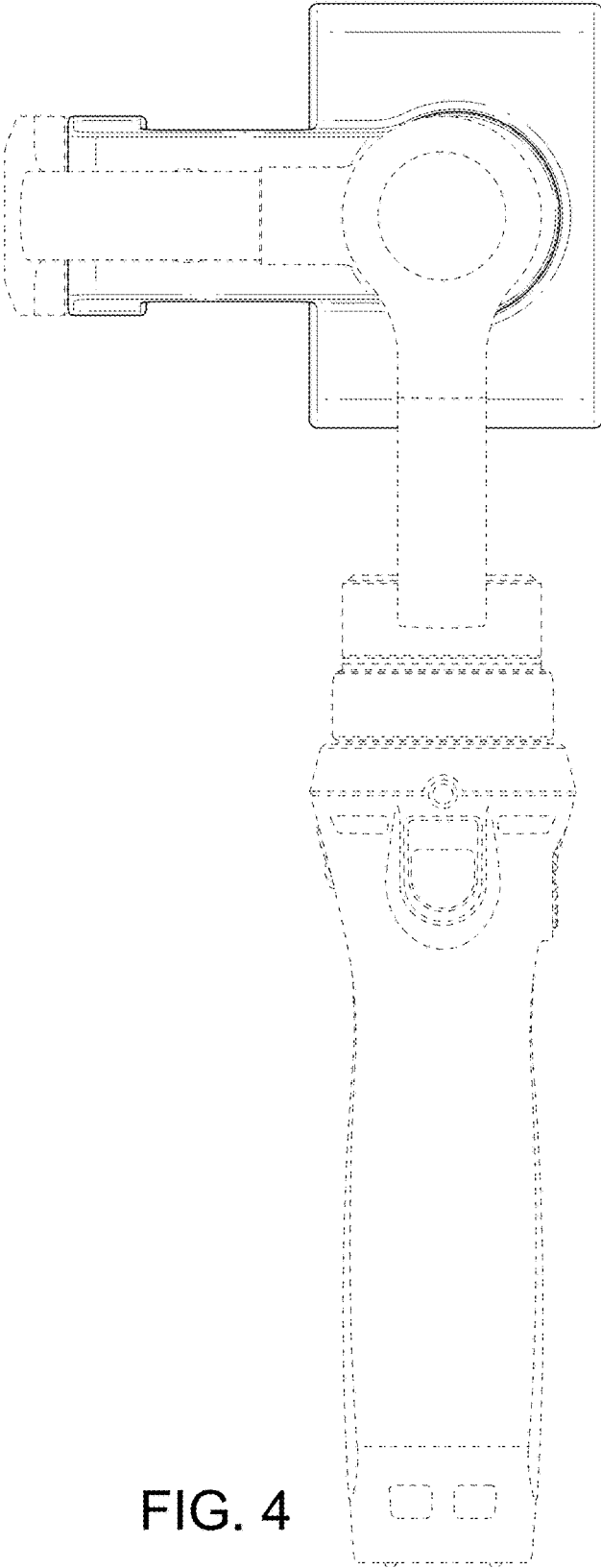


FIG. 4

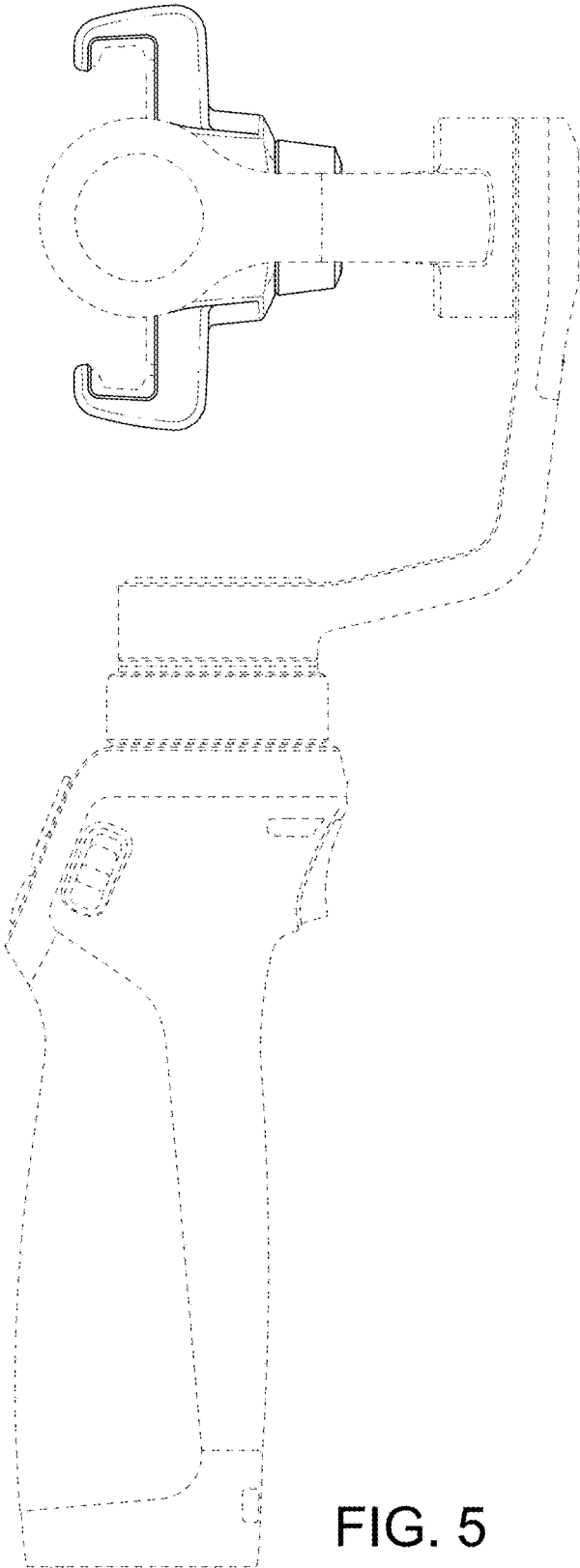


FIG. 5

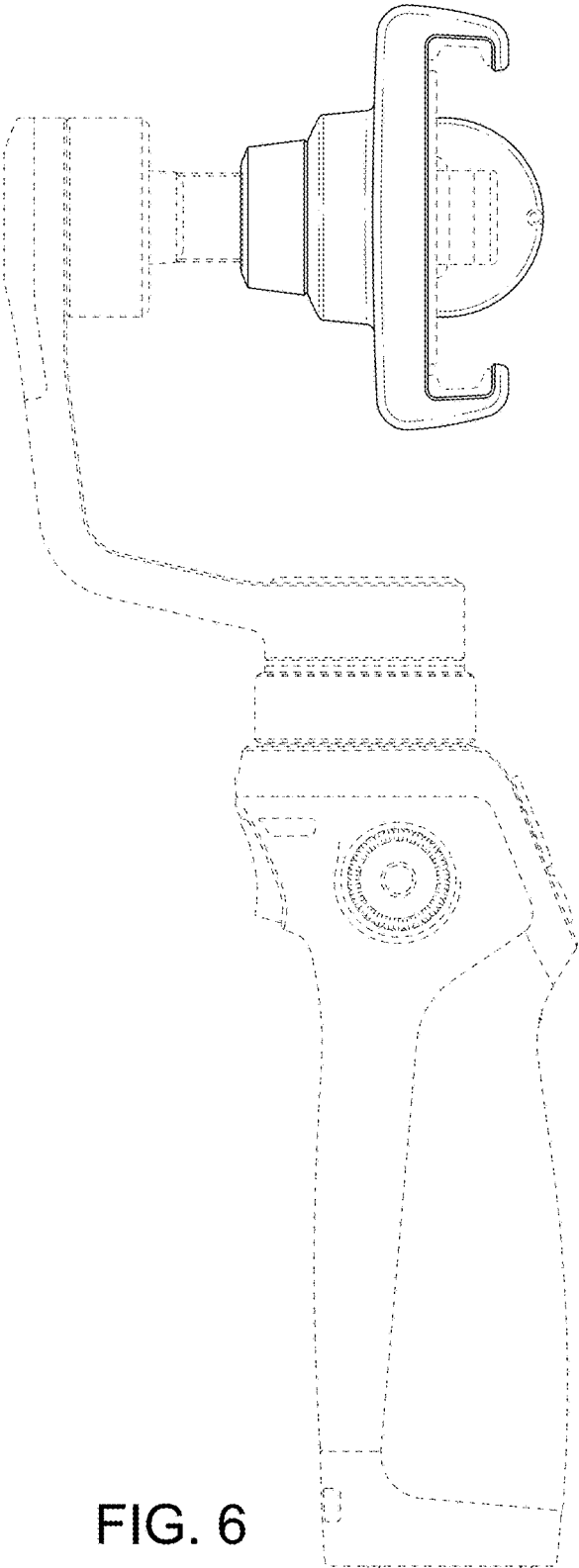


FIG. 6

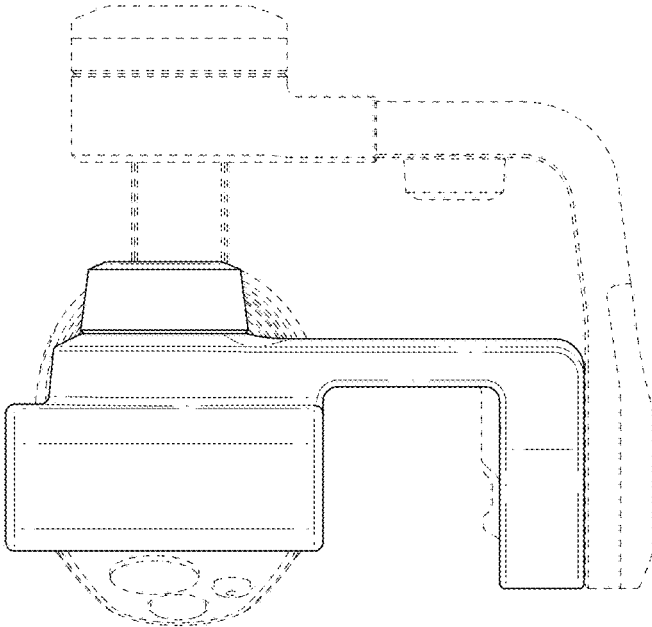


FIG. 7

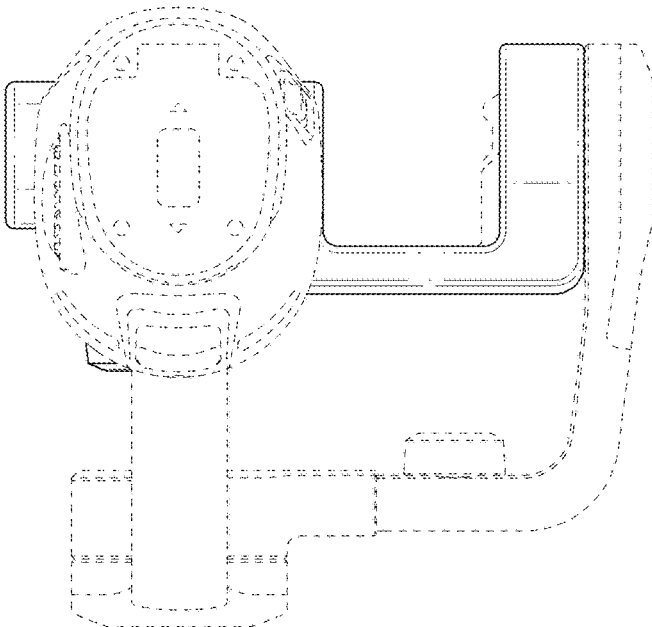


FIG. 8