



(12) **United States Design Patent**  
**Guzzo**

(10) **Patent No.:** **US D912,979 S**  
(45) **Date of Patent:** **\*\* Mar. 16, 2021**

(54) **BAG**  
(71) Applicant: **MINDS OF EARTH LTD**, London  
(GB)

A45C 7/0095; A45C 2011/001; A45C  
2011/002; A45C 2011/003; A45C 11/20;  
A45C 13/02; A45C 13/03; A45C  
2013/025; A45C 2013/026

See application file for complete search history.

(72) Inventor: **Gabriele Guzzo**, London (GB)

(\*\*) Term: **15 Years**

(56) **References Cited**

U.S. PATENT DOCUMENTS

(21) Appl. No.: **35/508,094**

(22) Filed: **Oct. 17, 2019**

(80) **Hague Agreement Data**

Int. Filing Date: **Oct. 17, 2019**  
Int. Reg. No.: **DM/204518**  
Int. Reg. Date: **Oct. 17, 2019**  
Int. Reg. Pub. Date: **Dec. 13, 2019**

D533,719	S	*	12/2006	Spade	.....	D3/324
D695,517	S	*	12/2013	Sassi	.....	D3/243
D728,225	S	*	5/2015	McNamara	.....	D3/243
D756,632	S	*	5/2016	Frisoni	.....	D3/243
D765,969	S	*	9/2016	Bonesi	.....	D3/243
D770,766	S	*	11/2016	Slimane	.....	D3/243
D787,178	S	*	5/2017	Maier	.....	D3/232
D809,789	S	*	2/2018	Fusi	.....	D3/243
D829,438	S	*	10/2018	Sukhaya	.....	D3/243
D836,908	S	*	1/2019	Chiuri	.....	D3/232
D855,975	S	*	8/2019	Fusi	.....	D3/232
D880,150	S	*	4/2020	Fusi	.....	D3/243
D885,048	S	*	5/2020	Guzzo	.....	D3/245
D885,756	S	*	6/2020	Guzzo	.....	D3/245
D893,865	S	*	8/2020	Galanti	.....	D3/243

(51) **LOC (13) Cl.** ..... **03-01**

(52) **U.S. Cl.** ..... **D3/245**  
USPC ..... **D3/245**  
CPC ..... **A45C 1/04** (2013.01)

\* cited by examiner

(58) **Field of Classification Search**

USPC ..... D3/201, 215–218, 226, 232–233,  
D3/239–254, 260, 269, 271.12, 272–302,  
D3/307, 315, 318–328, 905  
CPC .. A45C 1/00; A45C 1/02; A45C 1/024; A45C  
1/04; A45C 1/06; A45C 2001/022; A45C  
2001/067; A45C 2001/083; A45C  
2001/086; A45C 2001/101; A45C  
2001/102; A45C 3/00; A45C 3/001; A45C  
3/04; A45C 3/045; A45C 3/06; A45C  
3/10; A45C 5/00; A45C 5/03; A45C 5/04;  
A45C 5/06; A45C 5/08; A45C 5/14;  
A45C 5/141; A45C 5/146; A45C  
2005/032; A45C 2005/035; A45C  
2005/037; A45C 2005/142; A45C  
2005/147; A45C 2005/148; A45C 7/00;  
A45C 7/0018; A45C 7/005; A45C  
7/0045; A45C 7/0054; A45C 7/0059;

*Primary Examiner* — Richard E Chilcot

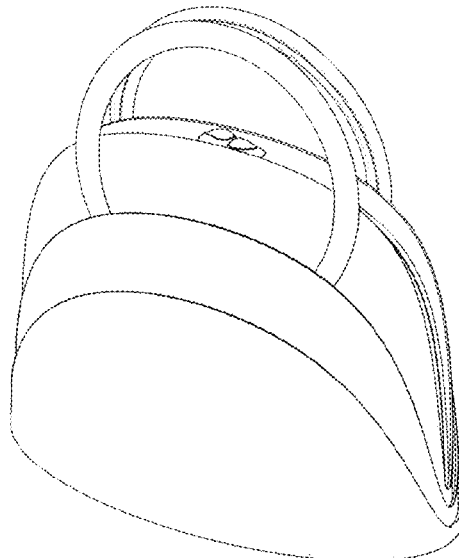
(57) **CLAIM**

The ornamental design for a bag, as shown and described.

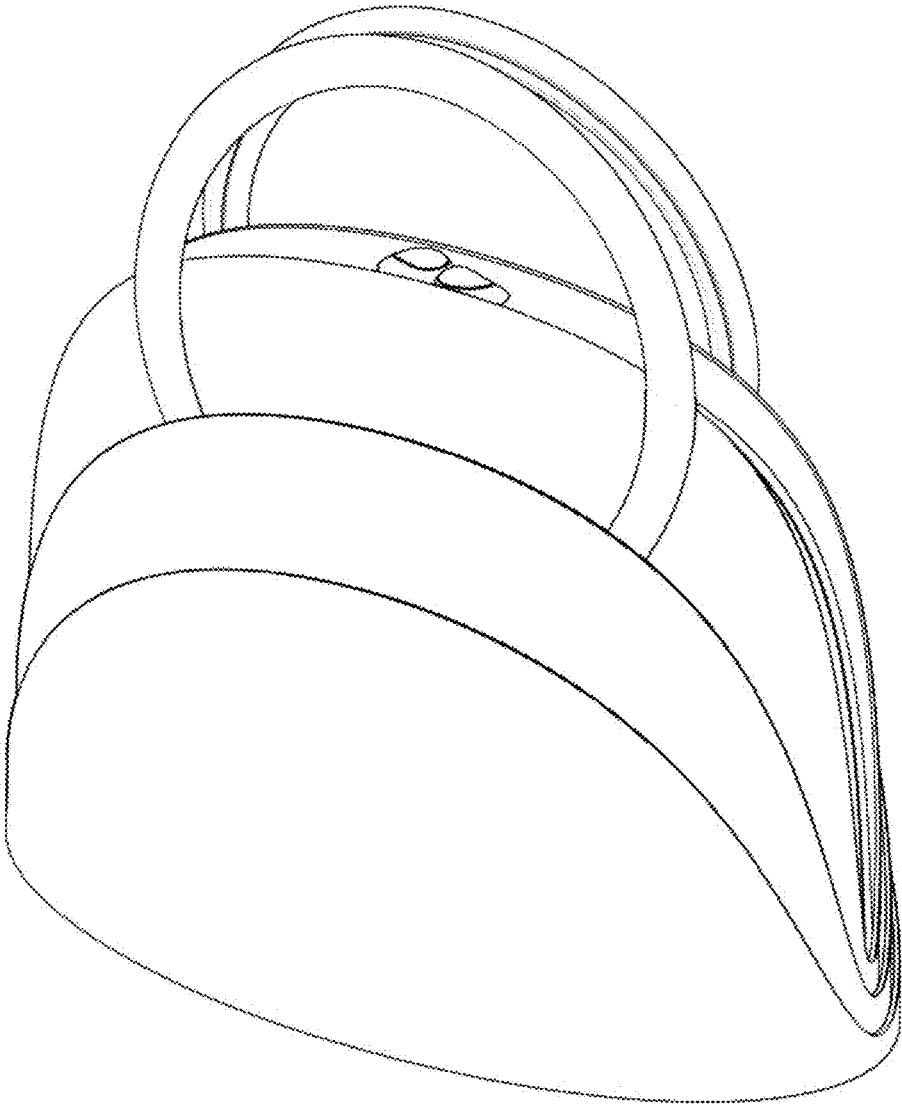
**DESCRIPTION**

- 1. Bag
- 1.1 : Perspective
- 1.2 : Front
- 1.3 : Back
- 1.4 : Right
- 1.5 : Left
- 1.6 : Top
- 1.7 : Bottom

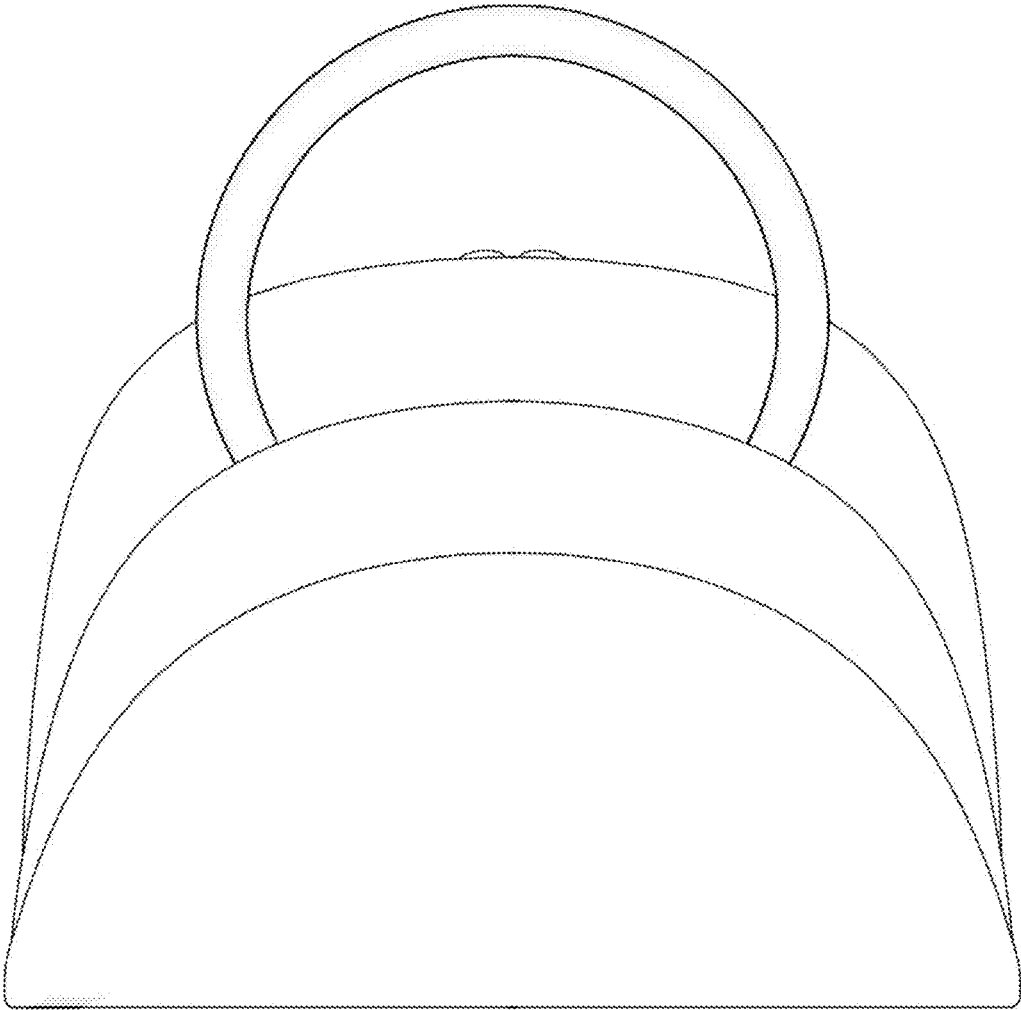
**1 Claim, 7 Drawing Sheets**



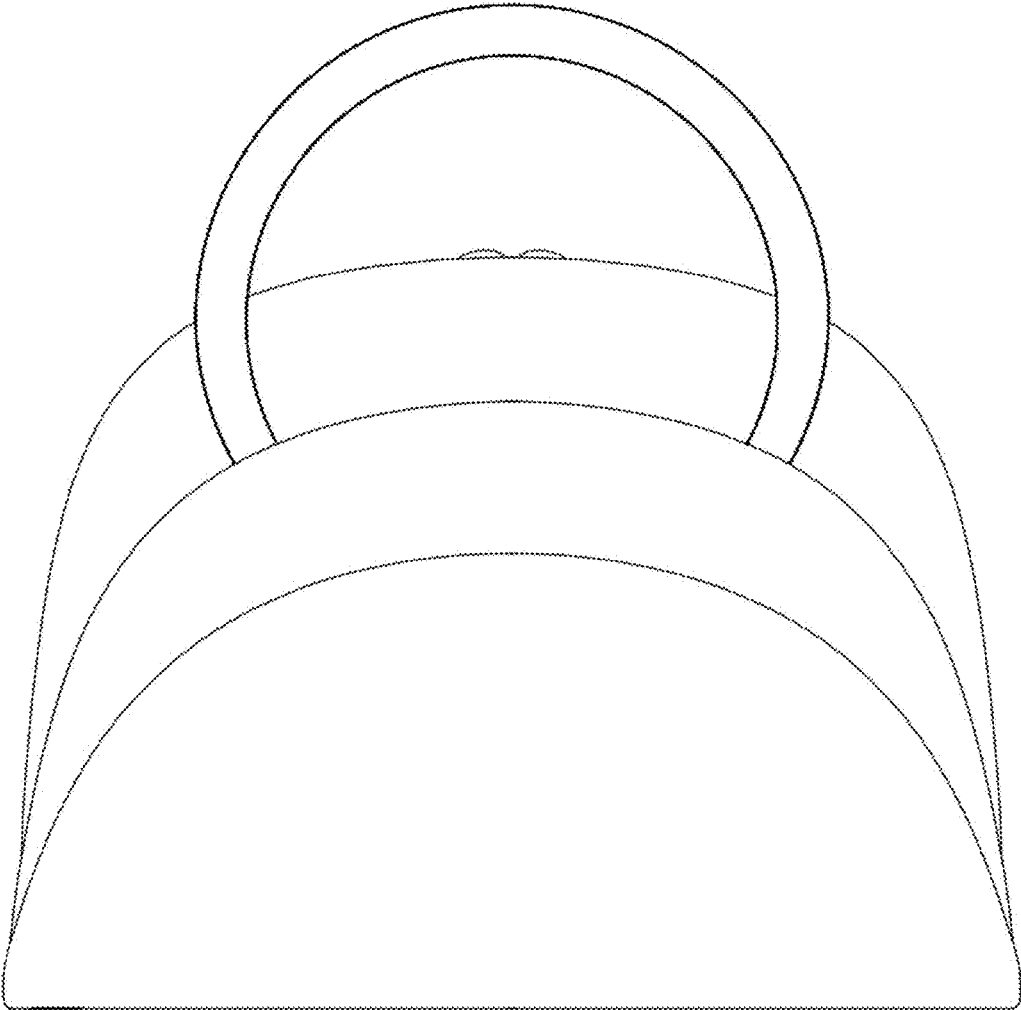
1.1



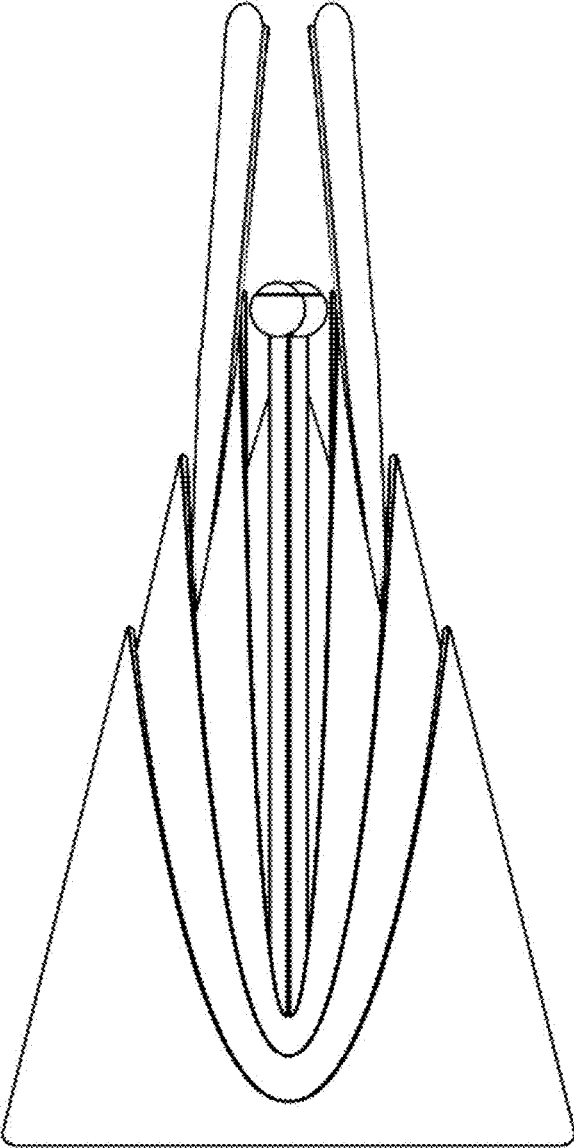
1.2



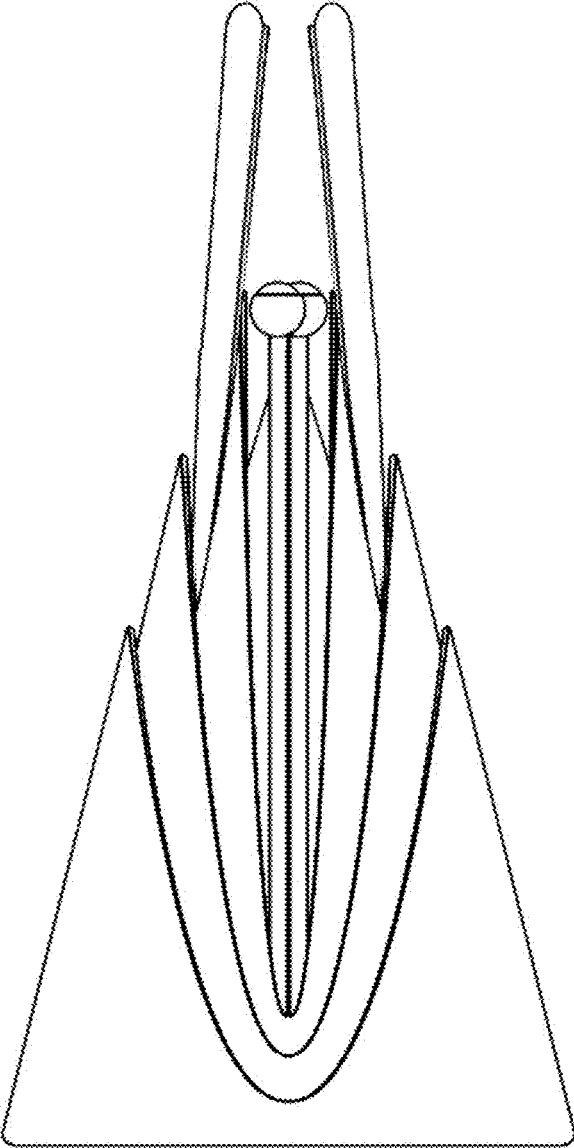
1.3



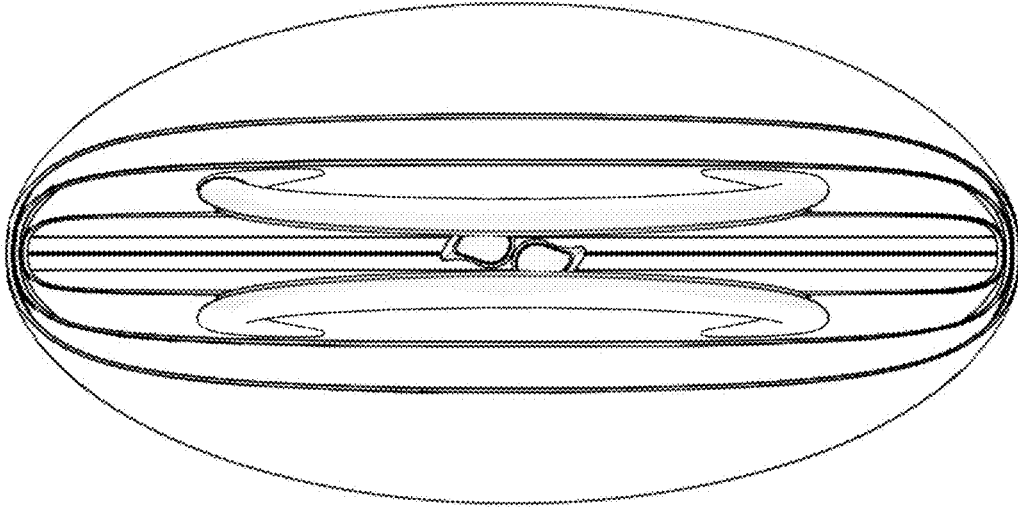
1.4



1.5



1.6



1.7

