



US00D937089S

(12) **United States Design Patent**  
**Bravman et al.**

(10) **Patent No.:** **US D937,089 S**

(45) **Date of Patent:** **\*\* Nov. 30, 2021**

- (54) **BOTTLE WITH CAP**
- (71) Applicant: **Billie, Inc.**, New York, NY (US)
- (72) Inventors: **Jason Bravman**, New York, NY (US);  
**Georgina Gooley**, Brooklyn, NY (US);  
**Julia Nimocks**, Brooklyn, NY (US);  
**Noemie Le Coz**, Brooklyn, NY (US);  
**Dylan Johnson**, Brooklyn, NY (US);  
**Dilan Walpola**, Plano, TX (US); **Daniel Nelson**, Plano, TX (US)

D553,254 S *	10/2007	Colin .....	D9/500
D608,202 S *	1/2010	Caroen .....	D9/500
D613,165 S *	4/2010	Lane .....	D9/500
D626,417 S *	11/2010	Kim .....	D9/503
D639,177 S *	6/2011	Pape .....	D9/550
D734,154 S *	7/2015	Johnson .....	D9/500
D739,083 S *	9/2015	Ho .....	D9/556
D763,696 S *	8/2016	Eisen .....	D9/529
D782,321 S *	3/2017	Ihorovych .....	D9/558
D859,998 S *	9/2019	Lee .....	D9/503
D866,338 S *	11/2019	Eisen .....	D9/503
D917,290 S *	4/2021	Bravman .....	D9/500
D920,791 S *	6/2021	Chupak .....	D9/500

(73) Assignee: **Billie, Inc.**, New York, NY (US)

**FOREIGN PATENT DOCUMENTS**

(\*\*) Term: **15 Years**

EM	004670974-0001	*	1/2018
JP	D1298654	*	4/2007

(21) Appl. No.: **29/719,080**

\* cited by examiner

(22) Filed: **Dec. 31, 2019**

*Primary Examiner* — Brett Miller

(51) **LOC (13) Cl.** ..... **09-01**

*Assistant Examiner* — Rani J Abdallah

(52) **U.S. Cl.**  
USPC ..... **D9/503**; D9/453; D9/575

(74) *Attorney, Agent, or Firm* — Lowenstein Sandler LLP

(58) **Field of Classification Search**  
USPC ..... D9/500–505, 516, 519, 523, 529, 549,  
D9/550, 556, 558, 563, 575, 547, 548,  
D9/453

(57) **CLAIM**

The ornamental design of a bottle with cap, as substantially shown and described.

CPC .... B65D 1/0246; B65D 41/04; B65D 1/0223;  
B65D 2543/00092; Y10S 220/906  
See application file for complete search history.

**DESCRIPTION**

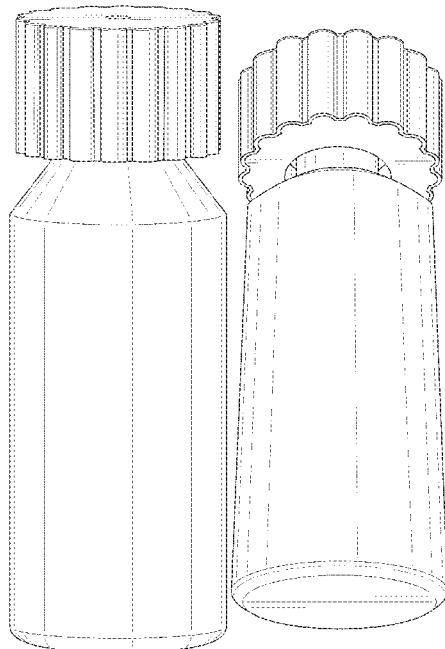
FIG. 1 is a perspective view of a bottle with cap in accordance with the present invention; FIG. 2 is another perspective view thereof; FIG. 3 is an elevation view thereof; FIG. 4 is a top plan view thereof; and, FIG. 5 is a bottom plan view thereof. The portions of the bottle with cap shown in broken lines form no part of the claimed design.

(56) **References Cited**

**U.S. PATENT DOCUMENTS**

D332,050 S *	12/1992	Schmidt .....	D9/502
D335,451 S *	5/1993	Schmidt .....	D9/502
D354,914 S *	1/1995	Newman .....	D9/503
D385,494 S *	10/1997	Balz .....	D9/500
D471,815 S *	3/2003	Gnann .....	D9/500

**1 Claim, 4 Drawing Sheets**



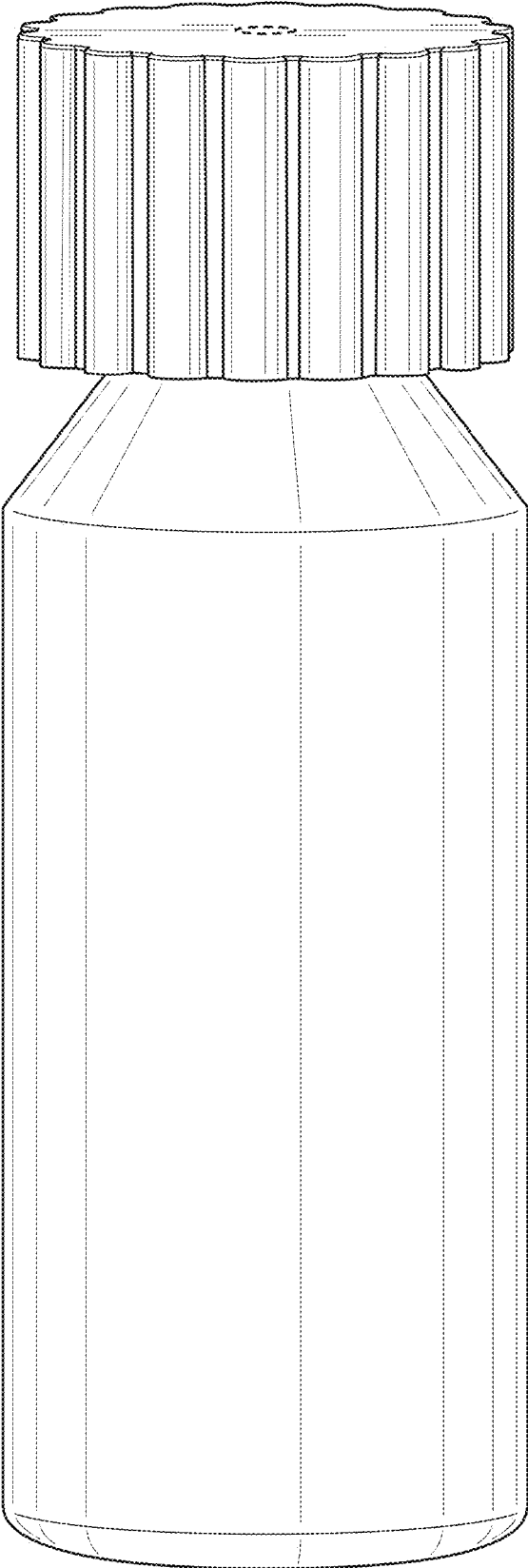


FIG. 1

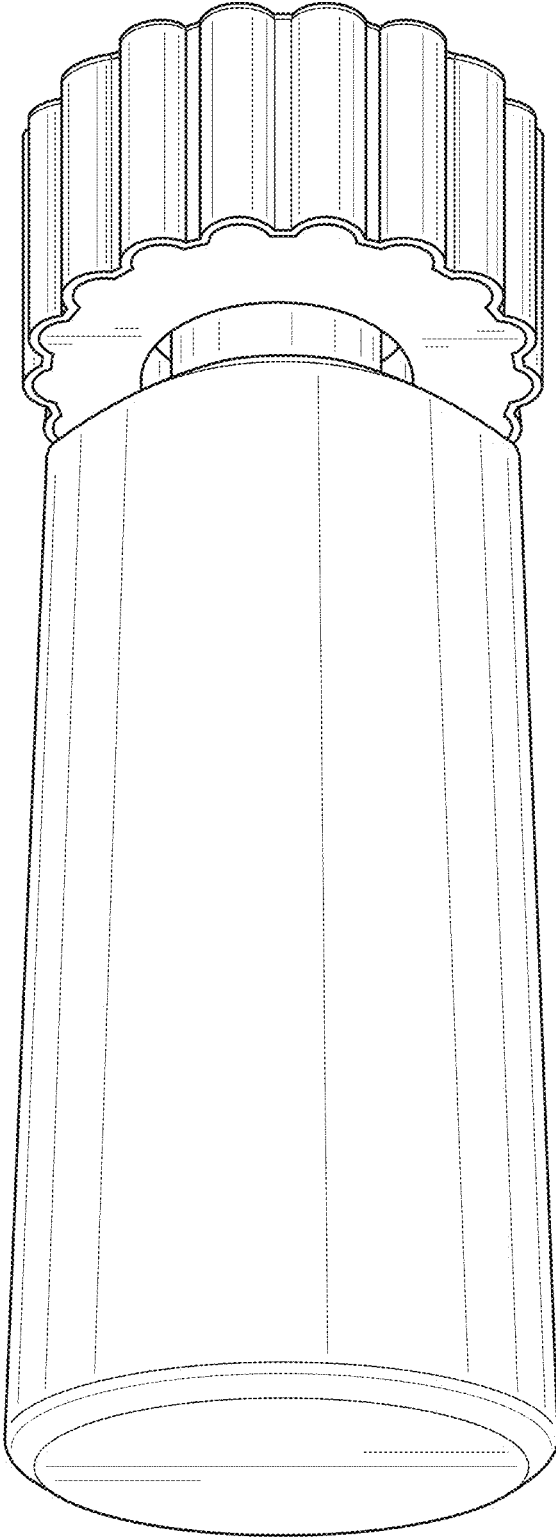


FIG. 2

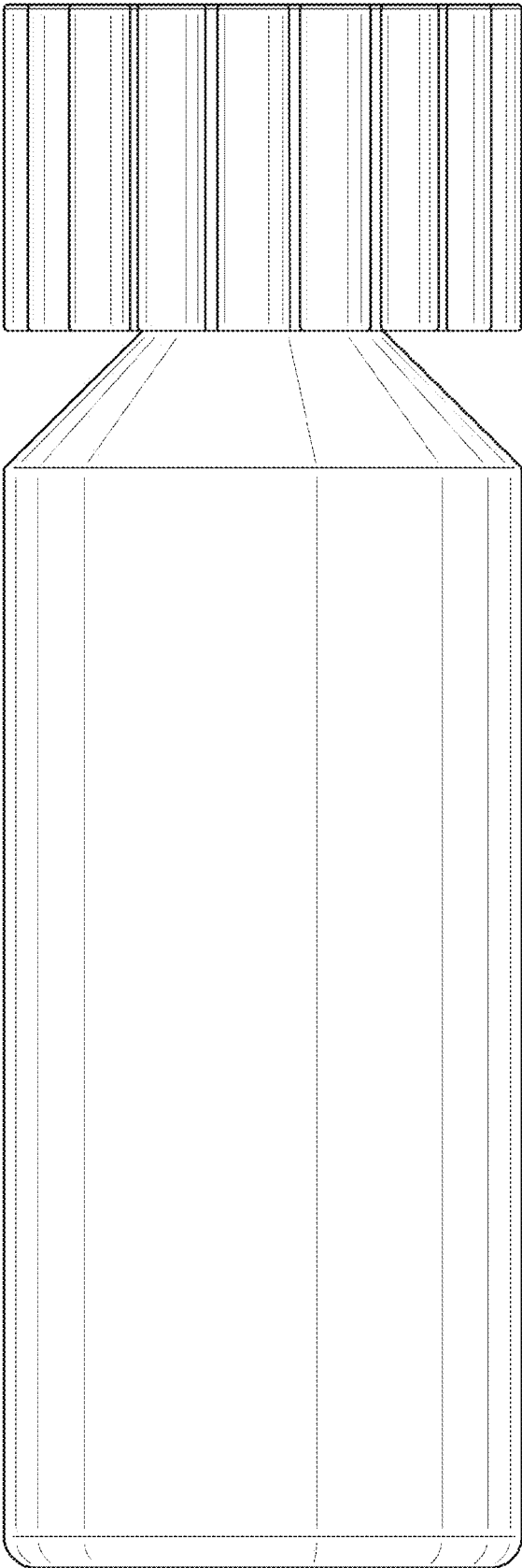


FIG. 3

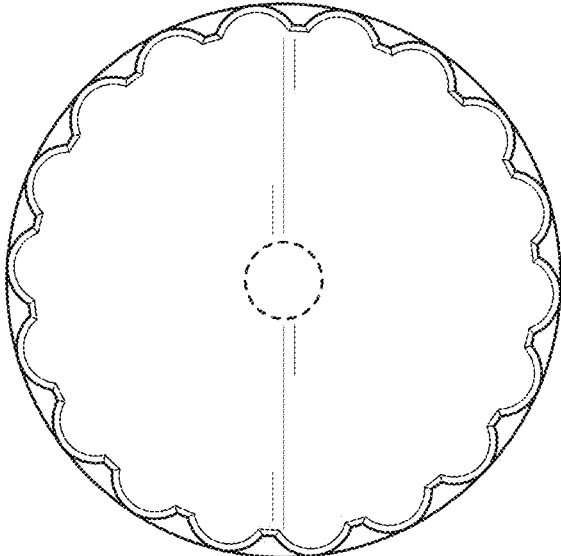


FIG. 4

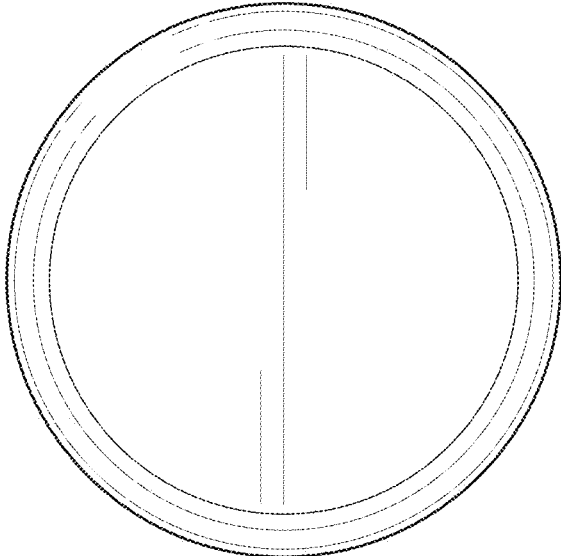


FIG. 5