



US00D606688S

(12) **United States Design Patent**
Ma

(10) **Patent No.:** **US D606,688 S**

(45) **Date of Patent:** **** Dec. 22, 2009**

(54) **LIGHTING DEVICE**

(75) Inventor: **Lai King Ma**, Fanling (HK)

(73) Assignee: **Eveready Battery Company, Inc.**, St. Louis, MO (US)

(**) Term: **14 Years**

(21) Appl. No.: **29/337,921**

(22) Filed: **Jun. 2, 2009**

(51) **LOC (9) Cl.** **26-02**

(52) **U.S. Cl.** **D26/46**

(58) **Field of Classification Search** D26/37,
D26/38, 44, 45, 46, 49; 362/157, 158, 159,
362/184, 194–208

See application file for complete search history.

(56) **References Cited**

U.S. PATENT DOCUMENTS

D296,477 S *	6/1988	Powell et al.	D26/46
D314,243 S *	1/1991	Ueda	D26/28
D376,859 S *	12/1996	Garrity, Sr.	D26/37
D404,156 S *	1/1999	Headley et al.	D26/38
D415,299 S *	10/1999	Burbrink	D26/38
D433,401 S *	11/2000	Chan	D14/168
D438,528 S *	3/2001	Chan	D14/168
D524,961 S *	7/2006	Garrity	D26/37
D527,130 S *	8/2006	Garrity et al.	D26/45

D543,649 S *	5/2007	Bhavnani	D26/37
D544,119 S *	6/2007	Ding et al.	D26/37
D549,863 S *	8/2007	Garrity	D26/45

* cited by examiner

Primary Examiner—Ian Simmons

Assistant Examiner—Carissa C Fitts

(74) *Attorney, Agent, or Firm*—Gregory J. Adams

(57) **CLAIM**

We claim the ornamental design for a lighting device, as shown and described.

DESCRIPTION

FIG. 1 is a front perspective view of a lighting device, showing our design;

FIG. 2 is a rear perspective view thereof;

FIG. 3 is a left side view thereof, the right side view is a mirror image of the left side view;

FIG. 4 is a top view thereof;

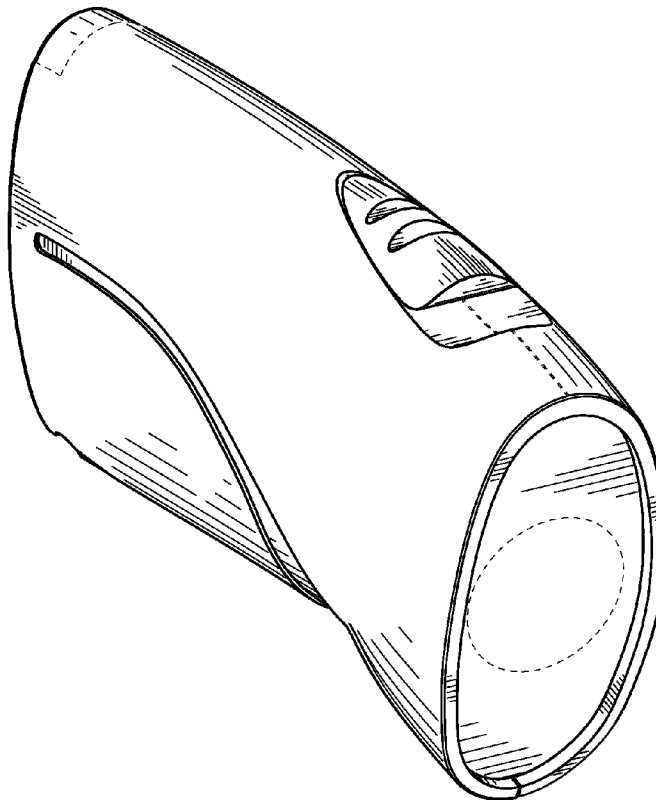
FIG. 5 is a bottom view thereof;

FIG. 6 is a front view thereof; and,

FIG. 7 is a rear view thereof.

The broken line showing is superimposed on the continuous surface of the claimed design is for illustrative purposes only, and forms no part of the claimed design.

1 Claim, 3 Drawing Sheets



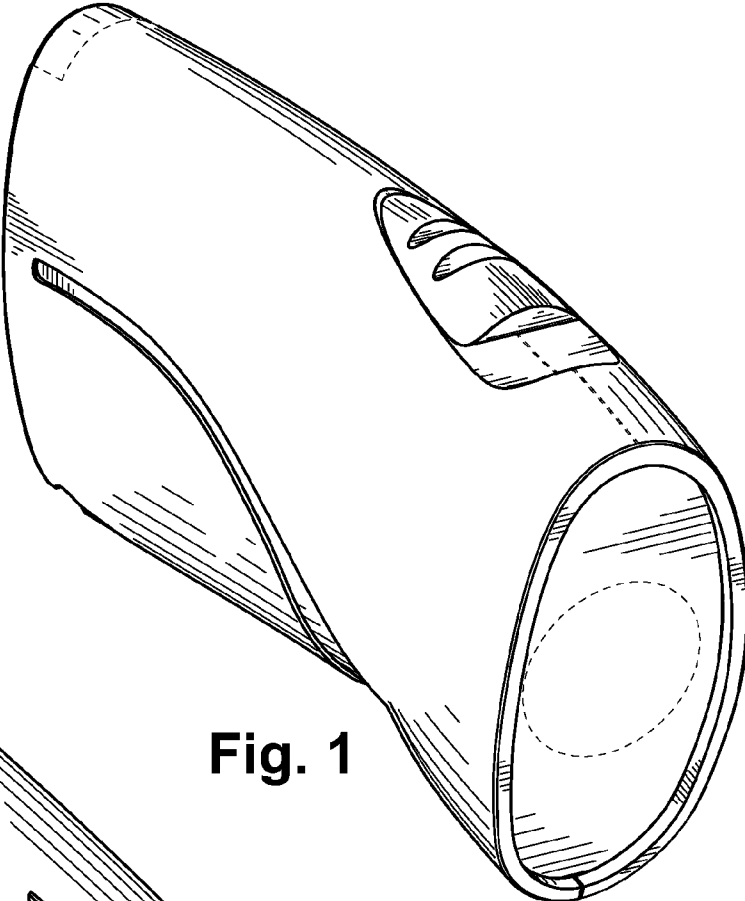


Fig. 1

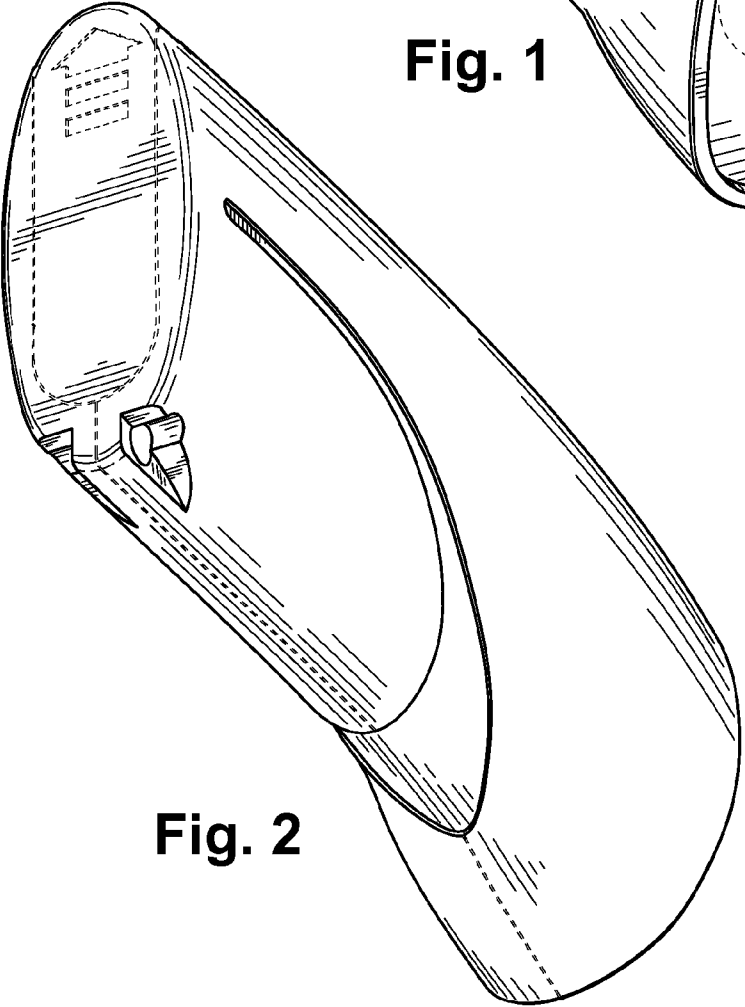


Fig. 2

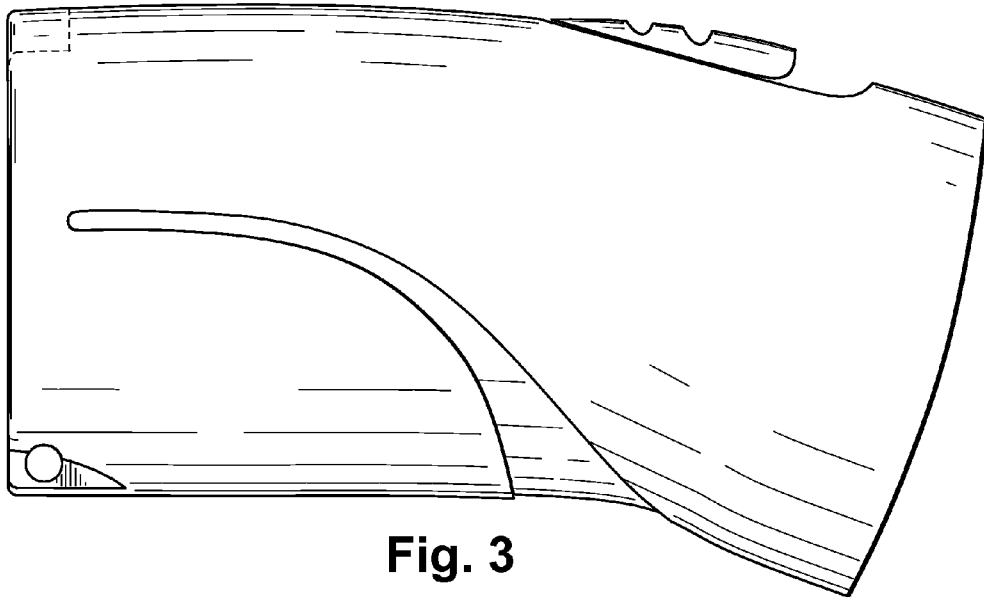


Fig. 3

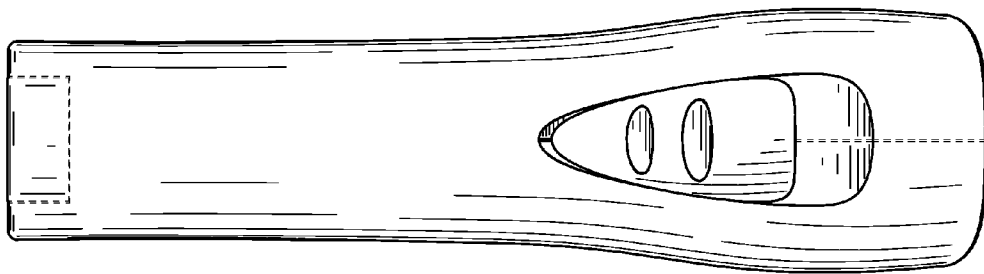


Fig. 4

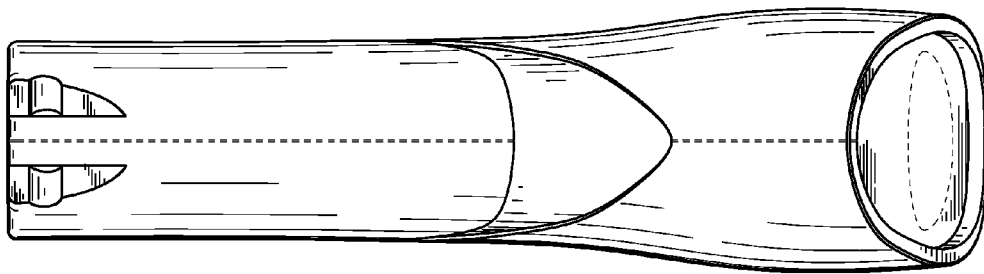


Fig. 5

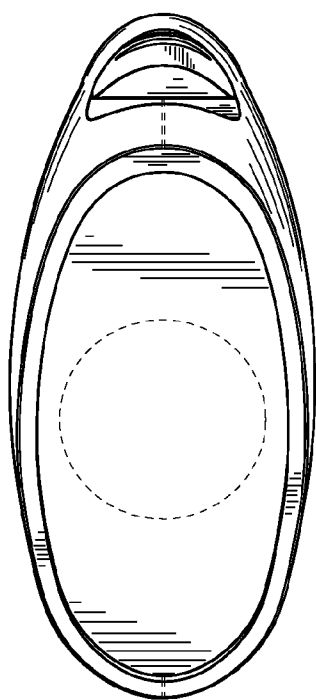


Fig. 6

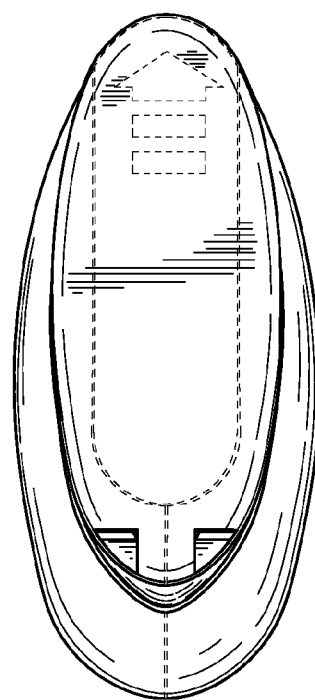


Fig. 7