



US00D511439S

(12) **United States Design Patent**  
**Roybal**

(10) **Patent No.:** **US D511,439 S**

(45) **Date of Patent:** **\*\* Nov. 15, 2005**

(54) **CAN OR BOTTLE HOLDER FOR BOATS**

6,648,290 B1 \* 11/2003 Aleman ..... 248/311.2

(76) **Inventor:** **Tom J. Roybal**, 1966 Freeman Ave.,  
#A, Signal Hill, CA (US) 90755

\* cited by examiner

*Primary Examiner*—Terry A. Wallace

(\*\*) **Term:** **14 Years**

(57) **CLAIM**

(21) **Appl. No.:** **29/207,166**

The ornamental design for can or bottle holder for boats, as shown and described.

(22) **Filed:** **Jun. 10, 2004**

**DESCRIPTION**

(51) **LOC (8) Cl.** ..... **07-06**

(52) **U.S. Cl.** ..... **D7/620; D12/420**

(58) **Field of Search** ..... D7/619.1–625,  
D7/603–608; D12/415–420; 220/737, 739,  
902, 903, 592.2, 592.16, 592.17, 592.24;  
224/411, 539, 558, 560, 42.11, 926; 248/311.2,  
311.3, 312.1

A plastic or stainless steel hollow cylinder shaped can or bottle holder, which is open at the top and has a closed bottom with holes for easy draining. The upper edge of the hollow cylinder has an upright arm with a hooked upper end. This hook may be fastened over a safety rail, such that the beverage holder automatically pivots with the rocking motion of a boat in water. Consequently, spillage can be avoided and the drink can be stabilized, if the can or bottle is placed in the can or bottle holder.

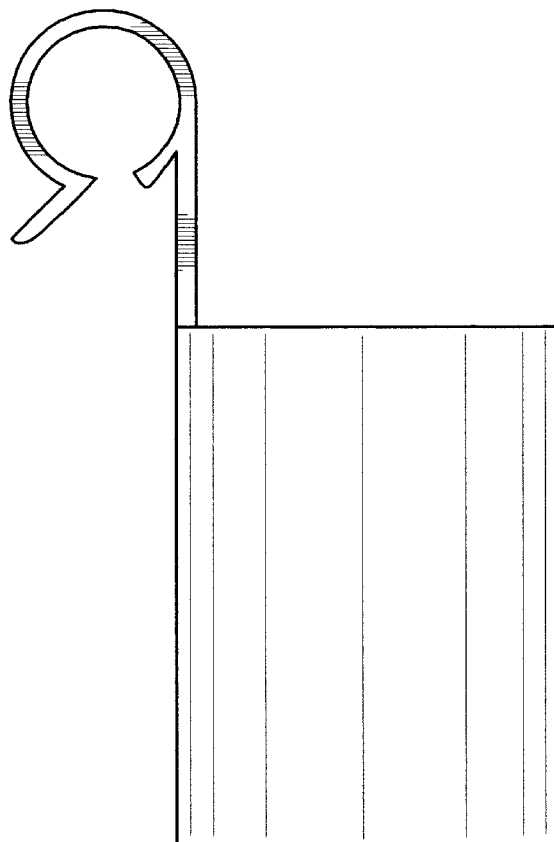
(56) **References Cited**

**U.S. PATENT DOCUMENTS**

2,655,338	A	*	10/1953	Stoger	.....	248/311.2
D260,471	S	*	9/1981	Douglas	.....	D7/622
4,560,128	A	*	12/1985	Willeby et al.	.....	248/230.4
4,844,400	A	*	7/1989	Jasmagy, Jr.	.....	248/311.2
4,858,869	A	*	8/1989	Stang	.....	248/311.2
5,857,601	A	*	1/1999	Greenwood	.....	224/926
6,644,524	B1	*	11/2003	Garvin	.....	224/411

FIG. 1 is a side view of my design;  
FIG. 2 is a frontal perspective view;  
FIG. 3 is a back perspective view;  
FIG. 4 is a top perspective view showing the drain holes in the bottom and the mounting clip; and,  
FIG. 5 is a bottom perspective view.

**1 Claim, 3 Drawing Sheets**



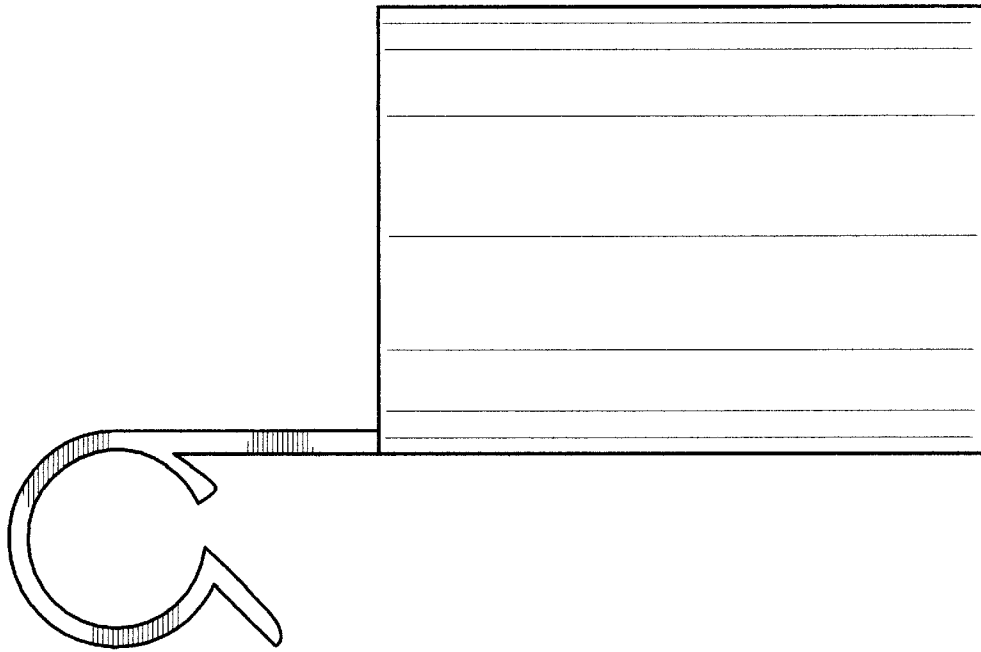


FIG. 1

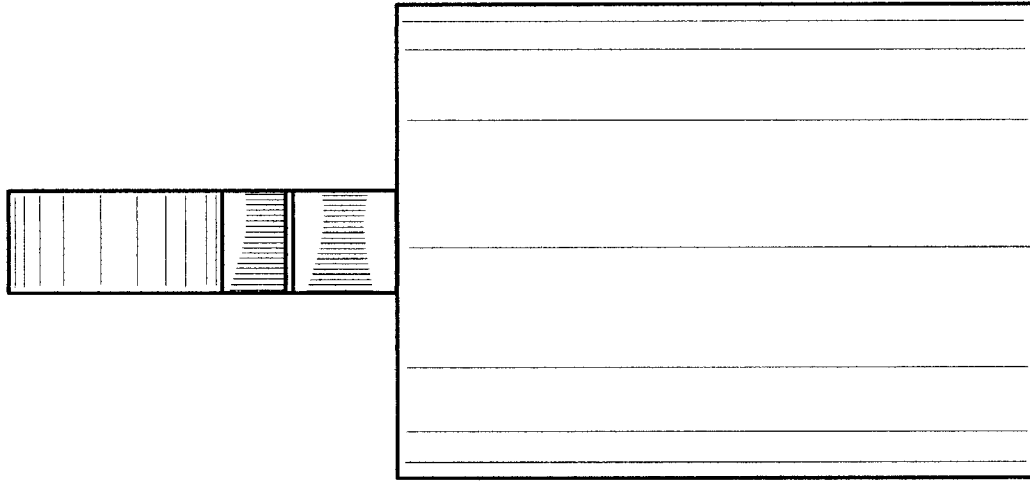


FIG. 3

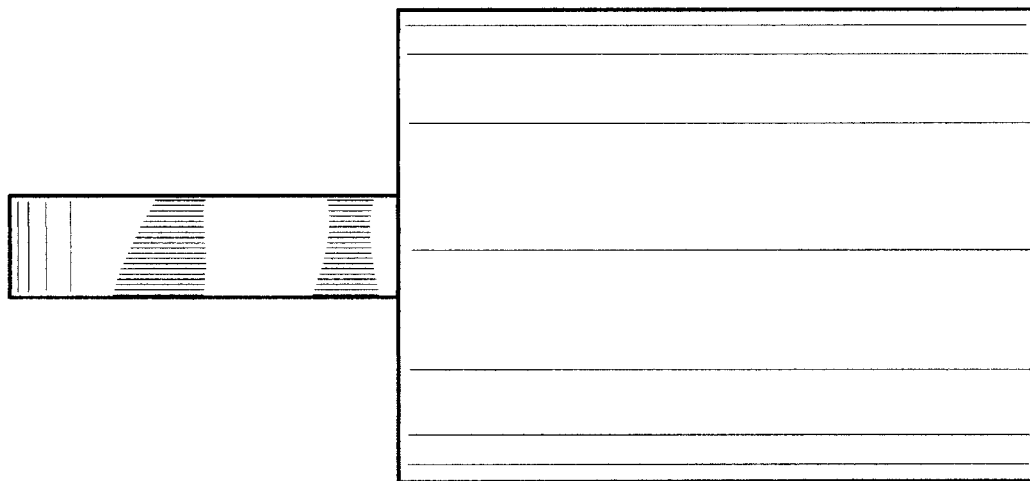


FIG. 2

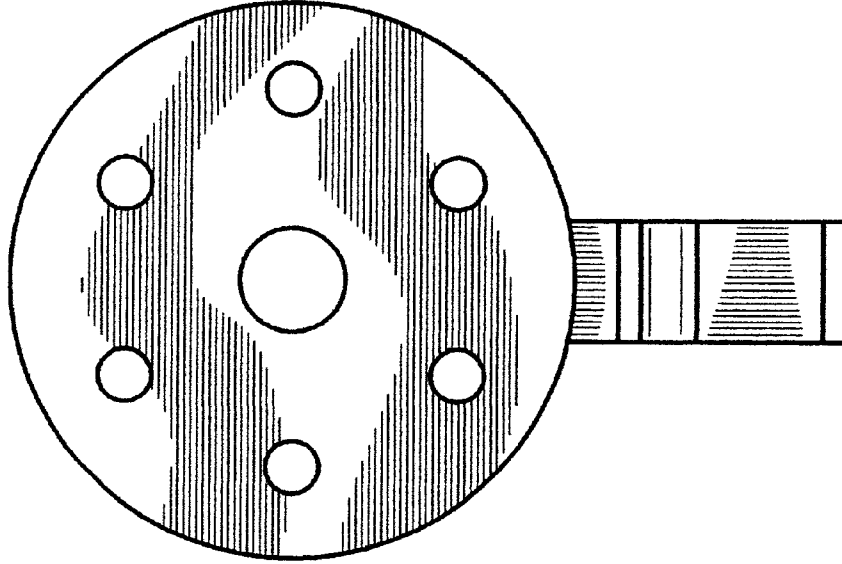


FIG. 5

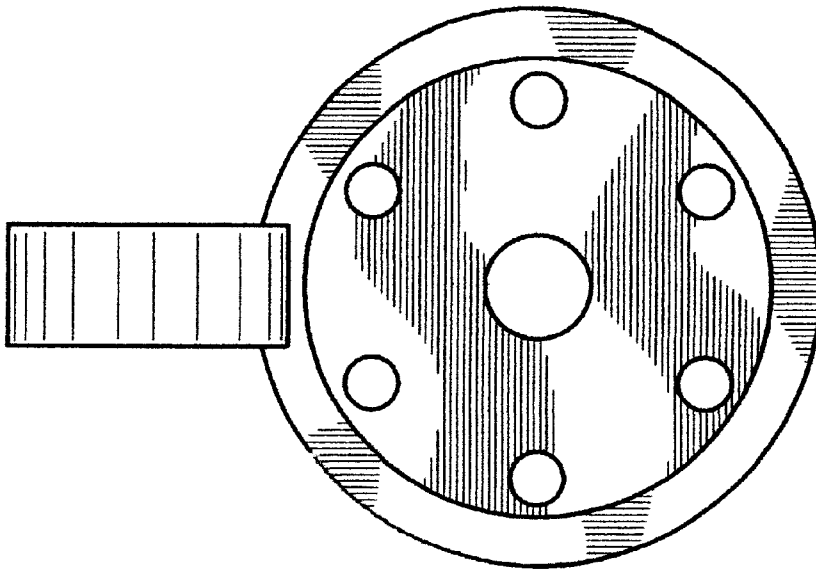


FIG. 4