



US0D1010144S

(12) **United States Design Patent**
You

(10) **Patent No.:** **US D1,010,144 S**

(45) **Date of Patent:** **** Jan. 2, 2024**

(54) **MESSAGE APPLIANCE**

(57) **CLAIM**

(71) Applicant: **Guangdong FR Intelligent Technology Co., Ltd.**, Guangdong (CN)

The ornamental design for a massage appliance, as shown and described.

(72) Inventor: **Ruihuang You**, Guangdong (CN)

(**) Term: **15 Years**

(21) Appl. No.: **29/823,445**

(22) Filed: **Jan. 17, 2022**

(51) **LOC (14) Cl.** **28-03**

(52) **U.S. Cl.**
USPC **D24/200**

(58) **Field of Classification Search**
USPC D24/200, 201, 207, 215; D23/260;
D13/108; D3/294; D9/453, 454;
D32/25, 32

(Continued)

(56) **References Cited**

U.S. PATENT DOCUMENTS

D54,553 S * 3/1920 Lobl D24/207
D267,505 S * 1/1983 Ryan D23/262

(Continued)

FOREIGN PATENT DOCUMENTS

CN 306990684 * 12/2021
KR 301138696.0000 * 11/2021

OTHER PUBLICATIONS

Nibco 2 in. PVC, home depot, date reviewed Feb. 25, 2017, date retrieved Aug. 19, 2022—U.S. Appl. No. 29/823,445—<https://thd.co/3Az1HNI> (Year: 2017).*

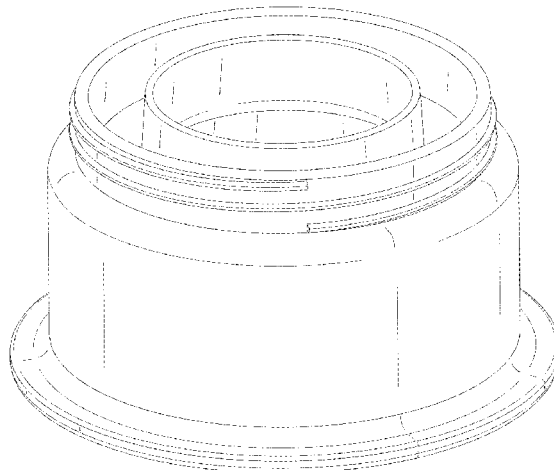
(Continued)

Primary Examiner — Nicole C Shiflet
Assistant Examiner — Danielle Nichole Bowly
(74) *Attorney, Agent, or Firm* — Che-Yang Chen; Law Office of Michael Chen

DESCRIPTION

FIG. 1 is a perspective view of the first massage appliance showing my new design;
FIG. 2 is a perspective view thereof from another angle;
FIG. 3 is a front elevational view thereof;
FIG. 4 is a rear elevational view thereof;
FIG. 5 is a left side elevational view thereof;
FIG. 6 is a right side elevational view thereof;
FIG. 7 is a top plan view thereof;
FIG. 8 is a bottom plan view thereof;
FIG. 9 is a perspective view of the massage appliance where the massage appliance is in a configuration of use;
FIG. 10 is a perspective view of the second embodiment of the massage appliance showing the new design;
FIG. 11 is a perspective view thereof from another angle;
FIG. 12 is a front elevational view thereof;
FIG. 13 is a rear elevational view thereof;
FIG. 14 is a left side elevational view thereof;
FIG. 15 is a right side elevational view thereof;
FIG. 16 is a top plan view thereof;
FIG. 17 is a bottom plan view thereof;
FIG. 18 is a perspective view of the massage appliance where the massage appliance is in a configuration of use;
FIG. 19 is a perspective view of the third embodiment of the massage appliance showing my new design;
FIG. 20 is a perspective view thereof from another angle;
FIG. 21 is a front elevational view thereof;
FIG. 22 is a rear elevational view thereof;
FIG. 23 is a left side elevational view thereof;
FIG. 24 is a right side elevational view thereof;
FIG. 25 is a top plan view thereof;
FIG. 26 is a bottom plan view thereof; and,
FIG. 27 is a perspective view of the massage appliance where the massage appliance is in a configuration of use. The broken lines shown in the drawings illustrate environment and form no part of the claimed design.

1 Claim, 27 Drawing Sheets



(58) **Field of Classification Search**
 CPC .. A61F 7/02; A63B 21/0004; A63B 23/03516
 See application file for complete search history.

(56) **References Cited**

U.S. PATENT DOCUMENTS

D347,467	S	*	5/1994	Medvick	D23/262
D360,019	S	*	7/1995	Sonden	D23/262
D367,316	S	*	2/1996	Sonden	D23/262
D383,053	S	*	9/1997	Schrader	D23/262
D383,195	S	*	9/1997	Sonden	D23/262
D427,667	S	*	7/2000	Stout, Jr.	D23/262
D435,090	S	*	12/2000	Stout, Jr.	D23/269
D439,637	S	*	3/2001	Davies	D23/262
D446,298	S	*	8/2001	Thurman	D23/262
D517,665	S	*	3/2006	Wilk, Jr.	D23/262
D561,304	S	*	2/2008	Vansell	D23/262
D571,440	S	*	6/2008	Kanao	D23/262
D589,126	S	*	3/2009	Concannon	D23/262
D616,966	S	*	6/2010	Angell	D23/262

D636,089	S		4/2011	Yoo		
D637,697	S	*	5/2011	Steiner	D23/262
D699,822	S	*	2/2014	Beaudoin	D23/262
D715,145	S	*	10/2014	Yamagishi	D23/262
D717,405	S	*	11/2014	Coronado	D23/259
D728,774	S	*	5/2015	Graham	D23/393
D749,702	S	*	2/2016	Rohn	D23/259
D762,825	S	*	8/2016	Walker	D23/259
D762,871	S	*	8/2016	Gomez	D24/215
D773,621	S	*	12/2016	Gill	D23/259
D841,782	S	*	2/2019	Wada	D23/260
D888,972	S		6/2020	Chernyavskiy et al.		
D961,107	S	*	8/2022	Tian	D24/215

OTHER PUBLICATIONS

NDS WU-1500-T PVC Pipe, Amazon.com, date published Sep. 10, 2006, date retrieved Aug. 19, 2022—U.S. Appl. No. 29/823,445—
<https://www.amazon.com/WU-1500-T-2-Inch-Threaded-Schedule-Union/dp/B000H5O14W> (Year: 2006).*

* cited by examiner

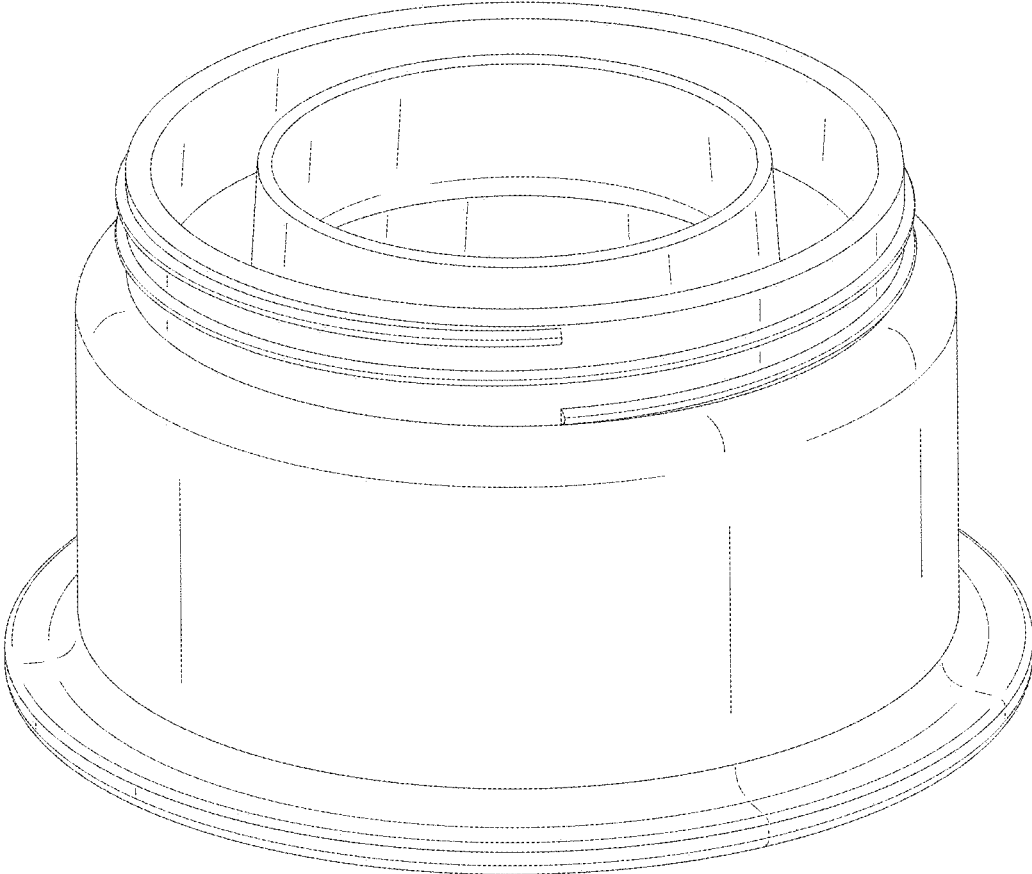


FIG. 1

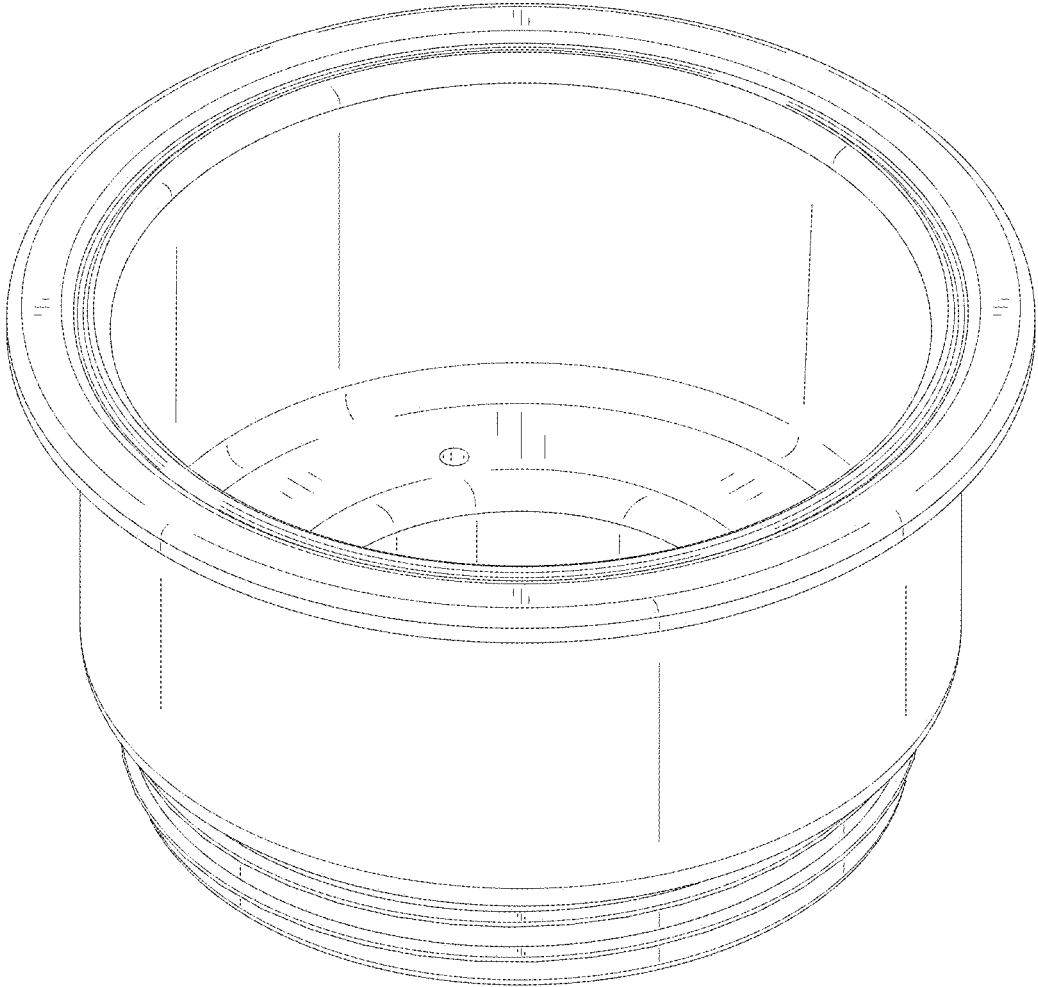


FIG. 2

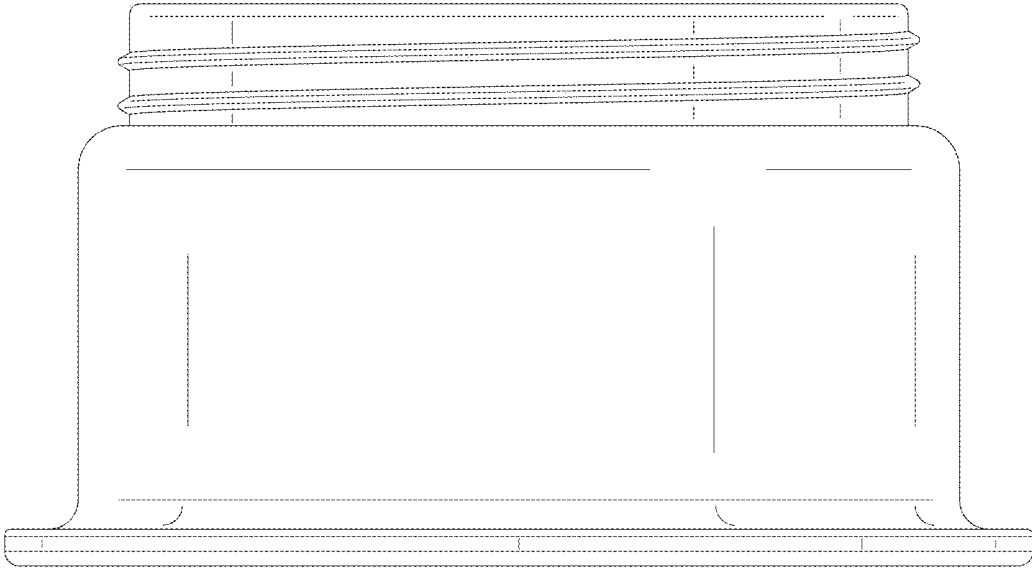


FIG. 3

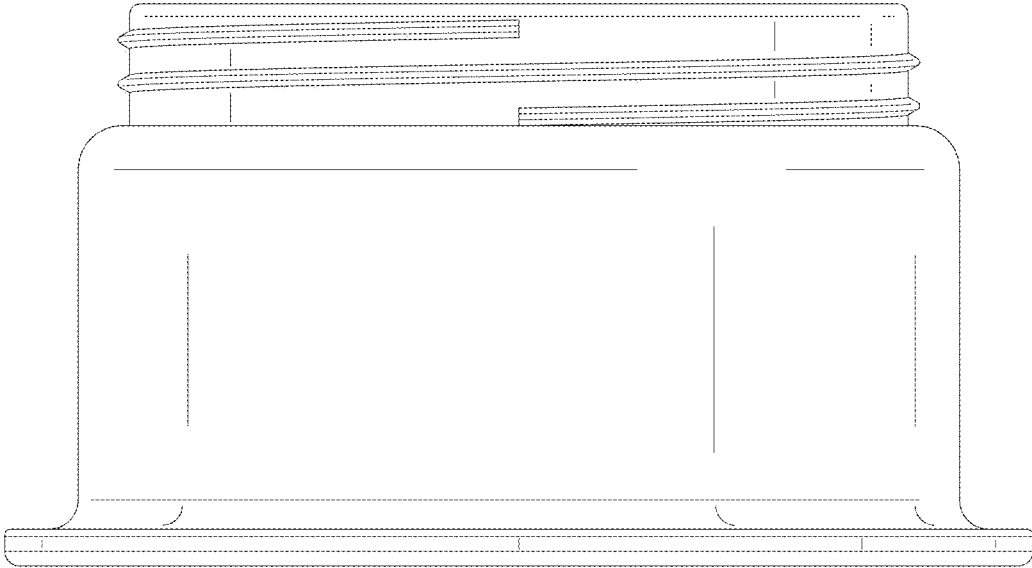


FIG. 4

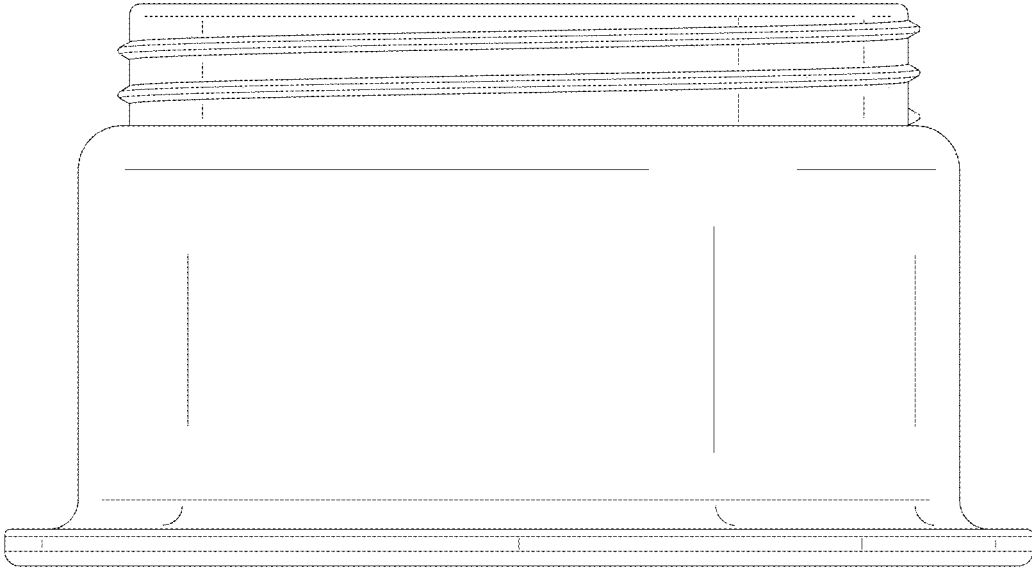


FIG. 5

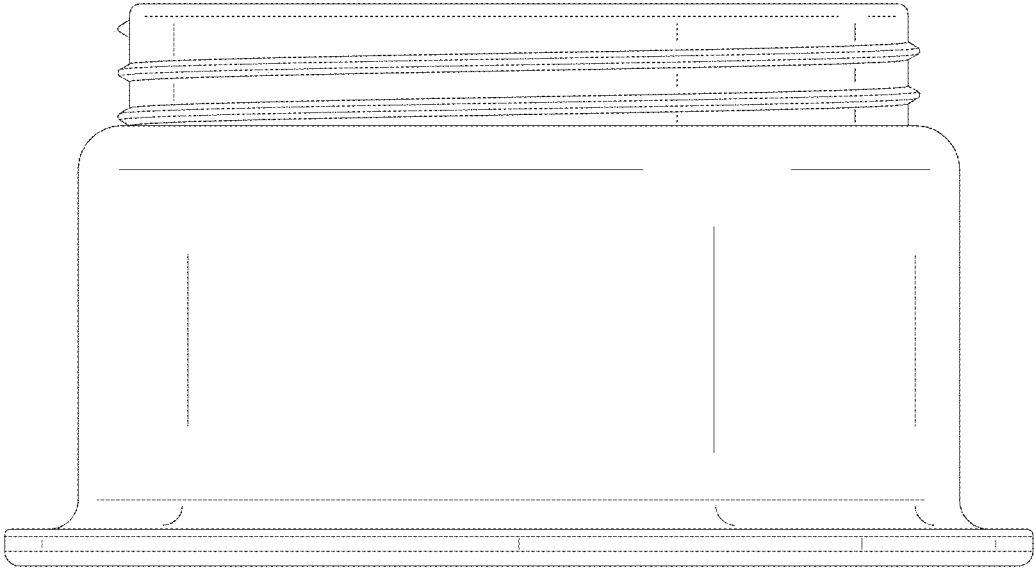


FIG. 6

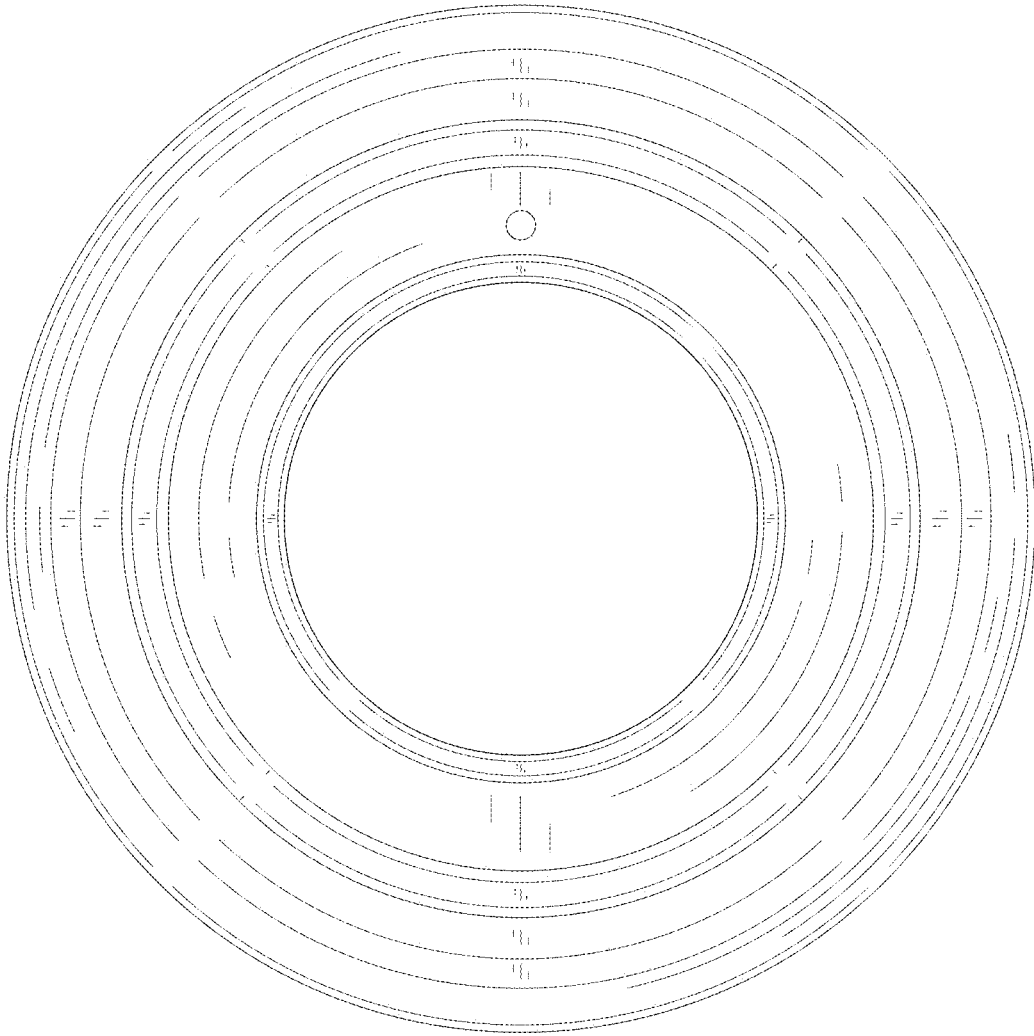


FIG. 7

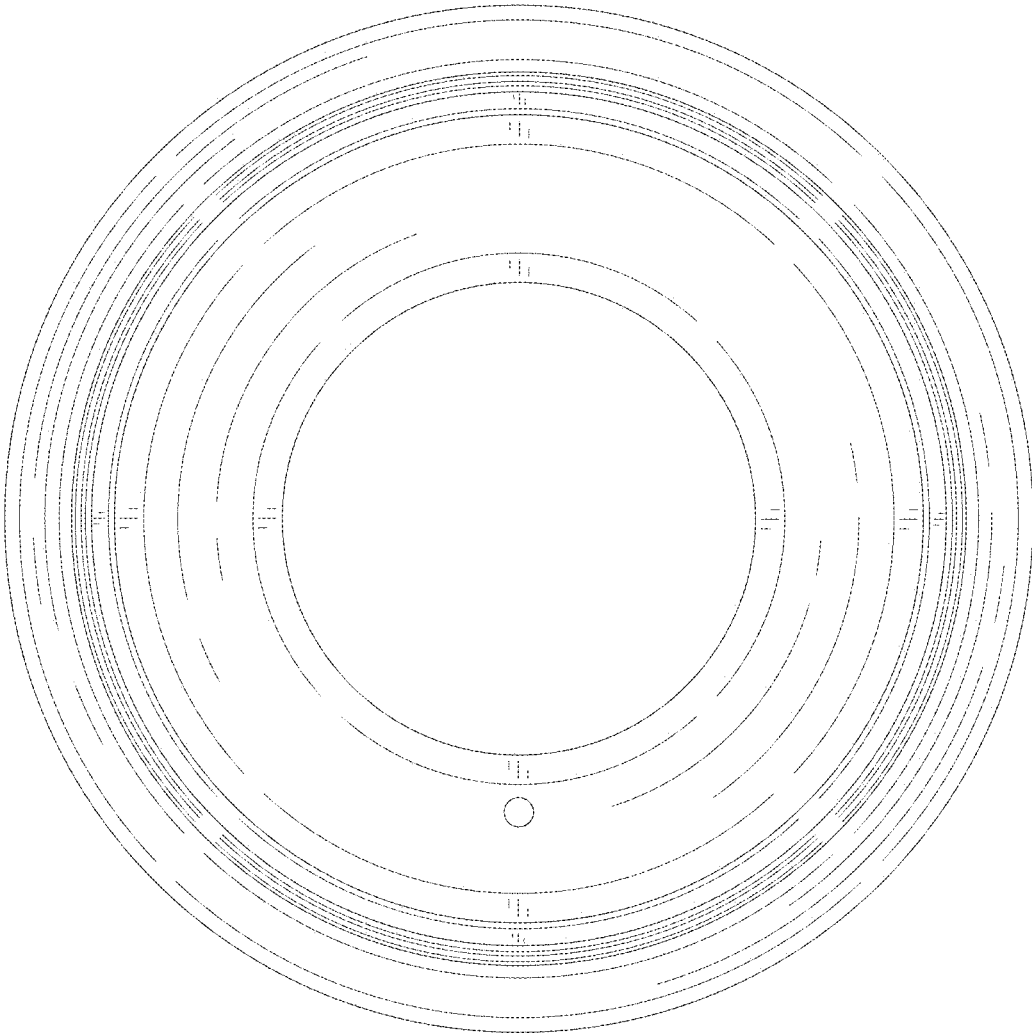


FIG. 8

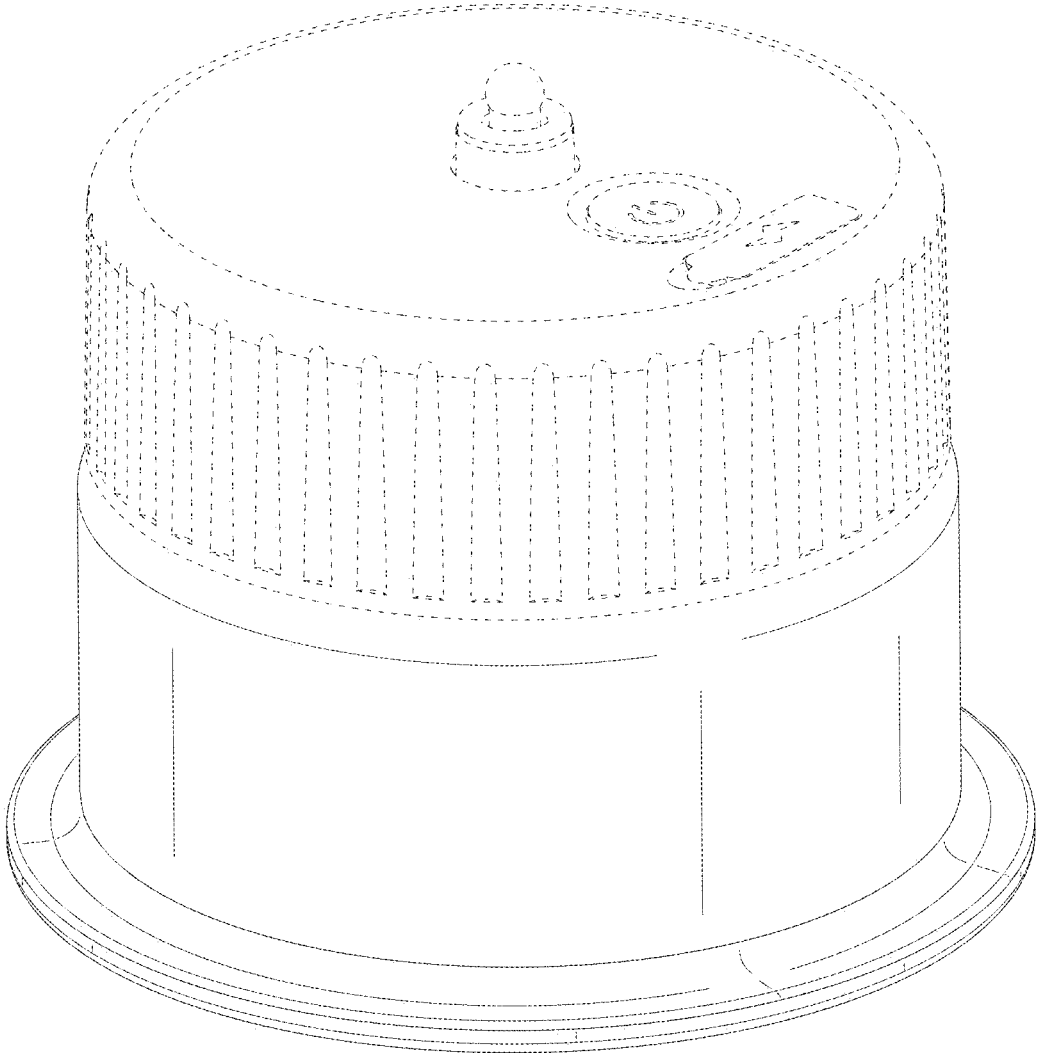


FIG. 9

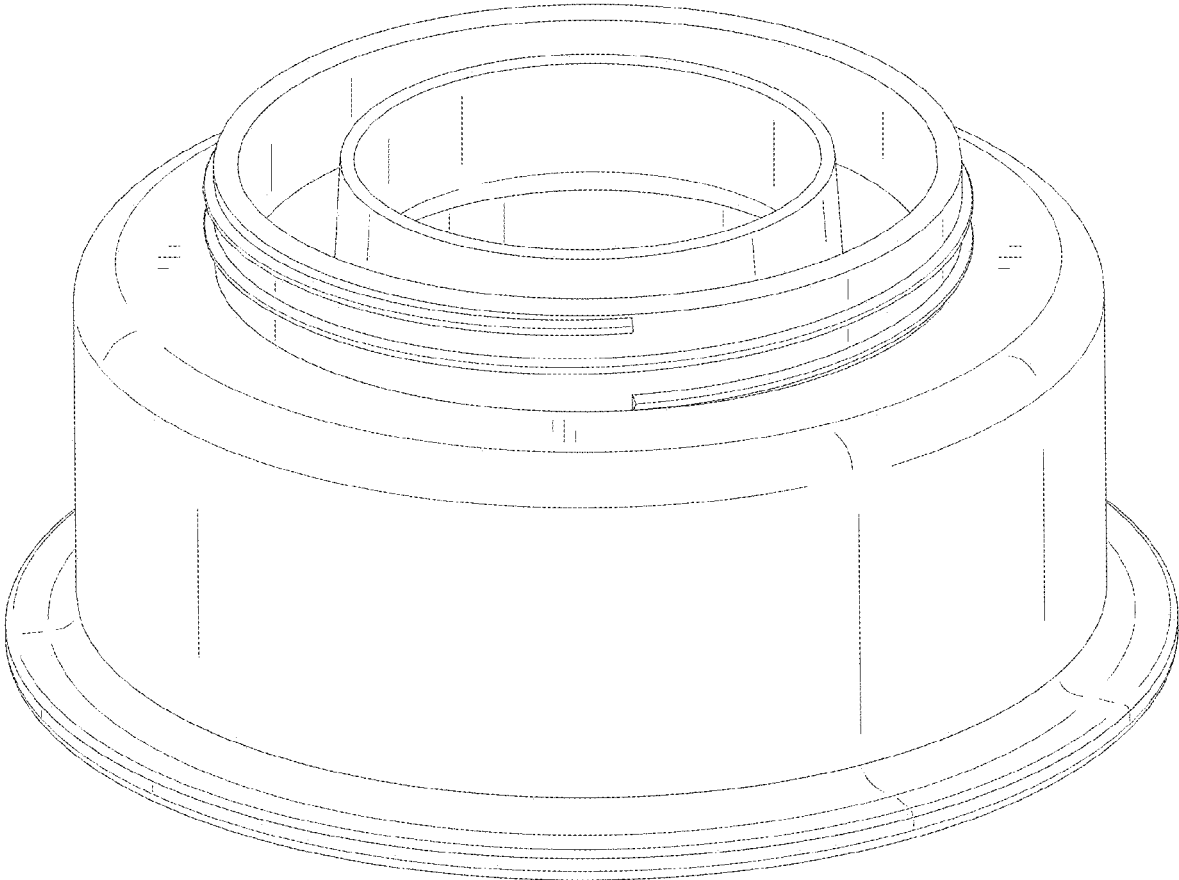


FIG. 10

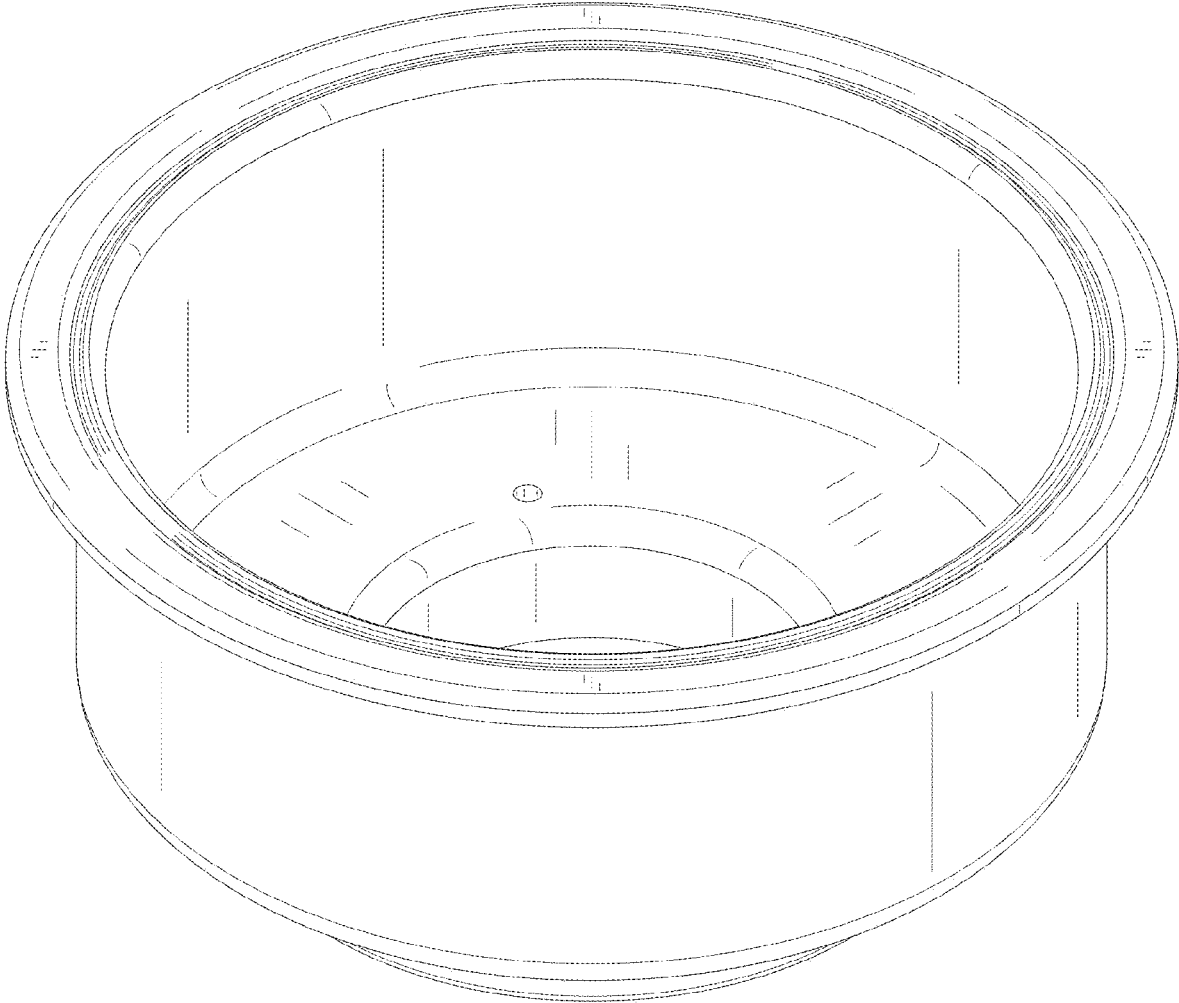


FIG. 11

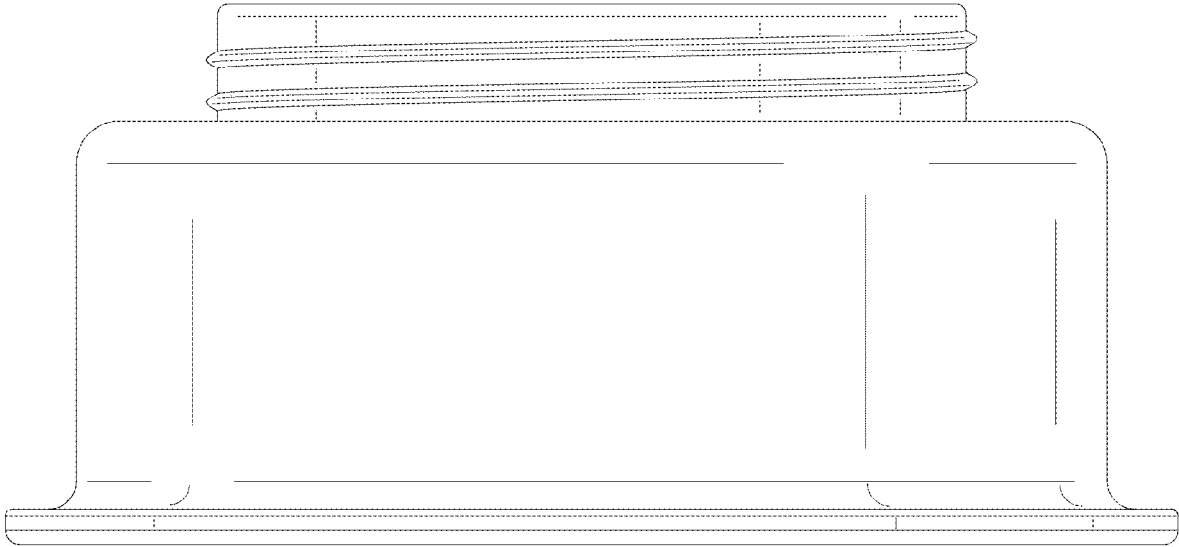


FIG. 12

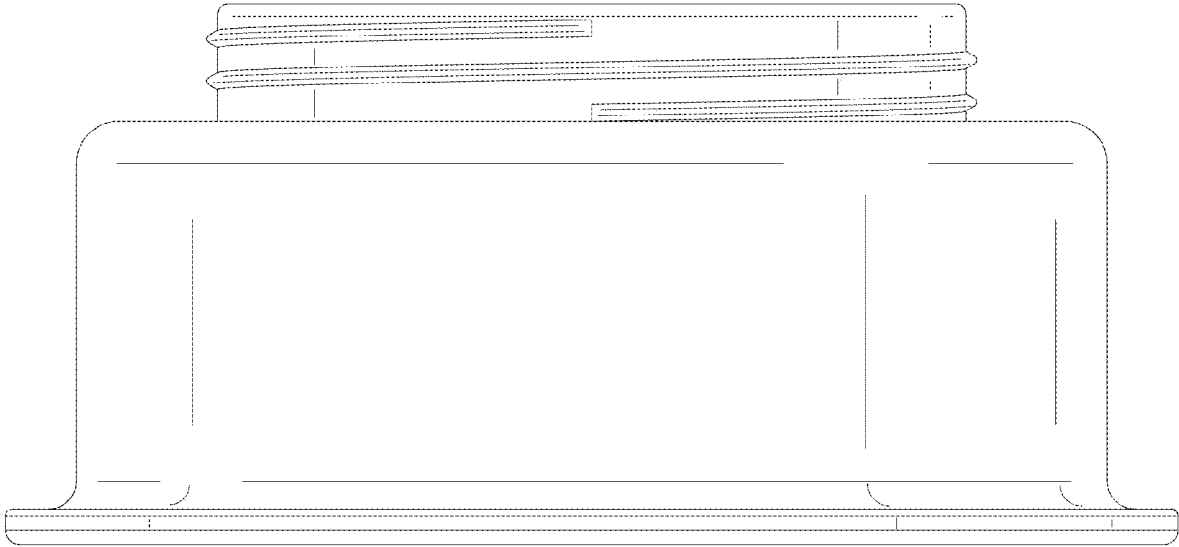


FIG. 13

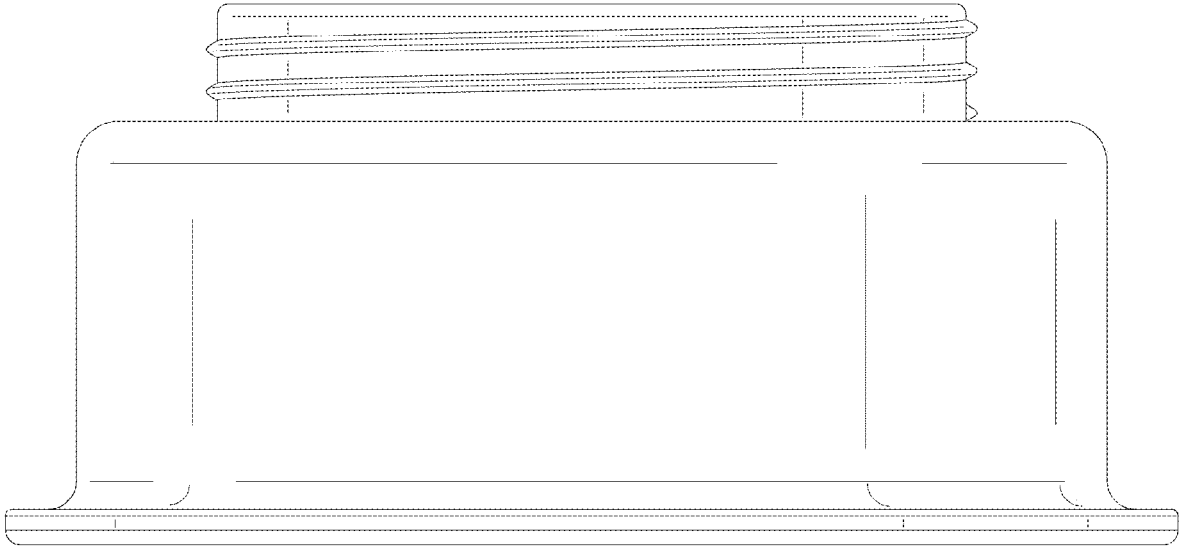


FIG. 14

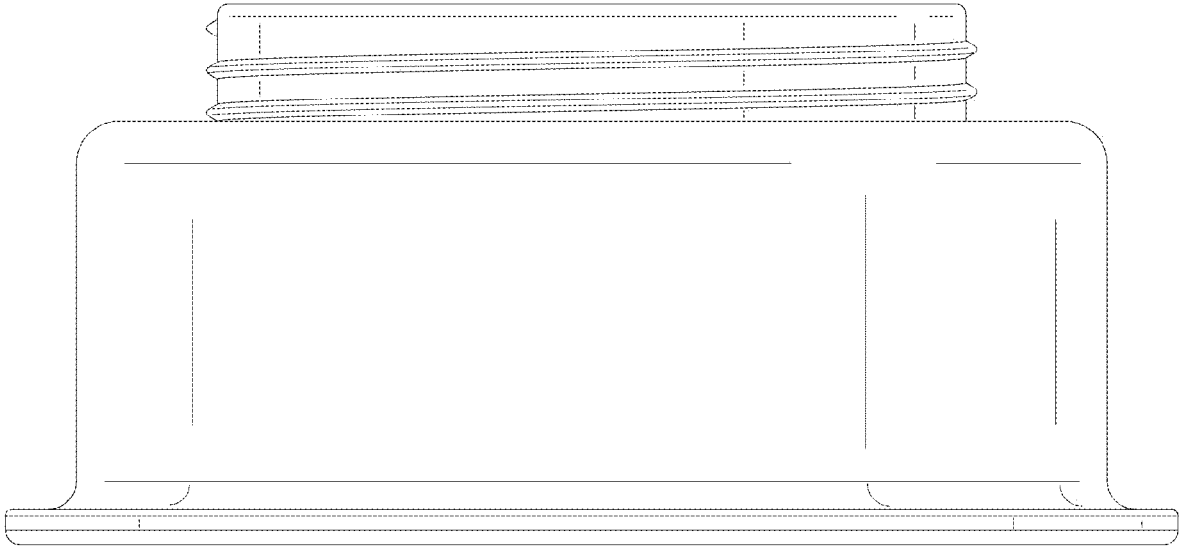


FIG. 15

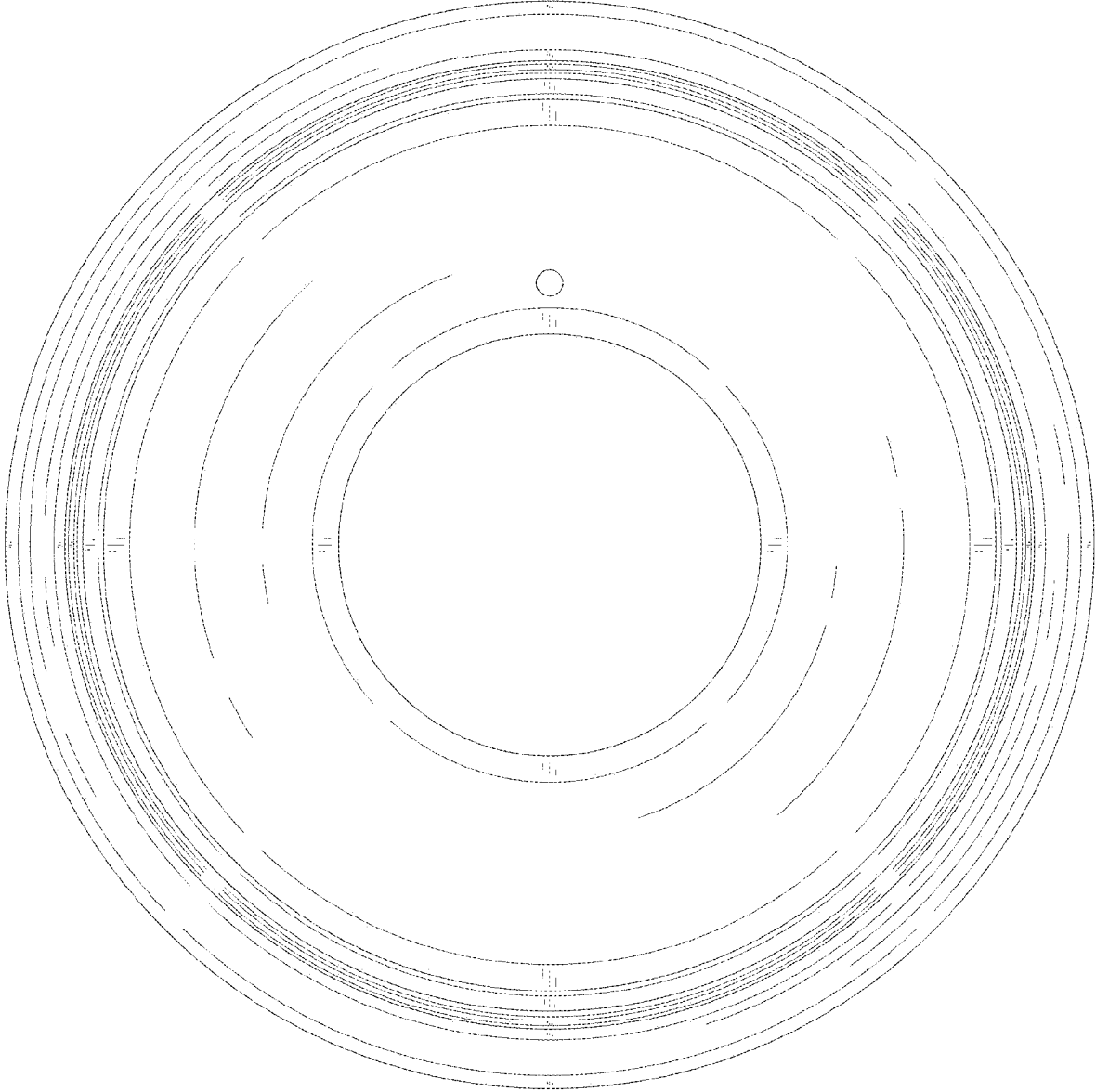


FIG. 16

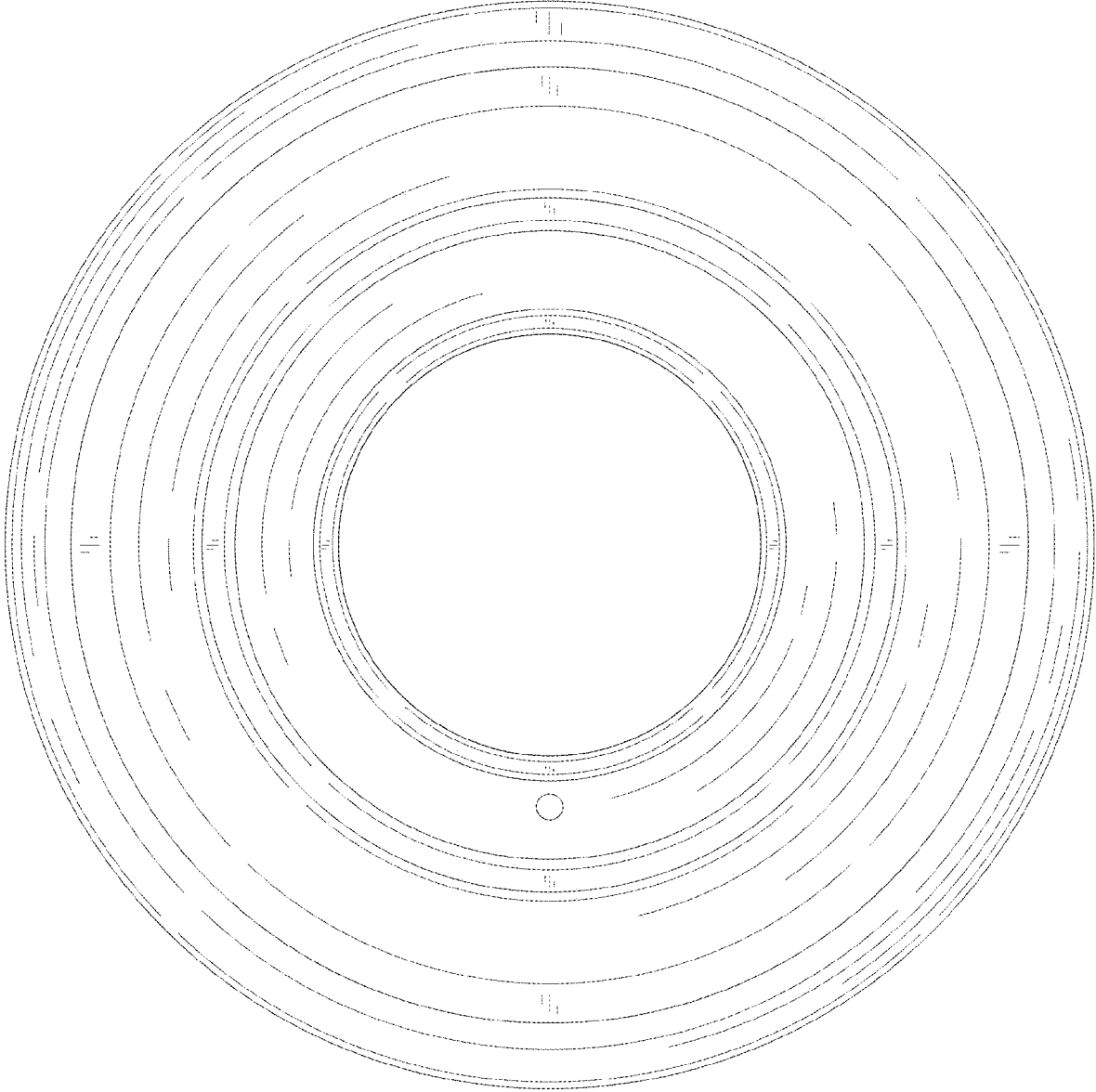


FIG. 17

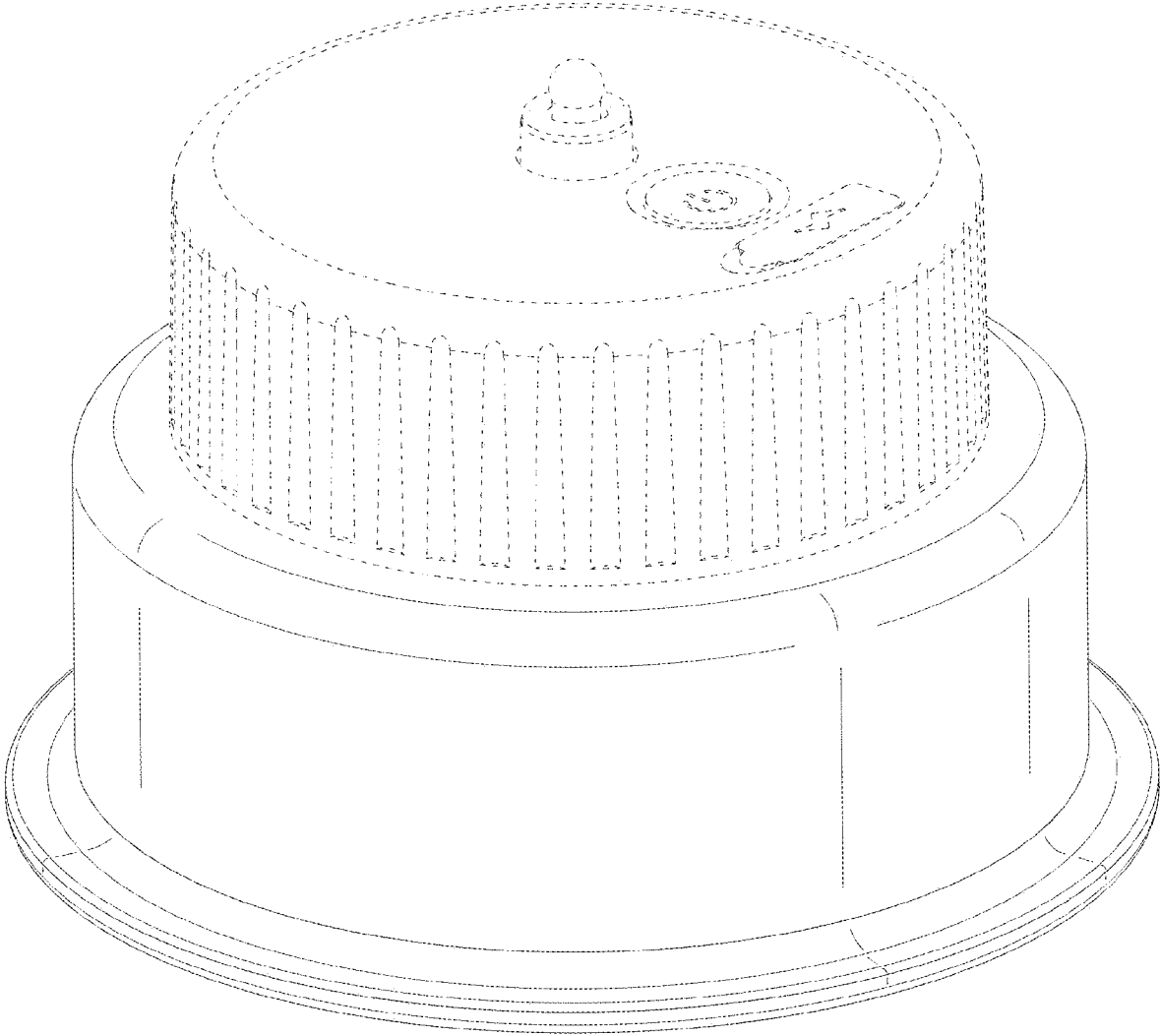


FIG. 18

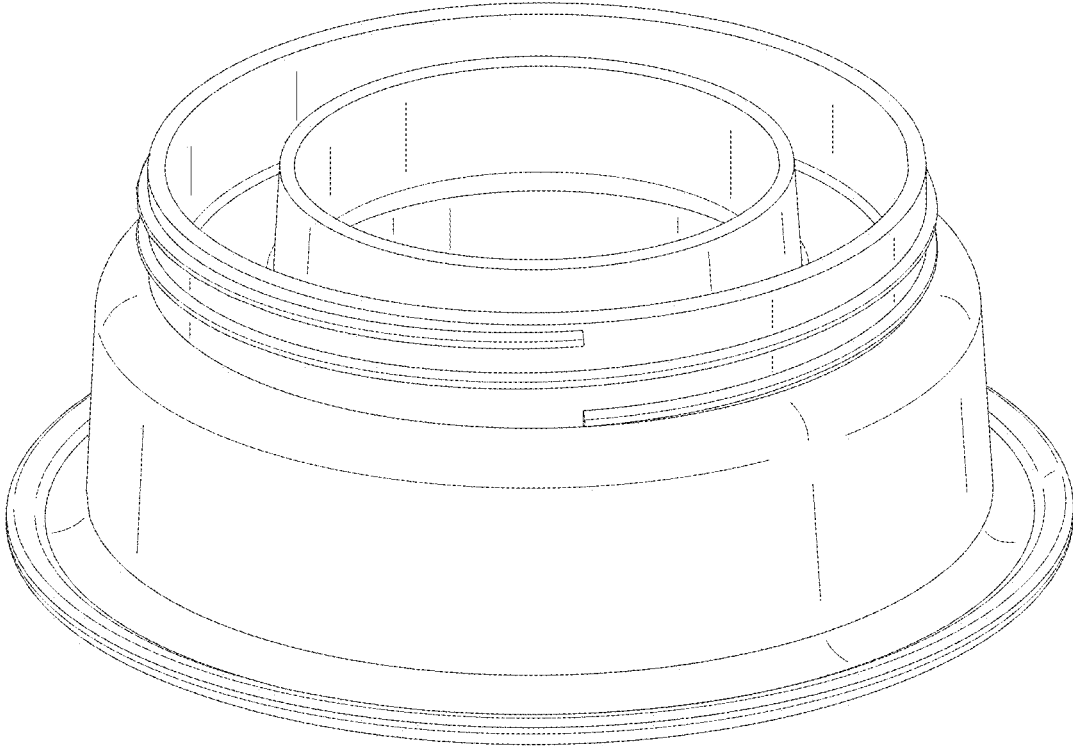


FIG. 19

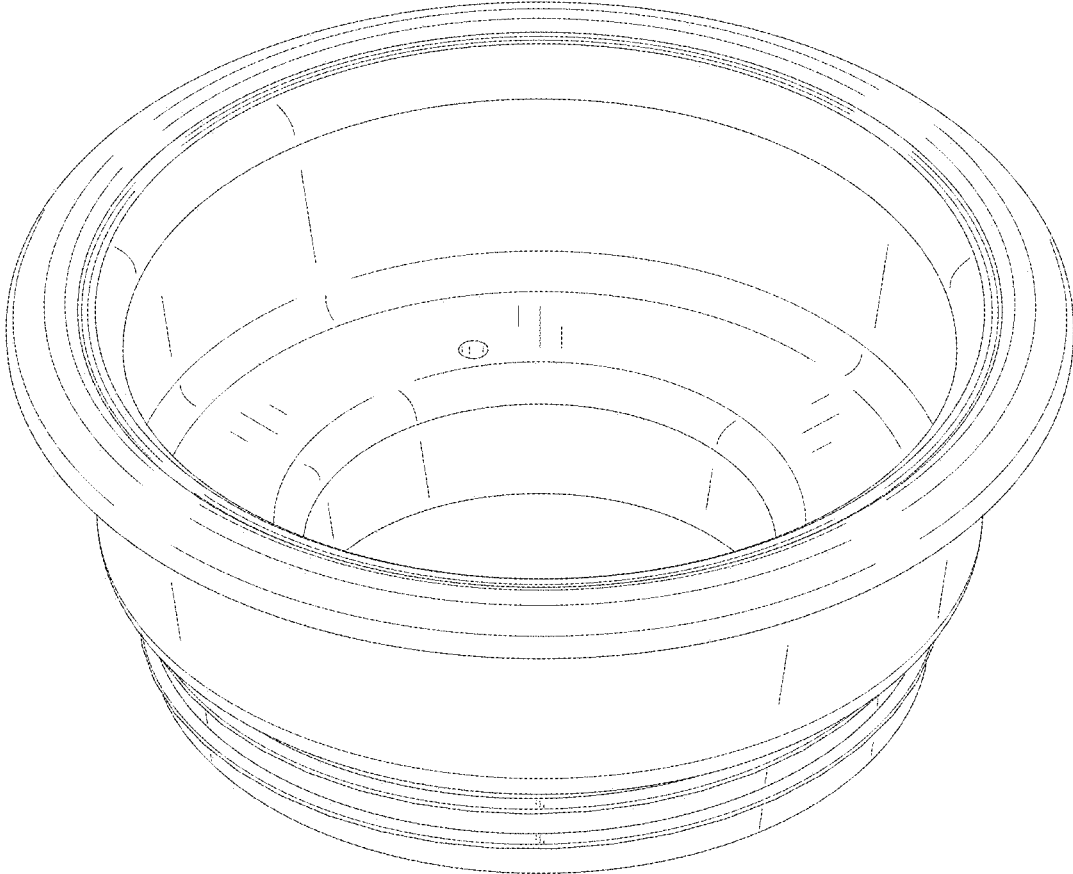


FIG. 20

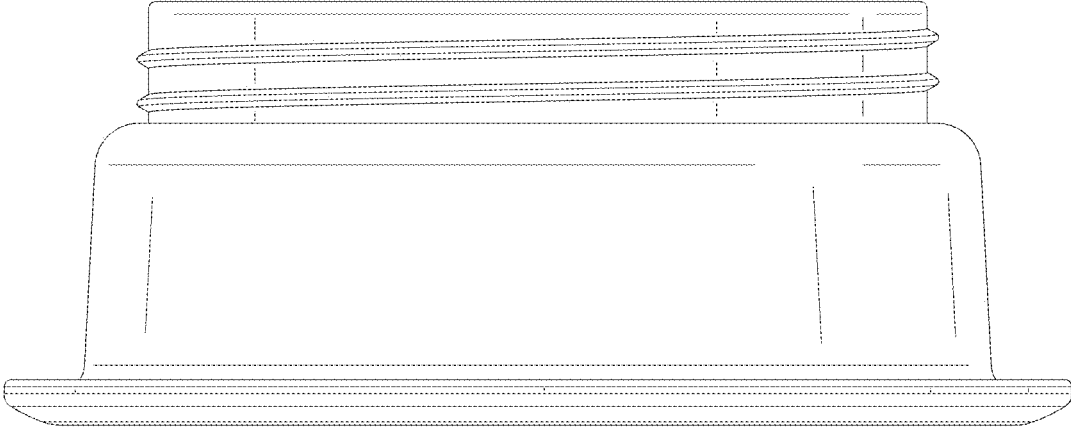


FIG. 21

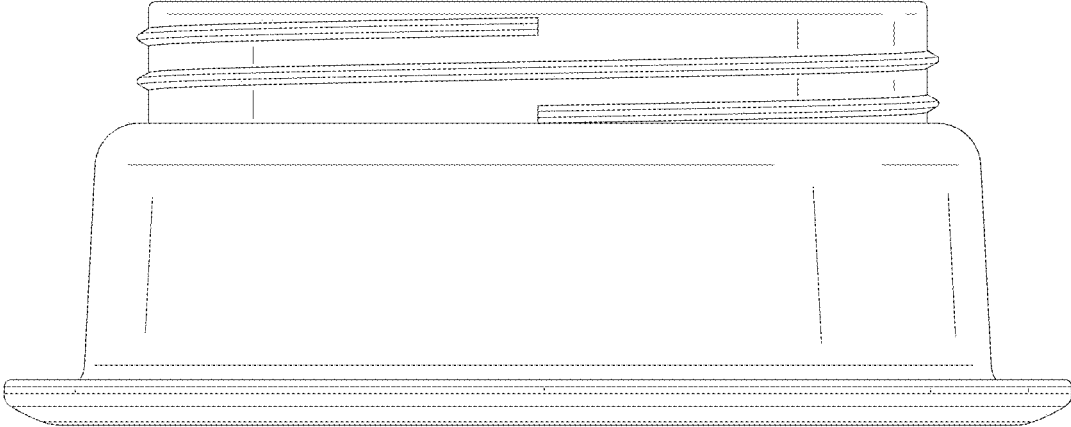


FIG. 22

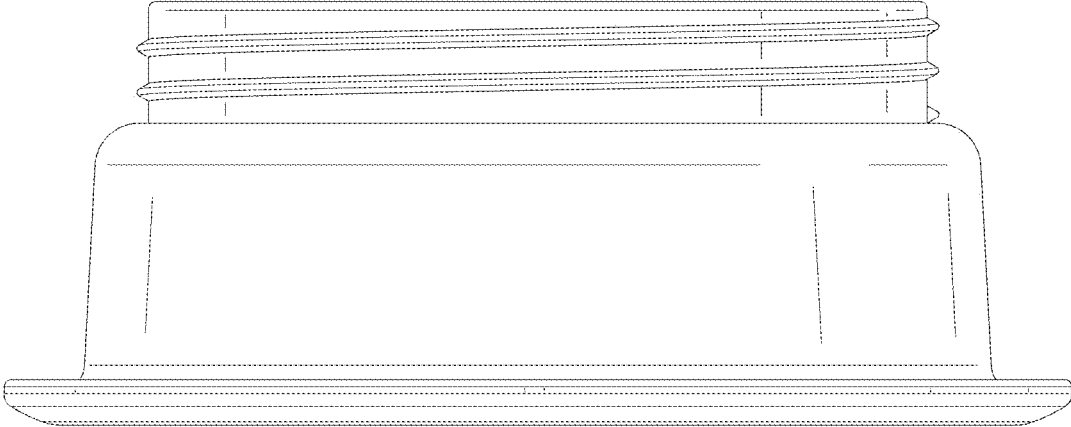


FIG. 23

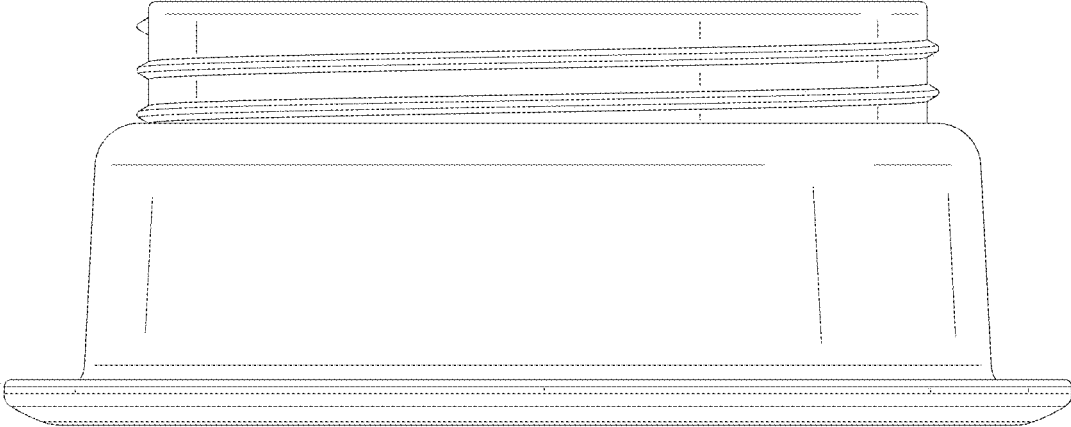


FIG. 24

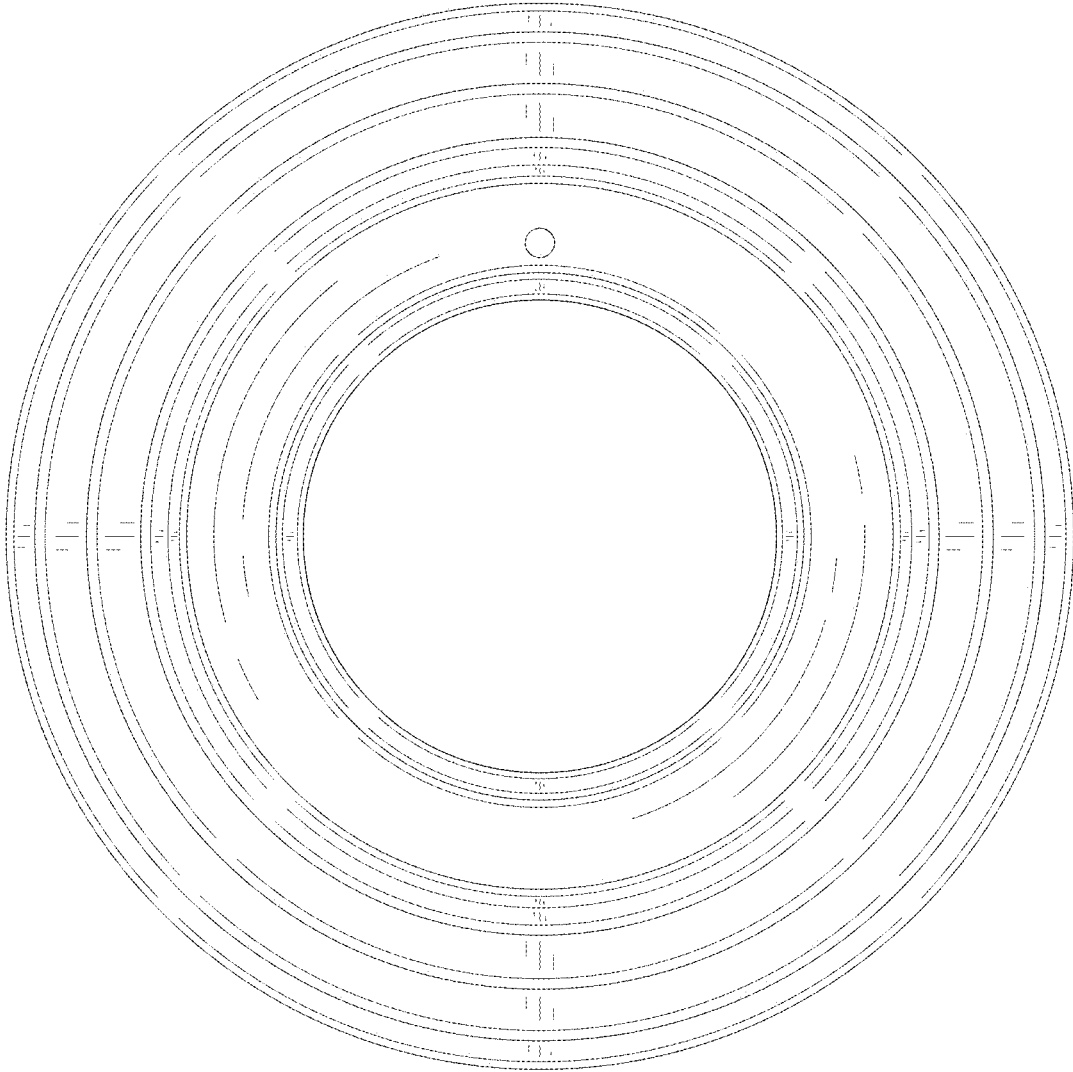


FIG. 25

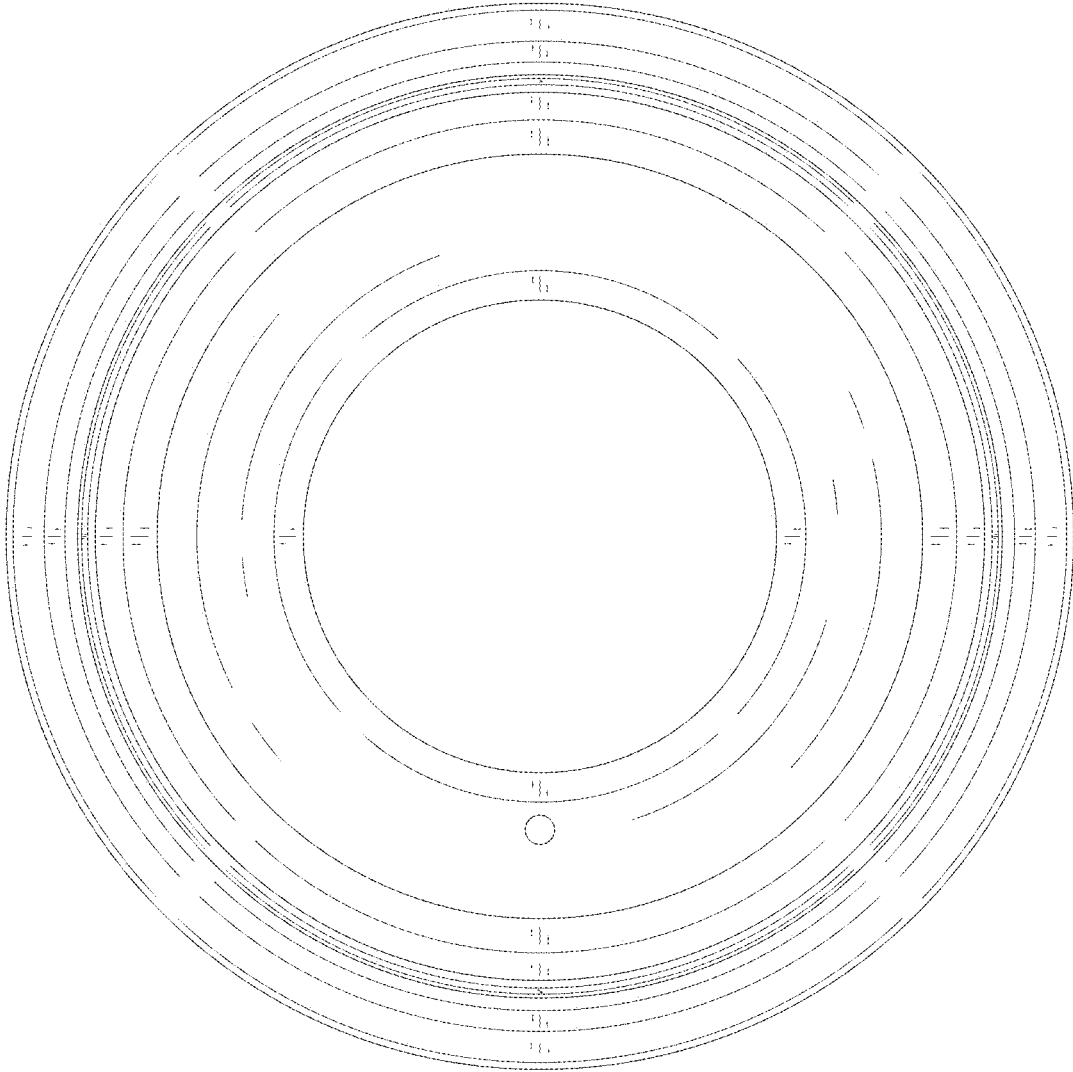


FIG. 26

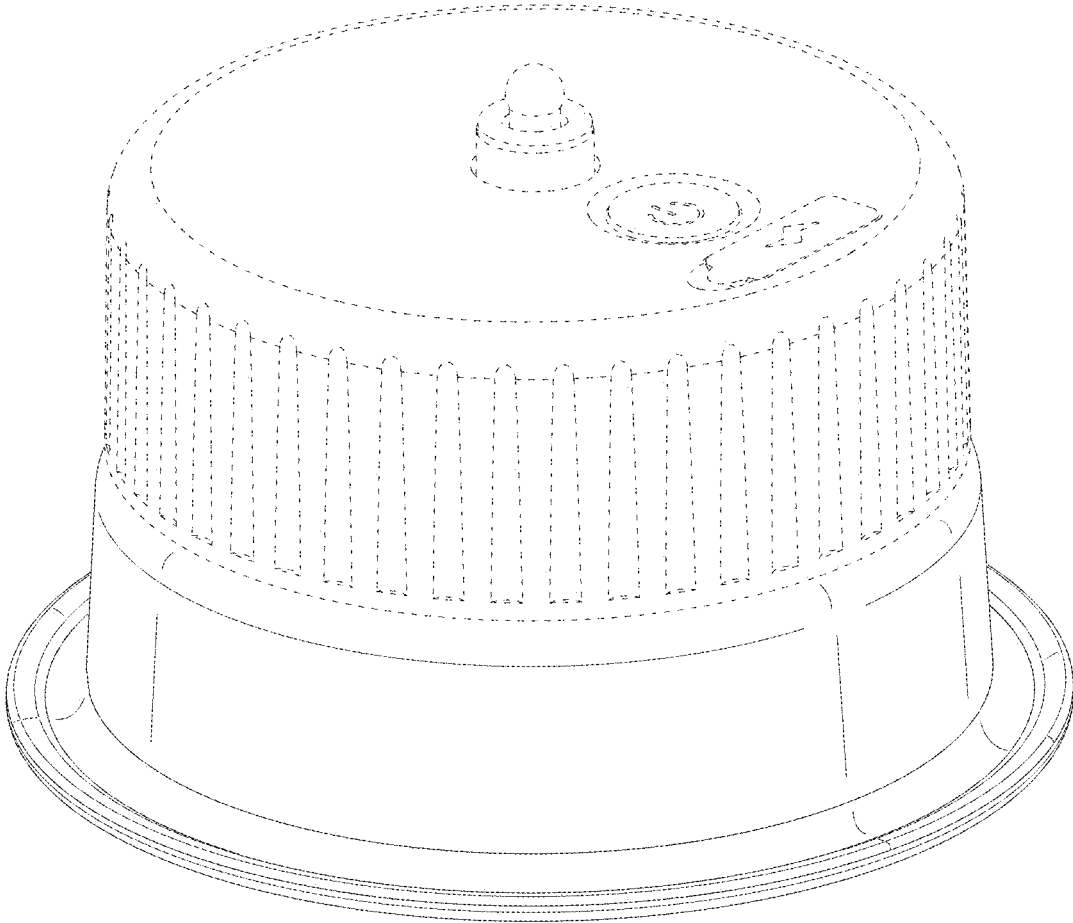


FIG. 27