



US00D906997S

(12) **United States Design Patent**
Tani

(10) **Patent No.:** **US D906,997 S**

(45) **Date of Patent:** **** Jan. 5, 2021**

(54) **TELEPHONE BASE UNIT**
(71) Applicant: **Panasonic Intellectual Property Management Co., Ltd., Osaka (JP)**
(72) Inventor: **Atsushi Tani, Kyoto-fu (JP)**
(73) Assignee: **Panasonic Intellectual Property Management Co., Ltd., Osaka (JP)**
(**) Term: **15 Years**
(21) Appl. No.: **29/711,135**

6,088,447 A * 7/2000 Aggus H04M 1/0295
379/428.03
D482,342 S * 11/2003 Weidinger D14/151
D490,394 S * 5/2004 Taniguchi D14/151
D499,078 S * 11/2004 Abe D14/151
D499,079 S 11/2004 Abe et al.
D512,705 S * 12/2005 Bhavnani D14/151
D513,412 S * 1/2006 Kodera D14/151
D530,303 S * 10/2006 Tang D14/151
D550,195 S * 9/2007 Ju D14/151
D551,203 S * 9/2007 Abe D14/151
D558,180 S * 12/2007 Daly D14/151
D558,727 S * 1/2008 Daly D14/149

(Continued)

(22) Filed: **Oct. 29, 2019**
(51) **LOC (13) Cl.** **14-03**
(52) **U.S. Cl.**
USPC **D14/151**
(58) **Field of Classification Search**
USPC ... D14/140, 140.1, 140.7, 140.8, 141.2, 142,
D14/144, 147, 148, 149, 150, 151, 158,
D14/159, 188, 217, 240, 243, 247, 248,
D14/251, 299, 329, 462, 467, 471, 130,
D14/403, 338; D21/517; D24/165
CPC H04M 1/00; H04M 1/003; H04M 1/02;
H04M 1/0289; H04M 1/0297; H04M
1/0214; H04M 1/03; H04M 1/23; H04M
1/253; H04M 1/2535; H04M 7/006
See application file for complete search history.

OTHER PUBLICATIONS

Telephones. (Design—© Questel) orbit.com. [online PDF] 56 pgs.
Print Dates Range Jun. 12, 19912 through Dec. 20, 2019 [Oct. 23,
2020] <https://www.orbit.com/export/QPTUJ214/pdf2/ed7d6720-d77d-4016-ac21-a1ac3976dd8d-221119.pdf>*

Primary Examiner — Marie D. Fast Horse
(74) *Attorney, Agent, or Firm* — Brinks Gilson & Lione

(57) **CLAIM**

I claim the ornamental design for a telephone base unit, as shown and described.

DESCRIPTION

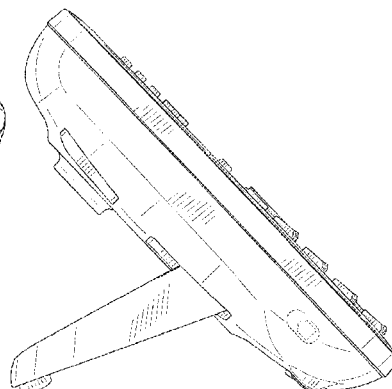
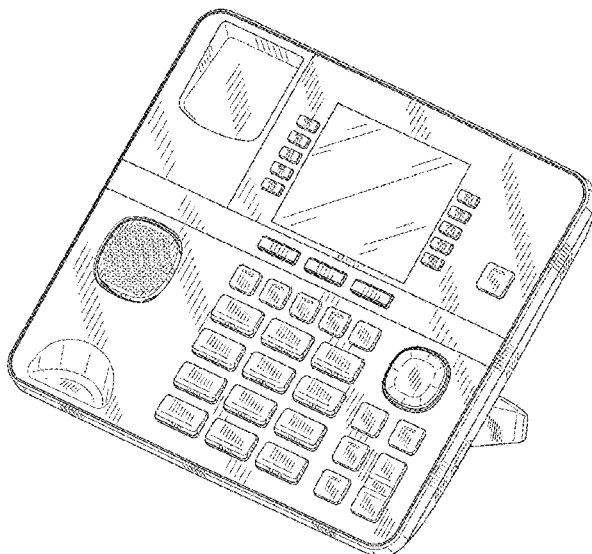
FIG. 1 is a top-front perspective view of a telephone base unit of the present invention;
FIG. 2 is a top-rear perspective view thereof;
FIG. 3 is a front view thereof;
FIG. 4 is a rear view thereof;
FIG. 5 is a left side view thereof;
FIG. 6 is a right side view thereof;
FIG. 7 is a top view thereof; and,
FIG. 8 is a bottom view thereof.
The broken lines in the drawings depict portions of the telephone base unit that form no part of the claimed design.

1 Claim, 8 Drawing Sheets

(56) **References Cited**

U.S. PATENT DOCUMENTS

D306,444 S * 3/1990 Fried D14/151
D313,595 S * 1/1991 Morooka D14/144
D319,829 S * 9/1991 Wu D14/151
D332,263 S * 1/1993 Taniguchi D14/151
D368,091 S * 3/1996 Yoshihiko D14/151
D375,095 S * 10/1996 Hillenmayer D14/151
D387,056 S * 12/1997 Yoneyama D14/151
D405,447 S * 2/1999 Landry D14/151
D427,985 S * 7/2000 Takayama D14/130



(56)

References Cited

U.S. PATENT DOCUMENTS

D558,729 S *	1/2008	Daly	D14/151	D750,591 S	3/2016	Katori	
D558,730 S *	1/2008	Nakashima	D14/151	D753,624 S *	4/2016	Ji	D14/151
D565,020 S *	3/2008	Daly	D14/149	D769,839 S *	10/2016	Tani	D14/144
D575,262 S *	8/2008	Brown	D14/151	D771,005 S *	11/2016	Tani	D14/142
D575,263 S *	8/2008	Brown	D14/151	D781,809 S *	3/2017	Schwarz	D14/151
D576,146 S *	9/2008	Brown	D14/151	D781,810 S *	3/2017	Schwarz	D14/151
D576,998 S *	9/2008	Furuno	D14/151	D782,994 S *	4/2017	Schwarz	D14/151
D581,897 S *	12/2008	Katori	D14/151	D784,283 S *	4/2017	Snyder	D14/144
D596,612 S *	7/2009	Akatsu	D14/151	D788,737 S *	6/2017	Takei	D14/151
D596,613 S *	7/2009	Akatsu	D14/151	D789,322 S *	6/2017	Ookawa	D14/150
D597,061 S *	7/2009	Akatsu	D14/151	9,762,709 B1 *	9/2017	Snyder	H04M 1/02
D600,670 S *	9/2009	Akatsu	D14/151	D829,189 S *	9/2018	Su	D14/151
D600,671 S *	9/2009	Akatsu	D14/151	D835,060 S *	12/2018	Peng	D14/151
D601,118 S *	9/2009	Akatsu	D14/151	D848,391 S *	5/2019	Li	D14/151
D601,119 S *	9/2009	Akatsu	D14/151	D851,617 S *	6/2019	Rodriguez	D14/151
D613,724 S *	4/2010	Kao	D14/151	D853,981 S *	7/2019	Nakano	D14/151
D621,381 S *	8/2010	Akatsu	D14/140	D865,701 S *	11/2019	Tani	D14/151
D657,772 S *	4/2012	Shadovitz	D14/150	D877,711 S *	3/2020	Taniguchi	D14/151
D658,627 S *	5/2012	Katori	D14/142	D891,388 S *	7/2020	Zhang	D14/151
D664,519 S *	7/2012	Akatsu	D14/142	D891,389 S *	7/2020	Zhang	D14/151
D664,520 S *	7/2012	Shadovitz	D14/150	D896,199 S *	9/2020	Rodriguez	D14/151
D678,855 S *	3/2013	Shadovitz	D14/150	2009/0161862 A1 *	6/2009	Yoshida	H04M 1/12 379/436
D709,852 S	7/2014	Yoshida		2009/0283655 A1 *	11/2009	Fukuda	H04M 1/0297 248/454
D723,503 S	3/2015	Jeon et al.		2010/0322410 A1 *	12/2010	Lin	H04M 1/0295 379/428.03
D739,373 S *	9/2015	Hillenmayer	D14/144				

* cited by examiner

FIG. 1

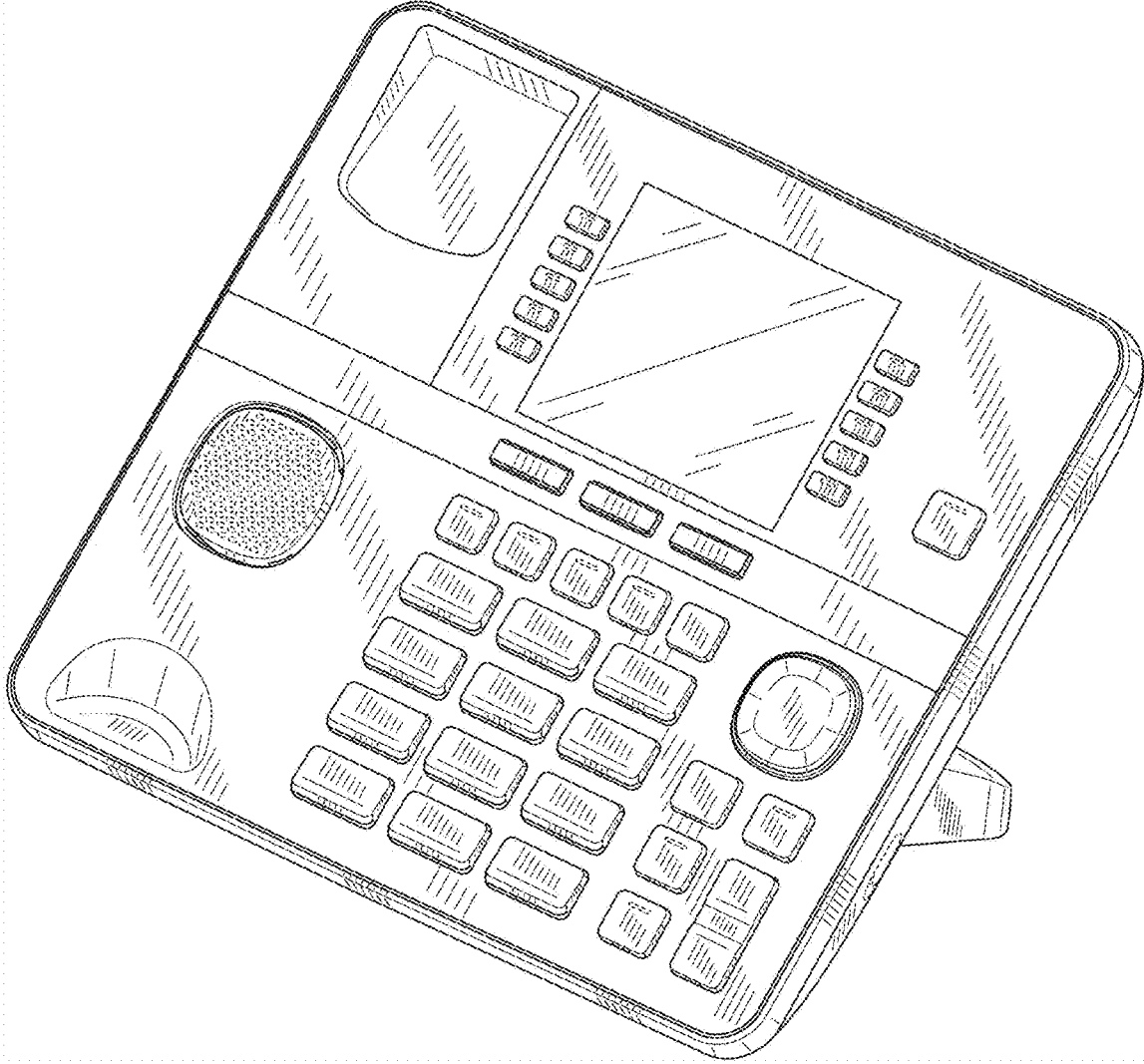


FIG. 2

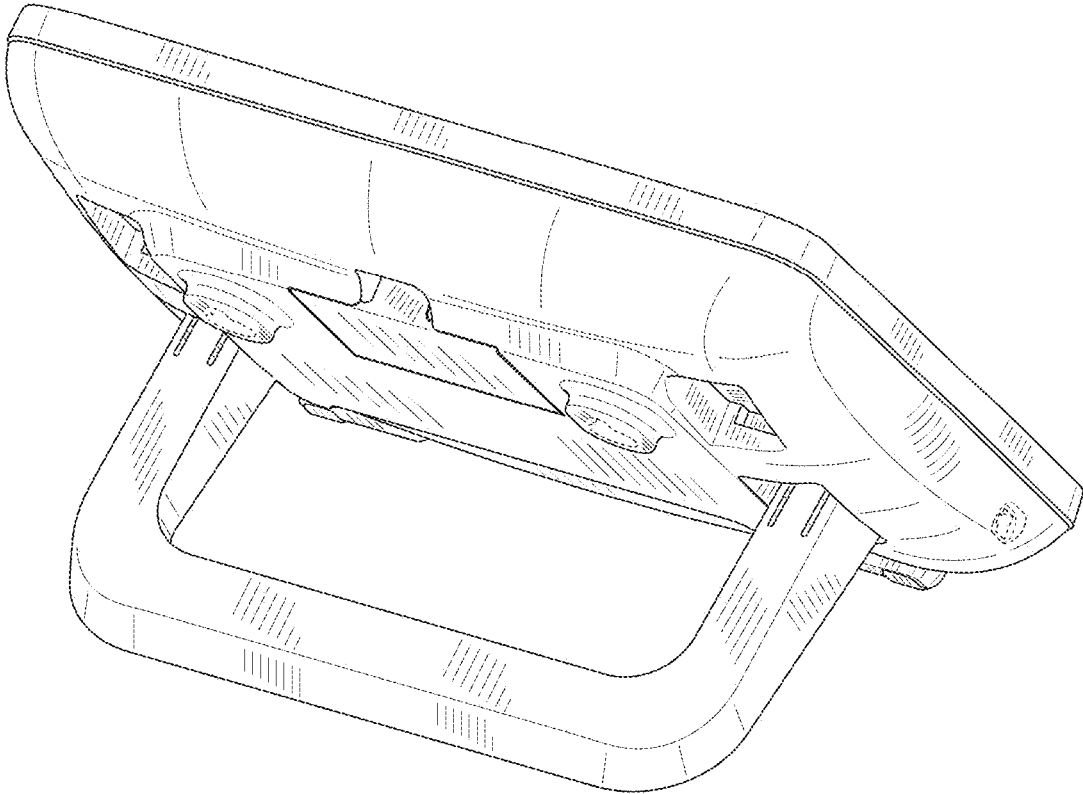


FIG. 3

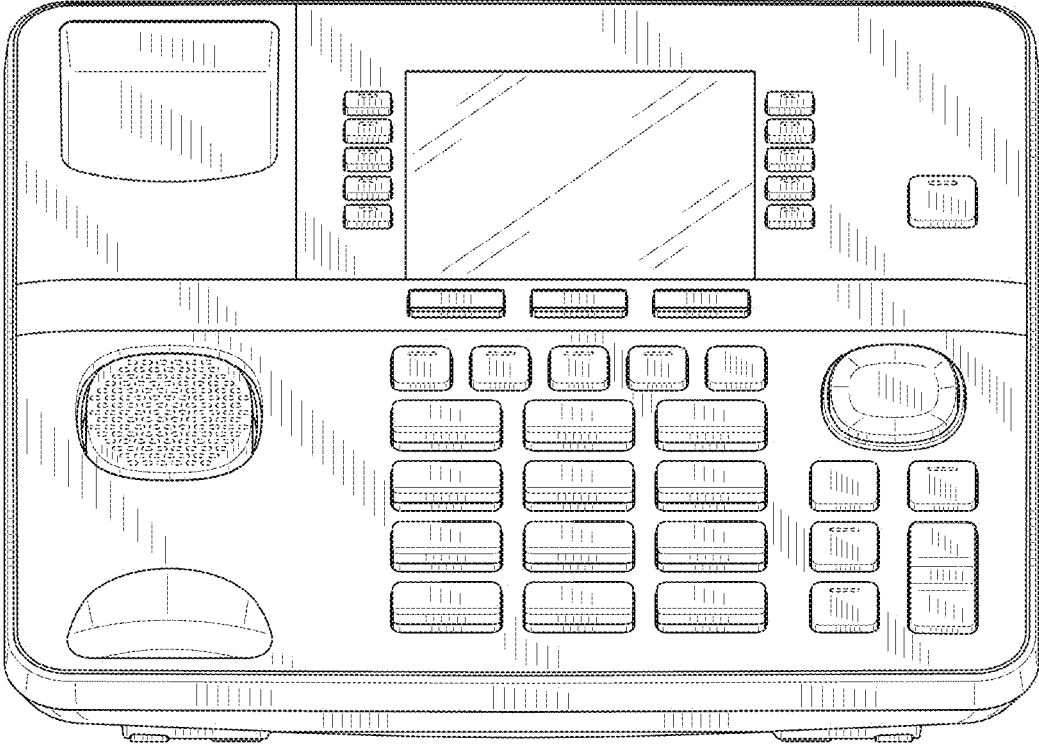


FIG. 4

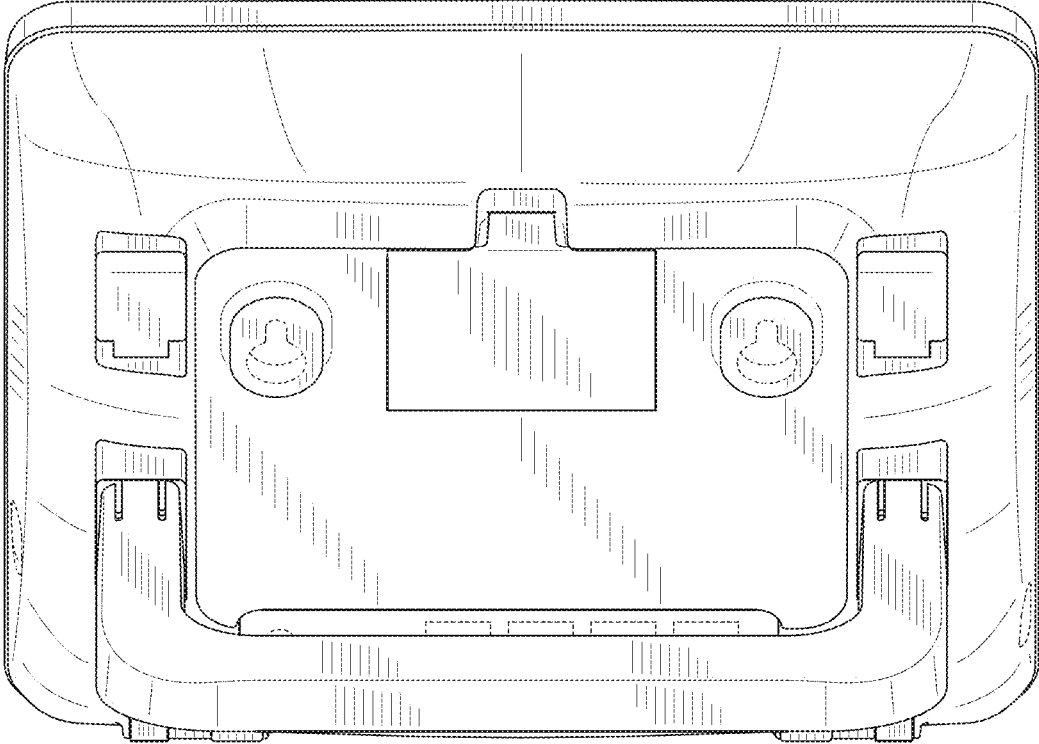


FIG. 5

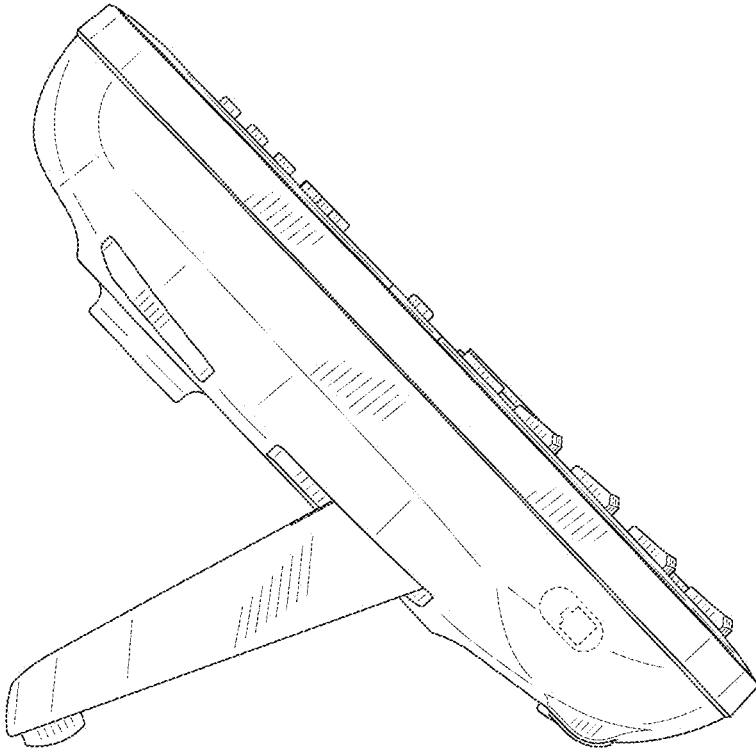


FIG. 6

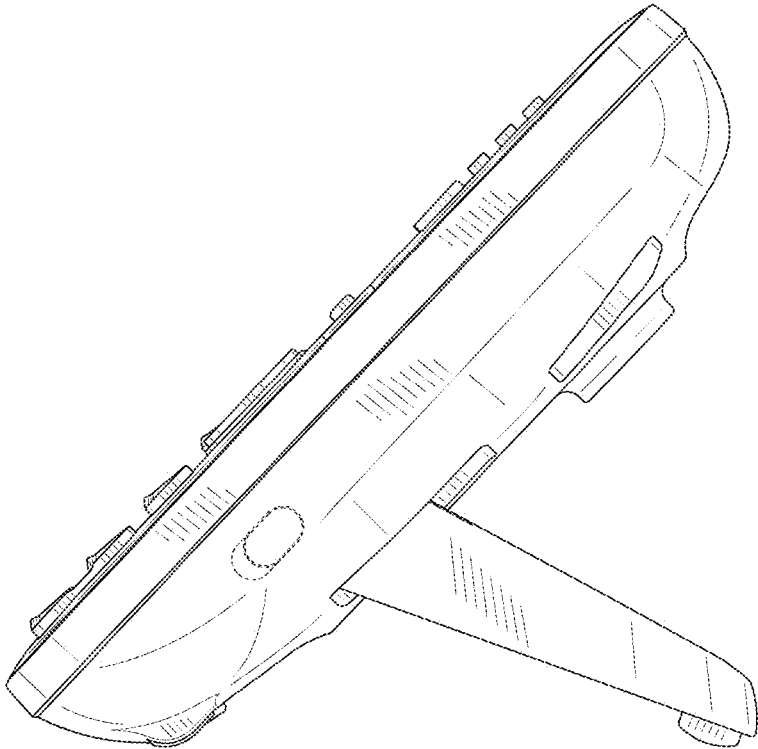


FIG. 7

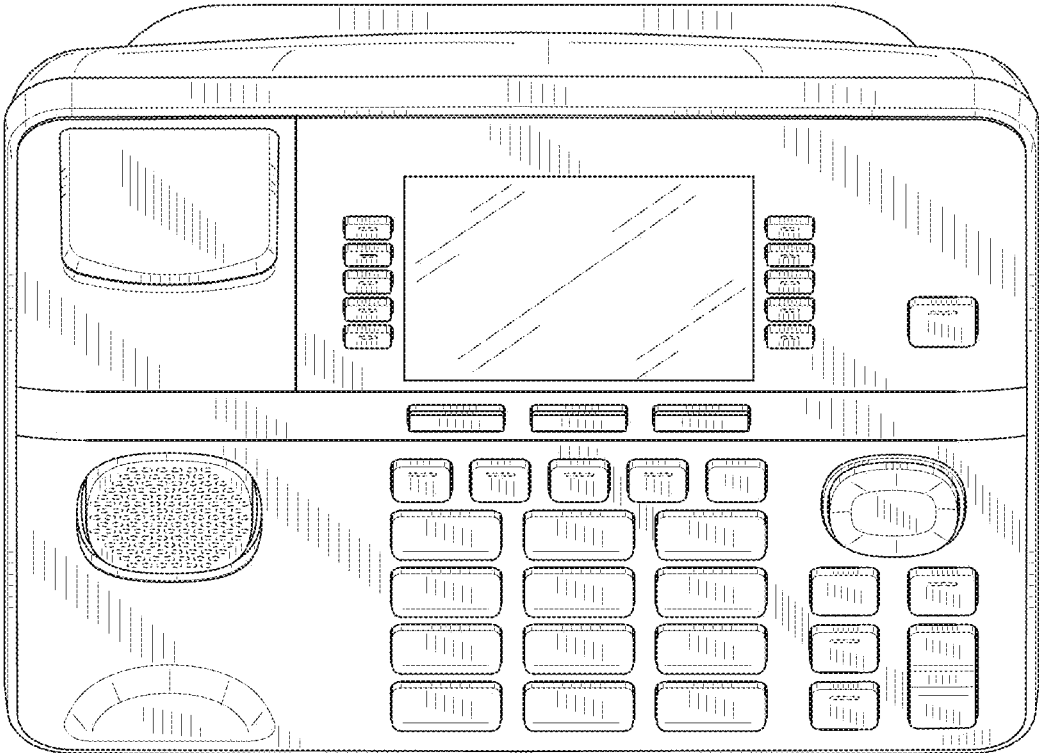


FIG. 8

