



US00D411099S

United States Patent [19]
Smith

[11] **Patent Number: Des. 411,099**

[45] **Date of Patent: ** Jun. 15, 1999**

[54] **MULTIPLE TIE DOWN HOOK**

1,073,226 9/1913 Freeman .

[75] Inventor: **Lonnie M. Smith**, St. Louis, Mo.

Primary Examiner—Holly Baynham
Attorney, Agent, or Firm—Paul M. Denk

[73] Assignee: **S & J Metal Manufacturing, Inc.**,
Cuba, Mo.

[57] **CLAIM**

[**] Term: **14 Years**

The ornamental design for the multiple tie down hook, as shown.

[21] Appl. No.: **29/093,240**

[22] Filed: **Sep. 4, 1998**

DESCRIPTION

[51] **LOC (6) Cl.** **08-05**

FIG. 1 provides a side view of the multiple tie-down hook;

[52] **U.S. Cl.** **D8/367**

FIG. 2 provides a bottom view thereof;

[58] **Field of Search** D8/367; 248/499,

FIG. 3 is a top view thereof;

248/301, 302, 303, 304, 339

FIG. 4 is an opposite side view;

FIG. 5 is an end view; and,

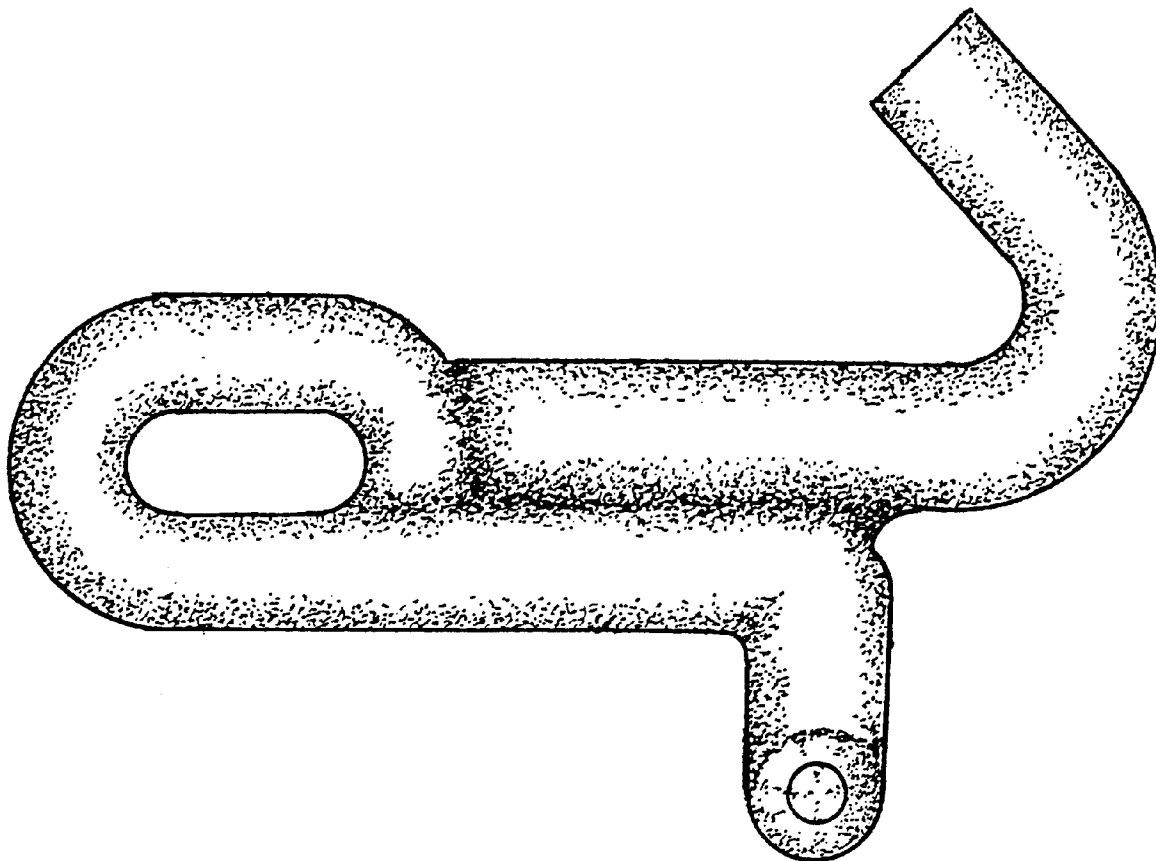
FIG. 6 is an opposite view.

[56] **References Cited**

U.S. PATENT DOCUMENTS

D. 273,176 3/1984 Abbott D8/356

1 Claim, 2 Drawing Sheets



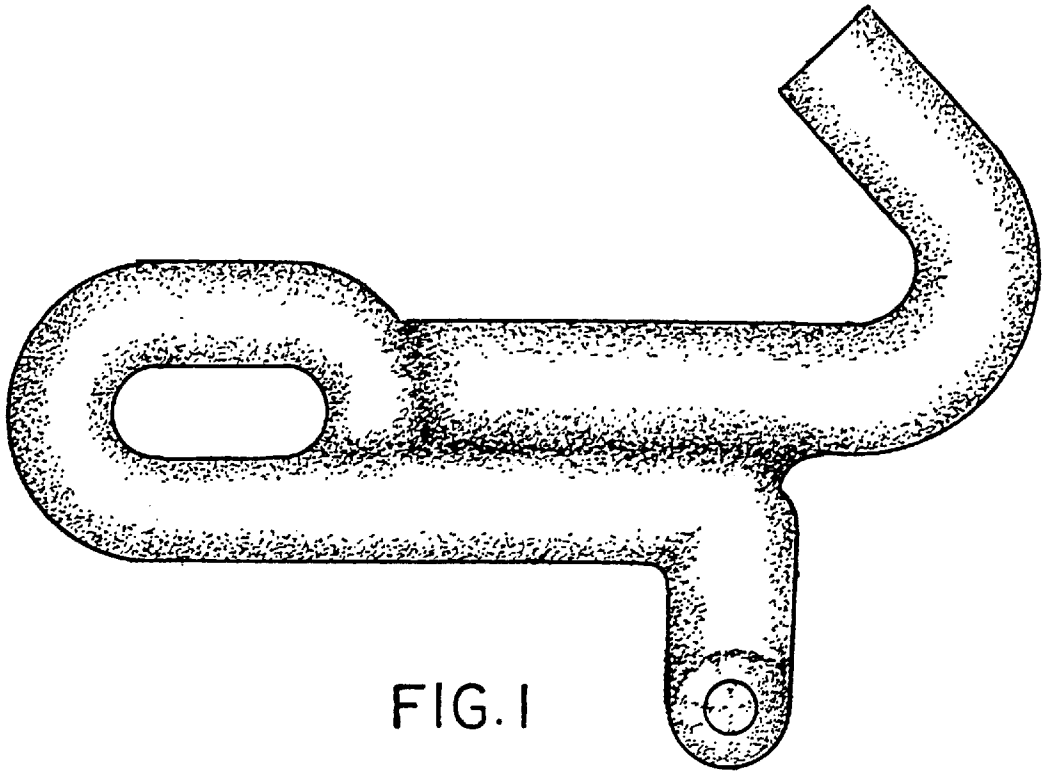


FIG. 1

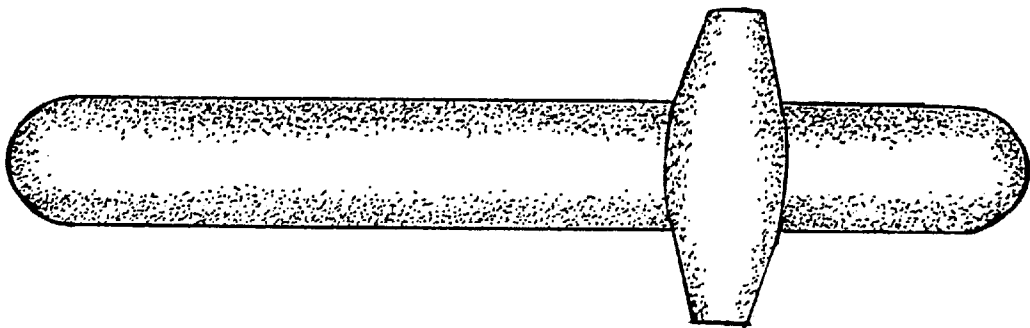


FIG. 2

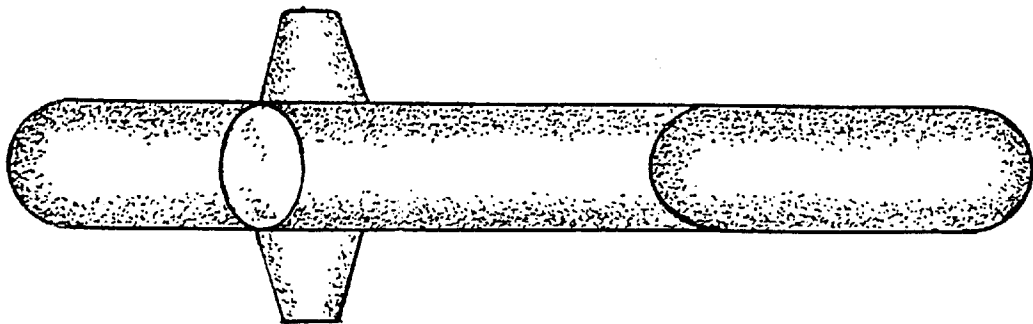


FIG. 3

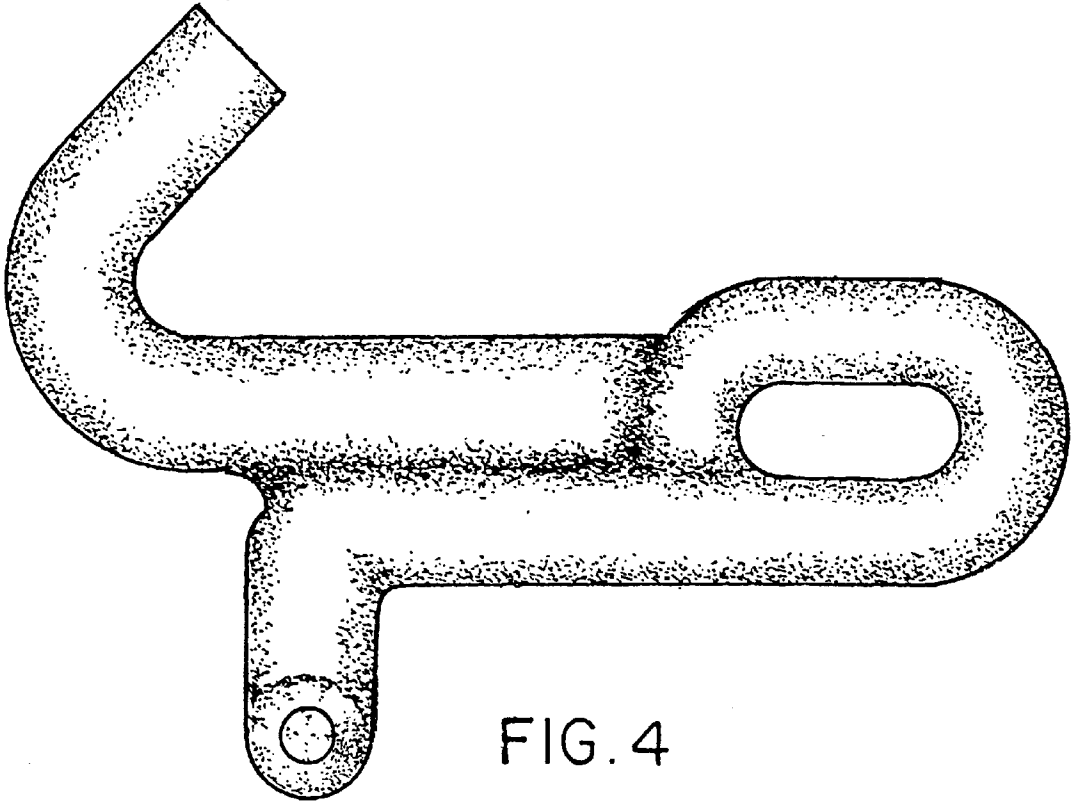


FIG. 4

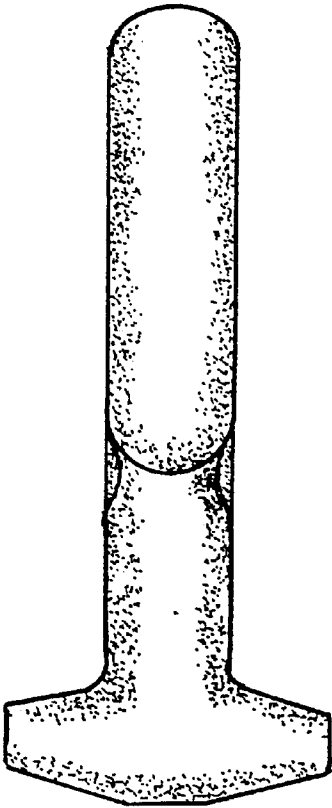


FIG. 5

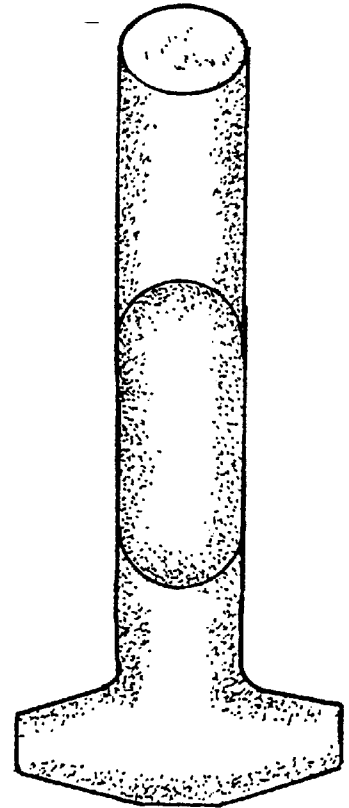


FIG. 6