



US0D1035790S

(12) **United States Design Patent**
Latour et al.

(10) **Patent No.:** **US D1,035,790 S**

(45) **Date of Patent:** **** Jul. 16, 2024**

- (54) **TABLE**
- (71) Applicant: **Mattel-MEGA Holdings (US), LLC**,
El Segundo, CA (US)
- (72) Inventors: **Patrick Latour**, Blainville (CA);
Philippe Brunet, Lachine (CA);
Véronique Tellier, Outremont (CA)
- (73) Assignee: **Mattel-MEGA Holdings (US), LLC**,
El Segundo, CA (US)
- (**) Term: **15 Years**
- (21) Appl. No.: **29/834,836**
- (22) Filed: **Apr. 14, 2022**
- (51) **LOC (14) Cl.** **21-01**
- (52) **U.S. Cl.**
USPC **D21/522**
- (58) **Field of Classification Search**
USPC D21/334-337, 385-386, 519, 522;
D6/337, 707.22, 708, 656.15, 686
CPC A63F 9/26; A63F 9/0073; A47B 83/02;
A47D 13/043
See application file for complete search history.

8,528,489 B2	9/2013	Roy et al.	
9,032,883 B2	5/2015	Roy et al.	
9,282,819 B2 *	3/2016	Blake	A47B 87/002
9,498,054 B2	11/2016	Roy et al.	
9,756,934 B2	9/2017	Roy et al.	
D829,029 S *	9/2018	Reinhart	D6/684
D921,771 S *	6/2021	Lo	D21/522

FOREIGN PATENT DOCUMENTS

CN 307378477 * 5/2022

OTHER PUBLICATIONS

Humble Crew Building BLocks Table, Amazon reviews 2023, site visited Feb. 26, 2024, <https://www.amazon.com/Tot-Tutors-Building-Blocks-Compatible-Activity/dp/B0763B5BYG/>. *

* cited by examiner

Primary Examiner — John R Yeh
(74) *Attorney, Agent, or Firm* — Plumsea Law Group, LLC

(57) **CLAIM**

The ornamental design for a table, as shown and described.

(56) **References Cited**

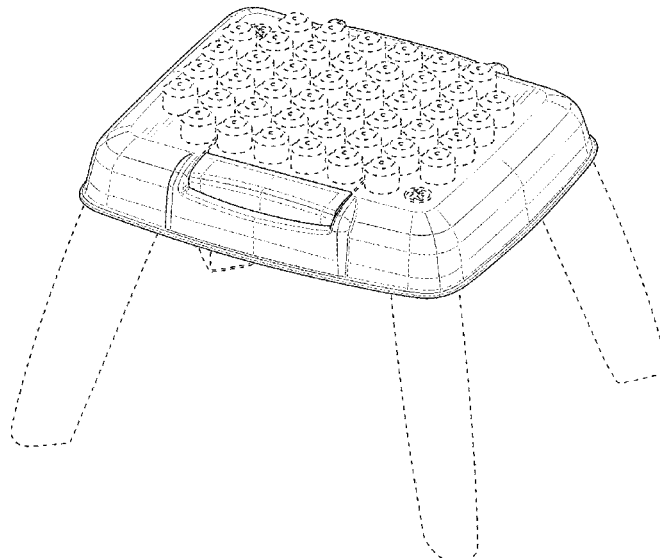
U.S. PATENT DOCUMENTS

D310,695 S *	9/1990	Kushner	D21/558
D327,185 S *	6/1992	Ryaa	D7/332
5,160,288 A	11/1992	Seda	
D350,247 S *	9/1994	Buske	D21/522
D358,511 S	5/1995	Frahm	
D368,189 S *	3/1996	Bro	D21/522
5,556,181 A	9/1996	Bertrand	
5,782,185 A	7/1998	Frahm et al.	
5,794,540 A	8/1998	Dombrowski et al.	
6,964,595 B2	11/2005	Libretti	
7,578,720 B2 *	8/2009	Drosendahl	A47D 3/00 446/227
D671,994 S	12/2012	Wojtkiewicz	

DESCRIPTION

FIG. 1 is a top front isometric perspective view of a table showing the new design;
FIG. 2 is a front elevational view thereof;
FIG. 3 is a rear elevational view thereof;
FIG. 4 is a side elevational view thereof;
FIG. 5 is an opposite side elevational view thereof;
FIG. 6 is a top plan view thereof; and,
FIG. 7 is a bottom plan view thereof.
The broken lines in the figures illustrate portions of the table's appearance that form no part of the claimed design.

1 Claim, 7 Drawing Sheets



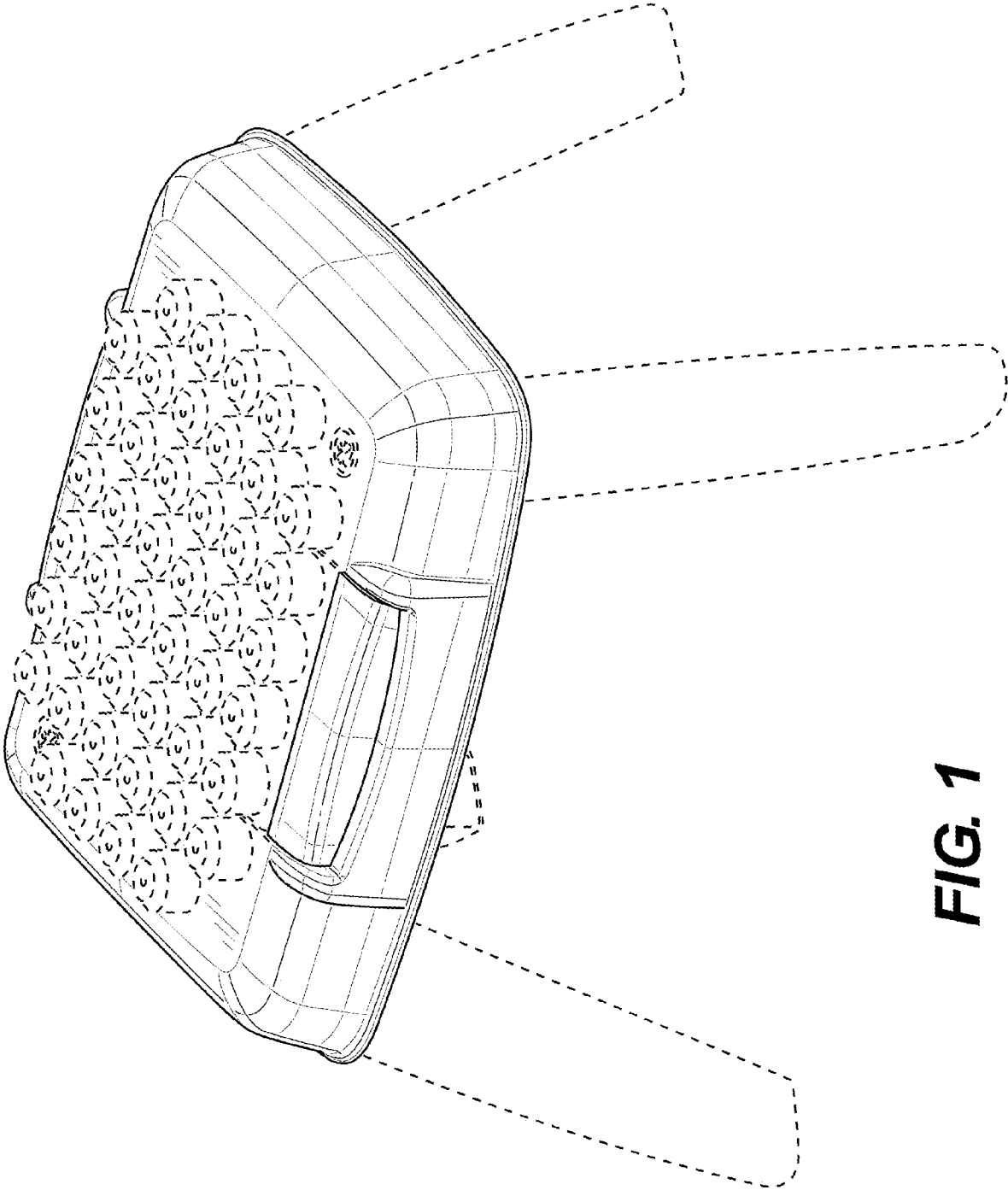


FIG. 1

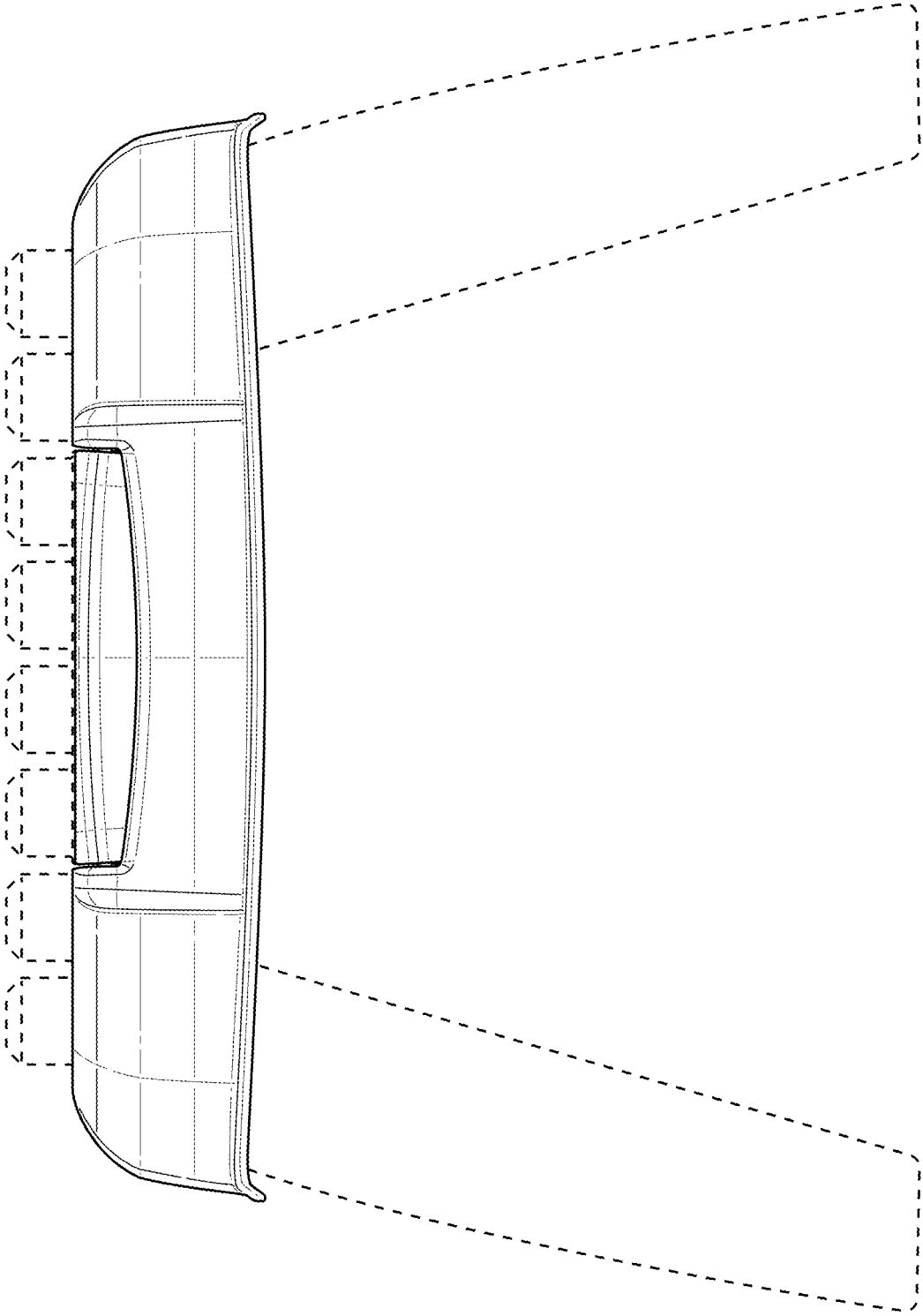


FIG. 2

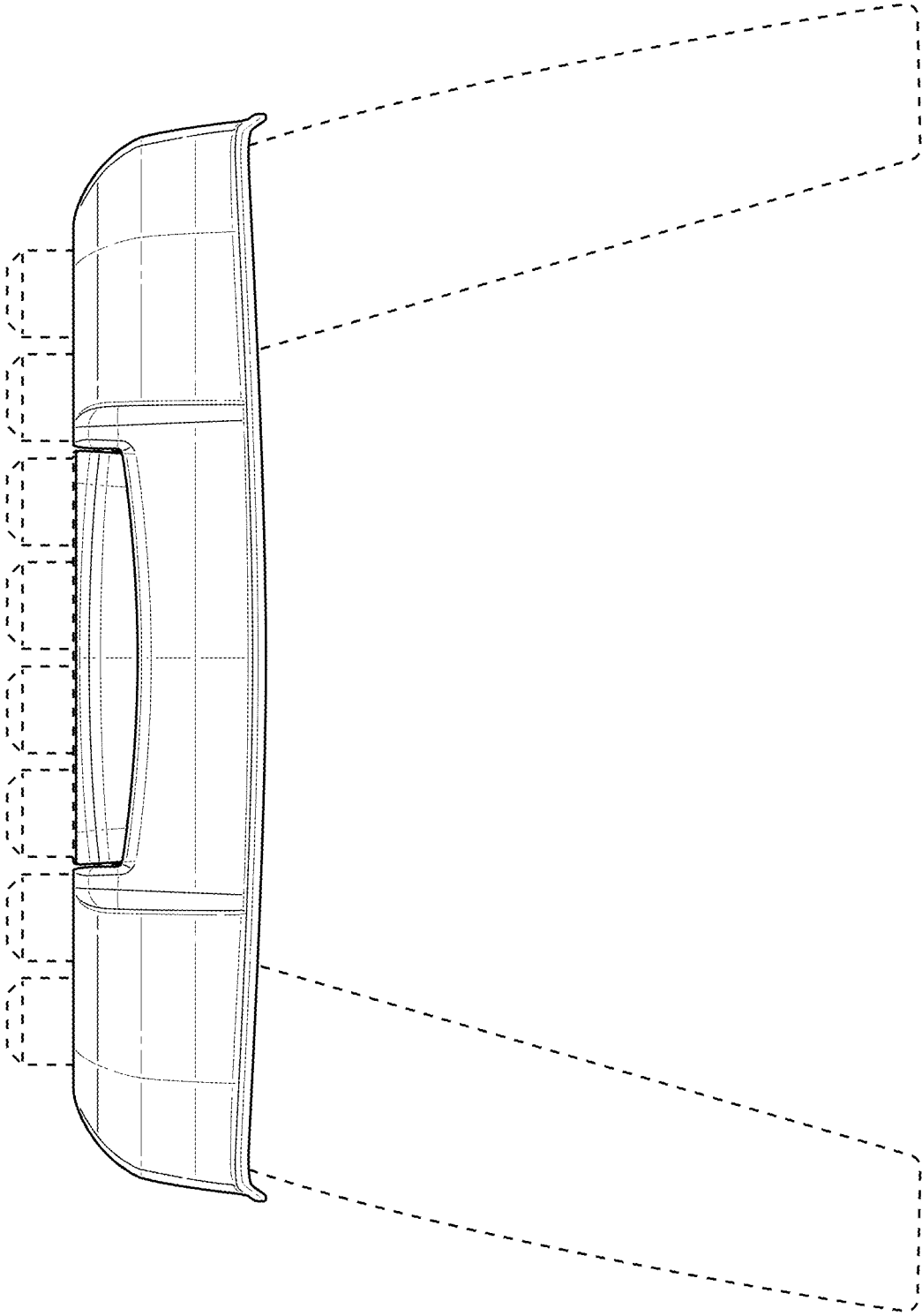


FIG. 3

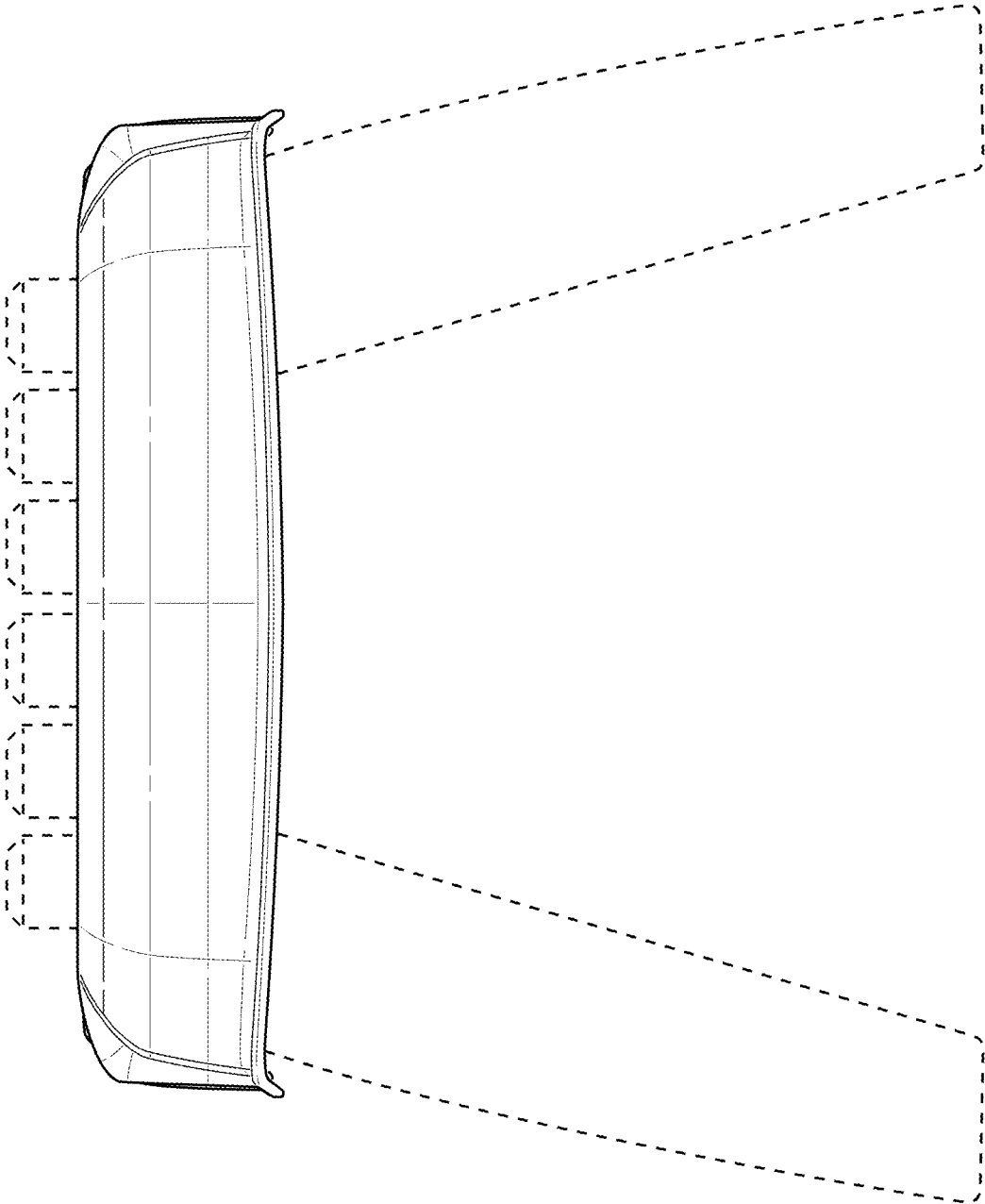


FIG. 4

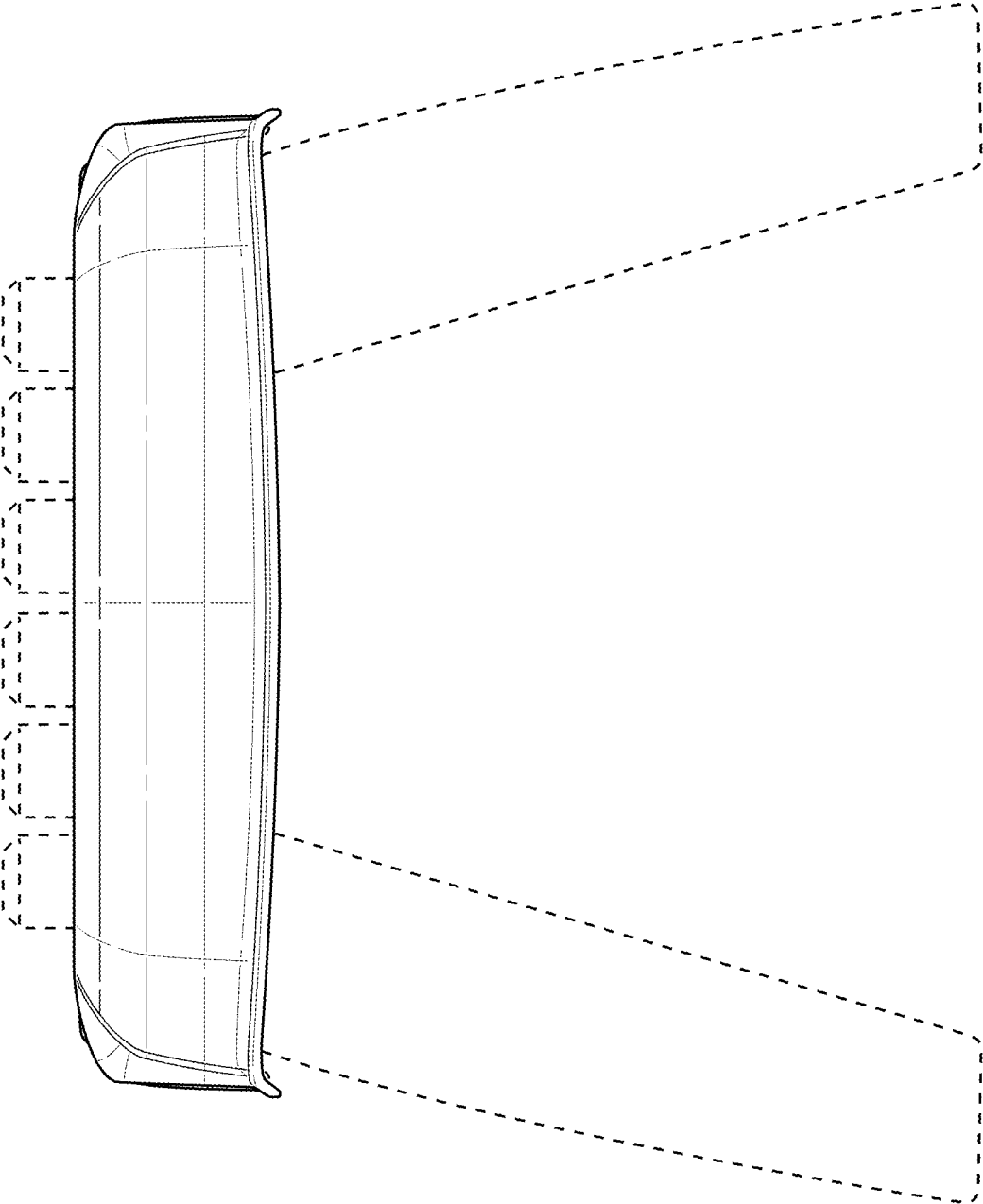


FIG. 5

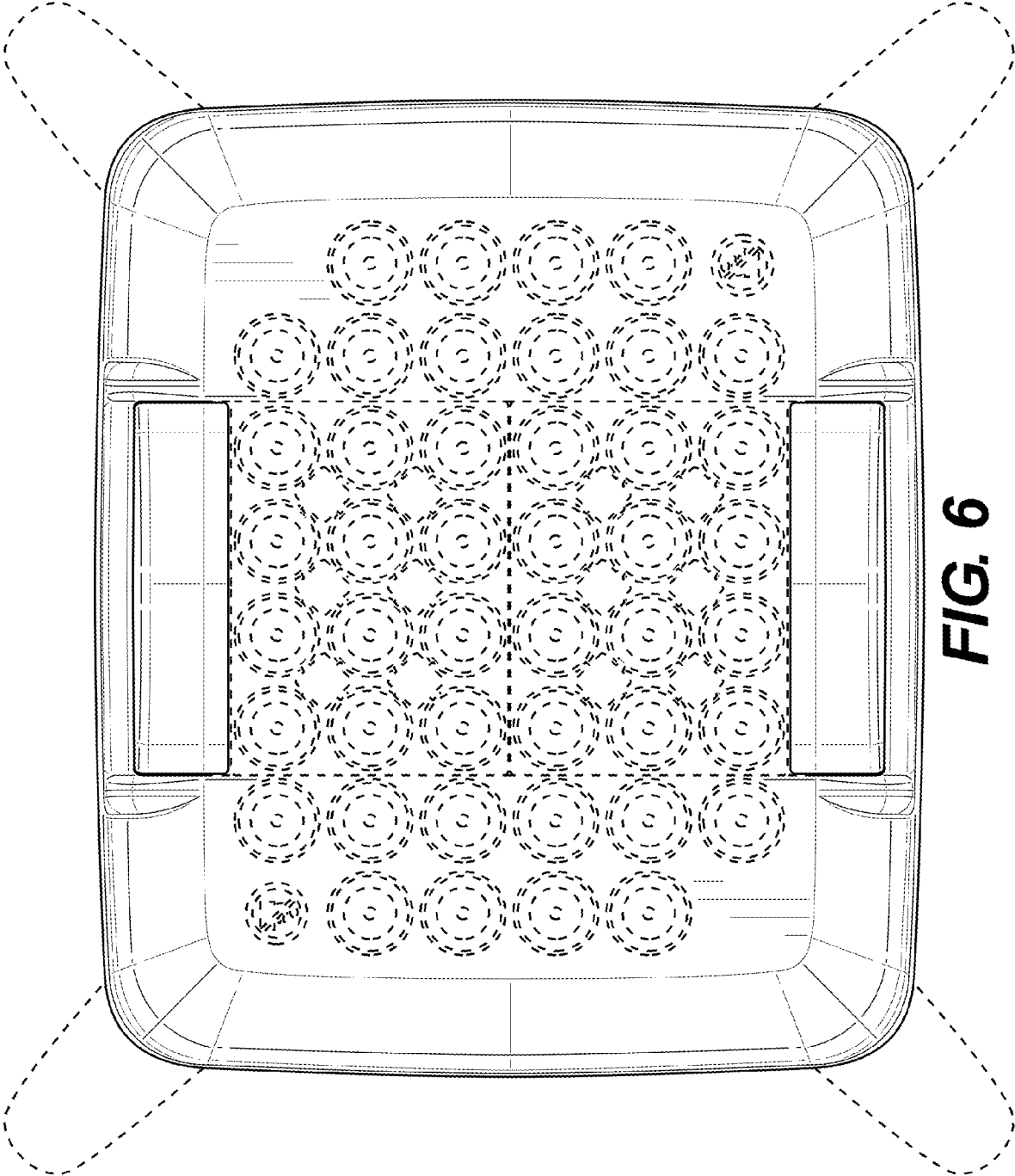


FIG. 6

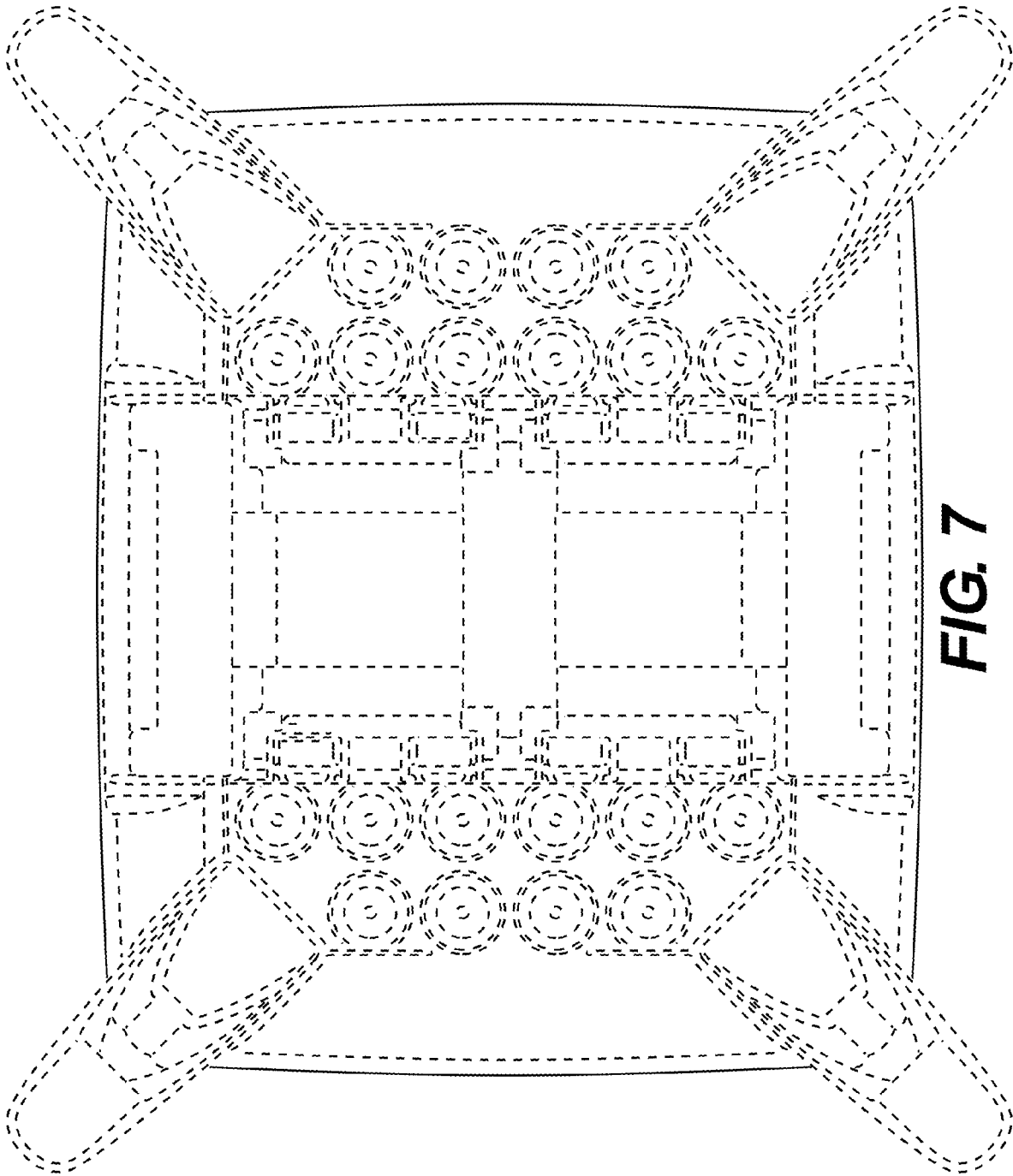


FIG. 7