



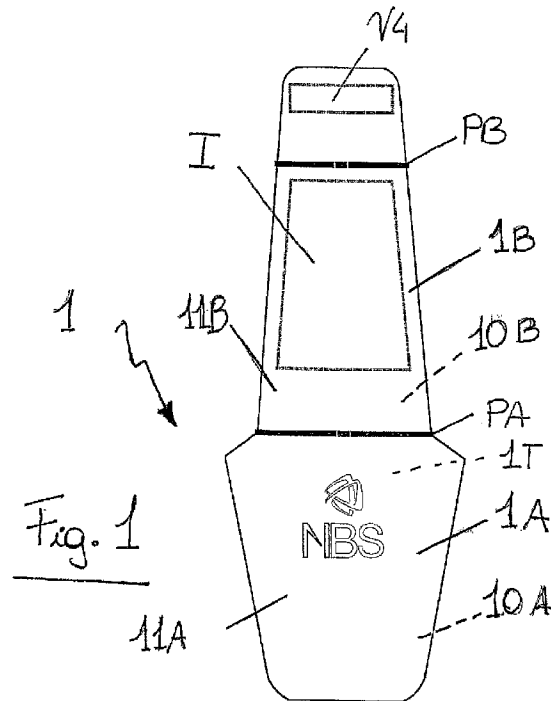
(12) **DEMANDE DE BREVET CANADIEN
CANADIAN PATENT APPLICATION**

(13) **A1**

(86) Date de dépôt PCT/PCT Filing Date: 2020/06/03
 (87) Date publication PCT/PCT Publication Date: 2020/12/30
 (85) Entrée phase nationale/National Entry: 2021/11/15
 (86) N° demande PCT/PCT Application No.: IT 2020/050139
 (87) N° publication PCT/PCT Publication No.: 2020/261303
 (30) Priorité/Priority: 2019/06/25 (IT102019000010035)

(51) Cl.Int./Int.Cl. *A43B 1/00* (2006.01),
A43C 7/00 (2006.01), *A43C 7/02* (2006.01)
 (71) Demandeur/Applicant:
10 OTTOBRE S.R.L., IT
 (72) Inventeur/Inventor:
SPINELLI, ANDREA, IT
 (74) Agent: SMART & BIGGAR LLP

(54) Titre : ACCESSOIRE POUR CHAUSSURE
 (54) Title: ACCESSORY FOR FOOTWEAR



(57) Abrégé/Abstract:

Accessory for lace-up shoes, comprising a body (1) with a containing part (1A) and an anchoring part (1B), wherein a pocket (1T) of predetermined width is formed in the containing part (1A) and wherein the anchoring part (1B) is adapted to be anchored to a lace-up shoe, characterized in that said anchoring part (1B) is provided with stable but reversible anchoring means to the lace (L) of the shoe, such that the body (1) can be anchored to the lace-up shoe by means of the lace only.

(12) INTERNATIONAL APPLICATION PUBLISHED UNDER THE PATENT COOPERATION TREATY (PCT)

(19) World Intellectual Property
Organization
International Bureau



(10) International Publication Number
WO 2020/261303 A1

(43) International Publication Date
30 December 2020 (30.12.2020)

(51) International Patent Classification:

A43B 1/00 (2006.01) A43C 7/00 (2006.01)
A43B 3/00 (2006.01) A43C 7/02 (2006.01)

(21) International Application Number:

PCT/IT2020/050139

(22) International Filing Date:

03 June 2020 (03.06.2020)

(25) Filing Language:

English

(26) Publication Language:

English

(30) Priority Data:

102019000010035 25 June 2019 (25.06.2019) IT

(71) Applicant: **10 OTTOBRE S.R.L.** [IT/IT]; Via Leonardo da Vinci 25, I-50052 Certaldo (FI) (IT).

(72) Inventor: **SPINELLI, Andrea**; Via del Duca 12, I-52045 Foiano della Chiana (AR) (IT).

(74) Agent: **MINCONE, Antimo**; Viale Europa 101, I-50126 Firenze (IT).

(81) Designated States (unless otherwise indicated, for every kind of national protection available): AE, AG, AL, AM, AO, AT, AU, AZ, BA, BB, BG, BH, BN, BR, BW, BY, BZ, CA, CH, CL, CN, CO, CR, CU, CZ, DE, DJ, DK, DM, DO, DZ, EC, EE, EG, ES, FI, GB, GD, GE, GH, GM, GT, HN, HR, HU, ID, IL, IN, IR, IS, JO, JP, KE, KG, KH, KN, KP,

KR, KW, KZ, LA, LC, LK, LR, LS, LU, LY, MA, MD, ME, MG, MK, MN, MW, MX, MY, MZ, NA, NG, NI, NO, NZ, OM, PA, PE, PG, PH, PL, PT, QA, RO, RS, RU, RW, SA, SC, SD, SE, SG, SK, SL, ST, SV, SY, TH, TJ, TM, TN, TR, TT, TZ, UA, UG, US, UZ, VC, VN, WS, ZA, ZM, ZW.

(84) Designated States (unless otherwise indicated, for every kind of regional protection available): ARIPO (BW, GH, GM, KE, LR, LS, MW, MZ, NA, RW, SD, SL, ST, SZ, TZ, UG, ZM, ZW), Eurasian (AM, AZ, BY, KG, KZ, RU, TJ, TM), European (AL, AT, BE, BG, CH, CY, CZ, DE, DK, EE, ES, FI, FR, GB, GR, HR, HU, IE, IS, IT, LT, LU, LV, MC, MK, MT, NL, NO, PL, PT, RO, RS, SE, SI, SK, SM, TR), OAPI (BF, BJ, CF, CG, CI, CM, GA, GN, GQ, GW, KM, ML, MR, NE, SN, TD, TG).

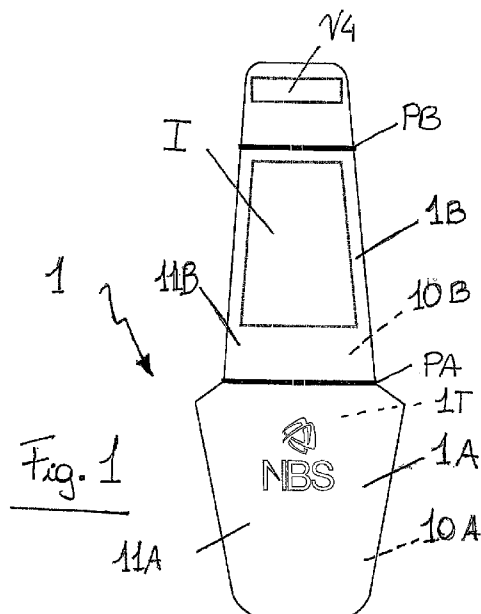
Declarations under Rule 4.17:

- as to applicant's entitlement to apply for and be granted a patent (Rule 4.17(ii))
- of inventorship (Rule 4.17(iv))

Published:

- with international search report (Art. 21(3))

(54) Title: ACCESSORY FOR FOOTWEAR



(57) Abstract: Accessory for lace-up shoes, comprising a body (1) with a containing part (1A) and an anchoring part (1B), wherein a pocket (1T) of predetermined width is formed in the containing part (1A) and wherein the anchoring part (1B) is adapted to be anchored to a lace-up shoe, characterized in that said anchoring part (1B) is provided with stable but reversible anchoring means to the lace (L) of the shoe, such that the body (1) can be anchored to the lace-up shoe by means of the lace only.



WO 2020/261303 A1

TITLE

Accessory for footwear.

DESCRIPTION

5 The present invention relates to an accessory for footwear whose closure system involves the use of laces.

10 It is known that a traditional lace-up shoe has significant drawbacks related to the use of laces to close it. In fact, the excess of the shoelaces, that is the part of the shoelaces that remains loose after making a knot, being free to move, can annoy the user, get entangled, unfasten, get dirty and also easily deteriorate.

There are shoes on the market that have a pocket in the tongue of the upper suitable to receive the excess of the laces used to close the shoe.

15 US2016/0353842A1 discloses a shoe with a pocket for the laces fixed to the tongue of the upper.

20 One of the main drawbacks of footwear lies in the fact that said pocket is inside the tongue of the same upper, and therefore, incorporated into the shoe itself and not removable, which causes drawbacks both in terms of higher manufacturing costs and product reliability.

The main object of the present invention is to overcome the aforementioned drawbacks.

25 This result has been achieved, in accordance with the present invention, by adopting the idea of making a removable accessory for lace-up shoes having the characteristics indicated in claim 1. Other features of the present invention are the subject of the dependent claims.

30 As further highlighted in the following description, the following advantages can be listed among the advantages offered by the present invention: versatility and adaptability, since it can be applied to any type of lace-up shoe without remaining irreversibly constrained to the shoe and without compromising its integrity, insofar as it is removable and can also be used in combination with

35

additional closure systems, such as for example the so-called lace fasteners; the possibility to customize the accessory with logos, decorations, designs or badges etc., as well as the reproducibility in any color and in different shapes and materials also in order to make it more pleasant according to the particular shoe to which the accessory is applied.

Further advantages of the present invention are found: in terms of hygiene, since the final part of the laces that is usually handled by the user, being contained in the pocket, does not come into contact with the ground, mud, snow, etc. as well as in terms of safety, since, for the same reason, the laces do not get caught shrubs and bushes, favoring their use by sportsmen, runners, trekking enthusiasts, hiking, trail running etc. ; in terms of durability ,since the use of this system to collect the laces allows to preserve their integrity.

These and further advantages and characteristics of the present invention will be better understood by each person skilled in the art from the description that follows and with the help of the attached drawings, given as a practical example of the invention, but not to be considered in a limiting sense, in which:

Fig. 1 is a top view of the external surface of an accessory for footwear in accordance with the present invention in an open configuration;

Fig. 2 is a top plan view of the internal surface of an accessory for footwear in accordance with the present invention in an open configuration;

Fig. 3 is a side view of the accessory for footwear of Figs. 1-2 in a closed configuration;

Figs. 4-9 are perspective views of the accessory for footwear in combination with a system for closing the laces of the type comprising a lacing lock;

Fig. 10 is a top view of the external surface of the accessory for footwear according to a further embodiment;

Fig. 11 is a view from below of the external surface of the accessory for footwear according to the further embodiment; Figs. 12-17 are further embodiments of the accessory for footwear in accordance with the present invention;

5 Fig. 18 is a perspective view of an accessory in accordance with the present invention in a closed configuration and anchored to the shoe lace.

Reduced to its essential structure and with reference to the attached drawings, an accessory for lace-up shoes in accordance with the present invention comprises a body (1) 10 with a first part (1A) for containment of the excess of the shoelaces, and a second part (1B) which serves to secure said body (1) to the lace (L).

In said containment part (1A) of the body (1) a pocket (1T) 15 is formed which is adapted to receive the excess of the lace inside it.

In the context of this description, excess of the laces means the part of the laces that remains loose after making a knot. The containment part (1A) of the body (1) in the examples 20 shown in figures 1 and 2 of the attached drawings, has a substantially trapezoidal shape seen from the above.

The second part (1B) of the body (1) is joined to the first part (1A). In the examples shown in figures 1 and 2 the said second part (1B) also has a substantially trapezoidal shape, 25 but it is more elongated and narrower than the first part (1A). The parts (1A, 1B) are joined together at the respective major bases.

Said second part (1B) is adapted to constrain the body (1) to the laces (L) used for closing the shoe (C) thus 30 performing the function of anchoring the body (1) to the shoe as further described below.

The anchoring part (1B) of the body (1), in the example shown in fig. 1 of the attached drawings, has a stiffening surface (I), preferably made of plastic material, which facilitates 35 its sliding under the lace (L) during the application of the

accessory. Said stiffening surface is on the external side (11B) of the anchoring part (1B).

Both parts (1A, 1B) have an internal and an external side respectively indicated by references (10A, 11A, 10B, 11B) in figures 1 and 2.

With reference to the example shown in figures 1 and 2 on the internal side (10B) of the part (1B) there are coupling means, for example a first and a second Velcro strip (V1, V2) at a predetermined distance from each other. On the inner side (10A) of the part (1A) there is a third Velcro strip (V3). Furthermore, on the external side (11B) of the part (1B) there is a fourth Velcro strip (V4).

Said Velcro strips (V1, V2, V3 and V4), anchored to each other, the first strip (V1) with the second strip (V2) and the third strip (V3) with the fourth strip (V4), allow the attachment of the accessory to the shoelaces as further described below.

The part (1B) of the body (1) is made to pass under a lace (L) of the shoe, and the internal side of the free end (F) of the part (1B) is folded on itself along the fold line (PB) so that the first Velcro strip (V1) comes into contact with the second Velcro strip (V2) thus providing a reversible connection of the accessory to the lace that remains between the Velcro strips (V1) and (V2) in correspondence of the fold line (PB).

A knot for closing the lace (L) of the shoe is made, which knot results above the body (1) and in correspondence of the fold line (PA). Once the knot has been made, the excess of the lace is inserted into the pocket (1T) provided by the containment part (1A) and the internal side (10A) of the part (1A) is folded on the internal side (11B) of the part (1B) of so that the third Velcro strip (V3) comes into contact with the fourth Velcro strip (V4), thus closing the accessory. Figure 3 shows the accessory in a closed configuration.

Figures 4 to 9 illustrate a procedure which, in place of the knot, involves the use of a lace lock (BL) to lock the lace (L). For example, the lace lock (BL) can be of the type described in PCT/IT2019/050027.

5 It is understood that different systems for fastening the present invention to the laces can be used even without the use of Velcro strips, for example by using press-studs.

In accordance with a further embodiment of the invention, as shown in Fig. 10 and Fig.11, the containment part (1A) of
10 the body (1) consists of the internal surface of the body itself which forms the pocket (1T) to collect the excess of laces. In this case, the anchoring part (1B) of the body (1) consists of two holes (F) formed on the part (1A) and specular to each other, between which there is a slot (1S)
15 which constitutes an access to the pocket (1T). Said holes (S) allow the anchoring of the body (1) to the shoelace through the passage of the shoelace in the holes themselves and subsequent closure through the creation of a knot, or through the aid of alternative locking systems, such as a
20 lace lock as previously mentioned. Figures 12 to 17 illustrate a possible way of using the accessory represented in Fig.10 and Fig.11. Also in this case, the internal pocket (1T) is used to receive a lace lock (BL) and the excess of the lace, i.e. the parts of the lace protruding from the
25 lace lock.

In general, an accessory for lace-up shoes in accordance with the present invention is made of a relatively soft material, preferably a textile material such as fabric for example, to allow the excess of the laces to be inserted
30 more easily into the pocket (1T).

Therefore, in accordance with the present invention, an accessory for footwear provided with a lace closure system, comprises a body (1) with a containment part (1A) and an anchoring part (1B), wherein in the containment part (1A) a
35 pocket (1T) of predetermined width is formed, wherein the

anchoring part (1B) is shaped to be anchored to the shoe, and wherein said anchoring part is provided with anchoring means for its anchoring to the lace, such that said body (1) can be anchored to the shoe by means of the lace only.

5 According to a construction method described above, said anchoring means consist of said second part (1B) which is an extension of the first part (1A) and can be folded over itself and around the lace.

10 In addition, said first part (1A) and second part (1B) can have a substantially trapezoidal shape and be joined to each other at the major bases.

As described above, said second part (1B) can be provided with joining means adapted for reversibly joining free portions of said first and second part to each other.

15 According to a further embodiment, the anchoring means can consist of a passage - for example formed by two through holes (S) - through which two different branches of the lace pass and which are formed on the sides of the pocket (1T).

20 The pocket (1T) is of a size suitable to contain free portions of the lace and/or a lace lock.

In the examples shown in figures 1, 9 and 18 on the external side of the first part (1A) there is a logo ("NBS").

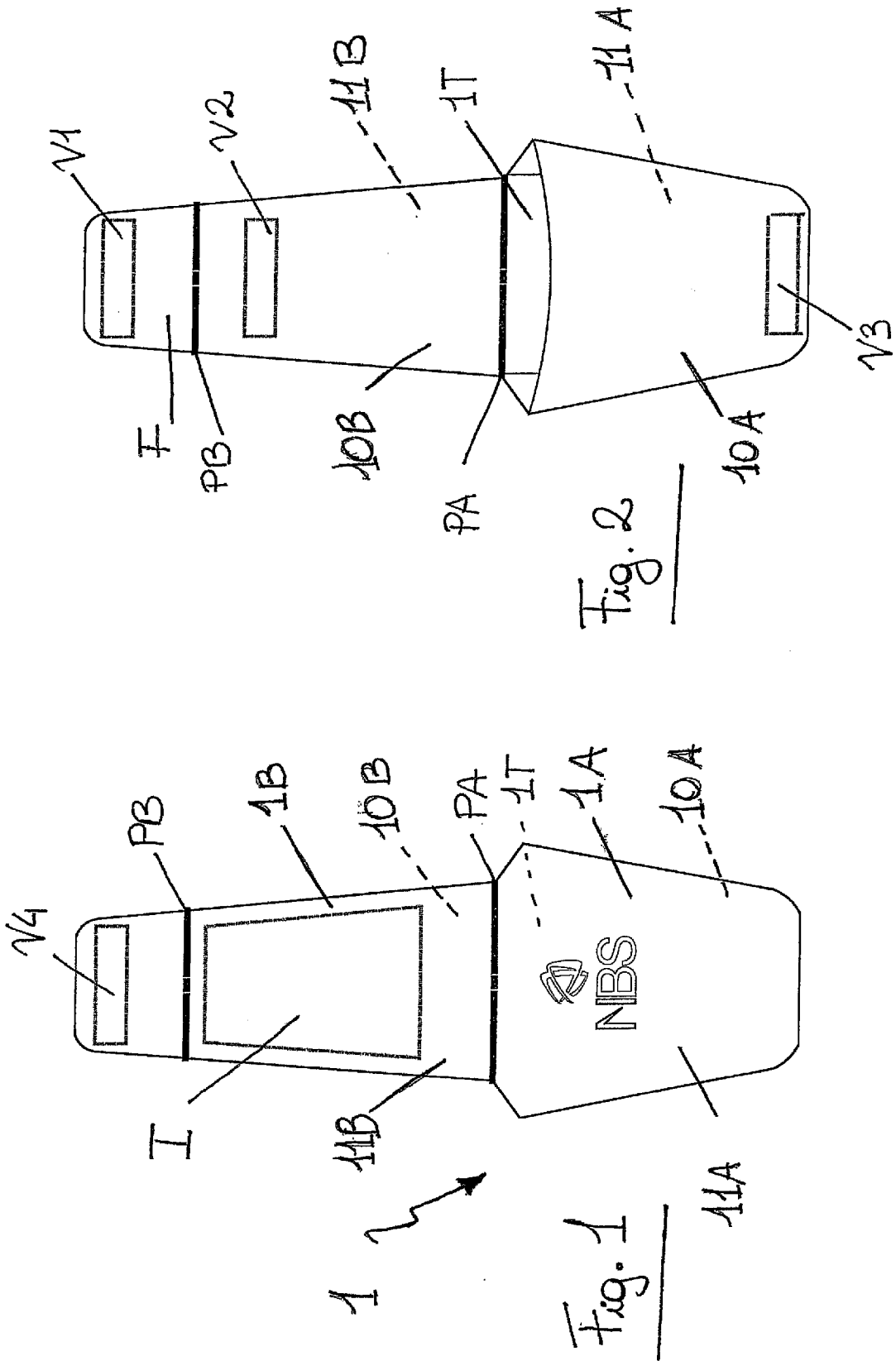
25 It is understood that the invention is not limited to what is described and illustrated, but can be widely modified as regards the individual details, the nature and the disposition of the materials used without thereby departing from the scope of protection as defined by the attached claims.

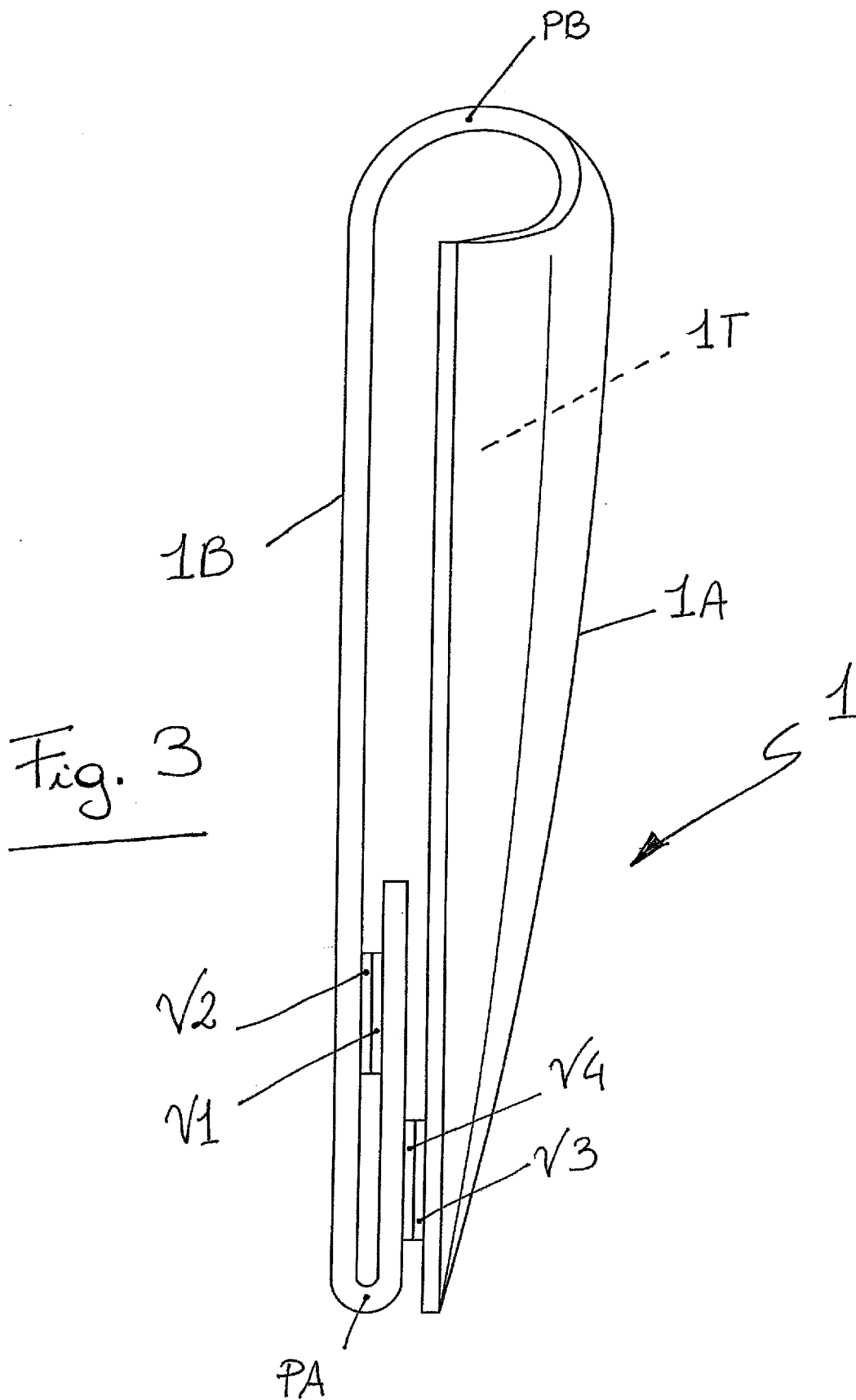
CLAIMS

1. Accessory for lace-up shoes, comprising a body (1) with a containing part (1A) and an anchoring part (1B), wherein a pocket (1T) of predetermined width is formed in the containing part (1A) and wherein the anchoring part (1B) is adapted to be anchored to a lace-up shoe, characterized in that said anchoring part (1B) is provided with stable but reversible anchoring means to the lace (L) of the shoe, such that the body (1) can be anchored to the lace-up shoe by means of the lace only.
2. Accessory for lace-up shoes according to claim 1 characterized in that said anchoring means are constituted by the anchoring part (1B) which is an extension of the containing part (1A) and is foldable on itself and around the lace.
3. Accessory for lace-up shoes according to claim 2 characterized in that said containing part (1A) and said anchoring part (1B) have a substantially trapezoidal shape and are joined to one another at their larger bases.
4. Accessory for lace-up shoes according to claim 2 or 3 characterized in that said anchoring part (1B) is provided with fastening means adapted to reversibly fasten free portions of said first and second parts to each other.
5. Accessory for lace-up shoes according to claim 4 characterized in that said fastening means are of the Velcro type.
6. Accessory for lace-up shoes according to claim 1 characterized in that said anchoring means are constituted by a passage (S) through which two different branches of the lace pass and which are formed on the sides of said pocket (1T).
7. Accessory for lace-up shoes according to any of the previous claims characterized in that said pocket (1T) is adapted to contain free portions of the lace and/or a

lace locking device.

8. Accessory for lace-up shoes according to any of the previous claims characterized in that said anchoring part (1B) is provided with a stiffening surface (I).





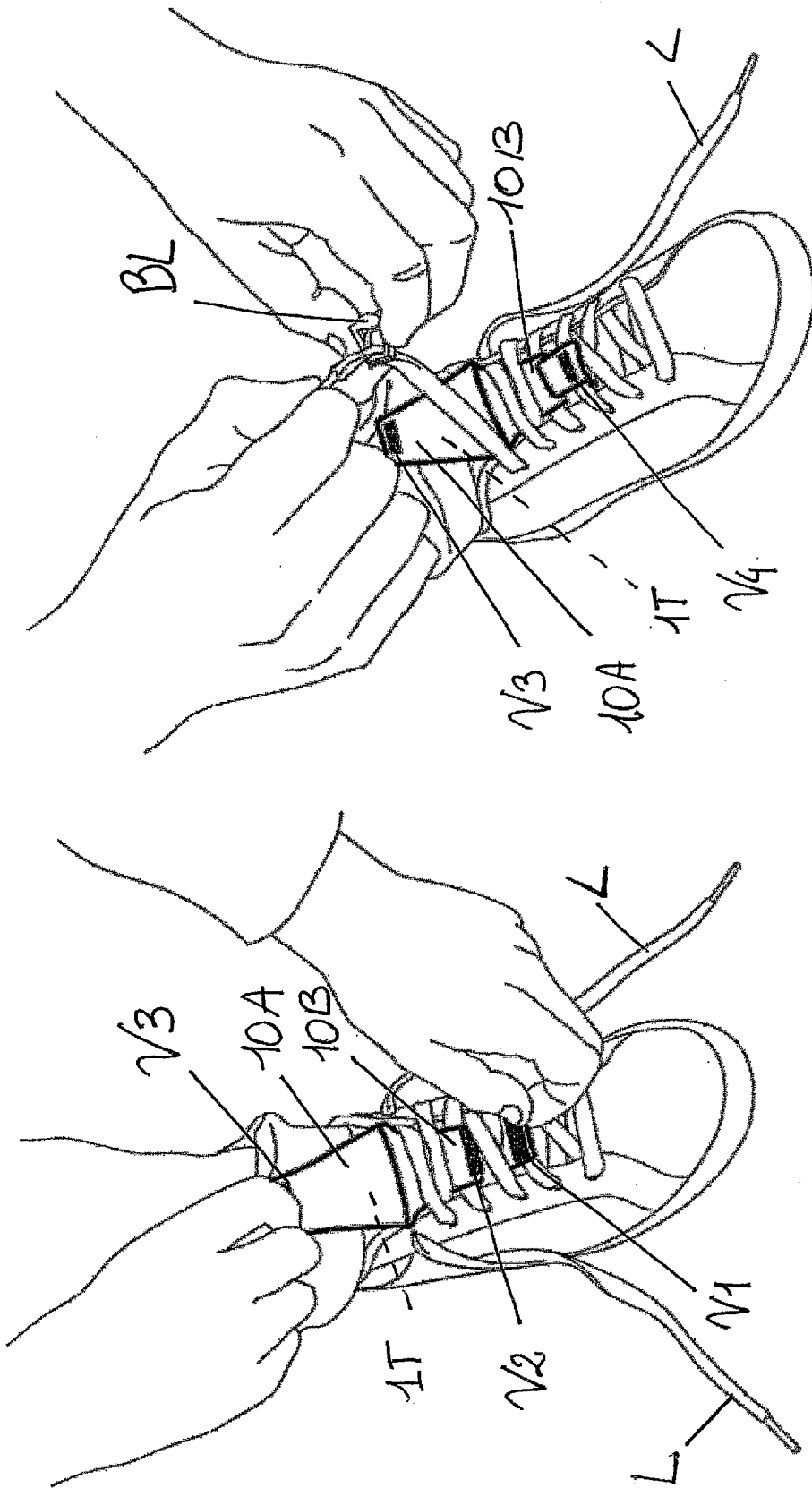
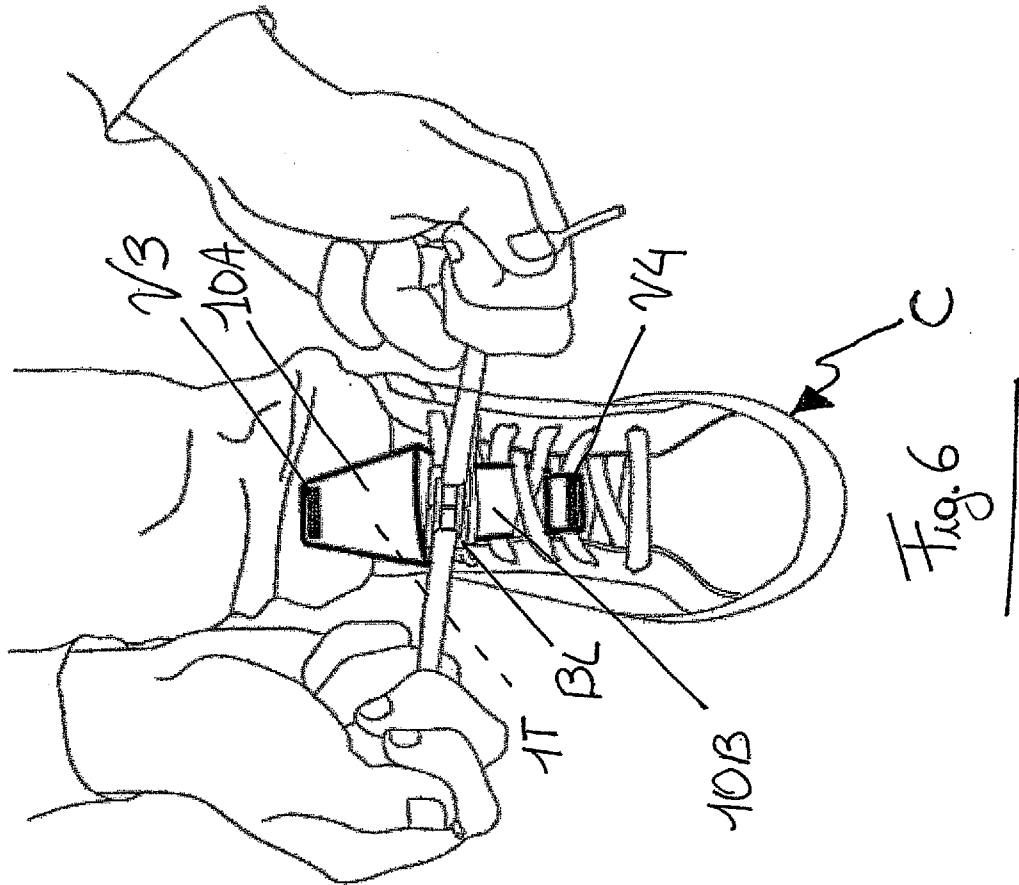
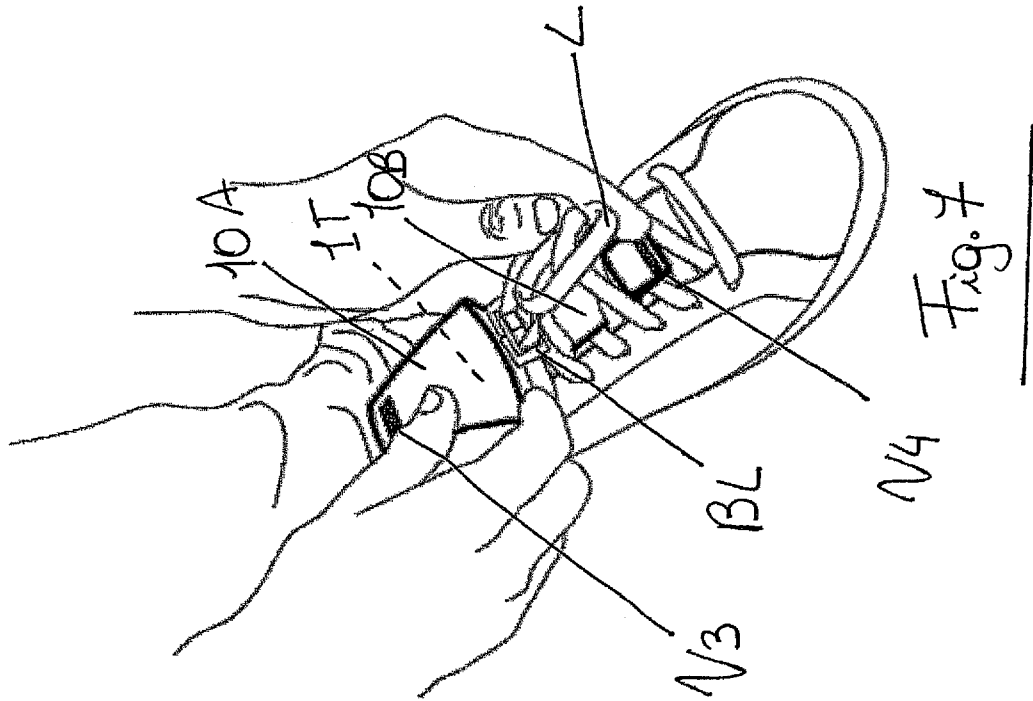


Fig. 4

Fig. 5



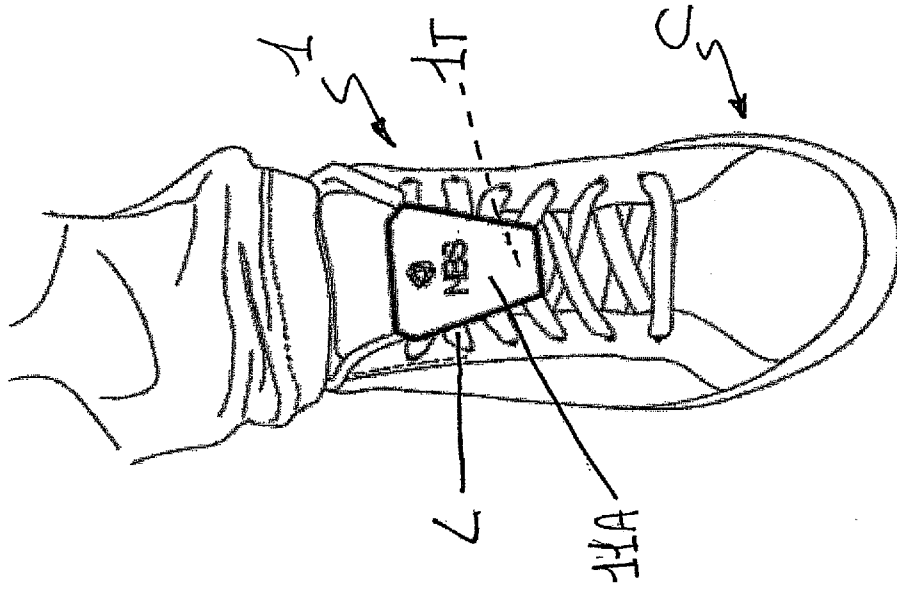


Fig. 9

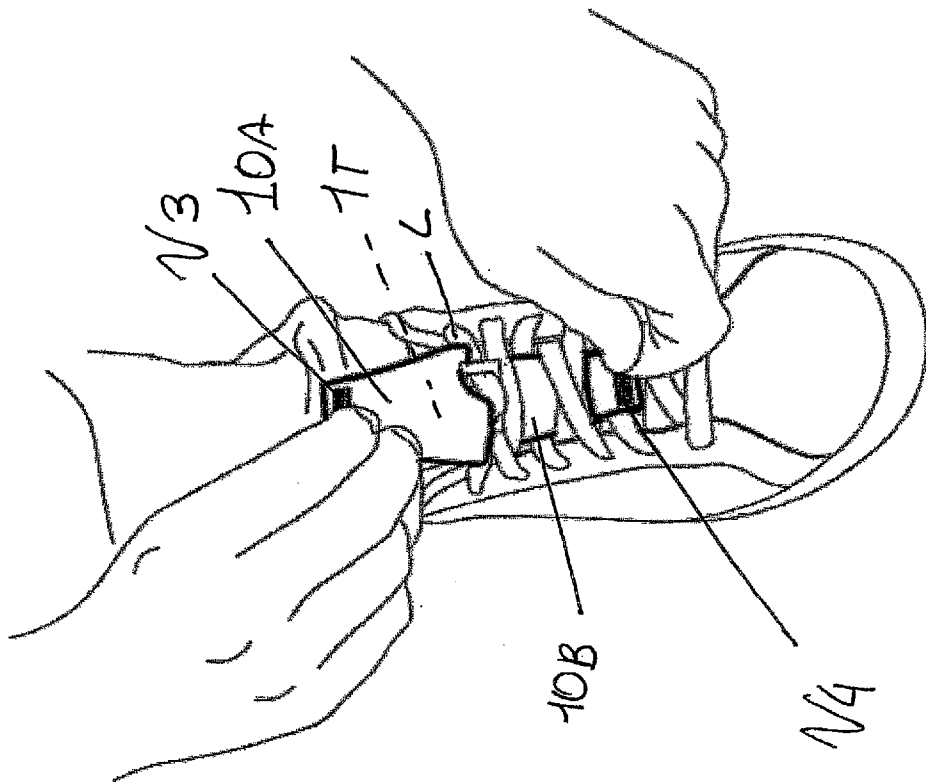


Fig. 8

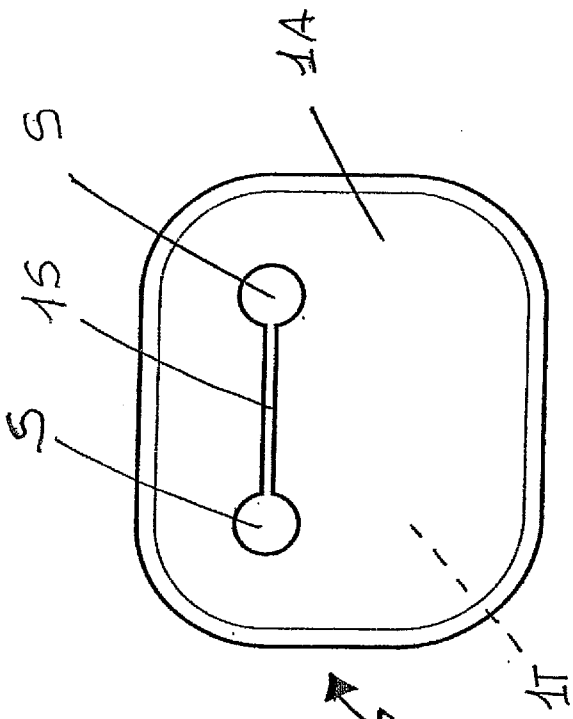


Fig. 10

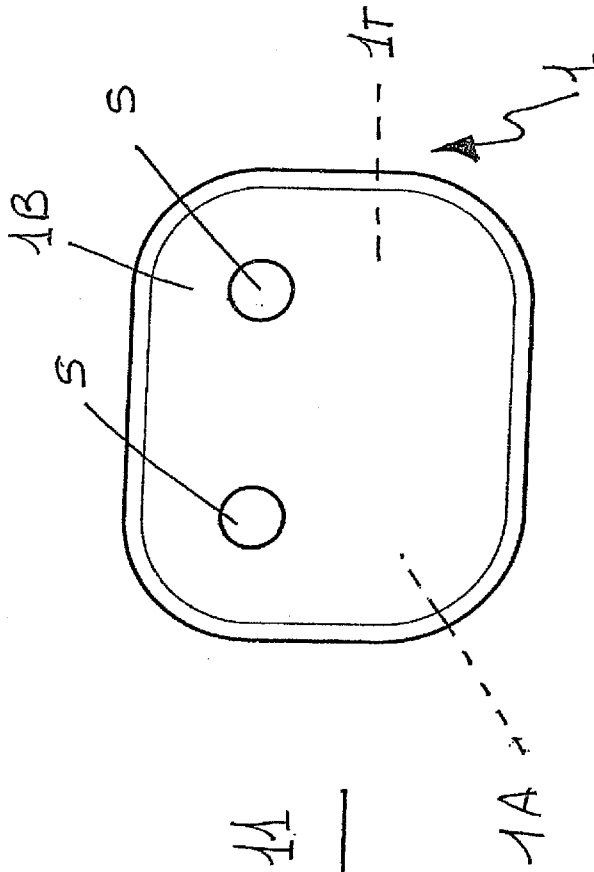
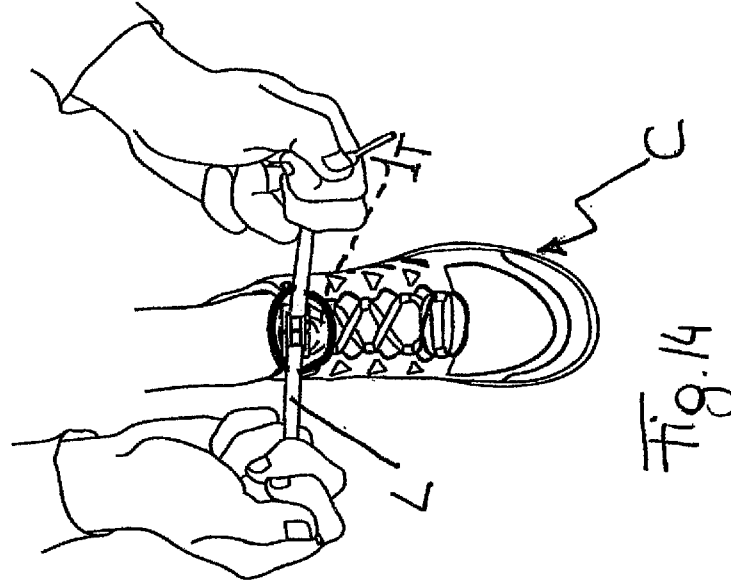
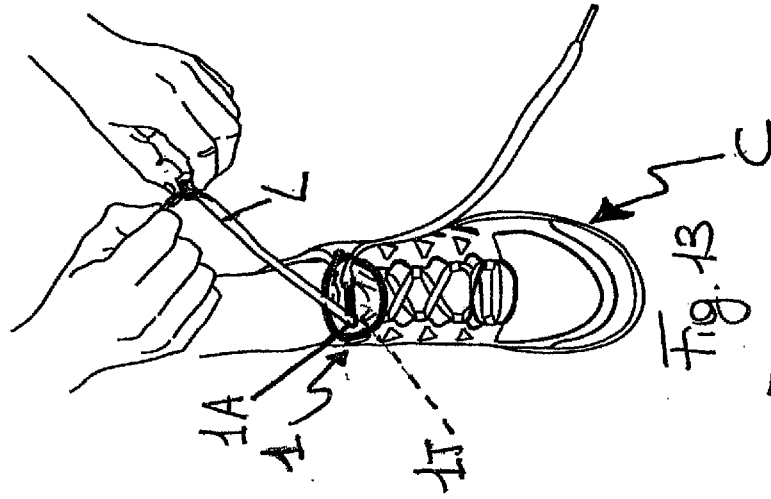
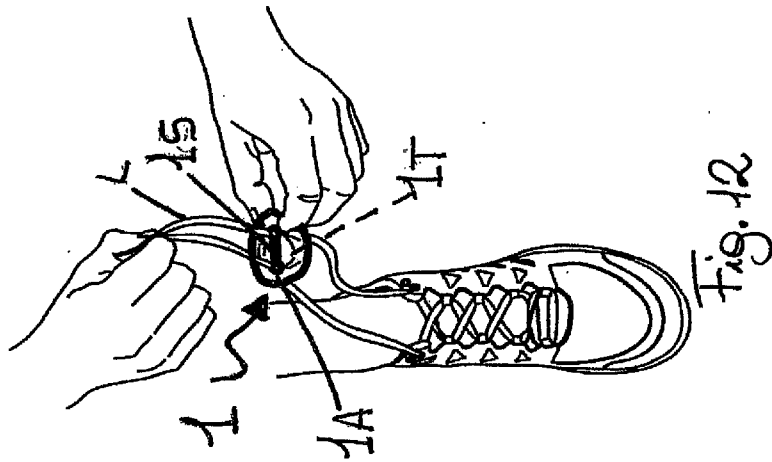


Fig. 11



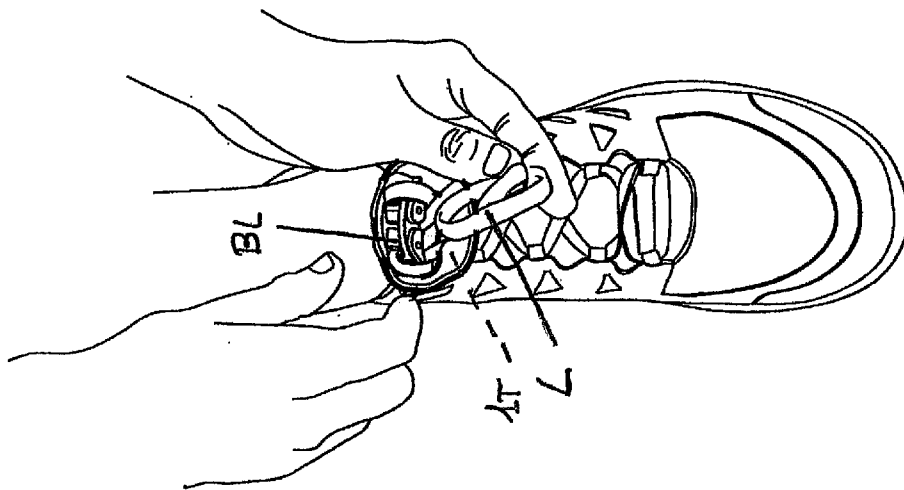


Fig. 15

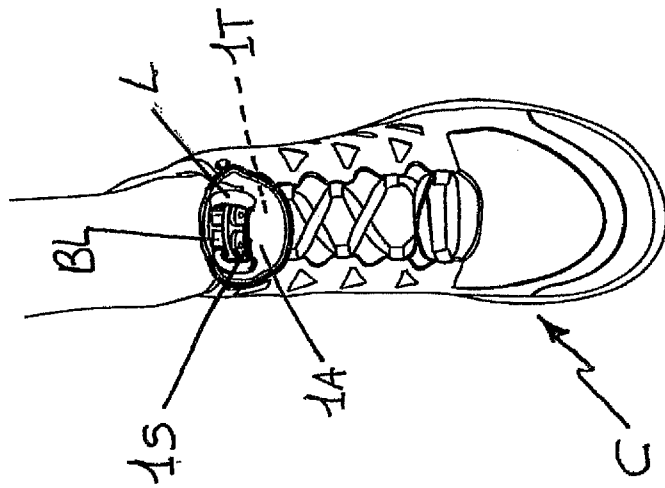


Fig. 16

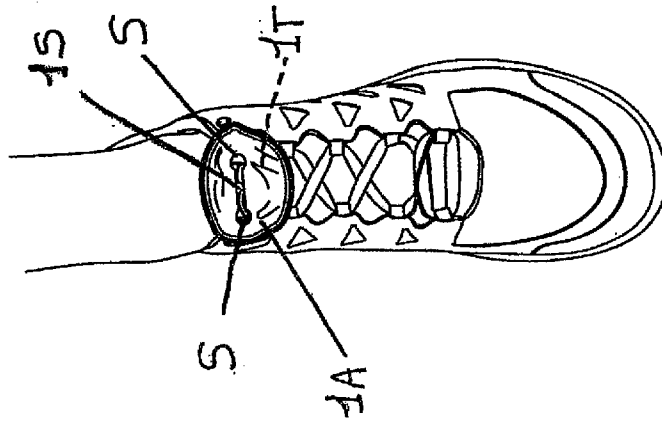


Fig. 17

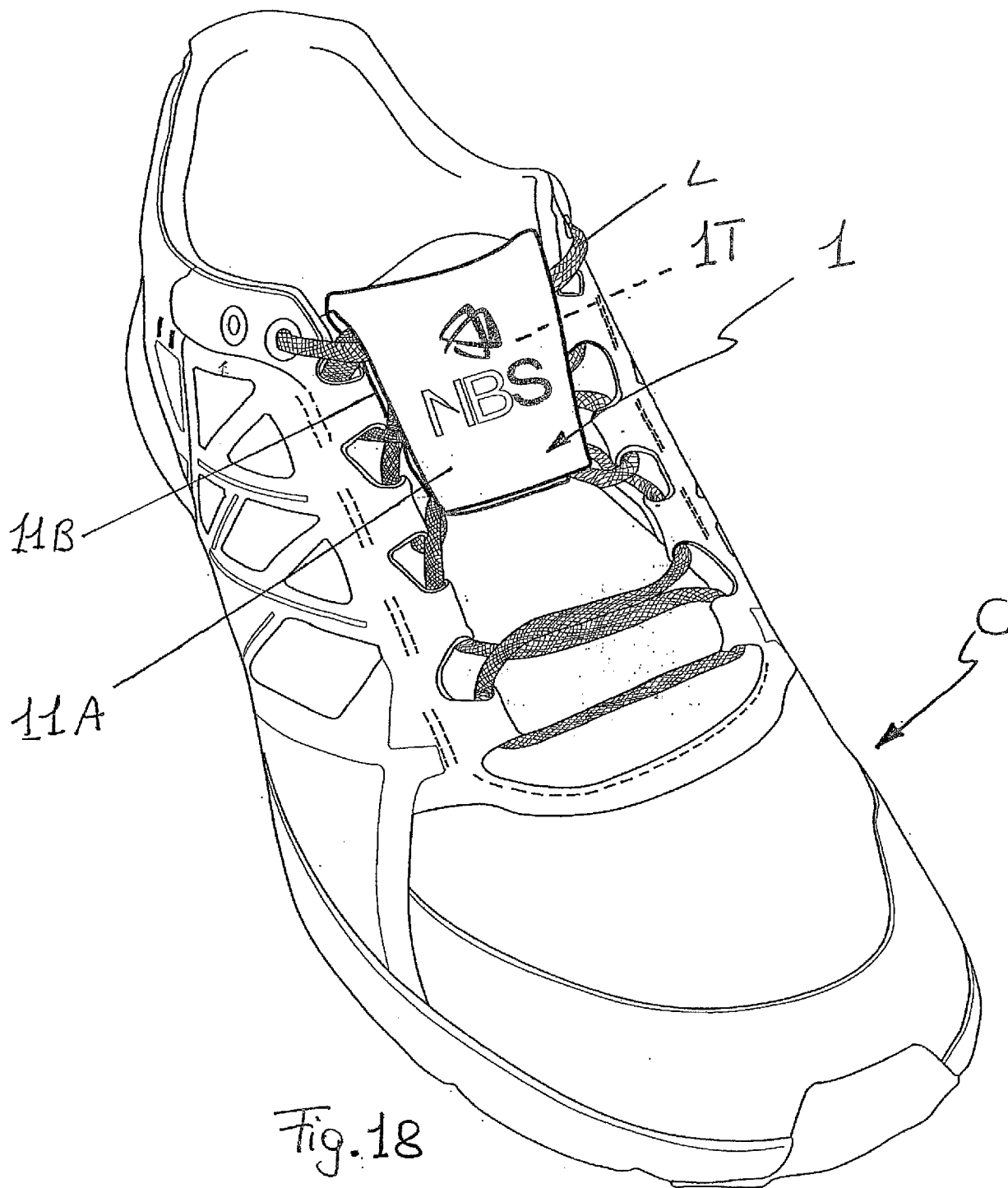


Fig. 18

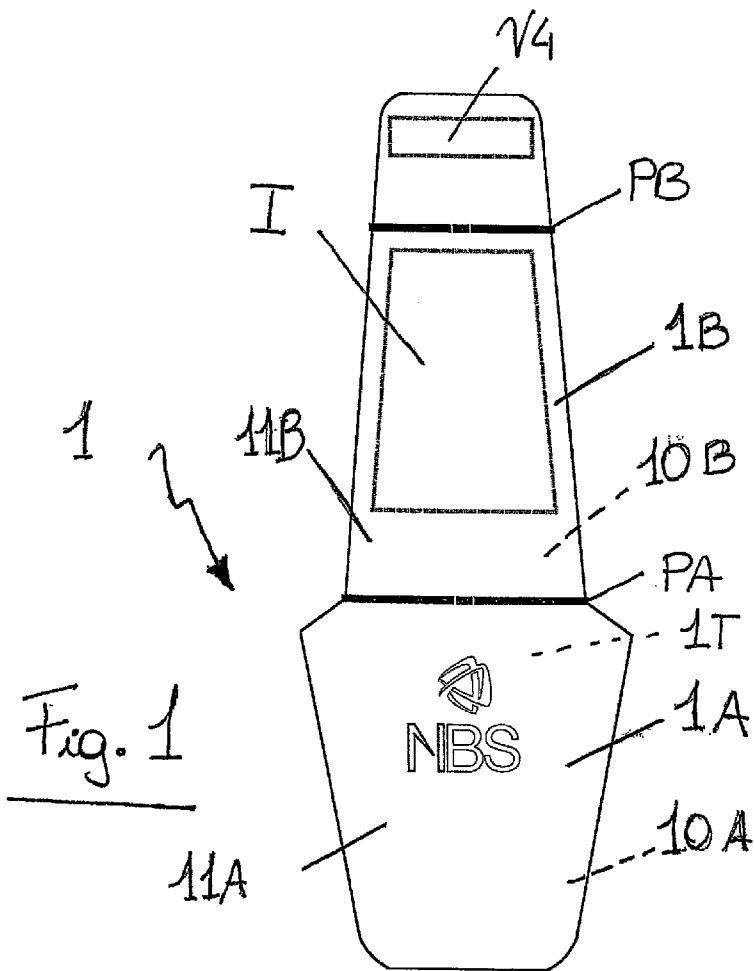


Fig. 1