



US00D404128S

United States Patent [19] Huebner

[11] **Patent Number: Des. 404,128**
[45] **Date of Patent: **Jan. 12, 1999**

[54] **SUTURE WASHER** 5,741,255 4/1998 Krag 606/61

[76] Inventor: **Randall J. Huebner**, 18650 SW. Hart Rd., Aloha, Oreg. 97005

[**] Term: **14 Years**

[21] Appl. No.: **63,695**

[22] Filed: **Dec. 13, 1996**

[51] **LOC (6) Cl.** **24-04**

[52] **U.S. Cl.** **D24/145**

[58] **Field of Search** D24/145, 146, D24/147, 155; 606/61, 60, 72, 73, 59, 86, 75, 219, 96, 105, 115, 216

[56] **References Cited**

U.S. PATENT DOCUMENTS

D. 336,518	6/1993	Taylor	D24/143
D. 364,462	11/1995	Michelson	D24/145
D. 368,777	4/1996	Goble et al.	..	
D. 374,286	10/1996	Goble et al.	..	
D. 374,287	10/1996	Goble et al.	..	
D. 374,482	10/1996	Goble et al.	..	
3,997,138	12/1976	Crock et al.	..	
4,988,351	1/1991	Paulos et al.	..	
5,702,447	12/1997	Walch et al.	606/72 X

OTHER PUBLICATIONS

“Soft Tissue Anchoring Implants and Concept Soft Tissue Anchoring Set” catalog pages describing products made by Concept, pp. 100–101.

Primary Examiner—Pamela Burgess
Attorney, Agent, or Firm—Kolisch, Hartwell, Dickinson, McCormack & Heuser

[57] **CLAIM**

The ornamental design for a suture washer, as shown and described.

DESCRIPTION

FIG. 1 is a top perspective view of a suture washer showing my new design, the broken lines are for illustrative purpose only and form no part of the claimed design; FIG. 2 is a side view of the suture washer, the opposite side being a mirror image thereof; FIG. 3 is a left view thereof; FIG. 4 is a bottom view thereof; FIG. 5 is a right view thereof; and, FIG. 6 is a top view thereof.

1 Claim, 2 Drawing Sheets

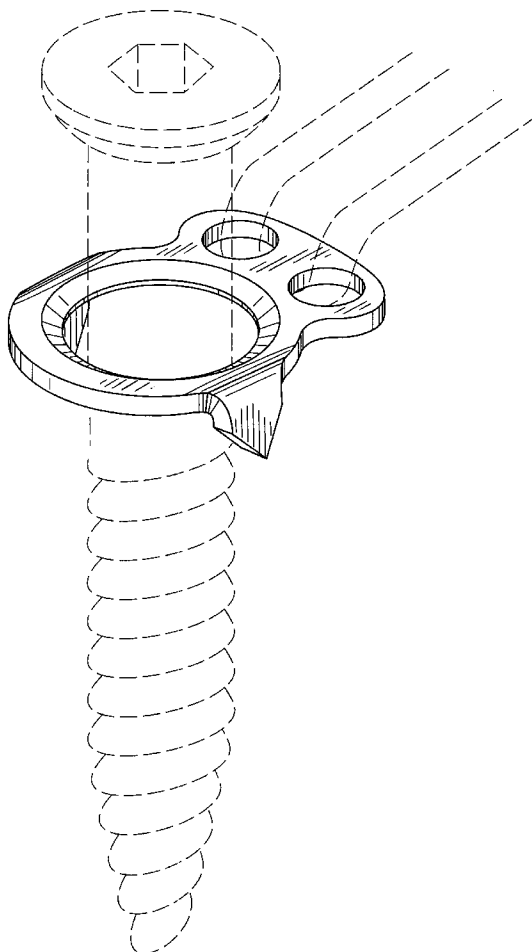


FIG. 1

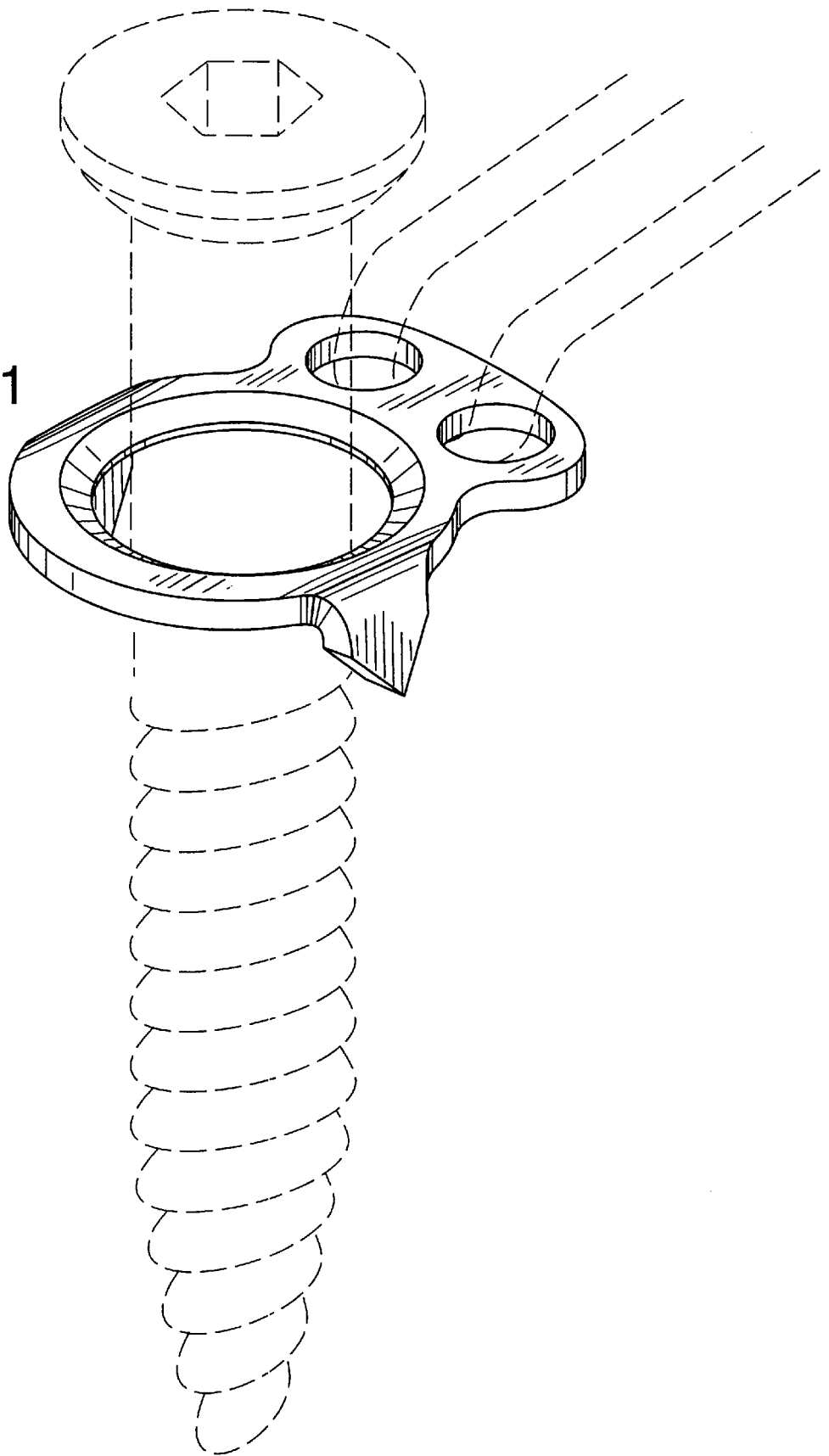


FIG. 2

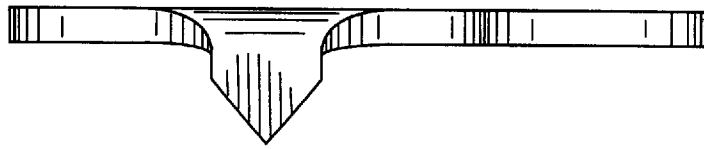


FIG. 3



FIG. 4

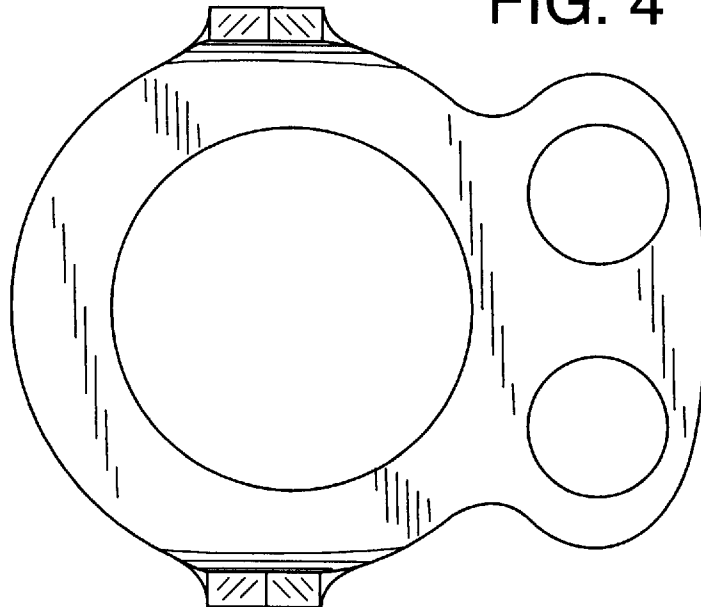


FIG. 5

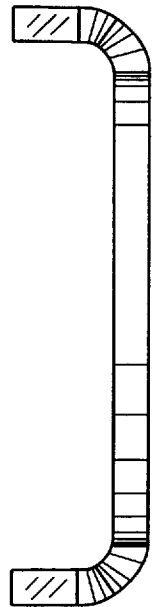


FIG. 6

