



US00D432867S

**United States Patent** [19]  
**Oravez**

[11] **Patent Number: Des. 432,867**  
[45] **Date of Patent: \*\* Oct. 31, 2000**

[54] **FOOD PACKAGE**

5,375,701 12/1994 Hustad et al. .... 206/461

[75] Inventor: **Thomas P. Oravez**, Chicago, Ill.

*Primary Examiner*—Antoine Duval Davis  
*Attorney, Agent, or Firm*—Fitch, Even, Tabin & Flannery

[73] Assignee: **Kraft Foods, Inc.**, Northfield, Ill.

[\*\*] Term: **14 Years**

[57] **CLAIM**

The ornamental design for a food package, as shown and described.

[21] Appl. No.: **29/119,101**

[22] Filed: **Feb. 24, 2000**

**DESCRIPTION**

[51] **LOC (7) Cl.** ..... **07-01**

FIG. 1 is a perspective view of a food package according to the present invention;

[52] **U.S. Cl.** ..... **D7/553.4**

FIG. 2 is a rear elevational view thereof;

[58] **Field of Search** ..... D7/392.1, 425-441,

FIG. 3 is a front elevational view thereof;

D7/553.1-553.4, 510, 511, 316, 317, 321,

FIG. 4 is a top plan view thereof;

322, 703, 629, 396.2, 397, 398; D9/523-525,

FIG. 5 is a bottom plan view thereof;

529, 434-454, 425, 341; 215/228, 229,

FIG. 6 is an elevational view from one side thereof; and,

305; 220/212.5, 318, 378, 380

FIG. 7 is an elevational view from the other side thereof.

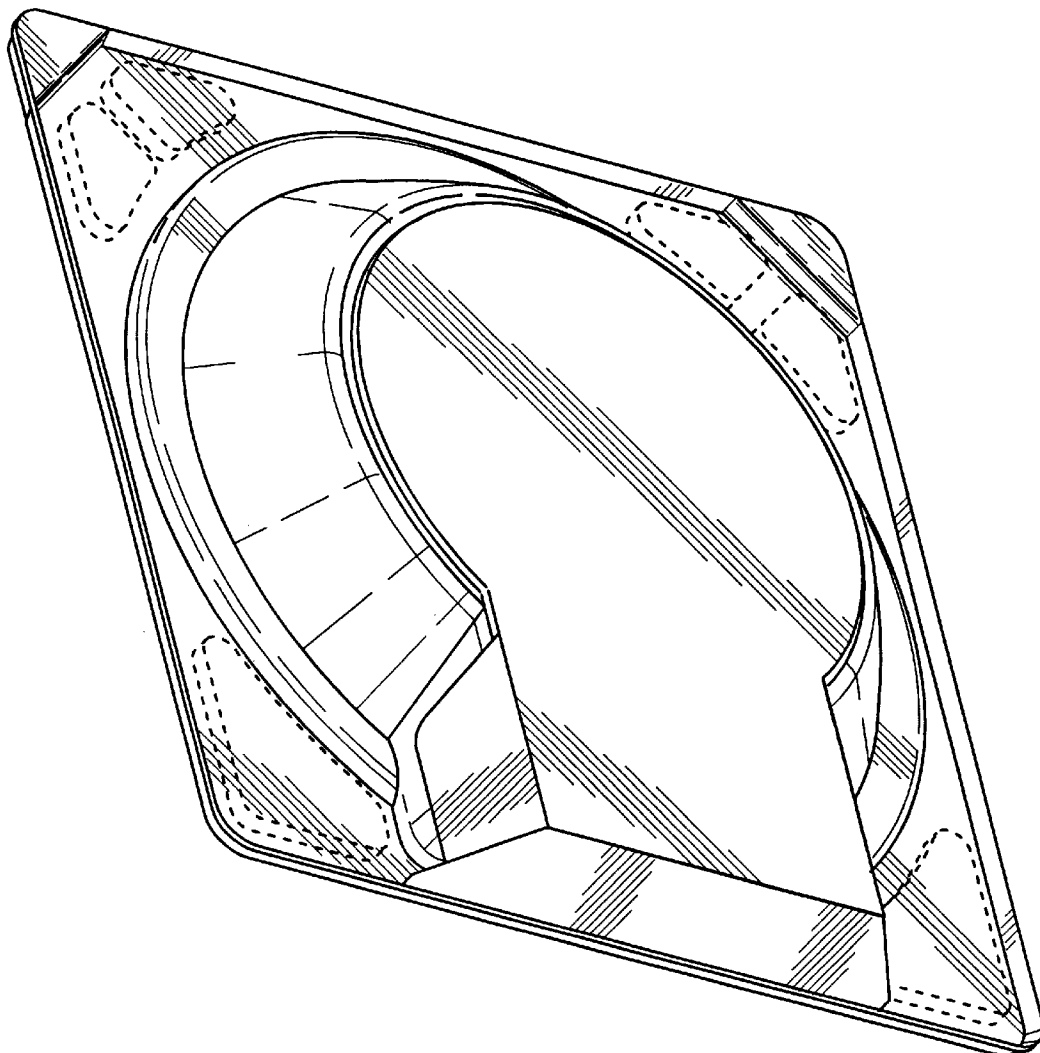
The broken line showing is for illustrative purposes only and forms no part of the claimed design.

[56] **References Cited**

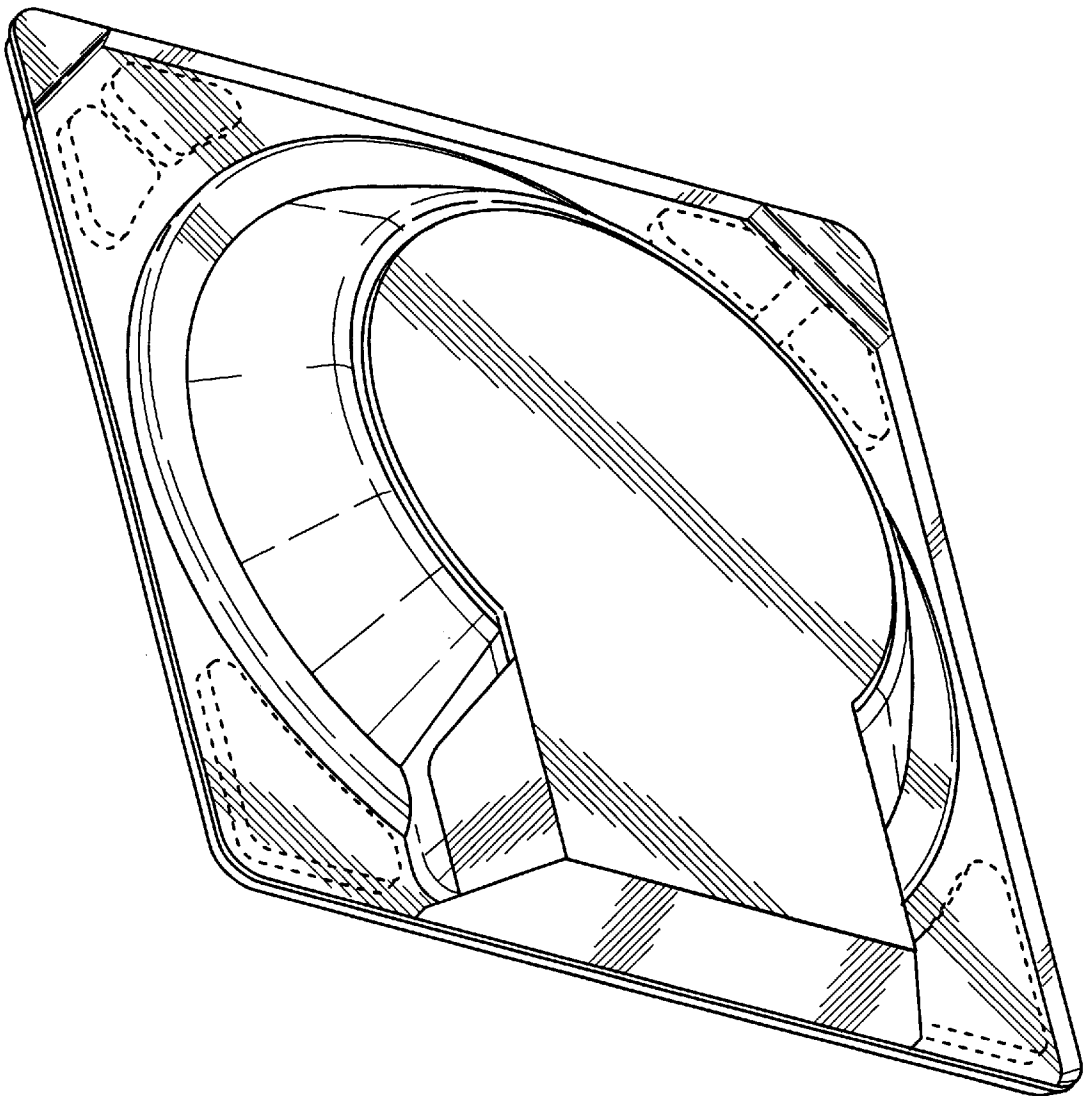
**U.S. PATENT DOCUMENTS**

D. 354,655 1/1995 Daenen et al. .... D9/434

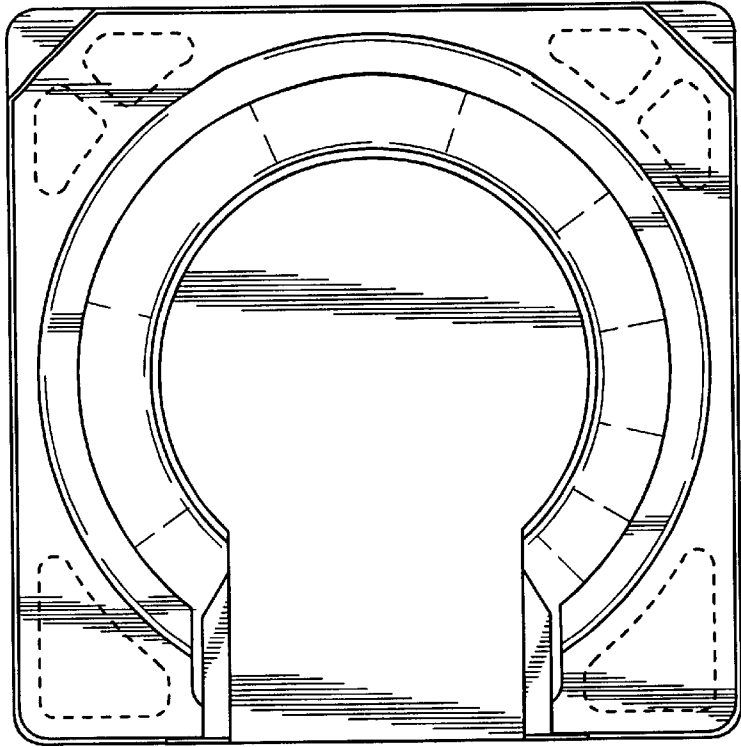
**1 Claim, 3 Drawing Sheets**



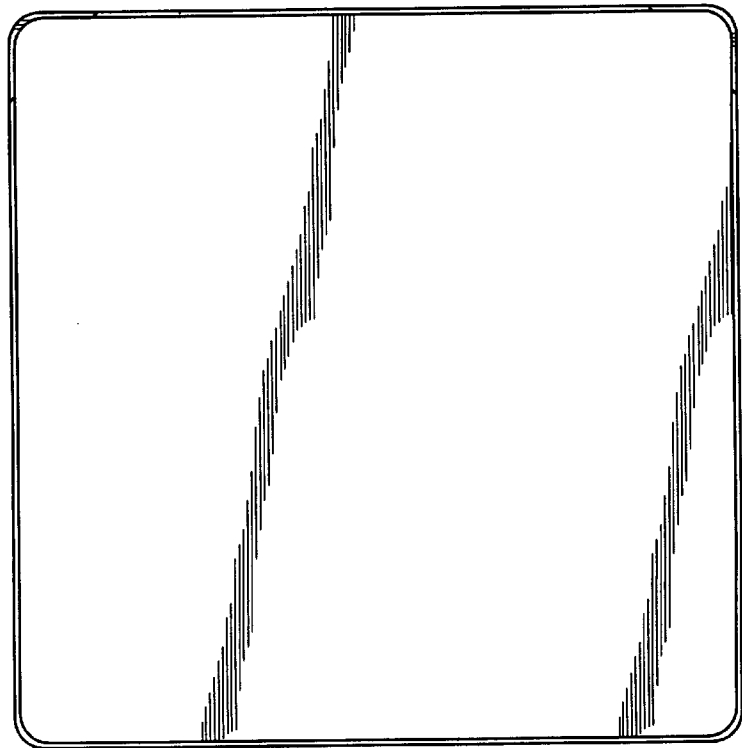
*Fig. 1*



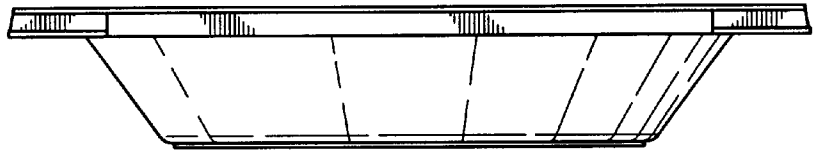
*Fig. 2*



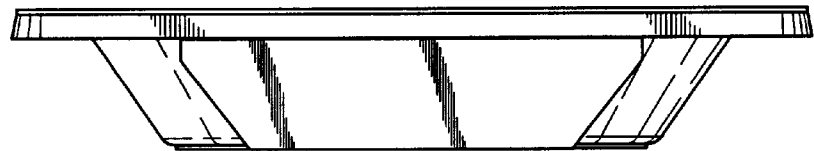
*Fig. 3*



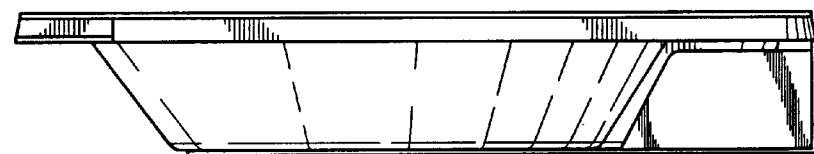
*Fig. 4*



*Fig. 5*



*Fig. 6*



*Fig. 7*

