



US00D653067S

(12) **United States Design Patent**  
**Cittadino et al.**

(10) **Patent No.:** **US D653,067 S**

(45) **Date of Patent:** **\*\* Jan. 31, 2012**

(54) **CORNER SHOWER CADDY FOR POLE**

(75) Inventors: **Kyle Cittadino**, Wilmington, DE (US);  
**Kaveh Didehvar**, Hockessin, DE (US);  
**Joseph Vaccaro**, West Chester, PA (US)

(73) Assignee: **Zenith Products Corporation**, New  
Castle, DE (US)

(\*\*) Term: **14 Years**

(21) Appl. No.: **29/390,011**

(22) Filed: **Apr. 19, 2011**

(51) **LOC (9) Cl.** ..... **06-04**

(52) **U.S. Cl.** ..... **D6/562; D6/566**

(58) **Field of Classification Search** ..... D6/524,  
D6/562, 546-550, 527, 532-53, 535, 574,  
D6/566, 433; D8/300, 315-320; D23/271,  
D23/303, 304; 211/13.1, 71.01, 86.01, 87.01,  
211/88.01, 88.04, 90.01, 123, 126.1, 133.1,  
211/134; 248/220.1, 235, 251, 309.1

See application file for complete search history.

(56) **References Cited**

**U.S. PATENT DOCUMENTS**

3,938,872	A	2/1976	Hagerman	
4,494,661	A	1/1985	Krusche	
4,671,415	A	6/1987	Manhart	
D292,764	S	11/1987	Kester	
4,811,996	A	3/1989	Hansson	
D323,439	S *	1/1992	Emery	D6/562
5,294,008	A	3/1994	Dunaway	
5,390,800	A	2/1995	Tucker	
D376,231	S	12/1996	McLain	
5,601,198	A	2/1997	Reed	
D395,362	S	6/1998	Fink et al.	
5,791,501	A	8/1998	Baldwin, Jr.	
D431,109	S	9/2000	Lacy et al.	
D463,123	S	9/2002	Hradisky	
D469,610	S	2/2003	Corp et al.	
D474,603	S	5/2003	Berenguer	
D485,092	S	1/2004	Rosen	

6,726,038	B2	4/2004	Ko	
D508,322	S	8/2005	Horst	
D509,361	S *	9/2005	Suero, Jr.	D6/562
D517,806	S	3/2006	Charuwongkhachton	
7,186,050	B2	3/2007	Dean et al.	
D542,058	S	5/2007	Clucas	
D542,536	S	5/2007	Gialanella	
D553,361	S	10/2007	Splain et al.	
D554,416	S *	11/2007	Thompson et al.	D6/562
D556,476	S	12/2007	Butler et al.	
D559,023	S	1/2008	Reichert	
D572,502	S *	7/2008	Yang et al.	D6/562
D572,516	S *	7/2008	Snider	D6/566
D572,940	S *	7/2008	Murray	D6/562
D580,194	S	11/2008	Lambert et al.	
7,459,636	B2	12/2008	Conrad	
D588,840	S	3/2009	Dretzka	
D614,888	S	5/2010	Sexton	
D616,202	S	5/2010	Whitlock et al.	

(Continued)

*Primary Examiner* — Brian N Vinson

(74) *Attorney, Agent, or Firm* — Panitch Schwarze Belisario  
& Nadel LLP

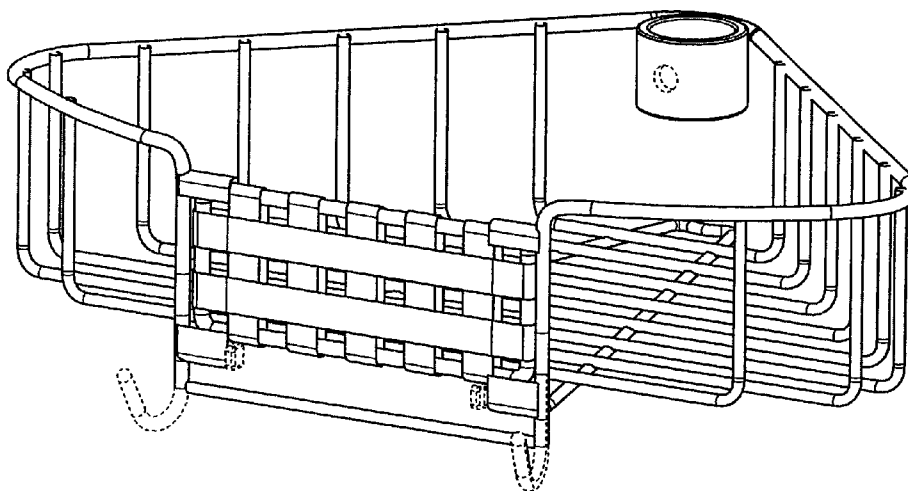
(57) **CLAIM**

The ornamental design for a corner shower caddy for pole, as shown and described.

**DESCRIPTION**

FIG. 1 is a front perspective view of a corner shower caddy for pole showing our new design;  
FIG. 2 is a front elevational view thereof;  
FIG. 3 is a left-side elevational view thereof, a right-side elevational view being a mirror image thereof;  
FIG. 4 is a top plan view thereof;  
FIG. 5 is a rear elevational view thereof;  
FIG. 6 is a bottom view thereof; and,  
FIG. 7 is a reduced front perspective view thereof, with a pole and two additional corner shower caddies shown in broken lines and in an assembled condition for illustrative purposes only and forming no part of the claimed design.

**1 Claim, 6 Drawing Sheets**



# US D653,067 S

Page 2

---

## U.S. PATENT DOCUMENTS

D620,293 S	*	7/2010	Guindi .....	D6/562	D637,000 S	5/2011	Goodman et al.
D624,754 S		10/2010	van Wijk et al.		2007/0284326 A1	12/2007	Baloun
D635,769 S		4/2011	Sosnovsky		2008/0203042 A1	8/2008	Felsenthal
D636,606 S		4/2011	Wang				

\* cited by examiner

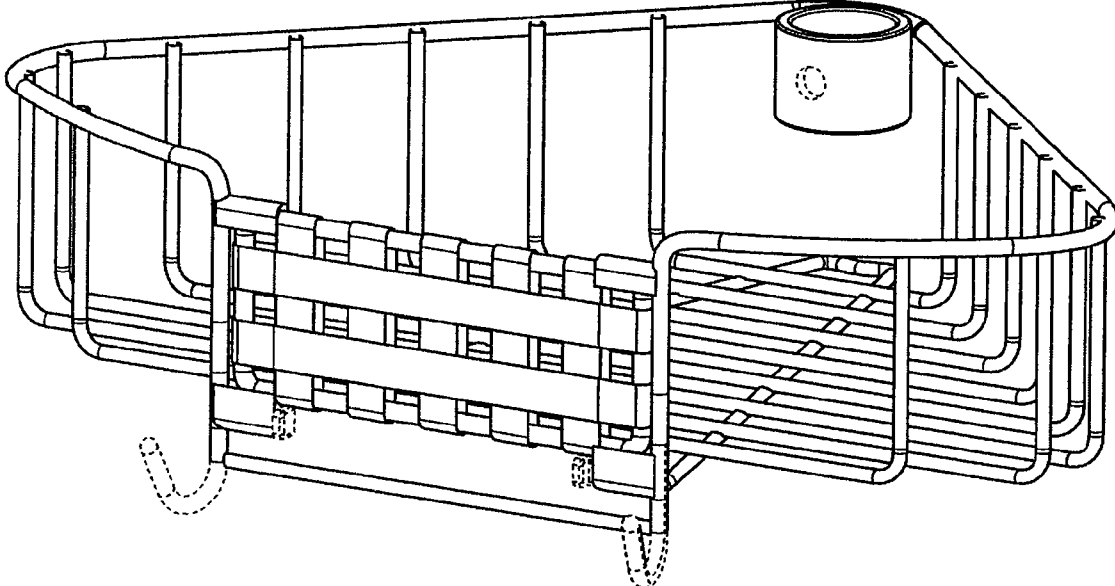


FIG. 1

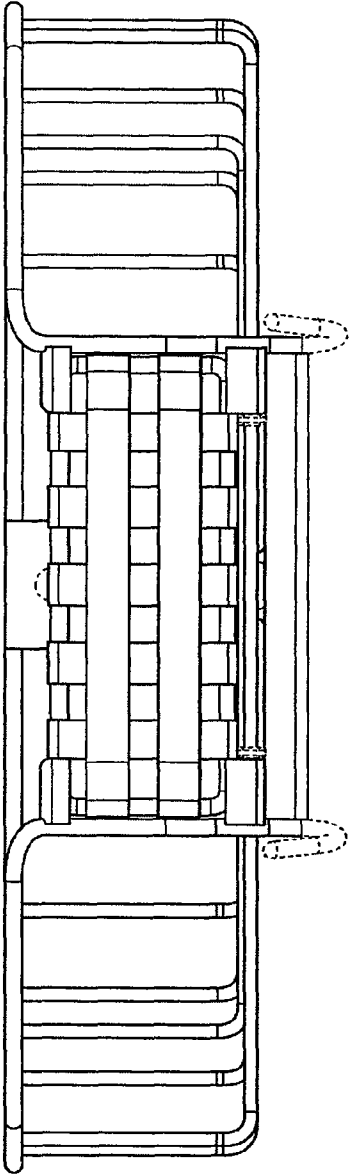


FIG. 2

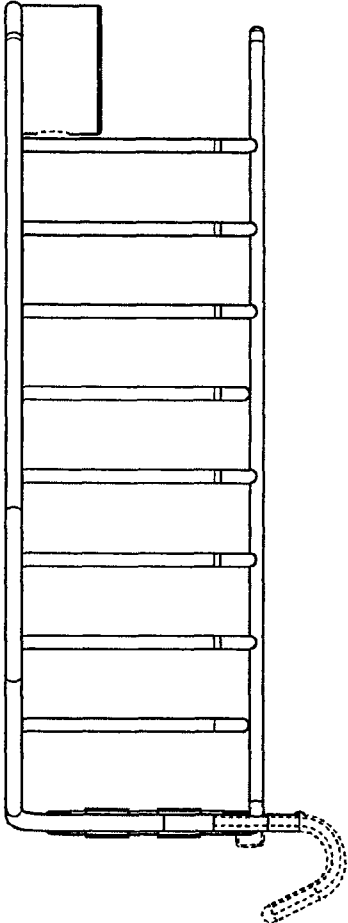


FIG. 3

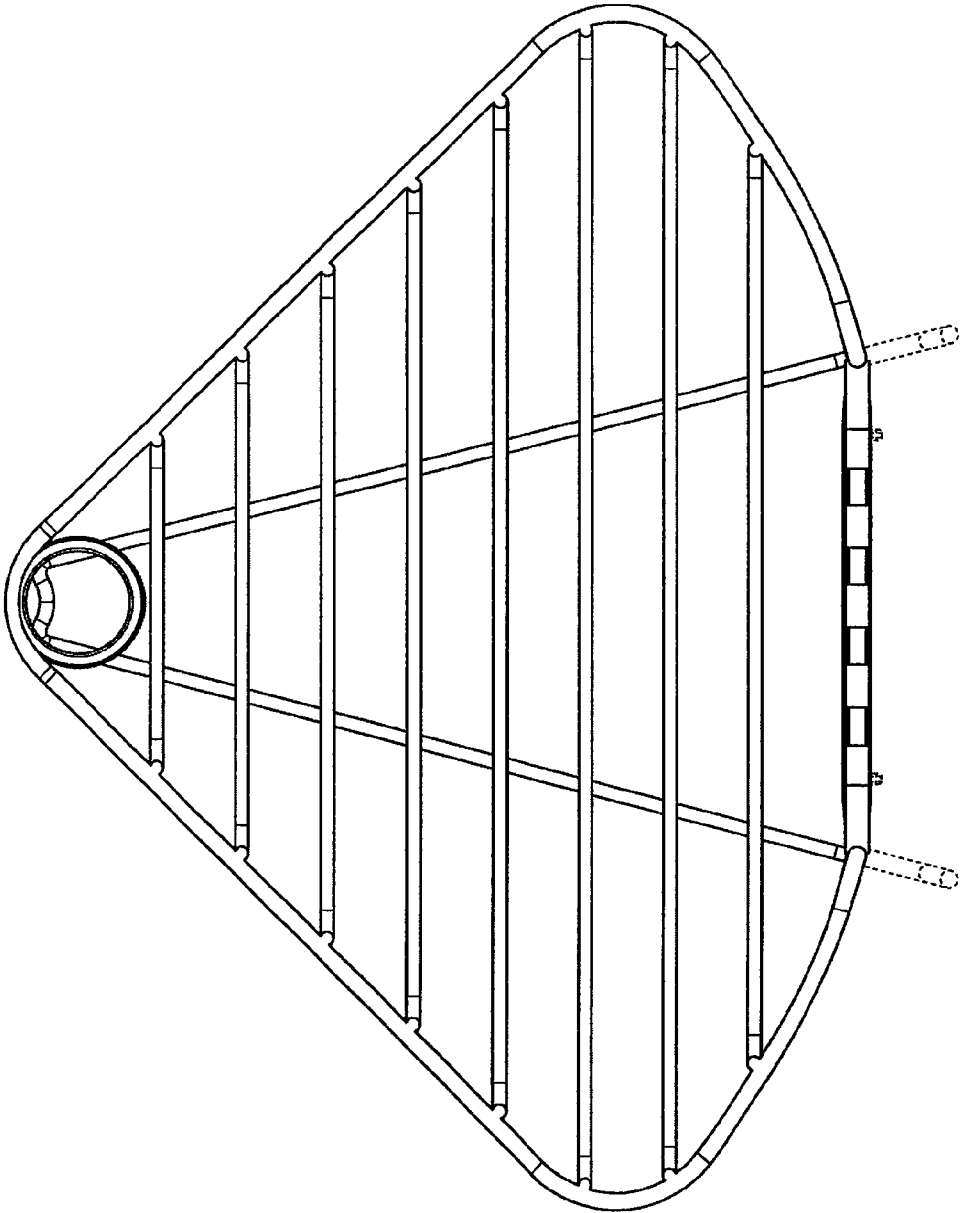


FIG. 4

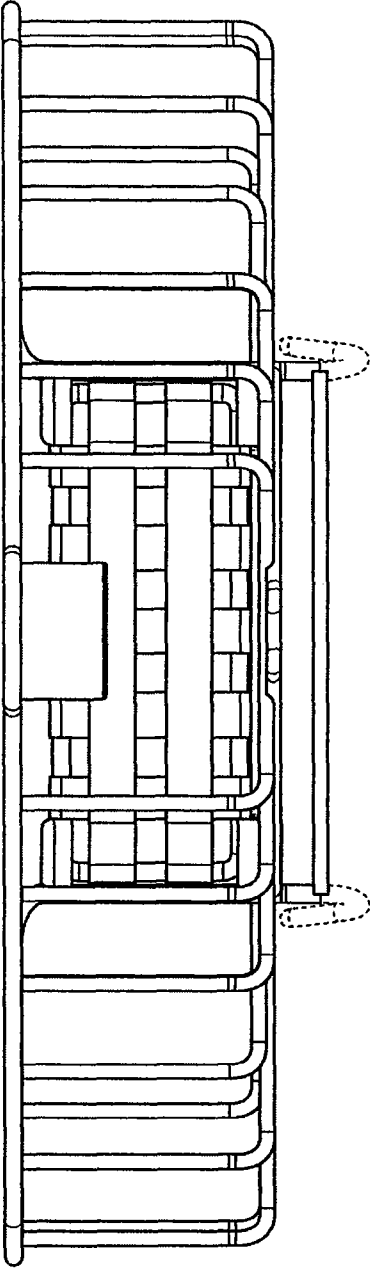


FIG. 5

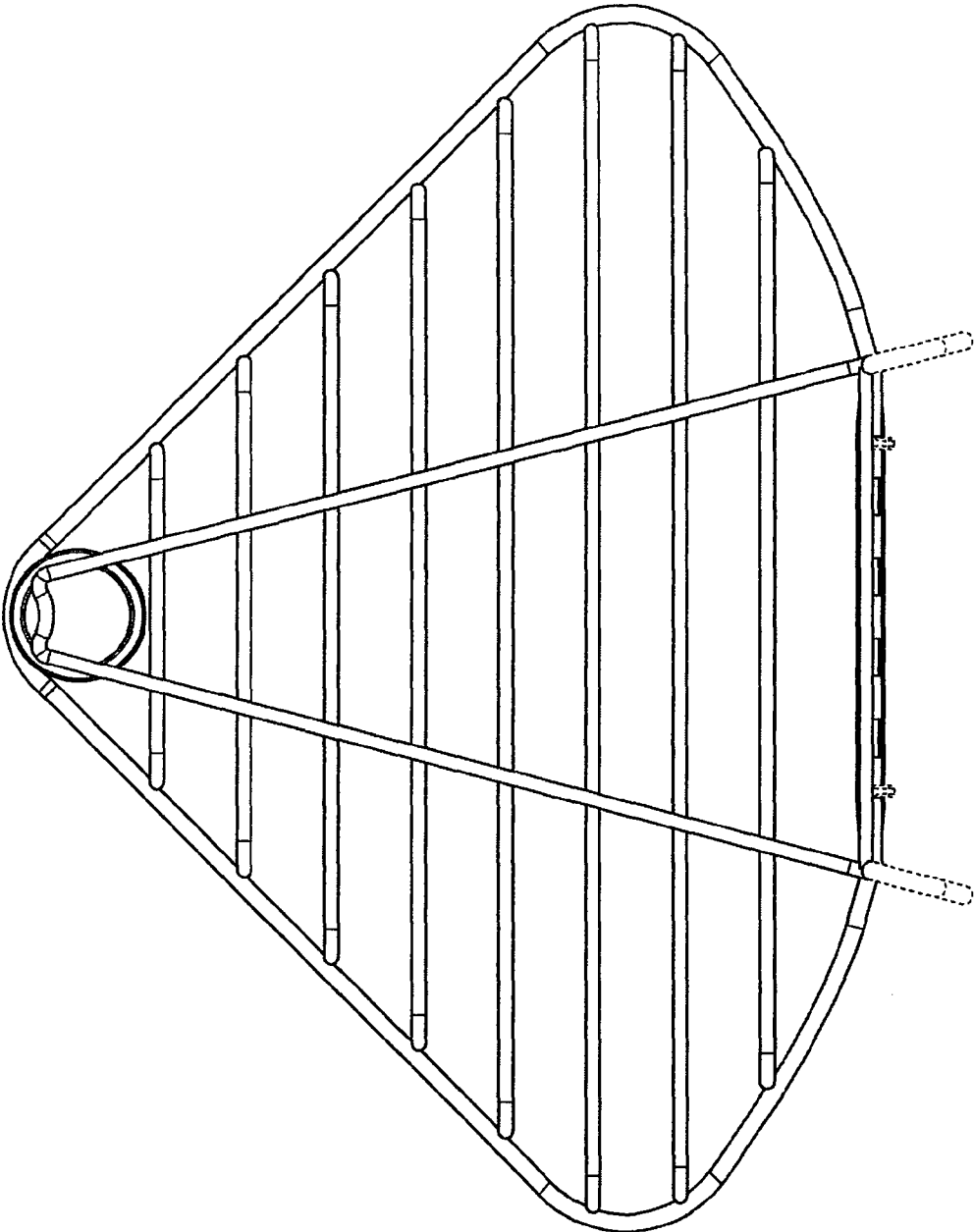


FIG. 6

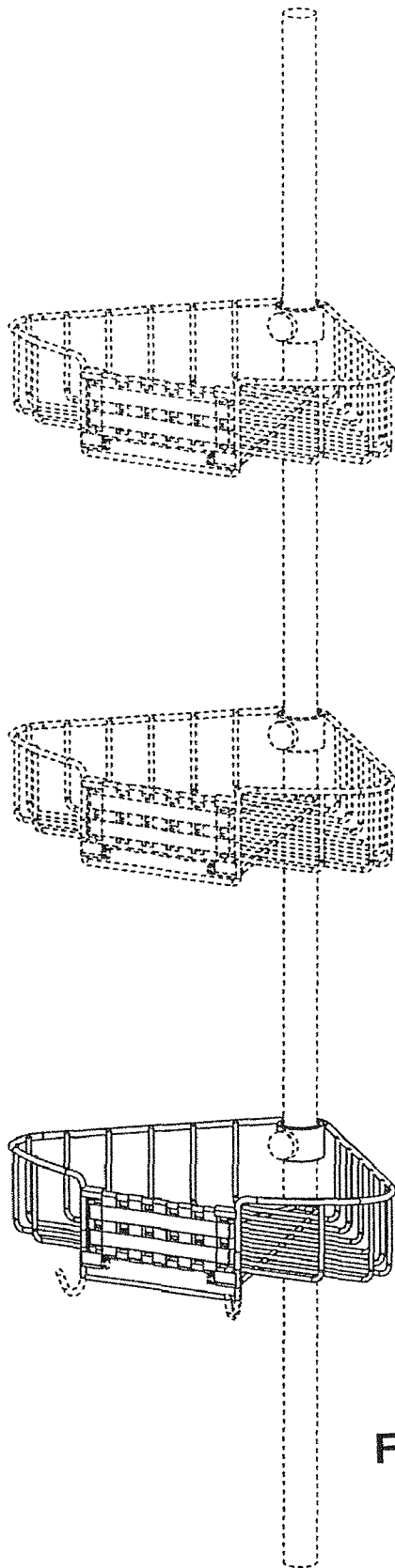


FIG. 7