



US00D592717S

(12) **United States Design Patent**  
**Rollinson**

(10) **Patent No.:** **US D592,717 S**

(45) **Date of Patent:** **\*\* May 19, 2009**

(54) **PUTTER HEAD**

(75) Inventor: **Augustin W. Rollinson**, Carlsbad, CA  
(US)

(73) Assignee: **Callaway Golf Company**, Carlsbad, CA  
(US)

(\*\*) Term: **14 Years**

(21) Appl. No.: **29/324,466**

(22) Filed: **Sep. 12, 2008**

(51) **LOC (9) Cl.** ..... **21-02**

(52) **U.S. Cl.** ..... **D21/742**

(58) **Field of Classification Search** ..... D21/736-746;  
473/324-331, 340-341

See application file for complete search history.

(56) **References Cited**

**U.S. PATENT DOCUMENTS**

D457,586 S *	5/2002	Tang et al.	.....	D21/759
D461,515 S *	8/2002	Tang et al.	.....	D21/742
D467,985 S *	12/2002	Tang et al.	.....	D21/742
D483,824 S *	12/2003	Tang et al.	.....	D21/738
D485,323 S *	1/2004	Wagner et al.	.....	D21/744
D496,418 S *	9/2004	Tang et al.	.....	D21/738
D499,777 S *	12/2004	Yamamoto	.....	D21/742
D518,127 S *	3/2006	Tang et al.	.....	D21/742
D537,135 S *	2/2007	Rollinson et al.	.....	D21/742

D545,385 S *	6/2007	Tang et al.	.....	D21/736
D557,361 S *	12/2007	Rollinson	.....	D21/743
D569,462 S *	5/2008	Rollinson	.....	D21/744
D571,879 S *	6/2008	Jones et al.	.....	D21/736
D572,780 S *	7/2008	Rollinson	.....	D21/744
D574,907 S *	8/2008	Jones et al.	.....	D21/736
D575,366 S *	8/2008	Rollinson	.....	D21/744
D585,511 S *	1/2009	Cameron	.....	D21/743

\* cited by examiner

*Primary Examiner*—Mitchell I Siegel

(74) *Attorney, Agent, or Firm*—Michael A. Catania; Elaine H. Lo

(57) **CLAIM**

The ornamental design of a putter head, as shown and described.

**DESCRIPTION**

FIG. 1 is a top perspective view of a putter head as claimed herein;

FIG. 2 is a top plan view thereof;

FIG. 3 is a front elevational view thereof;

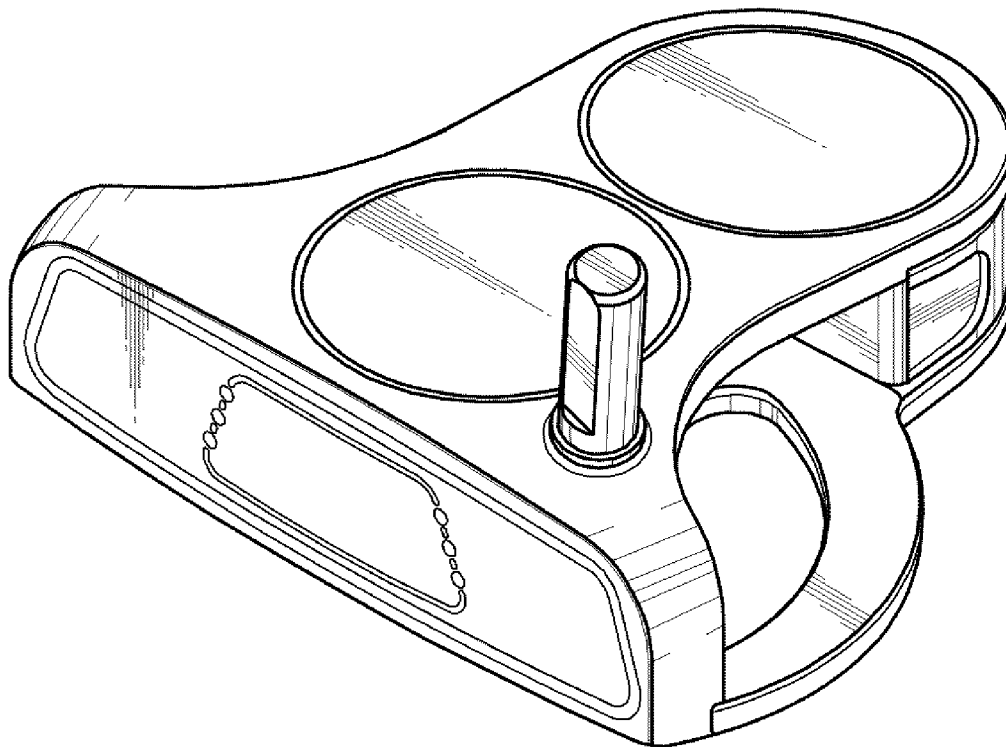
FIG. 4 is a bottom plan view thereof;

FIG. 5 is a rear elevational view thereof;

FIG. 6 is a toe elevational view thereof; and,

FIG. 7 is a heel elevational view thereof.

**1 Claim, 3 Drawing Sheets**



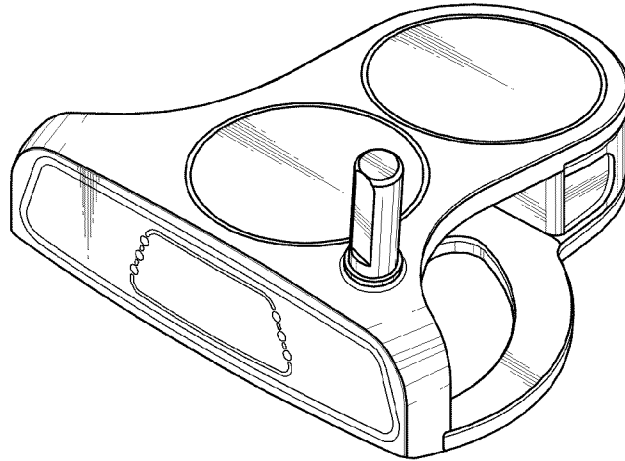


FIG. 1

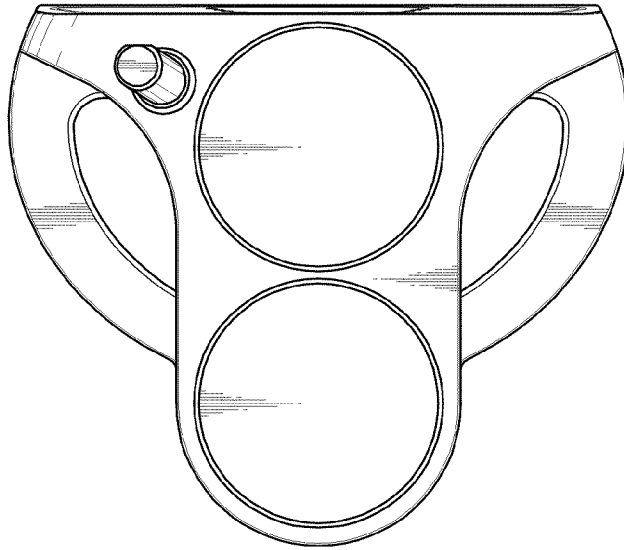


FIG. 2

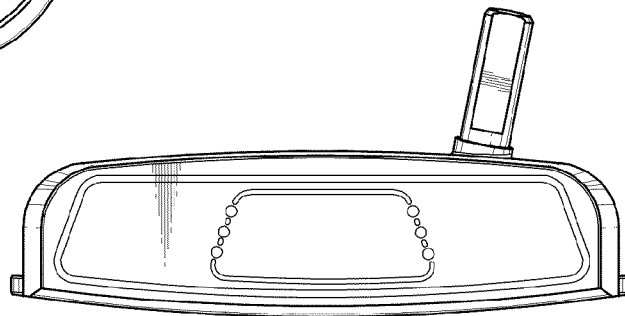
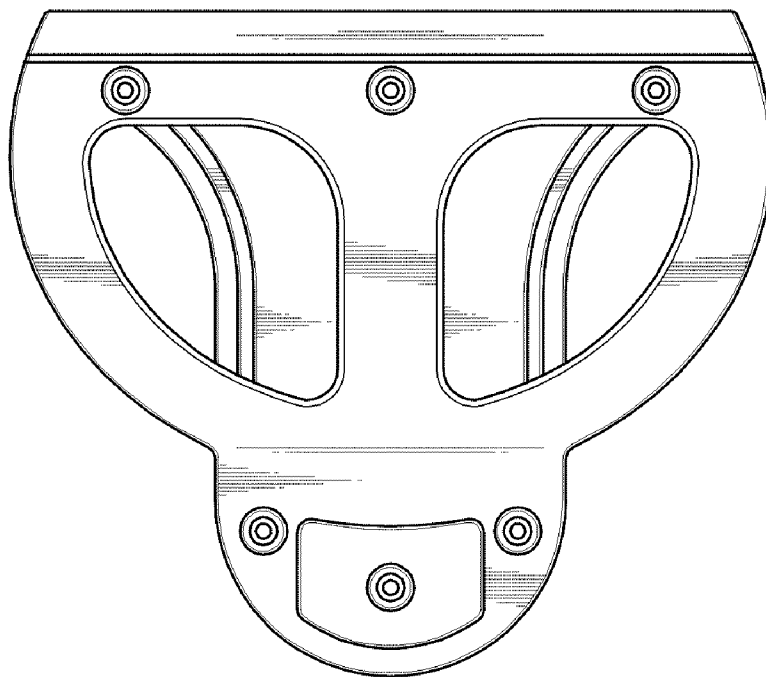
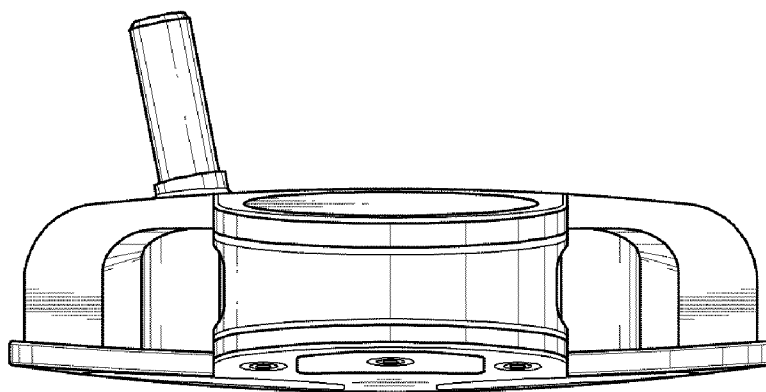


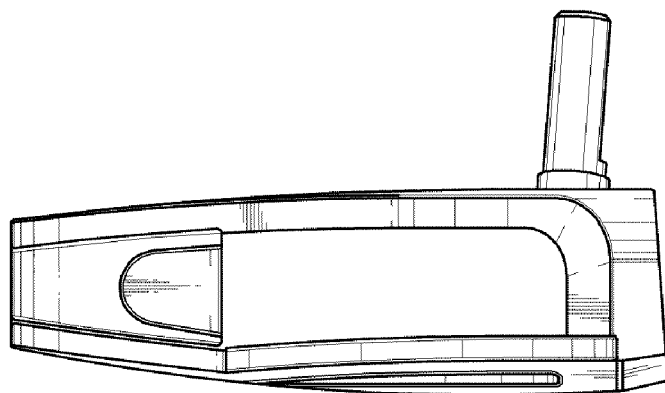
FIG. 3



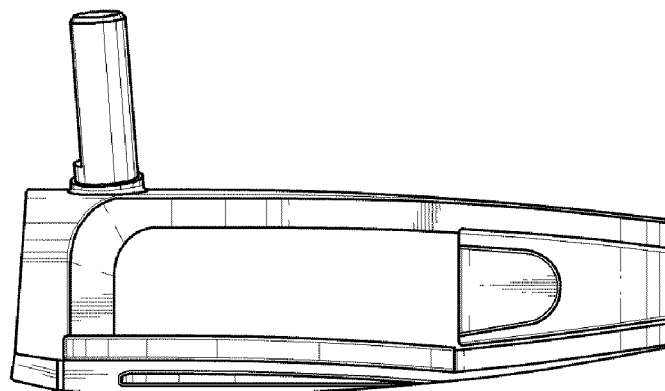
*FIG. 4*



*FIG. 5*



*FIG. 6*



*FIG. 7*