



(86) Date de dépôt PCT/PCT Filing Date: 2020/06/18
 (87) Date publication PCT/PCT Publication Date: 2020/12/21
 (45) Date de délivrance/Issue Date: 2021/08/24
 (85) Entrée phase nationale/National Entry: 2020/12/16
 (86) N° demande PCT/PCT Application No.: US 2020/038462
 (30) Priorité/Priority: 2019/06/21 (US62/864,638)

(51) Cl.Int./Int.Cl. *A61G 7/05* (2006.01),
A61G 7/018 (2006.01), *A61G 7/065* (2006.01)
 (72) Inventeurs/Inventors:
NAHAVANDI, KUROSH, US;
NIBAKUZE, PLACIDE, US;
BUICK, DAVID, US
 (73) Propriétaire/Owner:
STRYKER CORPORATION, US
 (74) Agent: BRUNET & CO.

(54) Titre : APPAREIL DE SUPPORT DE PATIENT AVEC RAPPELS POUR SOIGNANT
 (54) Title: PATIENT SUPPORT APPARATUS WITH CAREGIVER REMINDERS

(57) **Abrégé/Abstract:**

A patient support apparatus, such as a bed, cot, stretcher, operating table, recliner, or the like, includes a patient support structure, a user interface, a display, a plurality of lights, and a controller. The user interface comprises a display and controls for configuring various components of the patient support apparatus. The controller uses the lights and/or display to issue one or more reminders to the caregiver to put the patient support apparatus in a desired configuration before the caregiver walks away from the patient support apparatus. The reminders help ensure that the caregiver properly configured the patient support apparatus. In some embodiment, the reminders include pulsing the lights in an unobtrusive, but easily seen, manner until the proper configuration is achieved. Reminders may also be implemented by prohibiting certain functionality until the patient support apparatus is properly configured.

ABSTRACT OF THE DISCLOSURE

A patient support apparatus, such as a bed, cot, stretcher, operating table, recliner, or the like, includes a patient support structure, a user interface, a display, a plurality of lights, and a controller. The user interface comprises a display and controls for configuring various components of the patient support apparatus. The controller uses the lights and/or display to issue one or more reminders to the caregiver to put the patient support apparatus in a desired configuration before the caregiver walks away from the patient support apparatus. The reminders help ensure that the caregiver properly configured the patient support apparatus. In some embodiment, the reminders include pulsing the lights in an unobtrusive, but easily seen, manner until the proper configuration is achieved. Reminders may also be implemented by prohibiting certain functionality until the patient support apparatus is properly configured.

PATIENT SUPPORT APPARATUS WITH CAREGIVER REMINDERS

BACKGROUND

[0001] The present disclosure relates to patient support apparatuses, such as beds, cots, stretchers, operating tables, recliners, or the like. More specifically, the present disclosure relates to patient support apparatuses that include one or more components that are capable of being in different states.

[0002] Conventional patient support apparatuses comprise a base, a litter frame, a support deck upon which the patient is supported, a lift system for lifting and lowering the litter frame relative to the base, and an articulation system for articulating one or more sections of the support deck. Control of these and other systems of the patient support apparatus is performed via a user interface provided on a footboard or on one or more of the side rails of the patient support apparatus. Often, operation of the user interface is complex, making the user interface difficult to operate.

[0003] Most healthcare facilities expect their caregivers to ensure that the patient support apparatuses are configured in a particular manner (e.g. one or more components are in a desired state). These expectations are in addition to the caregiver's many other responsibilities, and in many instances the duty of ensuring the patient support apparatuses are properly configured may be overlooked and/or forgotten.

SUMMARY

[0004] According to various embodiments, an improved patient support apparatus is provided that is configured to provide reminders to the caregiver in order to assist the caregiver in configuring the patient support apparatus in a desired manner before the caregiver exits from the room in which the patient support apparatus is positioned. The reminders may be issued in a multiple manners, including an initial, reminder screen that is shown on a display of the patient support apparatus, as well as a continuous gentle pulsing of lights arranged around a portion of the perimeter of the patient support apparatus. The pulsing of the various lights may follow a sinusoidal pattern, or some other pattern that gently increases and gently decreases the light intensity, to thereby provide a gentle visual reminder to the caregiver of an unperformed configuration task, rather than a harsh visual reminder such as is presented by a square wave, or an approximate square wave. The gentle pulsing may also have a frequency on the order of about 2-4 seconds, which approximates that of human respiration and which is noticeable, but not disturbing. Still further, the various lights are configured to pulse in synchronization with each other and continue to pulse for as long as any one task on a list of configuration tasks remains unperformed, thereby continuing to provide the caregiver with a gentle, yet readily visible, reminder that the patient support apparatus is not configured properly. The lights face away from the patient and are not readily viewable by the patient, thereby preventing any visual disturbance to the patient when the patient support apparatus remains incompletely configured. The patient support apparatus may also, or alternatively, be configured to not perform certain functions until one or more configuration tasks are completed, thereby providing additional encouragement and another reminder to the caregiver to properly and completely configure the patient support apparatus.

[0005] According to one embodiment of the present disclosure, a patient support apparatus is provided that includes a support structure, a plurality of wheels, an exit detection system, a sensor, a display, and a controller. The support structure includes a patient support surface adapted to support a patient thereon. The plurality of wheels facilitate transport of the patient support apparatus over a floor. The exit detection system is configured to be armed and disarmed and is adapted to issue an alert when the exit detection system is armed and the patient exits the patient support surface. The sensor is adapted to detect a state of a component of the patient support apparatus. The controller is configured to determine if the component is in a first state or a second state, to prevent the exit detection system from being armed when the component is in the first state, and to allow the exit detection system to be armed when the component is in the second state.

[0006] According to another aspect of the present disclosure, the controller is further configured to display a reminder screen on the display when the component is in the first state. In some embodiments, the reminder screen comprises a state control configured to enable a user to change the state of the component from the first state to the second state upon

user-activation of the state control. The reminder screen may alternatively, or additionally, comprise an ignore control configured to enable a user to clear the reminder screen from the display upon user-activation of the ignore control.

[0007] In some embodiments, the patient support apparatus further comprises a first siderail including an inner surface facing the patient and an outer surface facing away from the patient; a first light coupled to the outer surface of the first siderail; a second siderail opposite the first siderail and including an inner surface facing the patient and an outer surface facing away from the patient; a second light coupled to the outer surface of the second siderail; and a third light coupled to a foot end of the support structure. The controller is further adapted to pulse the first, second, and third lights in a synchronized manner until the component is changed to the second state.

[0008] In some embodiments, the controller is configured to pulse the first, second, and third lights in a sinusoidal manner having a frequency of greater than one pulse per second. The controller may further be configured to continue to pulse the first, second, and third lights after the component is changed to the second state if the exit detection system is unarmed, and to continue to pulse the first, second, and third lights until the exit detection system is armed.

[0009] In some embodiments, the component is a brake, the sensor is a brake sensor, the first state is a state in which the brake is deactivated, and the second state is a state in which the brake is activated.

[0010] In some embodiments, the component is a nurse call interface configured to communicatively couple to a nurse call system outlet mounted to a headwall of a healthcare facility, the sensor is a nurse call communication sensor adapted to detect if the nurse call interface is communicatively coupled to the nurse call system outlet, the first state is a state in which the nurse call interface is not communicatively coupled to the nurse call system outlet, and the second state is a state in which the nurse call interface is communicatively coupled to the nurse call system outlet.

[0011] In some embodiments, the nurse call communication sensor is a sensor adapted to detect if a nurse call cable is coupled between the nurse call interface and the nurse call system outlet.

[0012] The controller, in some embodiments, is further configured to flash the first, second, and third lights in a synchronized manner when the exit detection system is armed and the patient exits the patient support surface, and to flash the first, second, and third lights at a different frequency from a frequency at which the controller is configured to pulse the first, second, and third lights. The flashing of the first, second, and third lights may be carried out in a non-sinusoidal manner. The flashing of the lights may also, or alternatively, be carried out in a different color than what the controller is configured to use when pulsing the first, second, and third lights.

[0013] According to another embodiment of the present disclosure, a patient support apparatus is provided that includes a support structure, a plurality of wheels, a monitoring system, a sensor, a display, and a controller. The support structure includes a patient support surface adapted to support a patient thereon. The plurality of wheels facilitate transport of the patient support apparatus over a floor surface. The monitoring system is configured to monitor a plurality of conditions of the patient support apparatus and to issue an alert, when armed, if any of the plurality of monitored conditions changes to an undesired status. The sensor is adapted to detect a state of a component of the patient support apparatus. The controller is adapted to determine if the component is in a first state or a second state, to prevent the monitoring system from being armed when the component is in the first state, and to allow the monitoring system to be armed when the component is in the second state.

[0014] According to other aspects of the present disclosure, the controller is configured to display a reminder screen on the display when the component is in the first state. The reminder screen may include a state control configured to enable a user to change the state of the component from the first state to the second state upon user-activation of the state control. The reminder screen may alternatively or additionally include an ignore control configured to enable a user to clear the reminder screen from the display upon user-activation of the ignore control.

[0015] In some embodiments, the patient support apparatus further comprises a first siderail including an inner surface facing the patient and an outer surface facing away from the patient; a first light coupled to the outer surface of the first siderail; a second siderail opposite the first siderail and including an inner surface facing the patient and an outer surface facing away from the patient; a second light coupled to the outer surface of the second siderail; and a third light coupled to a foot end of the support structure. The controller is further adapted to pulse the first, second, and third lights in a synchronized manner until the component is changed to the second state.

[0016] In some embodiments, the controller is further adapted to continue to pulse the first, second, and third lights after the component is changed to the second state if the monitoring system is unarmed, and to continue to pulse the first, second, and third lights until the monitoring system is armed.

[0017] In some embodiments, the sensor is a brake sensor, the first state is a state in which the brake is deactivated, and the second state is a state in which the brake is activated.

[0018] In some embodiments, the component is a nurse call interface configured to communicatively couple to a nurse call system outlet mounted to a headwall of a healthcare facility, the sensor is a nurse call communication sensor adapted to detect if the nurse call interface is communicatively coupled to the nurse call system outlet, the first state is a state in which the nurse call interface is not communicatively coupled to the nurse call system outlet, and the second state is a state in which the nurse call interface is communicatively coupled to the nurse call system outlet.

[0019] The controller, in some embodiments, is further configured to flash the first, second, and third lights in a synchronized manner when the monitoring system is armed and any of the plurality of monitored conditions changes to the undesired status. In such embodiments, the controller is configured to flash the first, second, and third lights at a different frequency from a frequency at which the controller is configured to pulse the first, second, and third lights.

[0020] According to another embodiment of the present disclosure, a patient support apparatus is provided that includes a support structure, a light, a display, and a controller. The support structure includes a patient support surface adapted to support a patient thereon. The controller is configured to detect if a component of the patient support apparatus is in a desired state or an undesired state; to display a reminder screen on the display and activate the light when the component of the patient support apparatus is in the undesired state; to clear the reminder screen from the display upon user-activation of an ignore control on the reminder screen; and to continue to activate the light after the reminder screen is cleared until the component of the patient support apparatus is in the desired state.

[0021] In some embodiments, the light comprises at least a first light, a second light, and a third light. In some embodiments, the first light is coupled to an outer surface of a first siderail, the second light is coupled to an outer surface of a second siderail, and the third light is coupled to a foot end of the support structure.

[0022] The controller may be configured to activate the light by pulsing the first, second, and third lights in a synchronized manner until the component is changed to the desired state.

[0023] The component may be a brake, a power cord, an exit detection system, a monitoring system, or a nurse call interface. In some embodiments, the controller is adapted to display a reminder screen for each one of these components when they are in respective undesired states, and to continue to activate the lights until each and every one of these components is changed to their respective desired state.

[0024] In some embodiments, the controller is further adapted to continue to pulse the first, second, and third lights after the component is changed to the desired state if a second component remains in a second undesired state. In such embodiments, the component may be a brake and the second component may include any one or more of the following: (a) a power cord adapted to be in a first state in which the power cord is plugged into an electrical power outlet and a second state in which the power cord is not plugged into the electrical power outlet, wherein the second undesired state is the second state; (b) an exit detection system adapted to be in armed state and a disarmed state, wherein the second undesired state is the disarmed

state; (c) a monitoring system adapted to be in an armed state and a disarmed state, wherein the second undesired state is the disarmed state; (d) a nurse call interface adapted to be in first state in which the nurse call interface is communicatively coupled to a nurse call system outlet mounted to a headwall of a healthcare facility and a second state in which the nurse call interface is not communicatively coupled to the nurse call system outlet, wherein the second undesired state is the second state; or (e) a wireless network transceiver adapted to be in a first state in which the wireless network transceiver is able to communicate with a local area network of a healthcare facility and a second state in which the wireless network transceiver is unable to communicate with the local area network, wherein the second undesired state is the second state.

[0025] In some embodiments, the controller is configured to clear the reminder screen from the display in response to the component of the patient support apparatus changing from the undesired state to the desired state, but to continue to activate the light after the reminder screen is cleared from the display if any of a second, third, or fourth component of the patient support apparatus is in a second, third, or fourth undesired state, respectively. The second component may be a power cord adapted to be plugged into an electrical power outlet in which case the second undesired state corresponds to the power cord being unplugged from the electrical power outlet. The third component may be an exit detection system in which case the third undesired state corresponds to the exit detection system being disarmed. And the fourth component may be a monitoring system in which case the fourth undesired state corresponds to the monitoring system being disarmed.

[0026] In some embodiments, the controller is configured to operate the display in a wake mode and in a sleep mode, and wherein the controller is further configured to continue to activate the light after switching from the wake mode to the sleep mode until the component of the patient support apparatus is in the desired state. In such embodiments, the controller may further be configured to re-display the reminder screen on the display upon switching from the sleep mode to the wake mode if the component is not in the desired state.

[0027] In some embodiments, the patient support apparatus further comprises a footboard and a dashboard mounted to the footboard. The dashboard includes an icon corresponding to the component and a fourth light. The fourth light is positioned behind the icon and adapted to backlight the icon when the fourth light is activated. The controller may further be adapted to pulse the fourth light in synchronization with the first, second, and third lights.

[0028] In some embodiments, the controller is configured stop pulsing the first, second, and third lights in a synchronized manner only when both the component is changed to the desired state and a set of additional components are changed to respective desired states. The controller may be configured to continuously activate the first, second, and third lights in a second color when both the component is in the desired state and the set of additional components are in their respective desired state. The second color is different from a color in which the controller pulses the first, second, and third lights.

[0029] According to another embodiment of the present disclosure, a patient support apparatus is provided that includes a support structure, an exit detection system, a user interface, a reminder light, and a controller. The support structure includes a patient support surface adapted to support a patient thereon. The exit detection system is configured to issue an alert when the exit detection system is armed and the patient exits the patient support surface. The user interface includes an egress control adapted to cause the patient support surface to move to an egress orientation. The controller is configured to activate the reminder light upon user-activation of the egress control if the exit detection system is currently armed and to not activate the reminder light up user-activation of the egress control if the exit detection system is not currently armed.

[0030] In some embodiments, the patient support apparatus further comprises a side rail coupled to the support structure and the user interface is coupled to the side rail.

[0031] The user interface, in some embodiments, comprises a disarming control adapted to disarm the exit detection system, and the reminder light is a backlight adapted to backlight the disarming control.

[0032] In some embodiments, the controller is configured to activate the reminder light by flashing the reminder light on and off.

[0033] The controller, in some embodiments, is configured to, after activation of the reminder light, to deactivate the reminder light in response to a user disarming the exit detection system.

[0034] The activation of the reminder light, in some embodiments, comprises changing a color of light emitted from the reminder light such that the controller activates the reminder light in a first color before user-activation of the egress control if the exit detection system is currently armed, and the controller activates the reminder light in a second color after user-activation of the egress control if the exit detection system is currently armed.

[0035] In some embodiments, the patient support apparatus further comprises a sensor adapted to detect a state of a component of the patient support apparatus and a display. In such embodiments, the controller is configured to determine if the component is in a first state or a second state, to prevent the exit detection system from being armed when the component is in the first state, and to allow the exit detection system to be armed when the component is in the second state.

[0036] Additionally, the patient support apparatus may further comprise a monitoring system configured to monitor a plurality of conditions of the patient support apparatus and to issue an alert, when armed, if any of the plurality of monitored conditions changes to an undesired status. In such embodiments, the controller may further be configured to prevent the monitoring system from being armed when the component is in the first state, and to allow the monitoring system to be armed when the component is in the second state.

[0037] According to another embodiment of the present disclosure, a patient support apparatus is provided that includes a support structure, an alerting system, a display, a memory, and a controller. The support structure includes a patient support surface adapted to support a patient thereon. The alerting system is configured to be armed and disarmed and to issue an alert when armed and when the alerting system detects an alert condition. The memory includes a desired state of the alerting system stored therein. The controller is configured to determine a current state of the alerting system, and to issue a reminder to change the alerting system to the desired state if the alerting system is not in the desired state.

[0038] In some embodiments, the reminder comprises a reminder screen displayed on the display. The reminder screen may include an arming control configured to enable a user to automatically arm the alerting system, wherein upon user-activation of the arming control the controller is operable to arm the alerting system and clear the reminder screen from the display.

[0039] In some embodiments, the alerting system comprises at least one of an exit detection system and a monitoring system. The exit detection system is adapted to issue an alert when the patient exits from support surface and the monitoring system is adapted to issue an alert when any one of a plurality of conditions of the patient support apparatus change to an undesired status.

[0040] The patient support apparatus may further comprise a first light, a second light, and a third light, and the controller may be configured to issue the reminder by pulsing the first, second, and third lights in a synchronized manner when the alerting system is not in the desired state.

[0041] In some embodiments, the controller is further configured to display a reminder screen on the display when the alerting system is in not in the desired state, to clear the reminder screen from the display upon user-activation of an ignore control on the reminder screen, and to continue to pulse the first, second, and third lights until the alerting system of the patient support apparatus is in the desired state.

[0042] The controller, in some embodiments, is further configured to operate the display in a wake mode and in a sleep mode, and to continue to pulse the first, second, and third lights after switching from the wake mode to the sleep mode until the alerting system of the patient support apparatus is in the desired state. The controller may further be configured to re-display the reminder screen on the display upon switching from the sleep mode to the wake mode if the alerting system is not in the desired state.

[0043] In some embodiments, the patient support apparatus further comprises a footboard and a dashboard mounted to the footboard. The dashboard includes an icon corresponding to the alerting system and a fourth light. The fourth light is positioned behind the icon and adapted to backlight the icon when the fourth light is activated. The controller is further adapted to pulse the fourth light in synchronization with the first, second, and third lights.

[0044] In some embodiments, the patient support apparatus further comprises a first user interface and a second user interface. The first user interface is coupled to a first siderail and includes a first control for arming the alerting system and a first backlight for illuminating the first control. The second user interface is coupled to a second siderail and includes a second control for arming the alerting system and a second backlight for illuminating the second control. The controller is further adapted to pulse the first backlight and the second backlight in synchronization with the first, second, and third lights.

[0045] According to yet another embodiment of the present disclosure, a method of operating a patient support apparatus is provided. The method includes determining if a component of the patient support apparatus is in a first state or a second state. The first state comprises a state in which an exit detection system is not ready to be armed and the second state comprising a state in which the exit detection system is ready to be armed. The method further comprises automatically disabling an arming control on a user interface of the patient support apparatus for arming the exit detection system upon a determination that the component is in the first state in which the exit detection system is not ready to be armed.

[0046] According to still another embodiment of the present disclosure, a method of operating a patient support apparatus is provided. The method includes determining if a component of the patient support apparatus is in a first state or a second state. The first state comprises a state in which a monitoring system is not ready to be armed and the second state comprises a state in which the monitoring system is ready to be armed. The method further comprises automatically disabling an arming control on a user interface of the patient support apparatus for arming the monitoring system upon a determination that the component is in the first state in which the monitoring system is not ready to be armed.

[0047] According to yet another embodiment of the present disclosure, a method of operating a patient support apparatus is provided. The method includes detecting if a feature of the patient support apparatus is in a desired state or an undesired state. If the feature is in an undesired state, the method includes displaying a reminder screen on a user interface and activating a light. The method further comprises clearing the reminder screen from the display while continuing to activate the light upon user-activation of an ignore control on the reminder screen, and continuing to activate the light until the feature of the patient support apparatus is in the desired state.

[0048] According to still another embodiment of the present disclosure, a method of operating a patient support apparatus is provided. The method includes storing a desired arming state of a monitoring system in a memory and issuing a reminder if the current arming state of the monitoring system is disarmed and the desired arming state of the monitoring system is an armed state.

[0049] Before the various embodiments disclosed herein are explained in detail, it is to be understood that the claims are not to be limited to the details of operation, to the details of construction, or to the arrangement of the components set forth in the following description or illustrated in the drawings. The embodiments described herein are capable of being practiced or being carried out in alternative ways not expressly disclosed herein. In addition, it is to be understood that the phraseology and terminology used herein are for the purpose of description and should not be regarded as limiting. The use of "including" and "comprising" and variations thereof is meant to encompass the items listed thereafter and equivalents thereof as well as additional items and equivalents thereof. Further, enumeration may be used in the description of various embodiments. Unless otherwise expressly stated, the use of enumeration should not be construed as limiting the claims to any specific order or number of components. Nor should the use of enumeration be construed as excluding from the scope of the claims any additional steps or components that might be combined with or into the enumerated steps or components.

BRIEF DESCRIPTION OF THE DRAWINGS

- [0050]** FIG. 1 is a perspective view of a patient support apparatus having first and second user interfaces, according to one embodiment of the disclosure;
- [0051]** FIG. 2 is a partial perspective view of the first user interface depicted in FIG. 1;
- [0052]** FIG. 3 is a partial perspective view of the second user interface depicted in FIG. 1;
- [0053]** FIG. 4 is a schematic diagram of various components of the patient support apparatus and its environment, including the first user interface and a sensor system;
- [0054]** FIG. 5 is an illustrative brake reminder screen that may be displayed on a display of the first user interface;
- [0055]** FIG. 6 is an illustrative nurse call reminder screen that may be displayed on the display of the first user interface;
- [0056]** FIG. 7 is an illustrative power source reminder screen that may be displayed on the display of the first user interface;
- [0057]** FIG. 8 is an illustrative Wi-Fi reminder screen that may be displayed on the display of the first user interface;
- [0058]** FIG. 9 is an illustrative bed exit reminder screen that may be displayed on the display of the first user interface;
- [0059]** FIG. 10 is an illustrative bed monitor reminder screen that may be displayed on the display of the first user interface;
- [0060]** FIG. 11 is an illustrative floor settings screen that may be displayed on the display of the first user interface;
- [0061]** FIGS. 12A-12B are flow diagrams of a reminder management algorithm executed by a controller associated with the first and/or second user interfaces; and
- [0062]** FIG. 13 is an egress reminder algorithm executed by the controller.

DETAILED DESCRIPTION OF THE EMBODIMENTS

- [0063]** An illustrative patient support apparatus 30 incorporating one or more aspects of the present disclosure is shown in FIG. 1. Although the particular form of patient support apparatus 30 illustrated in FIG. 1 is a bed adapted for use in a hospital or other medical setting, it will be understood that patient support apparatus 30 could, in different embodiments, be a cot, a stretcher, a gurney, a recliner, an operating table, a residential bed, or any other structure capable of supporting a person, whether stationary or mobile and/or whether medical or residential.
- [0064]** A support structure 32 provides support for the patient. The support structure 32 illustrated in FIG. 1 comprises a base 34 and a support frame 36. The base 34 comprises a base frame 35. The support frame 36 is spaced above the base frame 35 in FIG. 1. The support structure 32 also comprises a patient support deck 38 disposed on the support frame 36. The patient support deck 38 comprises several sections, some of which are capable of articulating (e.g., pivoting) relative to the support frame 36, such as a back (fowler) section 41, a seat section 43, a leg section 45 and a foot section 47. The patient support deck 38 provides a patient support surface 42 upon which the patient is supported. A lift system 37 may be coupled to the support structure 32 to raise and lower the support frame 36, patient support deck 38, and patient support surface 42 to different heights relative to the base frame 35, including to a lowest height relative to the base frame 35. Such a lift system 37 may be like that described in U.S. Patent Application Pub. No. 2017/0246065, filed on February 22, 2017, entitled "Lift Assembly For Patient Support Apparatus,".
- [0065]** A mattress (not shown) is disposed on the patient support deck 38 during use. The mattress comprises a secondary patient support surface upon which the patient is supported. The base 34, support frame 36, patient support deck 38, and patient support surface 42 each have a head end and a foot end corresponding to designated placement of the patient's head and feet on patient support apparatus 30. The base 34 comprises a longitudinal axis L1 along its length from the head end to the foot end. The construction of the support structure 32 may take on any known or conventional design, and is not limited to that specifically set forth above.

[0066] Patient barriers, such as side rails 44, 46, 48, 50 are coupled to the support frame 36 and/or patient support deck 38 and are thereby supported by the base 34. A first side rail 44 is positioned at a right head end. A second side rail 46 is positioned at a right foot end. A third side rail 48 is positioned at a left head end. A fourth side rail 50 is positioned at a left foot end. In the embodiment shown, the head end side rails 44, 48 are mounted to the back section 41 for movement with the back section 41. The foot end side rails 46, 50 are mounted to the support frame 36 for movement with the support frame 36. If patient support apparatus 30 is a stretcher or a cot, there may be fewer side rails. The side rails 44, 46, 48, 50 are movable relative to the back section 41/support frame 36 to a raised position in which the side rails 44, 46, 48, 50 block ingress and egress into and out of patient support apparatus 30, one or more intermediate positions, and a lowered position in which the side rails 44, 46, 48, 50 are not an obstacle to such ingress and egress. In the embodiment shown, the side rails 44, 46, 48, 50 are connected to the back section 41 and/or the support frame 36 by pivotal support arms to form four bar linkages. Such side rails and the manner in which they may be raised/lowered are shown and described in U.S. Patent Application Pub. No. 2017/0172829, filed on December 15, 2016 and entitled "Powered Side Rail For A Patient Support Apparatus."

[0067] A headboard 52 and a footboard 54 are coupled to the support frame 36. The headboard 52 and footboard 54 may be coupled to any location on patient support apparatus 30, such as the support frame 36 or the base 34. In still other embodiments, patient support apparatus 30 does not include the headboard 52 and/or the footboard 54.

[0068] Caregiver interfaces 56, such as handles, are shown integrated into the headboard 52, footboard 54, and side rails 44, 46, 48, 50 to facilitate movement of patient support apparatus 30 over a floor surface F. Additional caregiver interfaces 56 may be integrated into other components of patient support apparatus 30. The caregiver interfaces 56 are graspable by the caregiver to manipulate patient support apparatus 30 for movement, to move the side rails 44, 46, 48, 50, and the like.

[0069] Wheels 58 are coupled to the base 34 to facilitate transport over the floor surface F. The wheels 58 are arranged in each of four quadrants of the base 34 adjacent to corners of the base 34. In the embodiment shown, the wheels 58 are caster wheels able to rotate and swivel relative to the support structure 32 during transport. Each of the wheels 58 forms part of a caster assembly 60. Each caster assembly 60 is mounted to the base 34. Brake 61 may be associated with one or more of the wheels 58 to arrest rotation of the wheels when active. Brake 61 may be manually or electronically actuated. It should be understood that various configurations of the caster assemblies 60 and/or brake 61 are contemplated. In addition, in some embodiments, the wheels 58 are not caster wheels and may be non-steerable, steerable, non-powered, powered, or combinations thereof. Additional wheels are also contemplated. For example, patient support apparatus 30 may comprise four non-powered, non-steerable wheels, along with one or more powered wheels. In some cases, patient support apparatus 30 may not include any wheels.

[0070] In other embodiments, one or more auxiliary wheels (powered or non-powered), which are movable between stowed positions and deployed positions, may be coupled to the support structure 32. In some cases, when these auxiliary wheels are located between caster assemblies 60 and contact the floor surface F in the deployed position, the auxiliary wheels cause two of the caster assemblies 60 to be lifted off the floor surface F, thereby shortening a wheel base of patient support apparatus 30. A fifth wheel may also be arranged substantially in a center of the base 34.

[0071] The mechanical construction of patient support apparatus 30 may be the same as, or nearly the same as, the mechanical construction of the Model 3002 S3 bed manufactured and sold by Stryker Corporation of Kalamazoo, Michigan. This mechanical construction is described in detail in the Stryker Maintenance Manual for the MedSurg Bed, Model 3002 S3, published in 2010 by Stryker Corporation of Kalamazoo, Michigan. It will be understood by those skilled in the art that patient support apparatus 30 can be designed with other types of mechanical constructions, such as, but not limited to, those described in U.S. Patent No. 7,690,059, issued April 6, 2010, entitled "Hospital Bed," and/or U.S. Patent No. 8,689,376, issued April 8, 2014, entitled "Patient Handling Device Including Local Status Indication, One-Touch Fowler Angle Adjustment, and Power-On

“Hospital Bed,” and/or U.S. Patent No. 8,689,376, issued April 8, 2014, entitled “Patient Handling Device Including Local Status Indication, One-Touch Fowler Angle Adjustment, and Power-On Alarm Configuration”, the complete disclosures of both of which are hereby incorporated herein by reference. The mechanical construction of patient support apparatus 30 may also take on forms different from what is disclosed in the aforementioned references.

[0072] Additionally, patient support apparatus 30 includes a user interface 62 supported by the support structure 32 of patient support apparatus 30. Although shown at the foot end of patient support apparatus 30, user interface 62 may be disposed at the head end, and/or on one or more sides of patient support apparatus 30. More specifically, one or more user interfaces 62 may be attached to the headboard 52, footboard 54, and/or side rails 44, 46, 48, 50, or at any other suitable location, via fasteners, welding, snap-fit connections, or the like. In some versions, each user interface 62 comprises a separate housing fixed to the headboard 52, footboard 54, and/or side rails 44, 46, 48, 50, or other suitable locations. In other versions, the housings of user interfaces 62 are integrated into the headboard 52, footboard 54, and/or side rails 44, 46, 48, 50. In at least one embodiment, one of the user interfaces 62 is attached to the footboard 54 of patient support apparatus 30 and other user interfaces 62 are attached to one or more of the side rails 44, 46, 48, 50. A user interface 62 attached to the footboard 54 shall be described in detail, but the features and functions to be described are equally applicable to the other user interfaces 62 that may be located elsewhere on patient support apparatus 30.

[0073] FIG. 2 depicts a perspective view of user interface 62 attached to the footboard 54. User interface 62 includes a display 64a. Display 64a may be a touchscreen-type display, although it will be understood that a non-touchscreen display may alternatively be used. Display 64a displays one or more visual indicators, one or more controls, and/or one or more control screens, as will be discussed more below. Display 64a may comprise an LED display, OLED display, or another type of display.

[0074] Display 64a is configured to display a plurality of different screens thereon, only one of which is shown in FIG. 2. Specifically, display 64a is shown in FIG. 2 displaying a motion control screen 154. Motion control screen 154 includes a plurality of motion controls 107a-i that, when touched, cause movement of the associated component(s) of patient support apparatus 20. Thus, for example, pressing and holding motion control 107c causes back section 41 to be pivoted upwardly, while pressing and holding motion control 107d causes back section 41 to be pivoted downwardly. If the user wishes to control other aspects of patient support apparatus 20 besides movement, he or she can navigate to different screens that include different controls and/or other information about patient support apparatus. Thus, for example, if the user presses navigation control 66a, user interface 62 displays an exit detection control screen (now shown) that allows the user to control various aspects of exit detection system 150. If the user presses navigation control 66b, user interface 62 displays a bed monitor control screen (not shown) that allows the user to control various aspects of the bed monitoring system 152. If the user presses navigation control 66c, user interface 62 displays a scale screen (not shown) that allows the user to take a patient weight reading and/or control other aspects of the scale system. Still further, if the user presses home navigation control 66d, user interface 62 displays a home screen that, in some embodiments, includes controls for accessing all of the functionality of patient support apparatus 20.

[0075] In some embodiments, if the user presses navigation control 66a, patient support apparatus 30 is configured to not only display the exit detection control screen, but to also automatically arm exit detection system 150. In such embodiments, patient support apparatus 30 may also be configured to both display a bed monitoring screen and to automatically arm bed monitoring system 152 in response to the user touching navigation control 66b. Further details of the operation of these navigation controls 66a and 66b, in at least one embodiment, are disclosed in commonly assigned U.S. patent application serial number 62/868,240, filed June 28, 2019, by inventors Kurosh Nahavandi et al. and entitled “Patient Support Apparatus with Improved User Interface,” the complete disclosure of which is incorporated herein by reference.

[0076] User interface 62, in some embodiments, also includes a dashboard 64b (FIG. 2) that communicates the current states of various conditions of patient support apparatus 30 to a caregiver. Dashboard 64b comprises a plurality of icons 70 that are illuminated via icon lights 68 to thereby act as visual indicators for indicating the current state of different conditions of patient support apparatus 30. For example, a first icon 70a (e.g., a graphical symbol of an alert over a bed) is backlit by a corresponding light 68 when exit detection system 150 is armed; a second icon 70b (e.g., a graphical symbol of an eye) is backlit by a second light 68 when bed monitor system 150 is armed; a third icon 70c (e.g., a graphical symbol of an arrow and bed) is backlit by a third light 68 when the bed is at its lowest height (or below a threshold height); a fourth icon 70d (e.g., a graphical symbol of an unplugged AC power cord) is backlit by a fourth light 68 when the patient support apparatus 20 is plugged into an electrical wall outlet; and a fifth icon 70e (e.g., a graphical symbol of a lock and wheel) is backlit by a fifth light 68 when the brake is activated. The lights 68 positioned behind these icons 70a-e may be controlled to be illuminated in different colors, depending upon what state the associated condition is currently in (e.g. the brake is deactivated, exit detection system 150 is disarmed, etc.) and/or one or more of them may alternatively not be illuminated at all when the associated condition is in another state. Fewer or additional icons 70 may be included as part of dashboard 64b. The plurality of icons 70 may be dead-fronted on the dashboard 64b of user interface 62 such that the plurality of icons 70 are only visible by the caregiver when illuminated by icon lights 68 supported in the housing of user interface 62.

[0077] Dashboard 64b, unlike display 64a, retains the illumination of one or more of icons 70a-e at all times. That is, display 64a is configured in some embodiments to go to sleep (blank) after a predetermined time period elapses without usage. Dashboard 64b, however, retains the illumination of the various icons 70 even after display 64a goes blank, thereby providing the caregiver with information about the status of patient support apparatus 30 when display 64a is blank. Thus, for example, if the brake is not activated and icon 70e is illuminated with an amber or red color, this illumination remains for as long as the brake remains inactive, even if display 64a times out and goes to sleep (or otherwise goes blank).

[0078] Still referring to FIG. 2, one or more reflective surfaces 76 may be located on the patient support apparatus 30 proximate user interface 62. The reflective surfaces 76 may be disposed relative to user interface 62 such that one or more indirect lights 78a supported by the housing of user interface 62 project light away from user interface 62 toward the reflective surfaces 76 to be reflected off the reflective surfaces 76 and outward from the patient support apparatus 30 to act as another visual indicator. Indirect lights 78a may be located on a bottom of the housing of user interface 62 to project the light away from the bottom of the housing toward the reflective surfaces 76. Accordingly, indirect lights 78a may be hidden from view by the housing. The light may be reflected, for example, in several directions, including generally horizontal directions, for being easily viewed by a caregiver at a distance from the patient support apparatus 30. As shown in FIG. 2, in one example, one of the reflective surfaces 76 is disposed underneath user interface 62 to reflect light away from the patient support apparatus 30. The reflective surface 76 may be a surface of the footboard 54, or may be any surface capable of reflecting light from indirect lights 78a, and may be present elsewhere on the patient support apparatus 30. Similar reflective surfaces 76 may be present on the headboard 52 and/or one or more of the side rails 44, 46, 48, 50 to reflect light from other user interfaces 62.

[0079] Reflective surfaces 76 are adapted in many embodiments to generate diffuse reflection, rather than specular reflection. That is, surfaces 76 are not mirrored surfaces, but instead are colored surfaces that scatter the light emitted from lights 78a in multiple directions and/or at many angles. In many embodiments, surfaces 76 are colored a white color, or an off-white color, such that the color composition of the light emitted by indirect lights 78a is not substantially changed after reflection from surfaces 76. The color of light emitted by indirect lights 78a is variable, and in several embodiments, comprises the same color palette as icon lights 68. For example, in at least one embodiment, indirect lights 78a may emit light of three different colors: amber, red, and green, and icon lights 68 are also able to emit light of the same three colors. It will be understood that the term "light" as used herein is broad enough to cover multiple LEDs, bulbs, or other light emitting structures, such that the

term “light” includes structures wherein one LED, bulb, or the like is used for emitting a first color, a second LED, bulb, or the like is used for emitting a second color, and so on.

[0080] Indirect lights 78a are configured to emit light constantly at certain times, to emit light in a pulsed fashion at other times, and to emit light in a flashing fashion at still other times. The times at which first and second lights are configured to be controlled in this manner, as well as the colors of the light that they are adapted to emit, are discussed in greater detail below.

[0081] Both icon lights 68 and indirect lights 78 may comprise RGB LEDs (“Red-Green-Blue Light Emitting Diodes”). Icon lights 68 and/or indirect lights 78 may comprise a single RGB LED, or may comprise a plurality of LEDs. Icon lights 68 and indirect lights 78 may also comprise one or more incandescent bulbs, halogen lamps, neon lamps, fluorescent tubes, and/or any other types of light emitting devices. In some embodiments, patient support apparatus 20 includes one or more direct lights 102 located on the sides of user interface 62 that emit light through light-transmitting covers C attached to the housing of user interface 62 (FIG. 2). When included, direct lights 102 are controlled in synchrony with indirect lights 78a, as will be discussed in greater detail below.

[0082] In some embodiments, additional user interfaces may be present on the patient support apparatus 30, spaced from user interface 62. FIG. 3 depicts a perspective view of a user interface 80 attached to the side rail 44. A similar user interface 80 may be located on an opposing side rail. These user interfaces 80 may have more or less functionality than user interface 62, and may have their own displays, indicator panels with associated icons, and/or reflective surfaces to project light outward from the side rails, for example.

[0083] User interface 80 includes a plurality of controls and one or more visual indicators. The controls include bed orientation controls 84 with associated icons 86; support deck section controls 88 which raise and lower the back (fowler) section 41 and leg section 45 of the patient support deck 38 relative to the support frame 36; bed height controls 90 which operate the lift system 37 to raise and lower the support frame 36, patient support deck 38, and patient support surface 42 to different heights relative to the base frame 35; and brake control 92 which operates brake 61 (e.g. turns brake 61 on and off)

[0084] As shown in FIG. 3, in one embodiment, the plurality of bed orientation controls 84 includes an egress control 84a which is represented on the interface by a first icon 86a (e.g., an associated graphical symbol of a patient leaving a bed). Egress control 84a is a user input device associated with facilitating egress of the patient from the patient support apparatus 30. Pressing egress control 84a reconfigures the patient support apparatus 30 into a position that allows easier exit from the apparatus or an “egress orientation.” The same control 84a, or a similar control (not shown), can be employed to allow ingress into the patient support apparatus 30.

[0085] Other bed orientation controls include a Trendelenburg control 84b for reconfiguring the patient support apparatus 30 into a Trendelenburg orientation, which is represented on the interface by a second icon 86b (e.g. an associated graphical symbol of a patient in a Trendelenburg position), a chair control 84c for reconfiguring the patient support apparatus 30 into a chair orientation, which is represented on the interface by a third icon 86c (e.g. an associated graphical symbol of a patient in a chair position), a flat control 84d for reconfiguring the patient support apparatus 30 into a flat orientation, which is represented on the interface by a fourth icon 86d (e.g. an associated graphical symbol of a patient in a supine position), a foot elevation control 84e for reconfiguring the patient support apparatus 30 into a foot elevation orientation, which is represented on the interface by a fifth icon 86e (e.g. an associated graphical symbol of a patient in a foot elevation position), and a reverse Trendelenburg control 84f for reconfiguring the patient support apparatus 30 into a reverse Trendelenburg orientation, which is represented on the interface by a sixth icon 86f (e.g. an associated graphical symbol of a patient in a reverse Trendelenburg position).

[0086] User interface 80 includes a reminder light 94 that is activated in order to remind the caregiver to disarm exit detection system 150 prior to the patient egressing from the apparatus 30. An arming/disarming control 96 is provided, in some embodiments, on user interface 80 to allow the caregiver to arm or disarm exit detection system 150 from the user interface 80.

As shown in FIG. 3, in one embodiment, the reminder light 94 is supported in the housing of user interface 80 that illuminates an associated icon 98 (e.g., a graphical symbol of an alert) of the arming/disarming control 96.

[0087] In at least one embodiment, reminder light 94 is controlled to emit white light (steady, flashing, or pulsing) when a user presses on egress control 84a while exit detection system 150 is armed, and to emit no light at all other times except when exit detection system 150 is armed and detects a patient exiting from patient support apparatus 30. When such a patient exit is detected, reminder light 94 may be activated to emit a red flashing light. The red flashing illumination of reminder light 94 during an exit detection alert is configured, in at least some embodiments, to be synchronized with the red flashing of other lights (e.g. indirect lights 78a, 78b) that also occurs when an exit detection alert is issued. Such synchronization means that not only is reminder light 94 activated at the same times as the other lights, but the waveform used to carry out the flashing (non-sinusoidal) is of the same period, frequency, and general shape (although the amplitude may be different). Other manners of activating reminder light 94 may also be employed.

[0088] Icon 98 is positioned over reminder light 94 such that reminder light 94 illuminates icon 98 when reminder light 94 is activated. The illumination of icon 98 serves to remind the caregiver to disarm exit detection system 150 when egress control 84a is pressed and exit detection system 150 is armed. Further, the flashing illumination of icon 98 by reminder light 94 during a bed exit alert serves as an additional indication to the caregiver of the cause of the alert. In the illustrated embodiment, icon 98 and reminder light 94 are integrated into an arming/disarming control 96. Arming/disarming control 96 enables the caregiver to disarm and/or arm exit detection system 150 when pressed. In some embodiments, reminder light 94 may be separate and spaced from arming/disarming control 96 and/or user interface 80 may omit arming/disarming control 96.

[0089] Still referring to FIG. 3, at least one reflective surface 100 is located on the side rails proximate user interface 80. The reflective surface 100 is disposed relative to user interface 80 such that one or more indirect lights 78b supported by the housing of user interface 80 project light away from user interface 80 toward the reflective surface 100 to be reflected off the reflective surface 100 and outward from the side rails to act as another visual indicator.

[0090] Indirect lights 78b are located on a bottom of the housing of user interface 80 and project light away from the bottom of the housing toward the reflective surface 100. Accordingly, indirect lights 78b are hidden from view by the housing. The light they emit is reflected, for example, in several directions, including generally horizontal directions, for being easily viewed by a caregiver at a distance from the patient support apparatus 30. As shown in FIG. 3, in one example, one of the reflective surfaces 100 is disposed underneath user interface 80 to reflect light away from the side rail 44. Reflective surface 100, like reflective surface 76, is a diffuse reflector, not a specular reflector, and is, in at least some embodiments, the same color as reflective surface 76.

[0091] As will be discussed in more detail below, icon lights 68, indirect lights 78a-b, and direct lights 102 are controlled to emit lights in different manners at different times, depending upon the state of patient support apparatus 30. Specifically, icon lights 68, indirect lights 78a-b, and direct lights 102 may be activated continuously at times, may be flashed at other times, and may be pulsed at still other times. As used herein, the term “pulsing” or its variants refers to controlling the illumination of one or more lights such that its light intensity increases and decreases in a generally sinusoidal manner. That is, the light gradually gets brighter and brighter until it reaches a peak and then gradually gets dimmer and dimmer until it reaches a trough (which may have the light completely shut off for a fleeting moment), and then this cycle repeats. In contrast, the term “flashing” refers to changing the intensity of the lights, but in a manner that is much more precipitous. For example, in some embodiments, “flashing” refers to controlling the lights such that the intensity of the light they emit generally varies in a square wave fashion. Alternatively, flashing of the lights may be carried out such that the emitted light intensity varies generally as a sawtooth wave, or as a triangle wave, or in some other non-sinusoidal manner. By using a non-sinusoidal wave form for flashing the lights, the effect is to present a visually harsher and more immediate sense of urgency to the caregiver than the sinusoidal

waveform used during the pulsing of the lights. For this reason, lights 68 and/or 78 are pulsed as part of a gentle reminder to the caregiver and flashed when an alert is issued, as will be discussed in greater detail below.

[0092] The flashing of the lights may also be carried out at a higher frequency than the pulsing of the lights. In at least one embodiment, the pulsing of lights 68, 78a-b, 102 repeats itself with a frequency on the order of once every two to five seconds, although other frequencies may be used. By pulsing at this frequency, the synchronized illumination of lights 68, 78a-b, and 102 changes its intensity with roughly the same frequency as a human breathes, and this relatively low time period creates a non-urgent, yet persistent, visual effect, thereby reminding the caregiver that one or more tasks still need to be completed to put patient support apparatus 30 in the proper configuration, yet doing so in a manner that is not distracting or unappealing to the caregiver. In contrast, the synchronized flashing of lights 68, 78-b, and 102 is carried out, in at least one embodiment, at a frequency faster than once every two to five seconds, such as, but not limited, to, at least once per second, if not faster. As will be discussed more below, the flashing of lights is typically only implemented when an alert has issued (red flashing when exit detection system 150 detects a patient alert; amber flashing when monitoring system 152 detects an alert with respect to a monitored condition), while the pulsing of the lights (amber) is typically only implemented when a reminder is being communicated to the caregiver to perform one or more configuration tasks with respect to patient support apparatus 30.

[0093] FIG. 4 illustrates various components of user interface 62 in more detail, as well as a sensor system S coupled to user interface 62 and several other components of patient support apparatus 20 that interact with user interface 62. User interface 62 includes a controller 104 having one or more microprocessors, microcontrollers, field programmable gate arrays, systems on a chip, discrete circuitry, and/or other suitable hardware, software, or firmware that is capable of carrying out the functions described herein. Controller 104 is adapted to communicate with side rail user interfaces 80 via a network bus (e.g. a Controller Area Network, a Serial Peripheral Interface (SPI) bus, an Ethernet connection, a RS-485 bus, etc.). Controller 104 sends commands and messages to one or more control structures within user interface 80 that carry out the selective activation and deactivation of indirect lights 78b and/or reminder lights 94. As will be discussed more below, the activation of indirect lights 78b is typically carried out in synchrony with indirect lights 78a, direct lights 102, and, in at least some situations, icon lights 68. Controller 104 is configured to process instructions stored in memory 106 to control operation of user interface 62 and lights 68, 78a-b, 94, and 102. Controller 104 also controls what screens are shown on display 64a.

[0094] Power to the patient support apparatus 30 is provided by an external power source 108 or a battery power supply 110. An alternating current (A/C) power cord 112 provides power from the external power source 108 to the patient support apparatus 30 and is plugged into a corresponding outlet (e.g., wall outlet 114, FIG. 1) to receive external power.

[0095] Patient support apparatus 30 includes a wireless network transceiver 116 (FIG. 4), such as, but not limited to, a Wi-Fi transceiver 116 adapted to wirelessly communicate with one or more wireless access points 118 of a conventional healthcare facility network 120. The wireless access points 118 are adapted to communicate with a hospital network 120 (e.g. a local area network or LAN) of the facility in which the patient support apparatus 30 is located. Controller 104 is thereby able to use network transceiver 116 to send signals to and receive signals from one or more servers located on hospital network 120.

[0096] Patient support apparatus 20 also includes a nurse call interface 122 for communicatively coupling patient support apparatus 30 to a conventional nurse call system. Conventional nurse call systems typically include one or more nurse call servers 124 coupled to the hospital network 120, one or more nurse call outlets 126 positioned in each patient room, wiring coupling the nurse call outlets 126 to nurse call server 124, and other structures. In some embodiments, nurse call interface 122 is a wired interface adapted to couple to, and communicate with, nurse call outlet 126 via a nurse call cable 128. A first end of cable 128 is coupled to nurse call interface 122 and the other end is coupled to nurse call outlet 126. One example of such a wired nurse call interface is the cable interface disclosed in more detail in commonly assigned U.S. Patent Application Publication No. 2018/0293849, filed on April 4, 2018 and entitled "Patient Support Apparatuses with Reconfigurable Communication,".

[0097] In other embodiments, nurse call interface 122 is a wireless interface adapted to communicate wirelessly with nurse call outlet 126. Several examples of wireless nurse call interfaces 122 that enable wireless communication between patient support apparatus 30 and an adjacent nurse call outlet 126 are disclosed in the following commonly assigned patent references and may be implemented in patient support apparatus 30 herein: U.S. Patent Application Publication No. 2016/0038361, filed on August 6, 2015 and entitled "Patient Support Apparatuses with Wireless Headwall Communication"; U.S. Patent Application No. 16/217,203, filed on December 12, 2018 and entitled "Smart Hospital Headwall System"; U.S. Patent Application No. 16/193,150, filed on November 16, 2018 and entitled "Patient Support Apparatuses with Location/Movement Detection"; and U.S. Patent Application No. 16/215,911, filed on December 11, 2018 and entitled "Hospital Headwall Communication System,". Still other types of wireless or wired nurse call interfaces may, of course, be used.

[0098] A sensor system S comprising one or more sensors 130, 132, 134, 136, 138, 140, 142, 144 is integrated into the patient support apparatus 30 to generate one or more signals corresponding to the various states of the monitored conditions. Controller 104 issues commands to user interfaces 62, 80 and the lights 68, 78a-b, 94, 102 based on the signals that controller 104 receives from sensor system S. Thus, sensor system S provides inputs to controller 104 of the various states of different components of patient support apparatus 30 and controller 104 uses that state data to output commands to user interfaces 62, 80, and/or the lights 68, 78a-b, 94, 102.

[0099] Sensor system S includes one or more force sensors 130, side rail sensors 132, HOB angle sensors 134, height sensors 136, brake sensors 138, power source sensors 140, WiFi connections sensors 142, and nurse call connection sensors 144. Force sensors 130 output signals in response to downward forces exerted onto support deck 38 by the patient and/or objects, and force sensors 130 may be implemented as load cells, although other types of force sensors may be used. Side rail sensors 132 output signals that indicate a current position of side rails 44, 46, 48, 50 so that controller 104 can determine whether the side rails 44, 46, 48, 50 are in the raised position (up), lowered position (down), or in one of the intermediate positions.

[00100] HOB angle sensor 134 outputs signals that indicate a current angle of the back section 41 so that controller 104 can determine whether the back section 41 is at or above a preset angle relative to the support frame 36 or at less than the preset angle. Height sensors 136 output signals that indicate a current height of the support frame 36 so that controller 104 can determine whether patient support apparatus 30 is at the lowest height or not. Brake sensors 138 output signals that indicate whether the brake are active (on) or inactive (off). Power source sensors 140 output signals that indicate whether or not the AC power plug that provides power from the external power source 108 to patient support apparatus 30 is plugged into a corresponding outlet (e.g., wall outlet) to receive external power. The Wi-Fi connection sensors 142 output signals that indicate whether the Wi-Fi transceiver 116 is connected or disconnected to the wireless access point 118 (or a specific server on network 120). Nurse call sensor 144 outputs signals that indicate whether the nurse call interface 122 is connected to the nurse call outlet 126 or disconnected from the nurse call outlet 126.

[00101] These sensors 130, 132, 134, 136, 138, 140, 142 may include one or more load cells, pressure sensors such as piezoelectric and piezoresistive sensors, Hall Effect sensors, capacitive sensors, resonant sensors, thermal sensors, limit switches, gyroscopes, accelerometers, motion sensors, ultrasonic sensors, range sensors, potentiometers, magnetostrictive sensors, electrical current sensors, voltage detectors, and/or any other suitable types of sensors for carrying out their associated functions.

[00102] Force sensors 130 are part of an exit detection system 150 that determines if the occupant has exited patient support apparatus 30. Force sensors 130 can also be part of a scale system that detects the weight of an occupant of patient support apparatus 30, the details of which are not described herein. Force sensors 130 are adapted to detect downward forces exerted on the patient support surface 42, i.e. by an occupant of support deck 38. Thus, when an occupant is positioned on support deck 38 and substantially still (i.e. not moving in a manner involving accelerations that cause forces to be exerted

against support deck 38), force sensors 130 will detect the weight of the occupant. Force sensors 130 can also be used to determine a center of gravity of the occupant in order to determine if the occupant is about to exit patient support apparatus 30. In alternative embodiments, the outputs from force sensors 130 are analyzed, not to determine a center of gravity, but instead to determine a weight distribution and/or a change in weight distribution, such as by determining one or more ratios of the relative weights sensed by force sensors 130 and using them to determine if the occupant is about to exit patient support apparatus 30. In still other embodiments, force sensors 130 may be modified to detect forces other than, or in addition to, the downward forces exerted by the occupant. Other types of sensors may additionally or alternatively be used for determining if the patient has exited, or is about to exit.

[00103] The particular structural details of exit detection system 150 can vary widely. In some embodiments, exit detection system 150 is constructed in accordance with the exit detection system described in U.S. Patent No. 5,276,432, issued January 4, 1994, entitled "Patient Exit Detection Mechanism for Hospital Bed,". In such embodiments, exit detection system 150 may include multiple zones that trigger an alert when the patient's center of gravity travels outside of the zone. In this manner, exit detection system is able to have its sensitivity selected by the caregiver. Other types of exit detection systems may also or alternatively be used.

[00104] Exit detection system 150 is configured to be armed and disarmed. When armed, exit detection system 150 issues an alert when the occupant exits patient support surface 42, or is about to exit patient support apparatus 30. In response to the alert issued by exit detection system 150, controller 104 flashes lights 68, 78a-b, and 102 (and in some cases, reminder light 94) in a red color. Controller 104 may also display an exit detection alert screen on display 64a which includes portions that are red and that flash in synchrony with lights 68, 78a-b, and 102.

[00105] When flashing lights 68, controller 104 is configured in at least one embodiment to only flash the icon light 68 that is positioned behind the icon corresponding to the condition that is alerting. Thus, when exit detection system 150 detects a patient exit and issues an alert, controller 104 is configured to flash only the light 68 positioned behind icon 70a (which corresponds to the exit detection system 150). The lights 68 positioned behind the other icons 70b-g may remain activated (or deactivated) in whatever manner in which they were previously activated (or deactivated) immediately prior to the exit detection alert. Thus, for example, if the icon light 68 positioned behind brake icon 70e was previously activated to display a steady green color prior to exit detection system 150 issuing an alert, controller 104 is configured in at least one embodiment to continue to keep light 68 steadily activated with a green color while it flashes the light 68 (red) behind exit detection alert icon 70a during the exit detection alert.

[00106] User interface 62 communicates with controller 104 and allows the caregiver to control various aspects of exit detection system 150, such as, but not limited to, arming or disarming exit detection system 150, customizing a setting of exit detection system 150, such as customizing a sensitivity level of exit detection system 150, and cancelling an alert issued by exit detection system 150. Other customizable settings for exit detection system 150 are possible.

[00107] Bed monitor system 152 comprises a collection of sensors and a processing unit, such as controller 104, that processes the outputs from the collection of sensors to determine if any one or more of the components monitored by the sensors are in an undesired state. If any one or more are in an undesired state, and bed monitoring system 152 is armed, it issues an alert. In some embodiments, bed monitoring system 152 includes side rail sensors 132, HOB angle sensors 134, height sensors 136, and brake sensors 138. Other types of sensors may additionally or alternatively be used for determining the state of one or more monitored conditions of the patient support apparatus 30. The particular structural details of bed monitor system 152 can vary widely. An exemplary bed monitor system is described in U.S. Patent No. 8,844,076, filed on January 27, 2014, entitled "Patient Handling Device Including Local Status Indication, One-Touch Fowler Angle Adjustment, and Power-On Alarm Configuration,". Other types of bed monitor systems may be used.

[00108] Bed monitor system 152 is configured to be armed and disarmed. When armed, bed monitor system 152 issues an alert when at least one monitored condition of the patient support apparatus 30 is in an undesired state, which may include when one or more of the side rails are down, when the HOB angle is less than the preset angle, when the bed is not flat, or when the brake are not engaged. Controller 104 is configured, in at least one embodiment, to synchronously flash lights 78a, 78b, and 102 in an amber color when bed monitor system 152 issues an alert. Controller 104 may further be configured to synchronously flash the icon light 68 positioned behind bed monitor icon 70b in an amber color when bed monitor system 152 issues an alert.

[00109] User interface 62 communicates with controller 104 and enables the caregiver to control one or more aspects of bed monitor system 152. User interface 62 allows the caregiver to control various aspects of bed monitor system 152, such as, but not limited to, navigating to a bed monitor control screen, arming or disarming bed monitor system 152, and cancelling an alert issued by bed monitor system 152. Display 64a displays information regarding bed monitor system 152, such as, but not limited to, displaying a bed monitor control screen, and displaying an alert issued by bed monitor system 152.

[00110] FIG. 2 illustrates one example of a motion control screen 154 that can be displayed on display 64a. Motion control screen 154 includes a plurality of controls, some or all of which can include touchscreen controls, non-touchscreen controls, or a combination thereof. The controls perform a variety of different functions, and the number, function, lay-out, size, and/or other characteristics of these controls may vary from what is shown in FIG. 2, and may also vary depending upon what screen is being displayed at a given time by display 64a. Motion control screen 154 may be displayed initially after the patient support apparatus 30 is powered on or switches to a wake mode, as explained in more detail below, or it may be displayed in response to a caregiver navigating to it from another screen.

[00111] In some embodiments, controller 104 displays an exit detection control screen (not shown) or a bed monitor control screen (not shown) on display 64a. The exit detection control screen is used by a caregiver or other user to control aspects of exit detection system 150, and can include an arming control that enables the caregiver to arm and/disarm exit detection system 150. The bed monitor control screen is used by a caregiver or other user to control aspects of bed monitor system 152, and can include an arming control that enables the user to arm and/disarm bed monitor system 152.

[00112] For some embodiments, controller 104 operates display 64a in multiple different modes, including a sleep mode and a wake mode. Controller 104 activates display 64a when the patient support apparatus 30 is in the wake mode and deactivates display 64a when the patient support apparatus 30 is in the sleep mode. Controller 104 switches from the wake mode to the sleep mode after a predetermined time period of inactivity at user interfaces 62, 80 has elapsed, i.e. after a timeout period. When in the sleep mode, controller 104 switches back to the wake mode and activates display 64a upon detecting that the user has touched display 64a, or another portion of any of user interfaces 62, 80.

[00113] During operation of patient support apparatus 30, controller 104 is configured to repetitively check to see whether each component in a set of components is in its desired state and, if any one or more of them are not, to issue a reminder to the caregiver to place the components in their desired state. In at least one embodiment, the set of components and their desired states includes the following: exit detection system 150 (armed); bed monitoring system 152 (armed), brake 61 (activated), and power cord 112 (plugged into an electrical outlet). It will be understood that this set of components may be varied in different embodiments and that, in some of those different embodiments, the set of components that are repetitively monitored by controller 104 for reminder purposes may be customized by users of patient support apparatus 20. It will further be understood that the monitoring of the set of components for reminder purposes is carried out automatically and repetitively at all times that patient support apparatus 20 is powered on, and not just at times when display 64a is in the wake mode.

[00114] Still further, it will be understood that the repetitive monitoring of the set of components for reminder purposes is different from the monitoring that is carried out by monitoring system 152. The monitoring that is carried out by monitoring system 152 is only carried out when monitoring system 152 is armed. Additionally, the monitoring that is carried out by system 152 may be of a different set of components and/or conditions than the set of components that controller 104 monitors for reminder purposes. For example, in many embodiments, monitoring system 152 monitors the position of one or more side rails 44, 46, 48, and/or 50, while controller 104 is not configured to monitor the side rails (in at least one embodiment) for reminder purposes. Still further, the consequences of the monitoring carried out by controller 104 for purposes of reminders and for purposes of monitoring system 152 are different. If controller 104 detects a component that is in an undesired state for purposes of its reminder monitoring, it issues a reminder. In contrast, if controller 104 detects a component that is in an undesired state as defined by monitoring system 152, it issues an alert, rather than a reminder. As mentioned previously, controller 104 is configured, in at least some embodiments, to flash lights 68, 78a-b, and/or 102 in response to an alert, and to pulse lights 68, 78a-b, and/or 102 in response to a reminder.

[00115] In addition to issuing a reminder via the pulsing of lights 68, 78a-b, and/or 102, controller 104 is configured to issue a reminder by displaying a reminder screen on display 64a. The particular reminder screen is, in at least one embodiment, different for each of the different components that patient support apparatus 30 is configured to issue reminders for. Thus, for example, if brake 61 is deactivated, controller 104 displays a brake reminder screen, and if AC power cord 112 is not plugged in, controller 104 displays an AC power cord reminder screen that is different. Examples of the types of reminder screens that are displayable by controller 104 on display 64a are shown in FIGS. 5-10 and described in further detail below.

[00116] Before turning to the individual reminder screens shown in FIGS. 5-10, it should be noted that controller 104, in at least one embodiment, is configured to display a corresponding reminder screen only once during a wake session of display 64a. That is, once display 64a is awake, controller 104 displays a reminder screen if any of the components for which reminders are set is in an undesired state. If the reminder screen is dismissed by the user (discussed more below), controller 104 does not display the reminder screen again unless display 64a first switches the sleep mode and then back to the wake mode. Upon re-entering the wake mode, controller 104 is configured to issue these reminder screens for any components that are not in their desired state when display 64a re-awakens. In this manner, a caregiver is typically only reminded once with a reminder screen for any given interaction with patient support apparatus 30, thereby allowing the caregiver to use display 64a for other functions while still reminding the caregiver of tasks that should be completed. In contrast, and as will be discussed more below, the pulsing of lights 68, 78a-b, and/or 102 continues at all times that patient support apparatus 30 is detected to not be in a proper configuration, regardless of whether a reminder screen is being displayed on display 64a and regardless of whether display 64a is in the wake mode or sleep mode.

[00117] Some non-limiting examples of reminder screens are provided in the FIGS. 5-10. It will be understood that the particular layouts of the reminder screens shown in FIGS. 5-10 are but one of a large variety of different ways in which controller 104 may present a reminder screen. It will also be understood that the display of any of the reminder screens of FIGS. 5-10 may occur shortly, or immediately, after display 64a switches from the sleep mode to the wake mode if the corresponding component was in the undesired state while display 64a was in the sleep mode. On the other hand, if the corresponding component is initially in its desired state when display 64a is woken from the sleep mode to the wake mode, the corresponding reminder screen will not be displayed until, and if, the user switches the state of the corresponding component to its undesired state. Still further, in some instances, the reminder screen may not be displayed at all if the only time the corresponding component is in its undesired state is when display 64a is in the sleep mode. In at least one alternative embodiment, however, the reminder screens of FIGS. 5-10 are also displayed when display 64a is in the sleep mode and a change to the undesired state occurs. In this alternative embodiment, the change to the corresponding undesired state acts as a trigger for waking display 64a, and controller 104 displays the corresponding reminder screen in response to this trigger.

[00118] FIG. 5 is an illustrative brake reminder screen 156 that is displayed on display 64a of user interface 62 of FIG. 2 when controller 104 detects that brake 61 is deactivated. Brake reminder screen 156 includes an activation control 158 and an ignore control 160. Upon user-activation of the activation control 158, controller 104 is operable to turn brake 61 on. The activation control 158 controls the state of brake 61, and automatically changes the state of the brake to the desired state, e.g. the engaged or on state. Upon user-activation of the ignore control 160, controller 104 is operable to clear the reminder screen 156 and does not turn brake 61 on. After clearing the reminder screen 156, controller 104 is operable to display the motion control screen 154 or another previously displayed screen on display 64a, or otherwise enable the caregiver to use user interface 62, and does not turn brake 61 on. The pulsing of lights 68, 78a-b, and/or 102 that is simultaneously triggered (with the display of brake reminder screen 156) by brake 61 being in the undesired state continues after reminder screen 156 is cleared, and continues until not only brake 61 is in its desired state, but all of the components for which reminders are issued are in their respective desired states.

[00119] FIG. 6 is an illustrative nurse call reminder screen 162 that may be displayed on display 64a of user interface 62 of FIG. 2 when nurse call cable 128 is not connected to a nurse call outlet 126, or wireless communication between patient support apparatus 30 and the nurse call outlet 126 is not functioning. Nurse call reminder screen 162 includes an ignore control 164. Upon user-activation of the ignore control 164, controller 104 is operable to clear the reminder screen 162. After clearing the reminder screen 162, controller 104 is operable to display the motion control screen 154 or another previously displayed screen on display 64a, or otherwise enable the caregiver to use user interface 62. Controller 104 is also operable to clear the reminder screen 162 if the caregiver couples nurse call interface 122 to the nurse call outlet 126 while the reminder screen 162 is being displayed.

[00120] In some embodiments, controller 104 does not synchronously pulse lights 68, 78a-b, or 102 in response to nurse call interface 122 being disconnected from nurse call outlet 126. Instead, in such embodiments, controller 104 activates the icon light 68 behind nurse call icon 70f and leaves it activated until the nurse call interface 122 is connected to the nurse call outlet 126, regardless of whether or not reminder screen 162 is cleared or not. The activation of the light 68 behind nurse call icon 70f may be carried out such that that light emits an amber color. Further, the activation of the amber color may be steady or pulsed.

[00121] FIG. 7 is an illustrative power source reminder screen 166 that may be displayed on display 64a of user interface 62 of FIG. 2. Controller 104 displays power source reminder screen 166 on display 64a when the power cord 112 is unplugged and the patient support apparatus 30 is not receiving external power from the external power source 108. Power source reminder screen 166 includes an ignore control 168. Upon user-activation of the ignore control 168, controller 104 is operable to clear the reminder screen 166. After clearing the reminder screen 166, controller 104 is operable to display the motion control screen 154 or another previously displayed screen on display 64a, or otherwise enable the caregiver to use user interface 62. Controller 104 is also operable to clear the reminder screen 166 if the caregiver plugs in the power cord 112 while the reminder screen 166 is being displayed. The pulsing of lights 68, 78a-b, and/or 102 that is simultaneously triggered (with the display of power source reminder screen 166) by power cord 112 being unplugged continues after reminder screen 166 is cleared, and continues until not only power cord 112 is plugged into an electrical outlet, but also until all of the components for which reminders are issued are in their respective desired states.

[00122] FIG. 8 is an illustrative Wi-Fi reminder screen 170 that may be displayed on display 64a of user interface 62 of FIG. 2. Controller 104 displays Wi-Fi reminder screen 170 on display 64a when the patient support apparatus 30 is not connected to Wi-Fi, e.g. if the Wi-Fi transceiver 116 is disconnected from a wireless access point 118 (or a server on network 120). Wi-Fi reminder screen 170 includes an ignore control 172. Upon user-activation of the ignore control 172, controller 104 is operable to clear the reminder screen 170. After clearing the reminder screen 170, controller 104 is operable to display the motion control screen 154 or another previously displayed screen on display 64a, or otherwise enable the caregiver to use user

interface 62. Controller 104 is also operable to clear the reminder screen 170 if the caregiver connects the patient support apparatus 30 to Wi-Fi while the reminder screen 170 is being displayed.

[00123] In some embodiments, controller 104 does not synchronously pulse lights 68, 78a-b, or 102 in response to wireless transceiver 116 being disconnected from local area network 120. Instead, in such embodiments, controller 104 activates the icon light 68 behind wireless communication icon 70g and leaves it activated until the network transceiver 116 is able to communicate with local area network 120, regardless of whether or not reminder screen 170 is cleared or not. The activation of the light 68 behind wireless communication icon 70g may be carried out such that that light emits an amber color. Further, the activation of the amber color may be steady or pulsed.

[00124] FIG. 9 is an illustrative bed exit reminder screen 174 that may be displayed on display 64a of user interface 62 of FIG. 2. Controller 104 displays bed exit reminder screen 174 on display 64a when all three of the following conditions occur: exit detection system 150 is disarmed, a patient is present on patient support apparatus 30, and memory 106 includes a desired arming state for exit detection system 150. That is, in at least one embodiment, patient support apparatus 30 is configurable by users to have a desired state for exit detection system 150. If the user desires exit detection system 150 to always be armed, the user is able to set this desired state in memory 106 by, for example, accessing the screen shown in FIG. 11 and making the desired configuration, as discussed more below with respect to FIG. 11. If the user does not set the desired state of exit detection system 150 to an armed state, then controller 104 does not display reminder screen 174.

[00125] Bed exit reminder screen 174 includes an arming control 176, an off control 178, and an ignore control 180. Upon user-activation of the arming control 176, controller 104 is operable to arm exit detection system 150 and clear the reminder screen 182. Upon user-activation of the off control 178, controller 104 is operable to erase the desired arming state of exit detection system 150 (at least for the patient currently assigned to patient support apparatus 30), which is stored in memory 106, as noted above. Upon user-activation of the ignore control 180, controller 104 is operable to clear the reminder screen 174 and does not arm exit detection system 150. After clearing the reminder screen 174, controller 104 is operable to display the motion control screen 154 or another previously displayed screen on display 64a, or otherwise enable the caregiver to use user interface 62. The pulsing of lights 68, 78a-b, and/or 102 that is simultaneously triggered (with the display of bed exit reminder screen 174) by exit detection system 150 being disarmed continues after reminder screen 174 is cleared, and continues until not only exit detection system 150 is armed, but all of the components for which reminders are issued are in their respective desired states.

[00126] FIG. 10 is an illustrative bed monitor reminder screen 182 that may be displayed on display 64a of user interface 62 of FIG. 2. Controller 104 displays bed monitor reminder screen 182 on display 64a when all three of the following conditions occur: bed monitor system 152 is disarmed, a patient is present on patient support apparatus 30, and memory 106 includes a desired arming state for bed monitoring system 152. That is, in at least one embodiment, patient support apparatus 30 is configurable by users to have a desired state for bed monitoring system 152. If the user desires bed monitoring system 152 to always be armed, the user is able to set this desired state in memory 106 by, for example, accessing the screen shown in FIG. 11 and making the desired configuration, as discussed more below with respect to FIG. 11. If the user does not set the desired state of bed monitoring system 152 to an armed state, then controller 104 does not display reminder screen 174.

[00127] Bed monitor reminder screen 182 includes an arming control 184, an off control 186, and an ignore control 188. Upon user-activation of the arming control 184, controller 104 is operable to arm bed monitor system 152 and clear the reminder screen 182. Upon user-activation of the off control 186, controller 104 is operable to turn off the bed monitor protocol for the current patient and clear the reminder screen 182. Upon user-activation of the ignore control 188, controller 104 is operable to clear the reminder screen 182 and does not arm bed monitor system 152. After clearing the reminder screen 182, controller 104 is operable to display the motion control screen 154 or another previously displayed screen on display 64a, or otherwise enable the caregiver to use user interface 62. The pulsing of lights 68, 78a-b, and/or 102 that is simultaneously

triggered (with the display of bed monitor reminder screen 182) by bed monitor system 152 being disarmed continues after reminder screen 182 is cleared, and continues until not only bed monitor system 152 is armed, but all of the components for which reminders are issued are in their respective desired states.

[00128] From the foregoing description, it can be seen that controller 104 is configured to issue a plurality of different reminder screens when various components of patient support apparatus 30 are in undesired states. For many of these components, patient support apparatus 30 is configured to also pulse lights 68, 78a-b, and 102 to serve as a visual reminder to the caregiver, and to continue to pulse these lights until all of the components of the patient support apparatus 30 are in their desired state. In this manner, lights 68, 78a-b, and 102 continue to be pulsed while the caregiver may be busy performing other duties, and this continued pulsing serves as a gentle, yet persistent, reminder that he or she needs to change at least one more condition of patient support apparatus 30 before it will be in its desired state. To see which specific condition(s) need to be changed, he or she can consult dashboard 64b and see which of icons 70a-g are being illuminated in an amber color. Those icons 70a-g that correspond to components that are in their desired states are illuminated with a green color. Dashboard 64b therefore provides an easy to read visual indicator of what, if any, components are not currently in their desired states.

[00129] As mentioned previously, patient support apparatus 30 is configurable by caregivers to always issued reminders to arm exit detection system 150 and/or monitoring system 152 when controller 104 detects that either or both of these systems are disarmed. This is accomplished by accessing a floor setting screen 190, such as shown in FIG. 11.

[00130] FIG. 11 is an illustrative floor settings screen 190 that is displayable on display 64a of user interface 62 of FIG. 2. Access to screen 190 may be accomplished by selecting a settings control (not shown) provided on the motion control screen 154 or on another screen shown on display 64a, or elsewhere on user interface 62. Floor settings screen 190 includes multiple controls for selecting whether arming of exit detection system 150 is required or is not required for new patients, whether arming of bed monitor system 152 is required or is not required for new patients, and the preset angle for the head-of-bed (HOB) angle for new patients. The settings for the new patient protocol are stored in memory 106.

[00131] The floor settings screen 190 includes setting controls 192a, 192b and associated indicators 194a, 194b for each of the settings that can be selected. In the illustrated example, a first setting control 192a is associated with exit detection system 150 and a second setting control 192b is associated with bed monitor system 152. Text and/or graphics, or other forms of visual content, are associated with the setting controls 192a, 192b, to indicate which of the settings correspond to which control.

[00132] The setting indicators 194a, 194b show whether the associated setting is currently being applied or not. The setting indicators 194a, 194b are generated on the screen 190 in a first color or with a first graphic when the associated setting is currently being applied and in a second color or with second graphic when the associated setting is not currently being applied. In the illustrated example of screen 190, the exit detection system setting control 192a and the bed monitor system setting control 192b are both currently being applied, and their associated indicators 194a, 194b are generated on the screen 190 in green with a check mark. When a setting is not selected, the associated indicator is generated on the screen 190 in gray without a check mark. The setting indicators 194a, 194b may alternatively employ text or graphics, or other forms of visual content, to indicate the currently applied settings.

[00133] With the setting controls 192a, 192b selected as shown in FIG. 11, the desired state of both exit detection system 150 and bed monitor system 152 is the armed state, and controller 104 will issue a reminder to remind the caregiver to arm these systems 150, 152 if the patient is present on the patient support apparatus 30 and either system 150, 152 is disarmed.

[00134] Floor settings screen 190 also includes at least one state control for selecting the preset desired state and/or undesired state for one or more of the monitored conditions of the patient support apparatus 30, shown herein as including a HOB angle state control 196. Pressing the state control can change the preset value for the monitored condition. For example,

pressing HOB angle state control 196 switches the preset HOB angle between 30 degrees and 45 degrees. In FIG. 11, the preset HOB angle is shown as being 30 degrees. Upon user-activation of the HOB angle state control 196, controller 104 is operable to change the default preset HOB angle to 45 degrees. Subsequent selection of the HOB angle preset state control 196 changes the default preset HOB angle back to 30 degrees. In some embodiments, bed monitoring system 152 monitors the HOB angle and, when armed, issues an alert if the HOB angle dips below the threshold chosen on floor settings screen 190.

[00135] The floor settings screen 190 also includes a return control 198 for returning to the motion control screen 154 (FIG. 2). Upon user-activation of the return control 198, controller 104 is operable to display the motion control screen 154 on display 64a.

[00136] FIGS. 12A-12B depict a flow diagram of a reminder management algorithm 200 executed by controller 104. Reminder management algorithm 200 controls what form the various reminders take, when they are issued, and what effect, if any, they may have on other functionality of patient support apparatus 30. In some embodiments, only a single reminder screen is displayed at a given time. In such situations, if multiple components are in their undesired states simultaneously, controller 104 displays the reminder screens serially. The particular order in which the reminder screens are displayed may be configurable by the user and/or changed in different embodiments.

[00137] Algorithm 200 starts at a start step 202 (FIG. 12A). As noted previously, algorithm 200 is configured in at least one embodiment to be substantially continuously executed upon power up of patient support apparatus 30. Accordingly, start step 202 commences, in at least some embodiments, at the time, or shortly after the time, patient support apparatus 30 is powered on.

[00138] From step 202, controller 104 proceeds to step 204 where it determines if brake 61 (FIG. 1) is on and if nurse call interface 122 (FIG. 4) is communicatively coupled to a nurse call outlet 126. This determination is made based on input from the brake sensors 138 and the nurse call sensors 144. If it is determined that brake 61 is on and the nurse call interface 122 is connected, controller 104 proceeds to step 204. If brake 61 is off and/or nurse call interface 122 is not communicatively coupled to nurse call outlet 126, controller proceeds to step 206.

[00139] At step 206, controller 104 displays the corresponding reminder screen (e.g. reminder screen 156 of FIG. 5 or reminder screen 162 of FIG. 6) and begins pulsing lights 68, 78a, b, and 102 if brake 61 is off (and if these lights were not previously pulsing). If these lights were previously pulsing, controller 104 continues to pulse them. If brake 61 is on but nurse call interface 122 is not communicatively coupled to a nurse call outlet 126, controller 104, in at least one embodiment, is configured to not pulse lights 68, 78a,b and 102, but instead activates the light 68 behind nurse call icon 70f in a steady amber color.

[00140] It will be understood that, for all of the steps of algorithm 200 that refer to the pulsing of lights (including, but not limited to, step 206), such pulsing refers to the synchronous pulsing of lights 68, 78a, b, and 102 that creates the breathing or glowing effect previously described. Further, it will be understood that all references to the pulsing of lights 68 refer to, in at least some embodiments, the pulsing of the specific icon light 68 that corresponds to the component that is not in its desired state. Thus, if brake 61 is off, controller 105 pulses the icon light 68 at step 206 that is positioned behind icon 70e. If the other components corresponding to the other icons 70a-d and 70f-g are all in their desired state, controller 104 illuminates the lights 68 behind these icons in a steady green color. Thus, only the icons 70a-g that correspond to components not in their desired state are pulsed, in at least some embodiments. In other embodiments, the icons 70a-g that correspond to components not in their desired state are steadily illuminated in an amber color. In still other embodiments, some icons 70a-g that correspond to components not in their desired state are pulsed while others of those icons 70a-g that correspond to components not in their desired state are illuminated with a steady color, such as amber. Still other variations are possible

[00141] After step 206 (FIG. 12A), controller 104 proceeds to step 208 wherein it determines if the caregiver has ignored the reminder or corrected the state of brake 61 and/or nurse call interface 122. For example, if controller 104

determines that the ignore control 160 on the brake reminder screen 156 has been selected or that the ignore control 164 on the nurse call reminder screen 162 has been selected, then controller 104 proceeds to step 210. At step 210, controller 104 clears the reminder screen 156 and/or 162 from display 64a, but continues to pulse the lights (if they were pulsed at step 206). Clearing reminder screen 156 and/or 162 allows the caregiver to utilize display 56a for performing other tasks, including taking corrective action with respect to brake 61.

[00142] After step 210, controller 104 proceeds to step 212 and prevents the arming of exit detection system 150 and/or bed monitor system 152. When brake 61 is not engaged or the nurse call interface 122 is disconnected, patient support apparatus 30 is configured to prevent exit detection system 150 and/or bed monitor system 152 from being armed. If the state of brake 61 and/or nurse call interface 122 are later corrected, controller 104 re-enables arming of exit detection system 150 and/or bed monitor system 152. This feature encourages the caregivers to remember to arm brake 61.

[00143] If, at step 208, controller 104 determines that the brake activation control 158 on the brake reminder screen 156 has been selected and/or that the nurse call interface 122 has been connected to a nurse call outlet 126, then controller 104 proceeds to step 214 in which the reminder is cancelled. Cancelling the reminder at step 214 includes clearing the reminder screen. It may also include ceasing the pulsing of the lights 68, 78a,b, and 102, depending upon the conditions of the other components that are monitored for reminders by controller 104, as will be discussed further below in more detail with respect to step 260. From step 214, controller 104 proceeds to step 204.

[00144] It is noted that while FIG. 12A shows the state of brake 61 and the nurse call interface 122 being checked simultaneously at step 202, this is merely done for purposes of visual brevity, and that controller 104 actually checks these states serially, and that it may do so in any order. Additionally, algorithm 200 may be modified to only check the state of brake 61 or only check the state of the nurse call interface 122, or in some embodiments, to skip step 202 altogether.

[00145] At step 204 (FIG. 12A), controller 104 determines if the patient support apparatus 30 is plugged in, e.g. if the power cord 112 is plugged into the wall outlet 114 (FIG. 1) and is receiving external power from the external power source 108, based on signals from the power source sensors 140. If it is determined that the patient support apparatus 30 is plugged in to the external power source 108, controller 104 proceeds to step 216 and determines if the patient support apparatus 30 is connected to Wi-Fi.

[00146] If, at step 204, controller 104 determines that patient support apparatus 30 is unplugged, controller 104 proceeds to step 218 and issues a reminder to plug in the power cord 112. In one example, the power cord reminder comprises displaying the power cord reminder screen 166 (FIG. 7) on display 64a and pulsing lights 68, 78a, 78b, and 102.

[00147] After step 218, controller 104 proceeds to step 220 and determines if the caregiver has ignored the reminder or corrected the state of the power cord 112. For example, if controller 104 determines that the ignore control 168 on the power reminder screen 166 has been selected, then controller 104 proceeds to step 222 and clears the reminder screen 166. Controller 104, however, continues to pulse the lights 68, 78a, b, and 102 at step 222. The clearance of the reminder screen and continued pulsing of the lights allows the caregiver to operate user interface 62, including display 64a, while still reminding the caregiver that corrective action should be taken.

[00148] If, at step 220 (FIG. 12A), controller 104 determines that the power cord 112 has been plugged in, then controller 104 proceeds to step 224 in which the reminder is cancelled. Cancelling the reminder at step 224 includes clearing the power reminder screen 166 from display 64a. Cancelling the reminder at step 224 may also include ceasing the pulsing of the lights 68, 78a,b, and 102, depending upon the conditions of the other components that are monitored for reminders by controller 104, as will be discussed further below in more detail with respect to step 260. From step 224, controller 104 proceeds to step 216.

[00149] At step 216, controller 104 determines if the patient support apparatus 30 is connected to Wi-Fi, e.g. if the Wi-Fi transceiver 116 is connected to the wireless access point 118 (FIG. 3), based on input from the Wi-Fi connection sensor

142. If it is determined that the patient support apparatus 30 is connected to Wi-Fi, then controller 104 proceeds to step 236 (FIG. 12B).

[00150] If, at step 216 (FIG. 12A), controller 104 determines that patient support apparatus 30 is not connected to Wi-Fi, controller 104 proceeds to step 226 and issues a reminder. In one example, the Wi-Fi reminder comprises displaying the Wi-Fi reminder screen 170 (FIG. 8) on display 64a and pulsing lights 68, 78a, 78b, and 102. In another embodiment, the reminder issued at step 226 omits pulsing of the lights 68, 78a, 78b, and 102, and instead only illuminates the specific icon light 68 positioned behind icon 70g in an amber color. Other variations may, of course, be implemented.

[00151] After issuing the reminder at step 226, controller 104 proceeds to step 228 where it determines if the caregiver has ignored the reminder or corrected the state of the Wi-Fi connection. For example, if controller 104 determines that the ignore control 172 on the Wi-Fi reminder screen 170 has been selected, then controller 104 proceeds to step 230 and clears the Wi-Fi reminder screen 170 from display 64a so that the caregiver can use user interface 62. In some embodiments, controller 104 continues to pulse lights 68, 78a, 78b, and 102. In other embodiments, controller 104 merely keeps icon 70g illuminated in a steady amber color at step 230. In either embodiment, the clearance of the reminder screen and the continued activation of one or more lights allows the caregiver to operate user interface 62, including display 64a, while still reminding the caregiver that corrective action should be taken.

[00152] If, at step 234, controller 104 determines that the Wi-Fi transceiver 116 has successfully established communication with the wireless access point 118 (and/or a specific server on network 120), then controller 104 proceeds to step 240 in which the reminder is cancelled. Cancelling the issued reminder at step 234 includes clearing the Wi-Fi reminder screen 170 from display 64a. Cancelling the reminder at step 234 may also include ceasing the pulsing of the lights 68, 78a,b, and 102, depending upon the conditions of the other components that are monitored for reminders by controller 104, as will be discussed further below in more detail with respect to step 260. Cancelling the issued reminder at step 234 may also, or alternatively, include changing the activation of the icon light 68 positioned behind icon 70g to a steady green color.

[00153] From step 216, controller 104 proceeds to step 236, which is illustrated in FIG. 12B. At step 236, controller 104 determines if personnel at the healthcare facility (e.g. caregivers) have configured patient support apparatus 30 to issue reminders for arming exit detection system 150 and/or monitoring system 152. This is determined by consulting memory 106, which stores the settings selected by the caregiver, or other authorized personnel, using floor setting screen 190 (FIG. 11). If controller 104 determines at step 236 that neither exit detection system 150 nor bed monitoring system 152 are to be armed, it proceeds to step 260 (FIG. 12A). If controller 104 determines at step 236 that one or both of these systems 150 and/or 152 are to be armed, it proceeds from step 236 to step 238.

[00154] It is noted that while FIG. 12B shows the desired arming states for exit detection system 150 and bed monitor system 152 being checked simultaneously at step 236, it is to be understood that algorithm 200 checks these states serially and in any order. When checking these serially, controller 104 may check a first one of these systems at step 236 and thereafter execute steps 238 through 258 of algorithm 200 before returning to step 236 and checking the second one of these systems. Further, in some embodiments, algorithm 200 may be modified to only check the desired arming state for exit detection system 150 or may only check the desired arming state for bed monitor system 152.

[00155] At step 238 (FIG. 12B), controller 104 determines if there is a patient on the patient support apparatus 30, based at least in part on input from the force sensors 130 (FIG. 4). If it is determined that there is no patient on patient support apparatus 30, controller 104 proceeds to step 260 (FIG. 12A). If it is determined at step 238 that a patient is present on patient support apparatus 30, controller 104 proceeds to step 240 and determines if exit detection system 150 and/or bed monitor system 152 is armed. In some embodiments, a delay may be followed by controller 104 before proceeding from step 238 to step 240 in order to give the caregiver some time between the patient entering patient support apparatus 30 and the issuance of a reminder to arm exit detection system 150 and/or monitor system 152.

[00156] If, at step 240 (FIG. 12B), it is determined that exit detection system 150 and/or bed monitor system 152 is armed, the controller proceeds to step 260 (FIG. 12A). If, at step 240, it is determined that either of exit detection system 150 or bed monitor system 152 is disarmed, then controller 104 proceeds to step 242 and issues a reminder to the caregiver to arm one or both of the systems 150, 152. The reminder comprises displaying the corresponding reminder screen on display 64a (e.g. bed exit reminder screen 174 (FIG. 9) or bed monitor reminder screen 182 (FIG. 10)). The reminder also includes pulsing lights 68, 78a, 78b, and 102

[00157] From step 242, controller 104 proceeds to step 244 and determines if the caregiver has ignored the reminder, turned off the desired arming state for system 150 and/or 152, or corrected (e.g. armed) the state of one or both of the systems 150, 152. For example, if controller 104 determines that the ignore control 180 on the bed exit reminder screen 174 has been selected or that the ignore control 188 on the bed monitor reminder screen 182 has been selected, then controller 104 proceeds to step 258. At step 258 controller 104 clears the reminder screen 166, but continues to pulse the lights 68, 78a, b, and 102. The clearance of the reminder screen and continued pulsing of the lights allows the caregiver to operate user interface 62, including display 64a, while still reminding the caregiver that corrective action should be taken.

[00158] If, at step 244 (FIG. 12B), controller 104 determines that the off control 178 on the bed exit reminder screen 174 has been selected or that the off control 186 on the bed monitor reminder screen 182 has been selected, then controller 104 proceeds to step 256. At step 256, controller 104 clears the reminder screen from display 64a and changes the desired arming state for exit detection system 150 and/or 152 in memory 106. Thus, off control 186 provides a supplemental manner for a caregiver to change the desired arming states of system 150, 152 (in addition to floor setting control screen 190 (FIG. 11)). In some embodiments, the change to the desired arming states made at step 256 carries over to all future iterations of algorithm 200 until a new patient is assigned to patient support apparatus 30. In other embodiments, the change to the desired arming states made at step 256 carries over to all future iterations of algorithm 200, including new patients that are assigned to patient support apparatus 30. From step 256, controller 104 proceeds to step 260 (FIG. 12A).

[00159] If, at step 244 (FIG. 12B), controller 104 determines that the arming control 176 on the bed exit reminder screen 174 has been selected or that the arming control 184 on the bed monitor reminder screen 182 has been selected, then controller 104 proceeds to step 246 and checks if the patient is settled on the patient support apparatus 30. Controller 104 determines if the patient is settled on the patient support surface 42 based on input from the force sensors 130, and in some embodiments, from one or more other sensors of sensor system S. If the patient is not settled within a predetermined time period, for example within 5, 10, 15, 20, 25 seconds, or another predetermined period of time, controller 104 proceeds to step 250, and does not arm exit detection system 150 and/or bed monitor system 152.

[00160] At step 250, controller 104 issues an alert indicating that exit detection system 150 and/or bed monitor system 152 cannot be armed. This alert is issued, in at least some embodiments, by flashing lights 68, 78a, 78b, and 102 in an amber color, rather than pulsing these lights in an amber color. Controller 104 continues to flash lights 68, 78a, 78b, and 102 at step 250 until the patient settles and the corresponding system 150 and/or 152 can be armed. Once the patient is settled and the system 150, 152 can be armed, controller 104 ceases the flashing of the lights 68, 78a, 78b, and 102 and returns them to the state they were in prior to flashing them at step 250 (which may be a pulsing state, a deactivated state, or some other state, depending on the current conditions of the components of patient support apparatus 30).

[00161] When controller 104 determines that the patient has settled at step 246 (FIG. 12B), it proceeds to step 252 and arms the corresponding system 150 and/or system 152. From step 252 it proceeds to step 252 where it clears the reminder screen from display 64a. Step 254 may also include ceasing the pulsing of the lights 68, 78a,b, and 102, depending upon the conditions of the other components that are monitored for reminders by controller 104, as will be now be discussed with respect to step 260.

[00162] From step 254, controller 104 proceeds to step 260 (FIG. 12A). At step 260, controller 104 determines if all of the conditions in the set of conditions that are monitored for purposes of issuing reminders are in their respective desired states. In the particular embodiment shown in FIGS. 12A and 12B of algorithm 200, this includes checking to see if brake 61 is activated, if nurse call interface 122 is coupled to nurse call outlet 126, if power cable 112 is plugged into an electrical outlet, if network transceiver 116 is in communication with network 120, and if exit detection system 150 and bed monitor system 152 are both armed. If the answer to all of these question is yes (i.e. all of these components are in their desired states), controller 104 proceeds to step 262 and stops the pulsing of lights 68, 78a, 78b and 102 (to the extent they were previously pulsed). From step 262, controller 104 returns to step 202 and repeats the execution of algorithm 200. If the answer to the question at step 260 is no (i.e. at least one of the components is not in its desired state), controller 104 skips step 262 and returns to step 202 where it repeats the execution of algorithm 200. It can therefore be seen from steps 260 and 262 that controller 104 only ceases the pulsing of the lights 68, 78a, 78b, and 102 when patient support apparatus 30 has all of its components properly configured.

[00163] When controller 104 repeats algorithm 200 (i.e. starts at step 202 for a second or subsequent time), controller 104 does not re-display any of the reminder screens that it previously displayed during a previous iteration of algorithm 200, unless display 64a has been put to sleep between the initial display of the reminder screen and the subsequent iteration of algorithm 200. In other words, controller 104 is configured such that any and all of the reminder screens are only displayed once during a given session of display 64a being awake. In this manner, the caregiver is not presented with the same reminder screen re-appearing. Instead, the reminder screen(s) only appear once and then never appear again so long as display 64a remains in the wake mode. If and only if display 64a goes to sleep will controller 104 re-display any one or more of the reminders screens that were displayed before display 64a went to sleep. The caregiver is therefore presented with a particular reminder screen only once while continuously utilizing display 64a (e.g. using it sufficient to keep it awake), which reminds the caregiver but, other than the single time the reminder screen is displayed, does not interfere with the caregiver's usage of display 64a and/or user interface 62.

[00164] In many embodiments, controller 104 also activates lights 68, 78a-b, and 102 in additional situations beyond those specifically discussed above. For example, in one embodiment, controller 104 is configured to flash lights 68, 78a-b, and 102 once (such as in a green color) when any one of the following occurs: (1) support frame 36 is lowered to its lowest height; (2) back section 41 is pivoted to its threshold HOB angle (e.g. 30 degrees, 45 degrees, etc.); (3) a weight reading has been successfully taken of the patient's weight, and (4) equipment has been successfully added to, or removed from, a weight log maintained by patient support apparatus 30 of non-patient weight(s). With respect to this last function (adding and removing weight from a weight log), controller 104 and/or another controller onboard patient support apparatus 30 may be configured to implement an add/remove weight log function, several examples of which are disclosed in commonly assigned U.S. patent application serial number 62/885,954, filed August 13, 2019, by inventors Kurosh Nahavandi et al. and entitled PATIENT SUPPORT APPARATUS WITH EQUIPMENT WEIGHT LOG. Other types of weight log add/remove functions may alternatively or additionally be used.

[00165] In some embodiments, controller 104 is also configured to activate lights 68, 78a-b, and 102 in a steady, green color when both exit detection system 150 and bed monitor system 152 are armed (or only one of these is armed if the user has utilized screen 190 of FIG. 11 to change the desired arming state—stored in memory 106—of the other one of these systems to be a disarmed state). This steady, green activation of lights 68, 78a-b, and 102 only occurs when all of the reminder conditions are in their proper state. Thus, the caregiver will see a steady green light around most of the external perimeter of patient support apparatus 30 only when patient support apparatus 30 has been properly configured and the desired systems 150, 152 have been armed. The steady green light therefore provides an easily visible confirmation to the caregiver that everything on the patient support apparatus 30 has been properly configured, and the lack of the steady green light (e.g. a

pulsing amber light, or some other illumination state) indicates that the patient support apparatus 30 is not completely configured in its desired manner.

[00166] Lights 68, 78a-b, and 102 are also used to indicate when an alert condition is detected by exit detection system 150 and/or bed monitor system 152. When exit detection system 150 detects that a patient has exited from patient support apparatus 30, controller 104 flashes lights 68, 78a-b, and 102 in a red color. When bed monitor system 152 detects that one or more of the components monitored by system 152 are in an undesired state, controller 104 flashes lights 68, 78a-b, and 102 in an amber color. Still other manners of using lights 68, 78a-b, and 102 may also or alternatively be implemented.

[00167] In addition to controlling lights 68, 78a-b, and 102, controller 104 is further configured, in at least some embodiments, to control a light positioned behind brake control 92 on side rail user interface 80 (FIG. 3). In such embodiments, controller 104 may be configured to pulse this light in an amber color, and to do so in synchrony with the pulsing of lights 68, 78a-b, and 102, when brake 61 is deactivated. Additionally, controller 104 may be configured to activate this light to a white color when brake 61 is activated (or in some cases, to a green color). If side rail user interface 80 is modified to include additional controls beyond what is shown in FIG. 3 that correspond to any of the conditions that trigger reminder screens (discussed above), controller 104 may be configured to activate lights positioned behind such controls on side rail user interface 80 in the same manners as it activates lights 68, 78-ab, and 102, as discussed above.

[00168] In addition to controlling the activation of lights 68, 78a-b, and 102, controller 104 may also be configured to control one or more sounds emitted by a beeper and/or a speaker positioned onboard patient support apparatus 30. In such embodiments, controller 104 may be configured to emit a single beep whenever bed monitor system 152 is triggered (i.e. detects an undesired condition), whenever the brake 61 is deactivated, whenever the AC power cord 112 is unplugged, whenever support frame 36 is lowered to its lowest height; whenever back section 41 is pivoted to its threshold HOB angle (e.g. 30 degrees, 45 degrees, etc.), whenever a weight reading has been successfully taken of the patient's weight, and whenever equipment has been successfully added to, or removed from, a weight log maintained by patient support apparatus 30 of non-patient weight(s). Controller 104 may additionally, or alternatively, be configured to emit a continuous beeping when exit detection system 150 detects a patient's exit and/or when exit detection system 150 cannot be armed due to, for example, a patient not settling (see steps 248 and 250 of algorithm 200; FIG. 12B). This continuous beeping is configured to continue until the caregiver corrects the situation and/or turns off the corresponding alerting system 150, 152.

[00169] It will be understood by those skilled in the art that algorithm 200 may be substantially modified from what is shown in FIGS. 12A-B. For example, the specific set of conditions for which reminders are issued may be modified. Additionally, the order shown in these figures in which the conditions are checked may be changed. Algorithm 200 may also be changed such that controller 104 makes different selections for which conditions lead to the pulsing of lights 68, 78a-b, and 102 versus which conditions only lead to the display of a light on dashboard 64b. In other words, controller 104 may be configured to pulse lights 68, 78a-b, and 102 when any of the conditions illustrated on dashboard 64b (FIG. 2) are in an undesired state, or in alternative embodiments, any subset of these conditions.

[00170] Controller 104 may also delay issuing a reminder in response to a change in state of one or more of the monitored features, conditions, or components, such that patient support apparatus 30 does not indicate an undesired state in response to a momentary change in state. For example, the caregiver may deactivate brake 61 momentarily to adjust a position of the patient support apparatus 30, but then immediately reset brake 61 back to being active. This process may take no more than 30 seconds or less. Accordingly, controller 104 may monitor a time period once the state has changed and delay the associated notification of the state change until a predetermined period of time has elapsed. The predetermined period of time may be 5, 10, 15, 20, 25 seconds, or other predetermined period of time.

[00171] In some embodiments, patient support apparatus 30 is provided with an egress function, which can be activated by user-activation of egress control 84a on the side rail user interface 80, or optionally via the footboard user interface

62. The egress function allows the caregiver to move the components of support deck 38 and frame 36 into a position that allows easier exit from the apparatus 30, e.g. into an "egress orientation," with the intention that the patient will be exiting the apparatus 30. Accordingly, this can conflict with exit detection system 150 when it is armed, as the egress of the patient detected by the force sensors 130 causes the controller to issue an exit alert. FIG. 13 depicts an egress reminder algorithm 280 that controller 104 follows when the egress function is activated which can remind the caregiver to turn off exit detection system 150 if it is armed to prevent an undesired alert from being issued.

[00172] Egress reminder algorithm 280 begins a step 282 when the egress function is activated by the caregiver. Activation of the egress function comprises selection of egress control 84a (FIG. 3) on the side rail user interface 80. From step 282, controller 104 proceeds to step 284 and determines whether exit detection system 150 is armed or disarmed. If exit detection system 150 is disarmed, controller 104 proceeds to step 286 and moves the patient support apparatus 30 to the egress orientation. User-activation of egress control 84a transmits a signal to controller 104 that causes controller 104 to operate the actuators to move the support frame 36, patient support deck 38, patient support surface 42, and/or one or more deck sections 41, 43, 45, 47 to a position that allows the patient to exit the patient support apparatus 30 more easily. For example, controller 104 can raise the back section 41 and lower the support frame 36, patient support deck 38, and patient support surface 42 relative to the base frame 35, including to a lowest height relative to the base frame 35.

[00173] In embodiments of patient support apparatus 30 with powered side rails 44, 46, 48, 50, user-activation of egress control 84a can also result in moving one or more of the side rails 44, 46, 48, 50 in a manner to facilitate patient egress from the patient support apparatus 30, such as raising or lowering one or more of the side rails 44, 46, 48, 50 and/or re-orienting one or more of the side rails 44, 46, 48, 50 to make patient egress easier.

[00174] If exit detection system 150 is armed, from step 284 controller 104 proceeds to step 288 and activates the reminder light 94 and/or lights 102 in order to remind the caregiver to disarm exit detection system 150 prior to the patient egressing from the apparatus 30. After activation of the reminder light 94 and/or lights 102, controller 104 proceeds to step 286 and moves the patient support apparatus 30 to the egress orientation.

[00175] Once the patient support apparatus 30 is in the egress orientation, controller 104 proceeds to step 290 and the algorithm 280 ends. If, at any point after illumination of the reminder light 94 and/or lights 102, exit detection system 150 is disarmed, such as by user-activation of the arming/disarming control 96, controller 104 is configured to turn off the reminder light 94 and/or lights 102.

[00176] To the extent not already described, the different content and functions of the various control screens of patient support apparatus 30 may be used in combination with each other as desired, and/or the content and/or functions of one control screen may be applied to one or more other control screens. Further, the selected content shown in any particular control screen herein is not to be construed that it must have all of the content shown therein. For example, embodiments including the exit detection system, the bed monitor system, the user interfaces, the reminder screens, the reminder management, and the egress function can be implemented independently of each other or in any sub-combination on the patient support apparatus 30.

[00177] Various additional alterations and changes beyond those already mentioned herein can be made to the above-described embodiments. This disclosure is presented for illustrative purposes and should not be interpreted as an exhaustive description of all embodiments or to limit the scope of the claims to the specific elements illustrated or described in connection with these embodiments. For example, and without limitation, any individual element(s) of the described embodiments may be replaced by alternative elements that provide substantially similar functionality or otherwise provide adequate operation. This includes, for example, presently known alternative elements, such as those that might be currently known to one skilled in the art, and alternative elements that may be developed in the future, such as those that one skilled in

the art might, upon development, recognize as an alternative. Any reference to claim elements in the singular, for example, using the articles "a," "an," "the" or "said," is not to be construed as limiting the element to the singular.

CLAIMS

What is claimed is:

1. A patient support apparatus comprising:
 - a support structure having a patient support surface adapted to support a patient thereon;
 - a plurality of wheels to facilitate transport of the patient support apparatus over a floor surface;
 - an exit detection system configured to be armed and disarmed, the exit detection system adapted to issue an alert when the exit detection system is armed and the patient exits the patient support surface;
 - a sensor adapted to detect a state of a component of the patient support apparatus;
 - a display; and
 - a controller in communication with the sensor and the display, the controller configured to determine if the component is in a first state or a second state, to prevent the exit detection system from being armed when the component is in the first state, and to allow the exit detection system to be armed when the component is in the second state.
2. The patient support apparatus of claim 1 wherein the controller is configured to display a reminder screen on the display when the component is in the first state.
3. The patient support apparatus of claim 2 wherein the reminder screen comprises a state control configured to enable a user to change the state of the component from the first state to the second state upon user-activation of the state control.
4. The patient support apparatus of claim 2 wherein the reminder screen comprises an ignore control configured to enable a user to clear the reminder screen from the display upon user-activation of the ignore control.
5. The patient support apparatus of claim 2 wherein the controller is configured to clear the reminder screen from the display in response to the state of the component changing from the first state to the second state.
6. The patient support apparatus of claim 1 further comprising:
 - a first siderail including an inner surface facing the patient and an outer surface facing away from the patient;
 - a first light coupled to the outer surface of the first siderail;
 - a second siderail opposite the first siderail, the second siderail including an inner surface facing the patient and an outer surface facing away from the patient;
 - a second light coupled to the outer surface of the second siderail;
 - a third light coupled to a foot end of the support structure; and
 - wherein the controller is further adapted to pulse the first, second, and third lights in a synchronized manner until the component is changed to the second state.
7. The patient support apparatus of claim 6 wherein the controller is configured to pulse the first, second, and third lights in a sinusoidal manner having a frequency of greater than one pulse per second.
8. The patient support apparatus of claim 7 wherein the controller is further adapted to continue to pulse the first, second, and third lights after the component is changed to the second state if the exit detection system is unarmed, and to

continue to pulse the first, second, and third lights until the exit detection system is armed.

9. The patient support apparatus of claim 6 wherein the component is a brake, the sensor is a brake sensor, the first state is a state in which the brake is deactivated, and the second state is a state in which the brake is activated.

10. The patient support apparatus of claim 6 wherein the component is a nurse call interface configured to communicatively couple to a nurse call system outlet mounted to a headwall of a healthcare facility, the sensor is a nurse call communication sensor adapted to detect if the nurse call interface is communicatively coupled to the nurse call system outlet, the first state is a state in which the nurse call interface is not communicatively coupled to the nurse call system outlet, and the second state is a state in which the nurse call interface is communicatively coupled to the nurse call system outlet.

11. The patient support apparatus of claim 10 wherein the nurse call communication sensor is a sensor adapted to detect if a nurse call cable is coupled between the nurse call interface and the nurse call system outlet.

12. The patient support apparatus of claim 6 wherein the controller is further configured to flash the first, second, and third lights in a synchronized manner when the exit detection system is armed and the patient exits the patient support surface, the controller configured to flash the first, second, and third lights at a different frequency from a frequency at which the controller is configured to pulse the first, second, and third lights.

13. The patient support apparatus of claim 12 wherein the controller is further configured to flash the first, second, and third lights in a non-sinusoidal manner.

14. The patient support apparatus of claim 12 wherein the controller is further configured to flash the first, second, and third lights in a different color than the controller is configured to pulse the first, second, and third lights.

15. A patient support apparatus comprising:
a support structure having a patient support surface adapted to support a patient thereon;
a plurality of wheels to facilitate transport of the patient support apparatus over a floor surface;
a monitoring system configured to be armed and disarmed, the monitoring system adapted to monitor a plurality of conditions of the patient support apparatus and to issue an alert, when armed, if any of the plurality of monitored conditions changes to an undesired status;
a sensor adapted to detect a state of a component of the patient support apparatus;
a display; and
a controller in communication with the sensor and the display, the controller configured to determine if the component is in a first state or a second state, to prevent the monitoring system from being armed when the component is in the first state, and to allow the monitoring system to be armed when the component is in the second state.

16. The patient support apparatus of claim 15 wherein the controller is configured to display a reminder screen on the display when the component is in the first state.

17. The patient support apparatus of claim 16 wherein the reminder screen comprises a state control configured

to enable a user to change the state of the component from the first state to the second state upon user-activation of the state control.

18. The patient support apparatus of claim 16 wherein the reminder screen comprises an ignore control configured to enable a user to clear the reminder screen from the display upon user-activation of the ignore control.

19. The patient support apparatus of claim 16 wherein the controller is configured to clear the reminder screen from the display in response to the state of the component changing from the first state to the second state.

20. The patient support apparatus of claim 15 further comprising:
a first siderail including an inner surface facing the patient and an outer surface facing away from the patient;
a first light coupled to the outer surface of the first siderail;
a second siderail opposite the first siderail, the second siderail including an inner surface facing the patient and an outer surface facing away from the patient;
a second light coupled to the outer surface of the second siderail;
a third light coupled to a foot end of the support structure; and
wherein the controller is further adapted to pulse the first, second, and third lights in a synchronized manner until the component is changed to the second state.

21. The patient support apparatus of claim 20 wherein the controller is configured to pulse the first, second, and third lights in a sinusoidal manner having a frequency of greater than one pulse per second.

22. The patient support apparatus of claim 20 wherein the controller is further adapted to continue to pulse the first, second, and third lights after the component is changed to the second state if the monitoring system is unarmed, and to continue to pulse the first, second, and third lights until the monitoring system is armed.

23. The patient support apparatus of claim 20 wherein the component is a brake, the sensor is a brake sensor, the first state is a state in which the brake is deactivated, and the second state is a state in which the brake is activated.

24. The patient support apparatus of claim 20 wherein the component is a nurse call interface configured to communicatively couple to a nurse call system outlet mounted to a headwall of a healthcare facility, the sensor is a nurse call communication sensor adapted to detect if the nurse call interface is communicatively coupled to the nurse call system outlet, the first state is a state in which the nurse call interface is not communicatively coupled to the nurse call system outlet, and the second state is a state in which the nurse call interface is communicatively coupled to the nurse call system outlet.

25. The patient support apparatus of claim 24 wherein the nurse call communication sensor is a sensor adapted to detect if a nurse call cable is coupled between the nurse call interface and the nurse call system outlet.

26. The patient support apparatus of claim 20 wherein the controller is further configured to flash the first, second, and third lights in a synchronized manner when the monitoring system is armed and any of the plurality of monitored conditions changes to the undesired status, the controller configured to flash the first, second, and third lights at a different frequency from a frequency at which the controller is configured to pulse the first, second, and third lights.

27. The patient support apparatus of claim 26 wherein the controller is further configured to flash the first, second, and third lights in a non-sinusoidal manner.

28. The patient support apparatus of claim 26 wherein the controller is further configured to flash the first, second, and third lights in a different color than the controller is configured to pulse the first, second, and third lights.

29. A method of operating a patient support apparatus comprising an exit detection system configured to be armed and disarmed, the exit detection system adapted to issue an alert when the exit detection system is armed and a patient exits the patient support apparatus, the method comprising:

determining if a component of the patient support apparatus is in a first state or a second state, the first state comprising a state in which the exit detection system is not ready to be armed and the second state comprising a state in which the exit detection system is ready to be armed; and

automatically disabling an arming control on a user interface of the patient support apparatus for arming the exit detection system upon a determination that the component is in the first state in which the exit detection system is not ready to be armed.

30. A method of operating a patient support apparatus comprising a monitoring system configured to be armed and disarmed, the monitoring system adapted to monitor a selected state of a first component of the patient support apparatus and to generate an alert when the monitoring system is armed and the first component changes out of the selected state, the method comprising:

determining if a second component of the patient support apparatus is in a first state or a second state, the first state comprising a state in which the monitoring system is not ready to be armed and the second state comprising a state in which the monitoring system is ready to be armed; and

automatically disabling an arming control on a user interface of the patient support apparatus for arming the monitoring system upon a determination that the second component is in the first state in which the monitoring system is not ready to be armed.

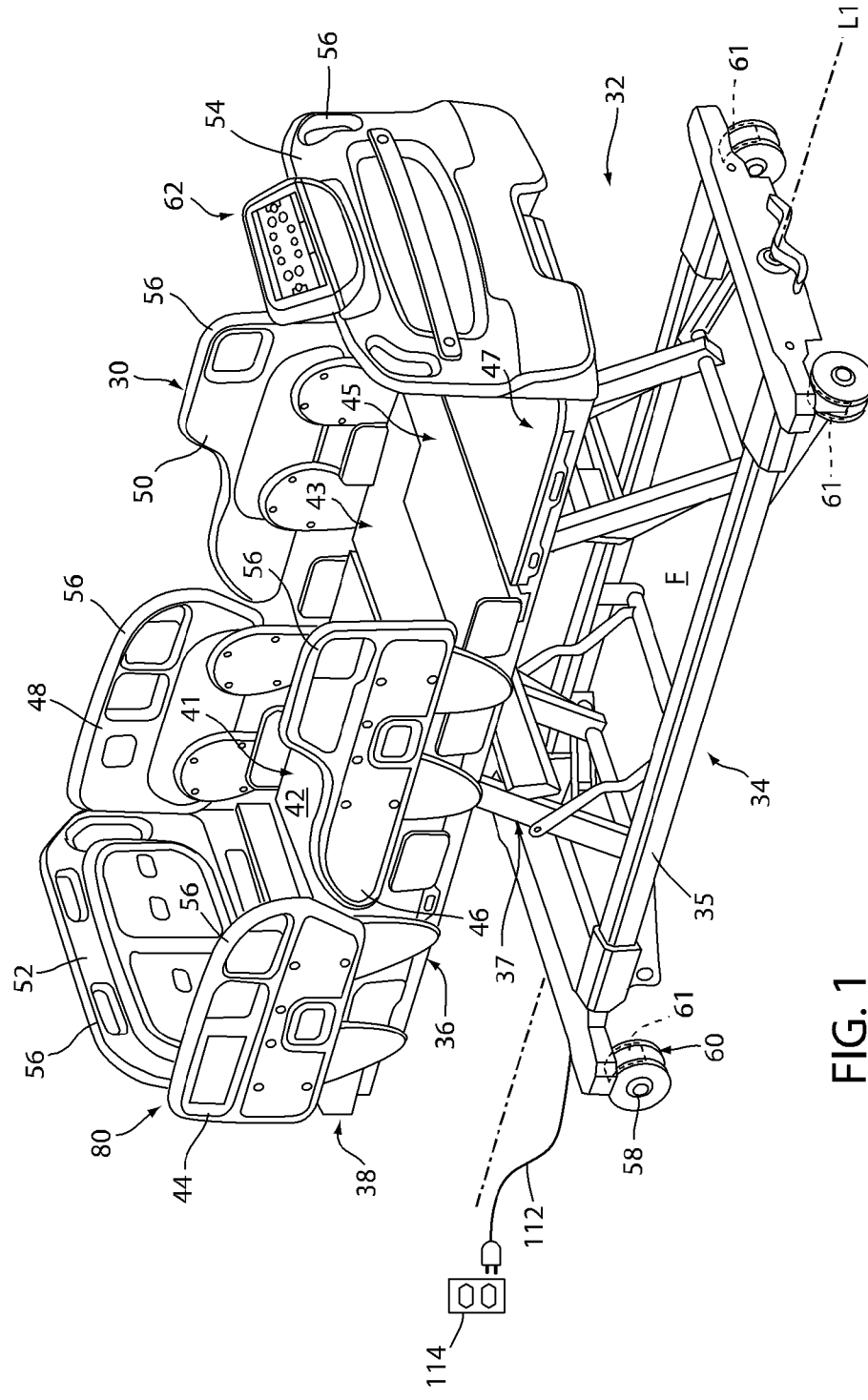


FIG. 1

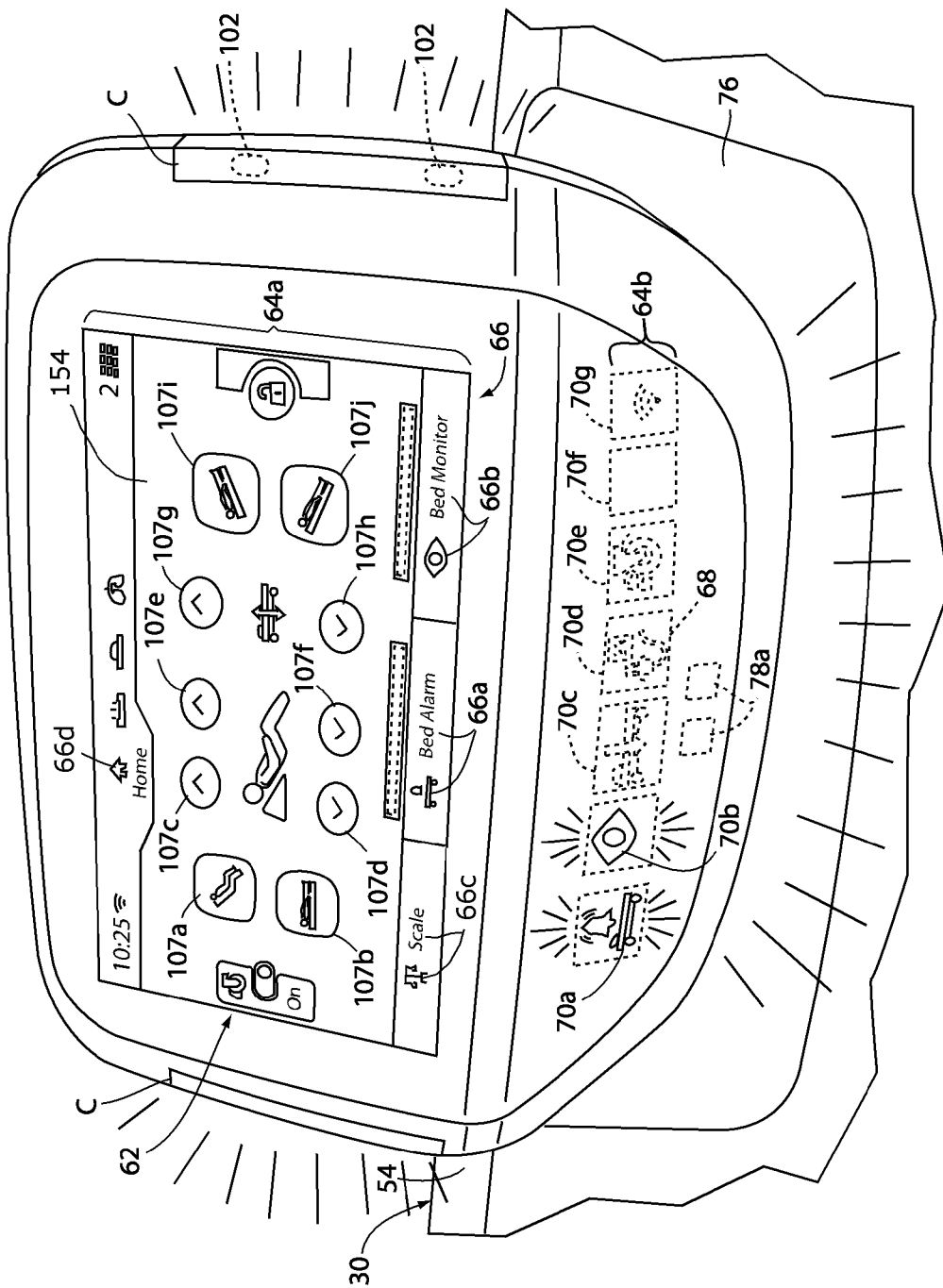


FIG. 2

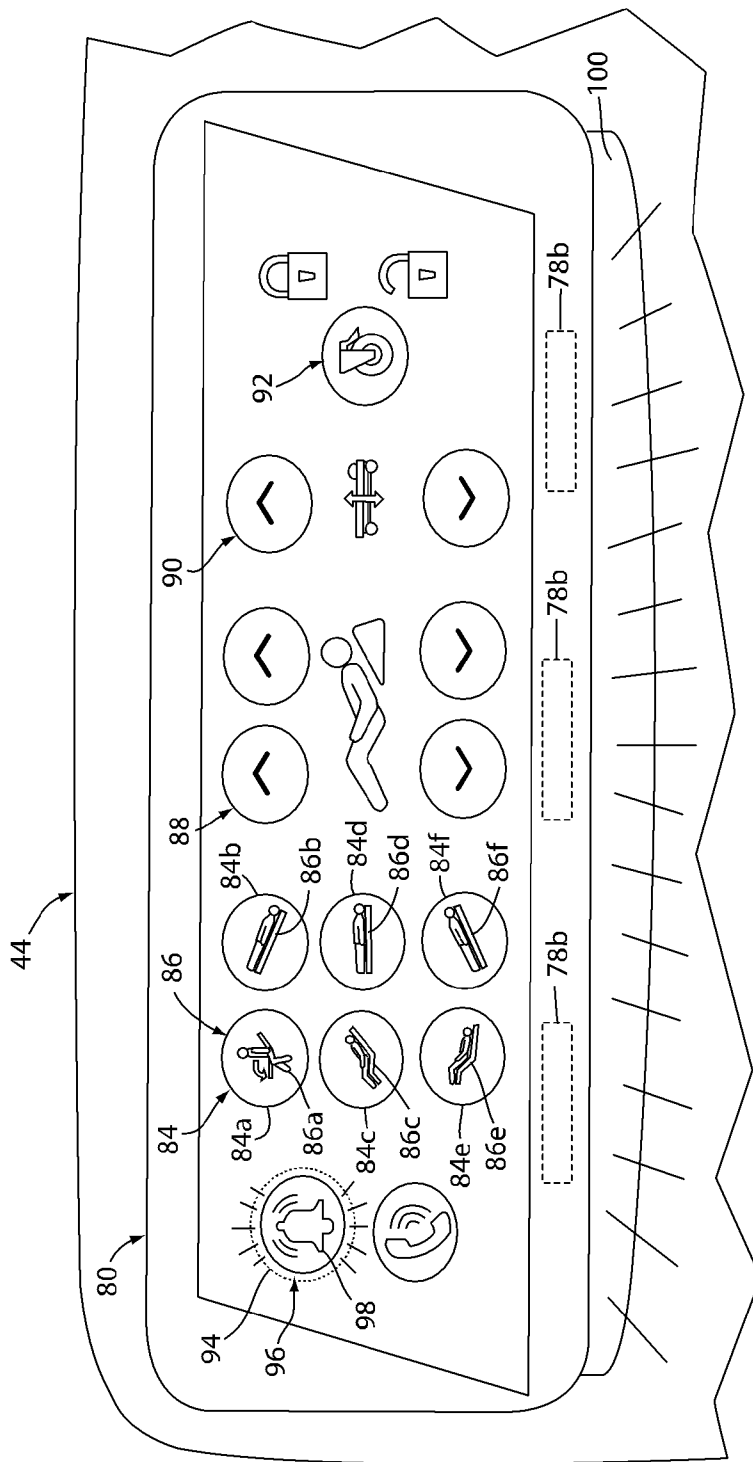


FIG. 3

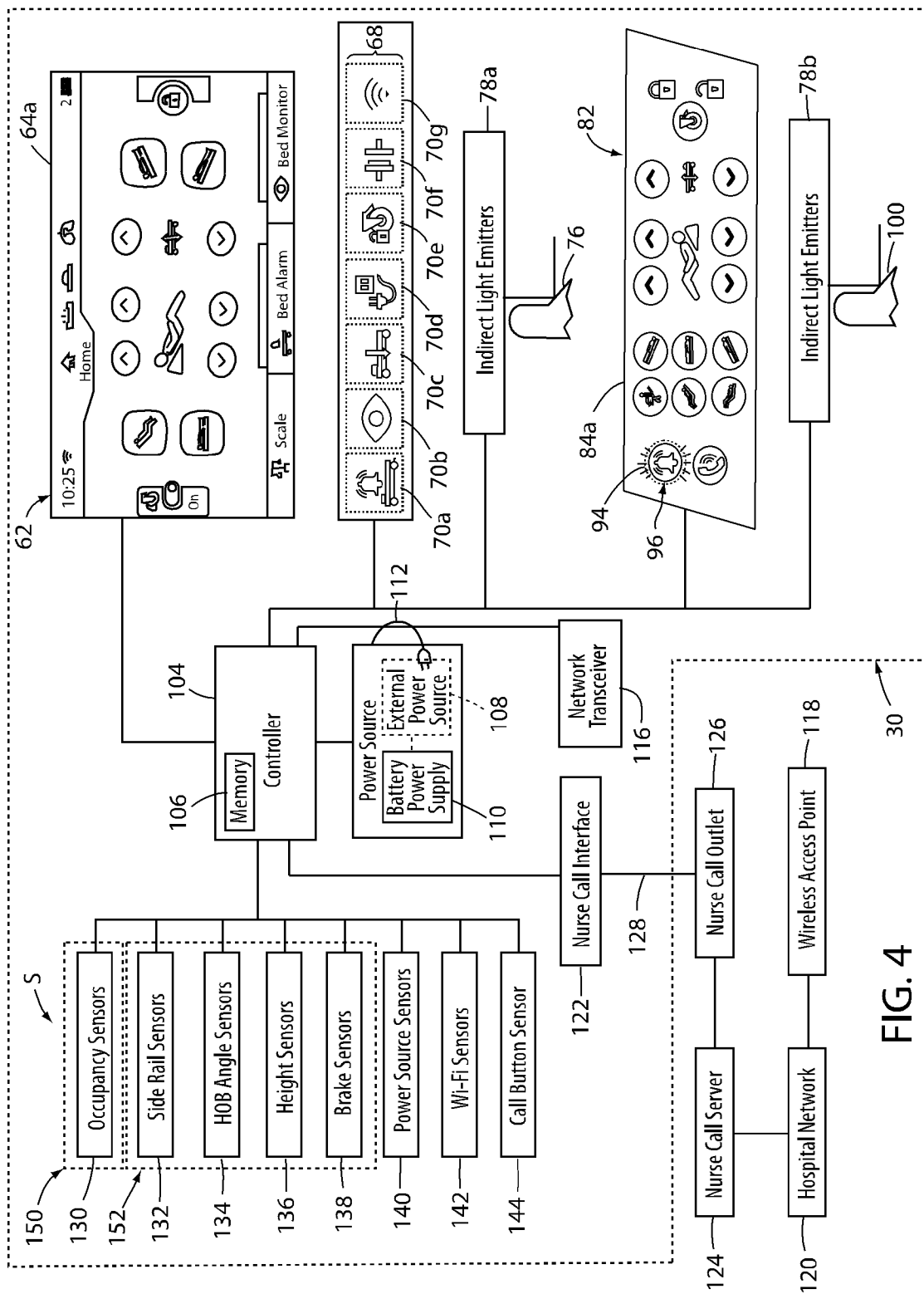


FIG. 4

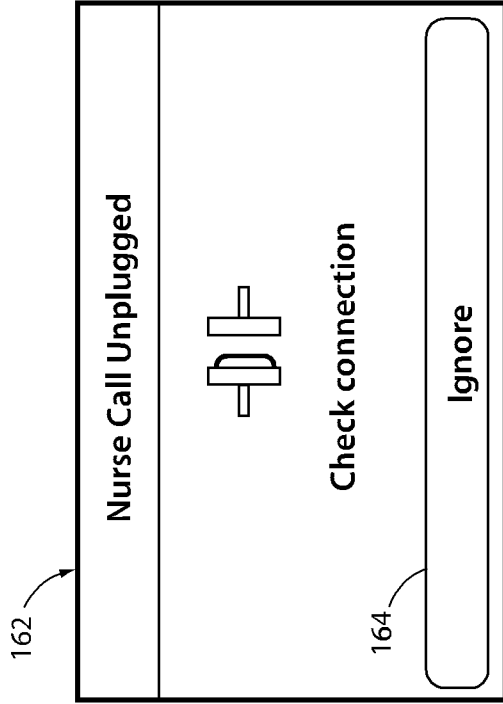


FIG. 6

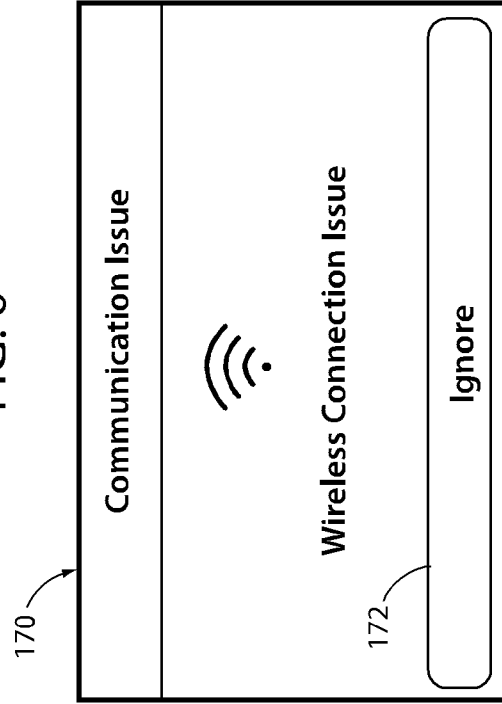


FIG. 8

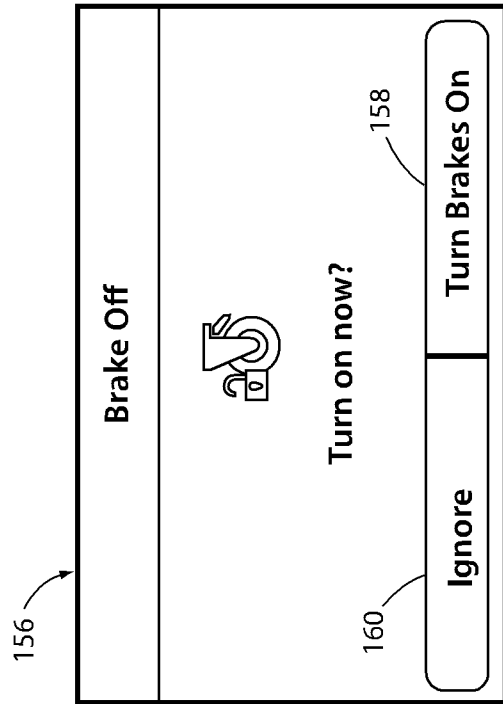


FIG. 5

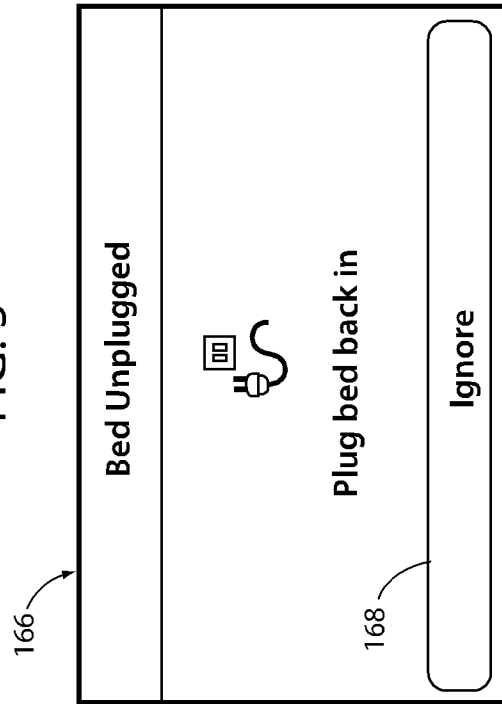


FIG. 7

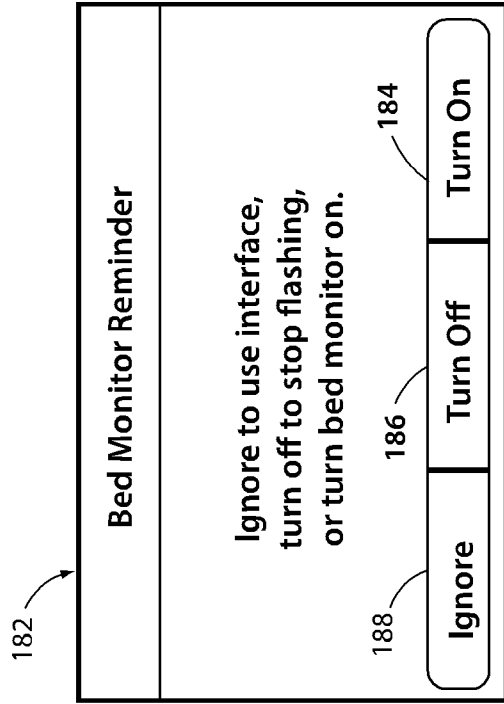


FIG. 10

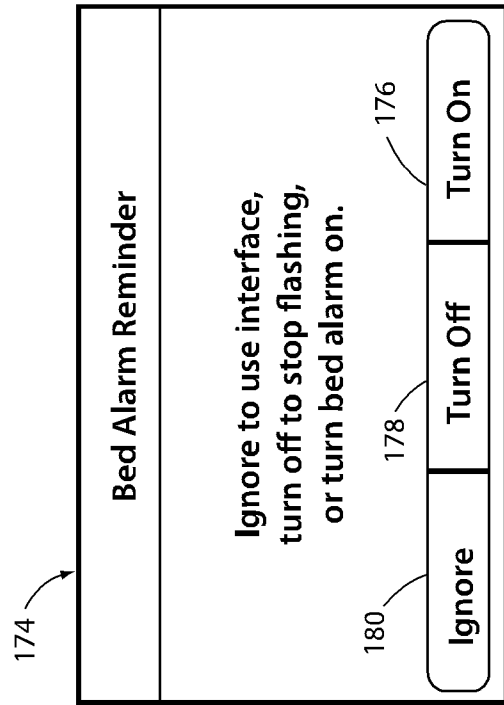


FIG. 9

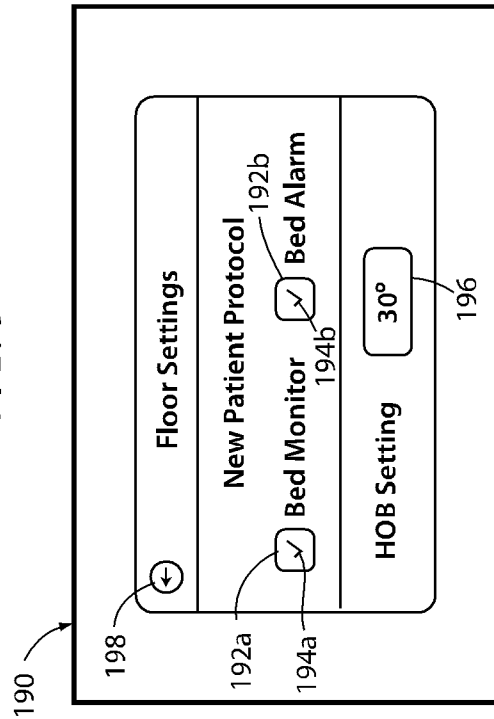


FIG. 11

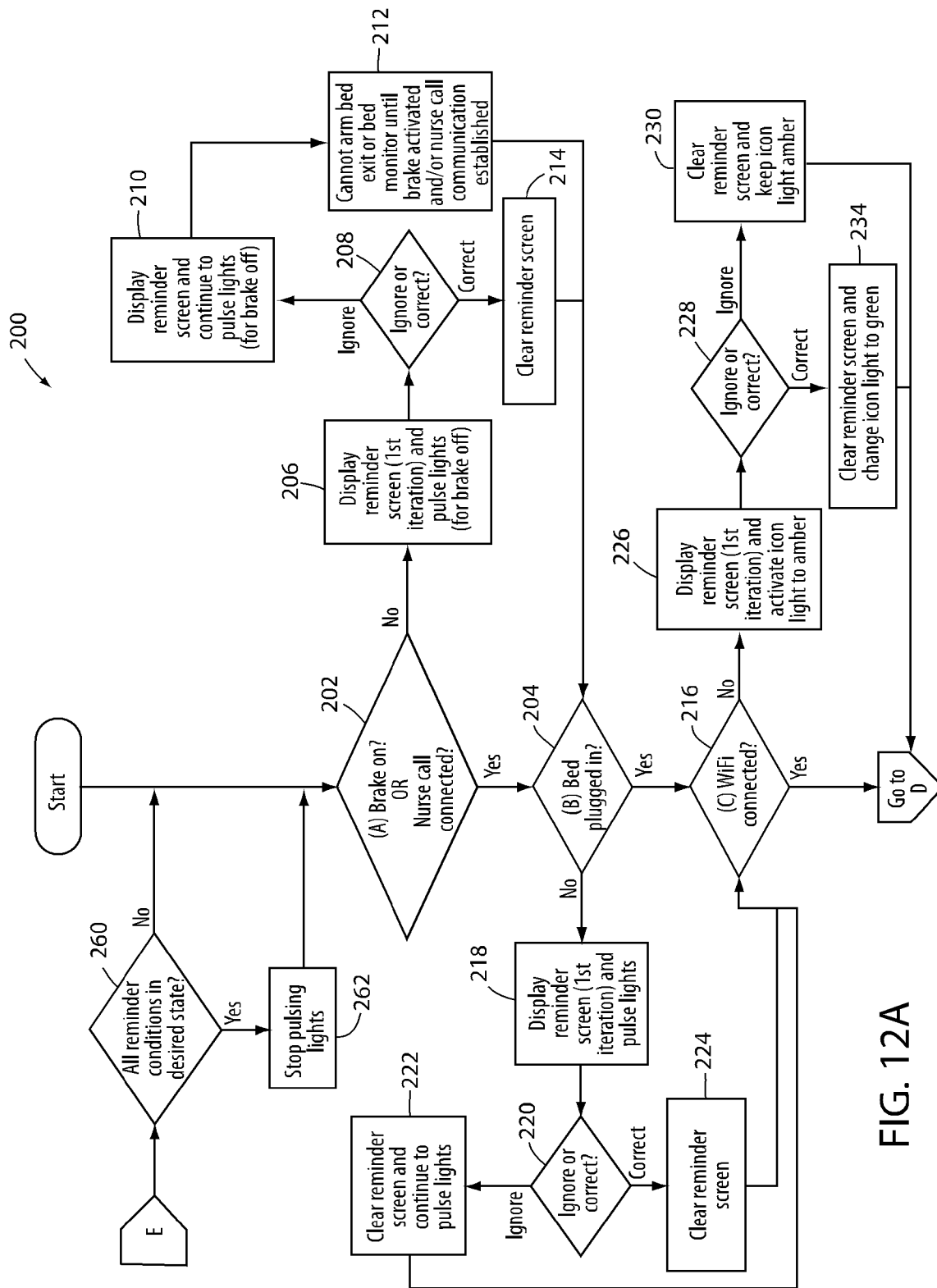
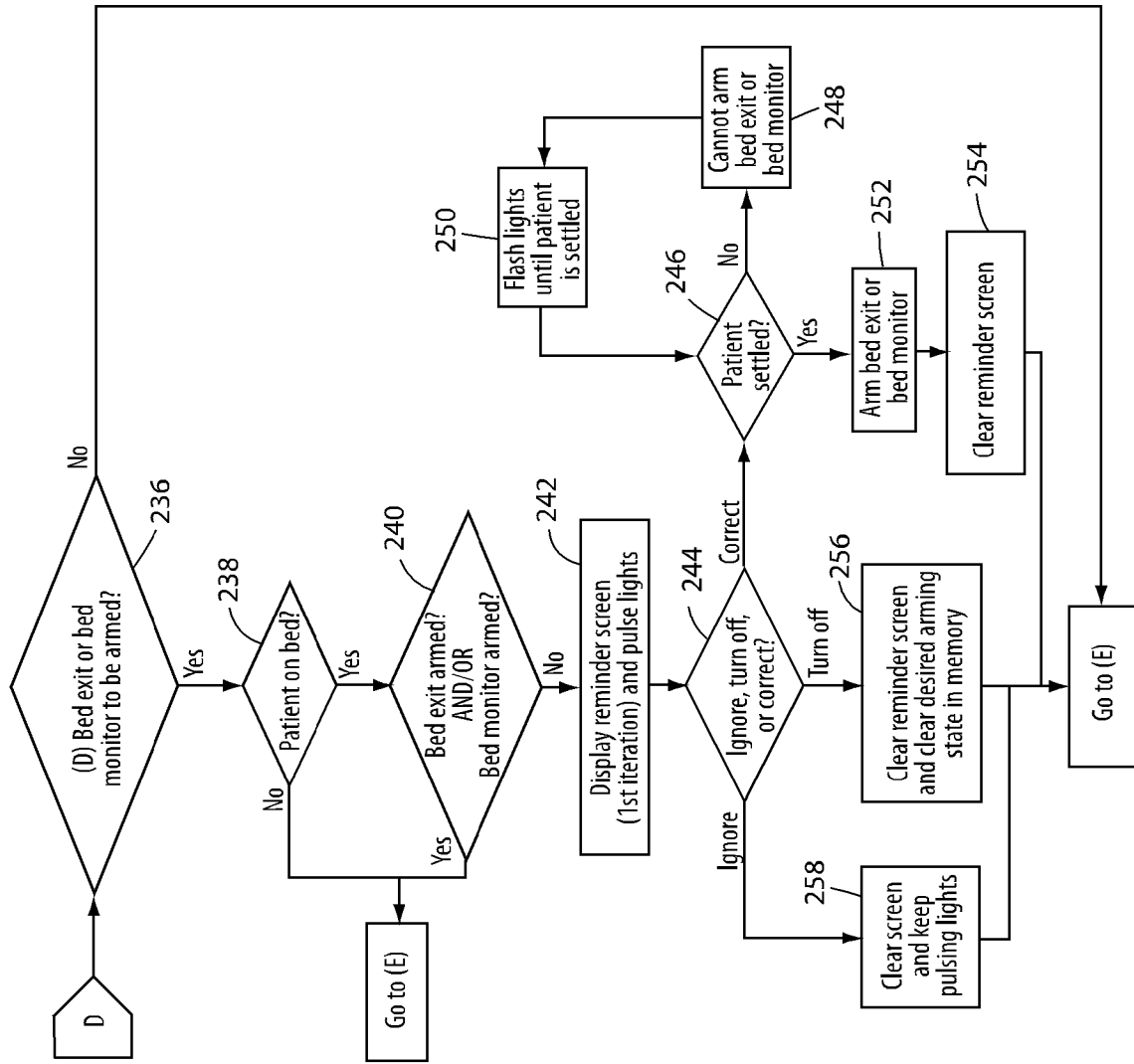


FIG. 12A



200 →

FIG. 12B

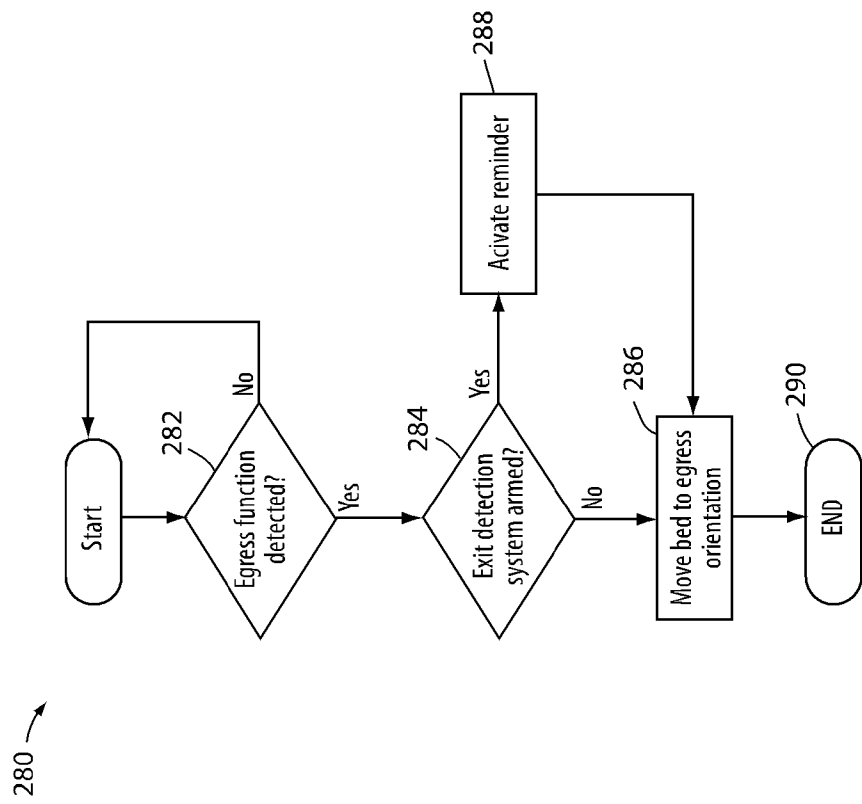


FIG. 13