



US00D877429S

(12) **United States Design Patent**
Steinkraus

(10) **Patent No.:** **US D877,429 S**

(45) **Date of Patent:** **** Mar. 3, 2020**

- (54) **BALL LAUNCHING DEVICE**
- (71) Applicant: **Gramercy Products, Inc.**, Secaucus, NJ (US)
- (72) Inventor: **William Steinkraus**, Fort Lee, NJ (US)
- (73) Assignee: **GRAMERCY PRODUCTS, INC.**, Secaucus, NJ (US)
- (**) Term: **15 Years**
- (21) Appl. No.: **29/643,300**

4,002,893	A	1/1977	Newcomb	
4,006,908	A	2/1977	Minami	
D248,988	S *	8/1978	Goldfarb	D21/454
4,113,829	A	9/1978	Bowker	
D257,114	S *	9/1980	Baird	D21/451
D261,287	S *	10/1981	Hilko	D21/451
4,297,809	A	11/1981	Branson	
4,527,351	A	7/1985	Gerakiteys	
D289,066	S *	3/1987	Clanton	D21/451
D293,256	S *	12/1987	Suzuki	D21/451
4,732,925	A	3/1988	Davis	
D326,878	S *	6/1992	Suzuki	D21/451
D332,473	S *	1/1993	Chan	D16/202
5,196,462	A	3/1993	Berta	
D347,674	S *	6/1994	Delaney	D21/452

(Continued)

- (22) Filed: **Apr. 6, 2018**
- (51) **LOC (12) Cl.** **30-99**
- (52) **U.S. Cl.**
USPC **D30/160**
- (58) **Field of Classification Search**
USPC D21/300, 312-318, 328, 411, 430, 436,
D21/451-454, 466, 514, 570, 707, 712,
D21/715, 722-743, 759; D12/325;
D30/160; 446/4, 197; 124/4, 5;
119/702, 706-714
CPC A01K 15/00; A01K 15/02
See application file for complete search history.

Primary Examiner — Sandra S Snapp
Assistant Examiner — Mehri F. Bajoul
 (74) *Attorney, Agent, or Firm* — Thomas A. O'Rourke;
 Bodner & O'Rourke, LLP

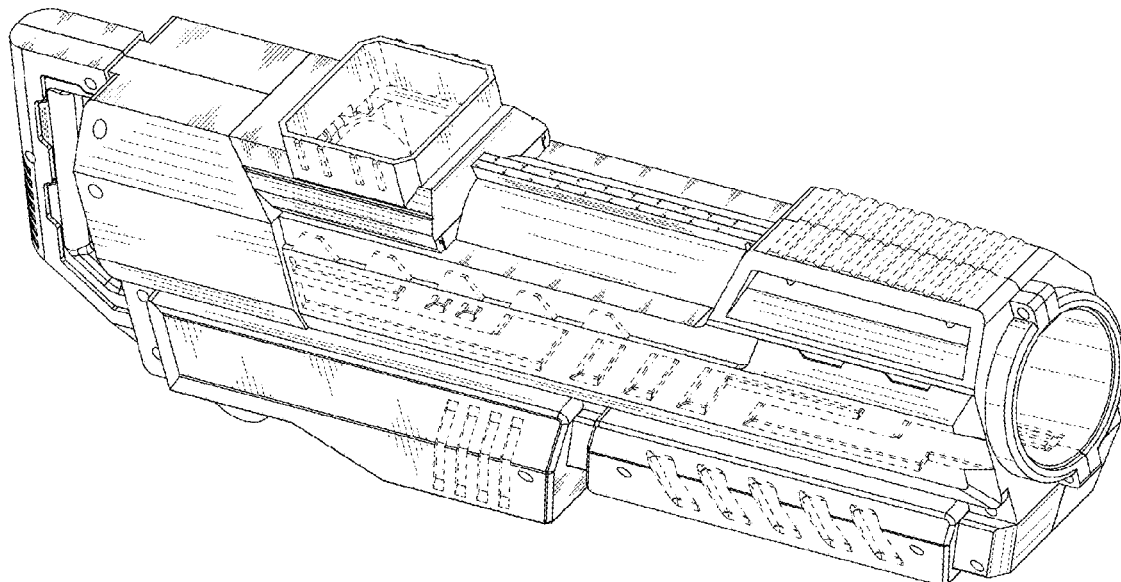
(57) **CLAIM**
 The ornamental design for a ball launching device, as shown and described.

DESCRIPTION

FIG. 1 is a perspective view of a ball launching device of the present invention.
 FIG. 2 is a side view of a ball launching device of FIG. 1. The opposite side of the device is a mirror image of FIG. 2.
 FIG. 3 is a top view of a ball launching device of FIG. 1.
 FIG. 4 is a bottom view of a ball launching device of FIG. 1.
 FIG. 5 is a rear view of a ball launching device of FIG. 1; and,
 FIG. 6 is a front view of a ball launching device of FIG. 1. The broken lines shown in the drawings depict portions of the ball launching device that form no part of the claimed design.

- (56) **References Cited**
 U.S. PATENT DOCUMENTS
- | | | | | |
|-----------|-----|---------|----------|---------|
| 1,877,673 | A | 9/1932 | Law | |
| 2,098,395 | A | 11/1937 | Law | |
| 2,304,190 | A | 12/1942 | Milner | |
| RE23,176 | E | 11/1949 | Milner | |
| 2,867,425 | A | 1/1959 | Teller | |
| D192,089 | S * | 1/1962 | Alvaney | D21/454 |
| 3,046,016 | A | 7/1962 | Laws | |
| D219,284 | S | 11/1970 | Hunt | |
| 3,633,538 | A | 1/1972 | Hoefflin | |
| 3,889,950 | A | 6/1975 | Kasravi | |
| 3,968,074 | A | 7/1976 | Schwarze | |

1 Claim, 3 Drawing Sheets



(56)

References Cited

U.S. PATENT DOCUMENTS

5,344,864	A	9/1994	Kushida		D512,541	S	12/2005	Byrne	
5,358,440	A	10/1994	Zheng		D513,545	S	1/2006	Byrne	
D368,280	S *	3/1996	Brown D21/454	7,096,826	B2	8/2006	Markham	
5,611,532	A	3/1997	Forrest		D548,409	S	8/2007	Renforth	
5,695,706	A	12/1997	Welsh		D568,882	S *	5/2008	Ashida D14/400
5,810,636	A	9/1998	Harned		D569,562	S	5/2008	Nazimek	
D402,318	S	12/1998	Dunipace		D640,329	S	6/2011	Oblack	
D408,482	S	4/1999	Morrison		7,976,355	B2	7/2011	McAnulty	
5,934,966	A	8/1999	Ward		D658,726	S *	5/2012	Greiner D21/570
6,003,470	A	12/1999	Budman		D660,920	S *	5/2012	Johnson D21/572
D421,777	S *	3/2000	Wei D21/451	8,241,153	B2	8/2012	Williams	
6,073,588	A	6/2000	McClung		8,348,713	B2	1/2013	Groft	
6,083,127	A	7/2000	O'Shea		8,402,923	B2	3/2013	Jager	
6,089,938	A	7/2000	Spector		D680,280	S	4/2013	Nielsen	
6,113,453	A	9/2000	Stuffelbeam		8,474,410	B2	7/2013	Oblack	
D433,719	S	11/2000	Hutchings		D723,114	S *	2/2015	Li D21/573
6,174,214	B1	1/2001	Cooper		D730,997	S *	6/2015	Nichols D21/570
6,390,879	B1	5/2002	Spector		D759,164	S *	6/2016	Bei D21/454
D468,378	S	1/2003	Routzong		D759,168	S *	6/2016	Stack D21/570
D479,897	S	9/2003	Willinger		D815,695	S *	4/2018	Waldman D21/328
6,622,659	B2	9/2003	Willinger		2002/0111105	A1	8/2002	Silvergate	
6,651,590	B2	11/2003	Willinger		2003/0184013	A1	10/2003	Chodosh	
6,682,384	B2	1/2004	Wang		2003/0232565	A1	12/2003	Siivergate	
6,695,666	B2	2/2004	Nikonorov		2004/0083983	A1	5/2004	Markham	
6,739,934	B1	5/2004	Adler		2004/0089245	A1	5/2004	Markham	
6,918,809	B2	7/2005	Persall		2004/0166764	A1	8/2004	Stark	
6,939,191	B1	9/2005	Wu		2004/0259460	A1	12/2004	Persall	
D511,228	S	11/2005	Byrne		2006/0073758	A1	4/2006	Goodwin	
					2006/0141896	A1	6/2006	Owens	
					2009/0176436	A1	7/2009	Stark	

* cited by examiner

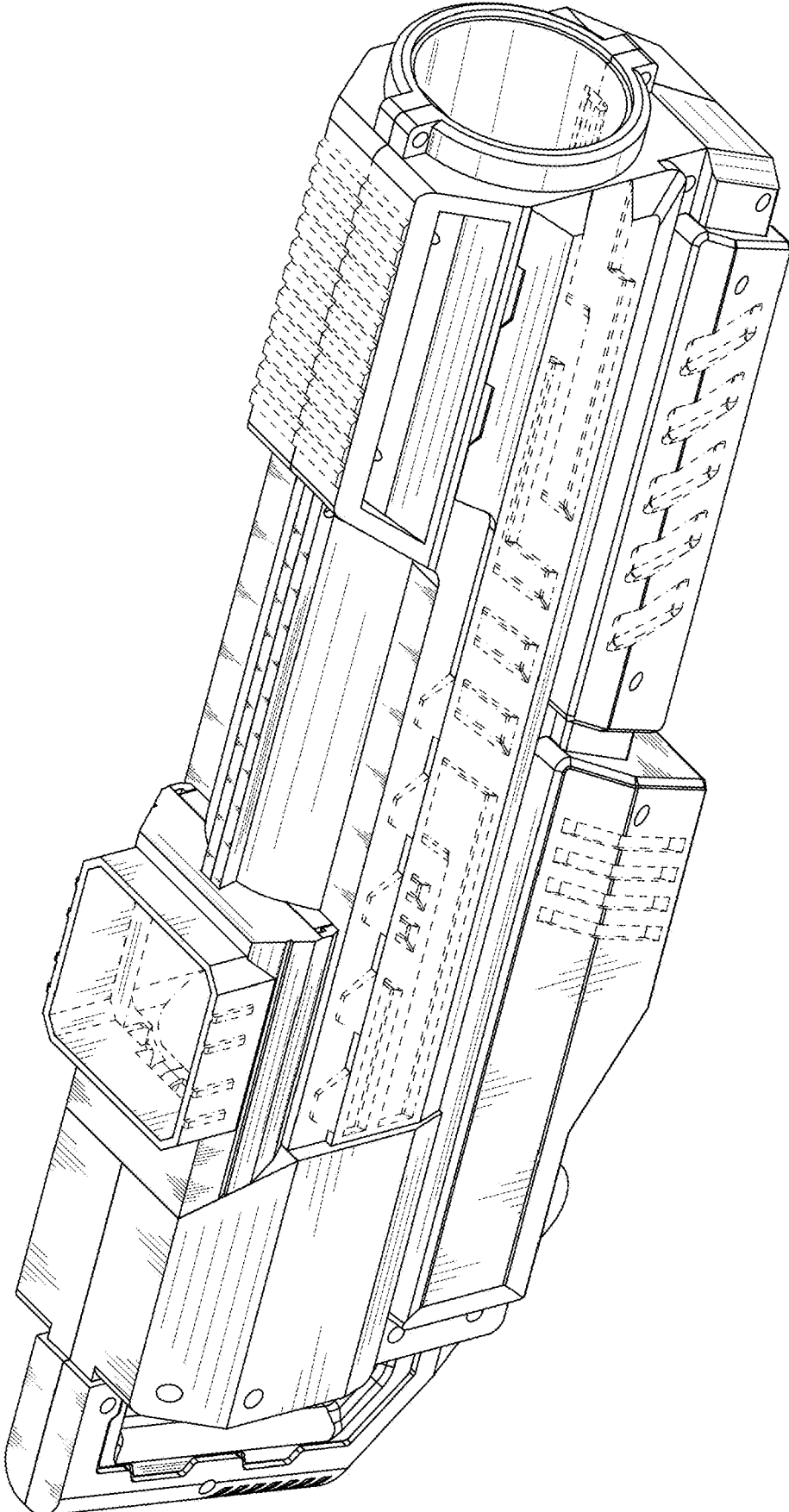
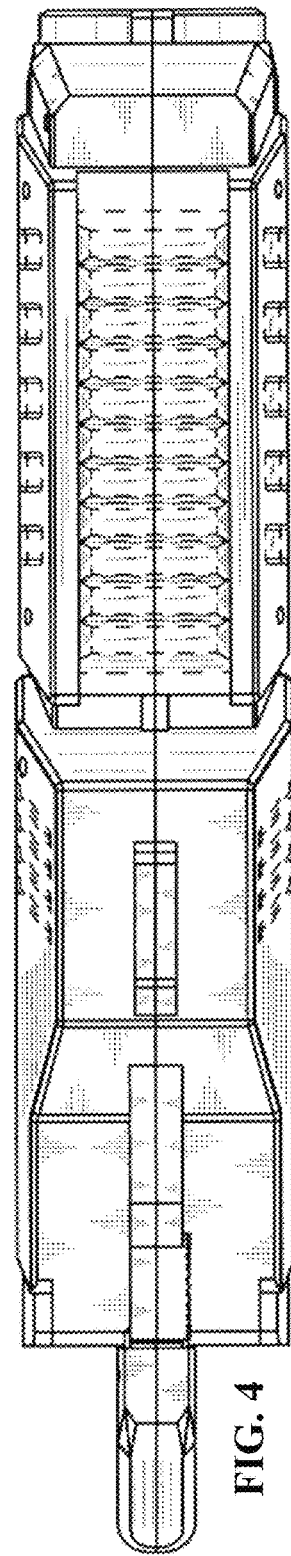
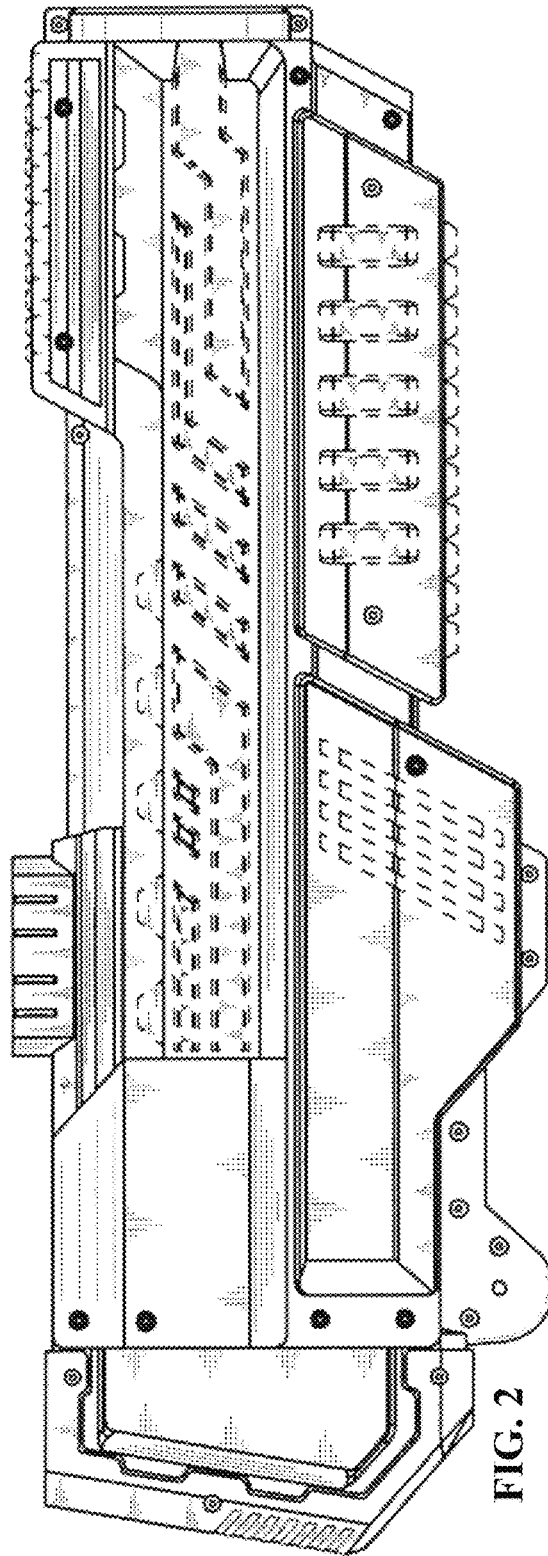
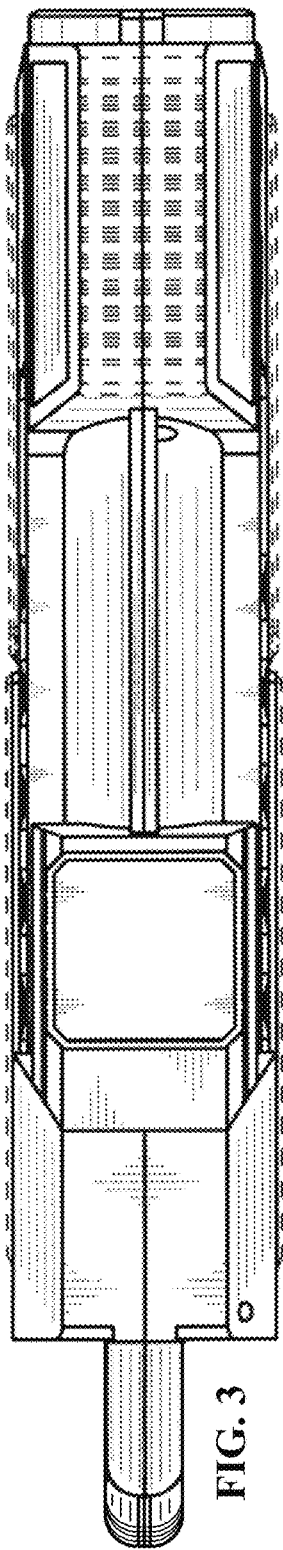


FIG. 1



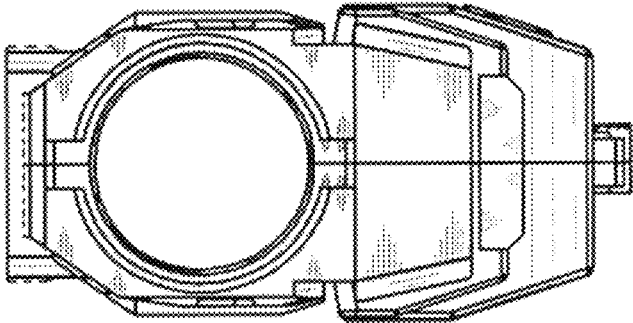


FIG. 6

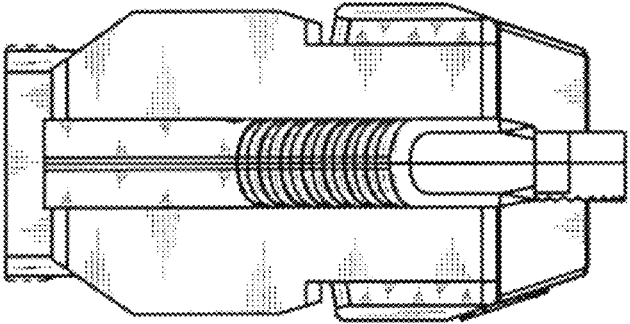


FIG. 5