



US00D637176S

(12) **United States Design Patent**  
**Brunner et al.**

(10) **Patent No.:** **US D637,176 S**

(45) **Date of Patent:** **\*\* \*May 3, 2011**

(54) **HEADPHONE**

(75) Inventors: **Robert Brunner**, San Francisco, CA (US); **Kenny Sweet**, San Francisco, CA (US); **Gregoire Vandebussche**, San Francisco, CA (US); **Chris Fruhauf**, San Anselmo, CA (US)

(73) Assignee: **Beats Electronics, LLC**, Santa Monica, CA (US)

(\*\*) Term: **14 Years**

(21) Appl. No.: **29/353,186**

(22) Filed: **Jan. 4, 2010**

(51) **LOC (9) Cl.** ..... **14-01**

(52) **U.S. Cl.** ..... **D14/205**

(58) **Field of Classification Search** ..... D14/205,  
D14/206, 223, 188, 192; 181/129, 130, 135;  
379/430, 431, 433.01, 433.02; 381/380,  
381/381, 370; 128/864, 865, 866; 455/90.3,  
455/575.1, 575.2

See application file for complete search history.

(56) **References Cited**

U.S. PATENT DOCUMENTS

4,173,715 A	11/1979	Gosman	
D254,876 S	5/1980	Reitenga	
4,634,816 A	1/1987	O'Malley et al.	
D313,092 S	12/1990	Nilsson	
5,018,599 A *	5/1991	Dohi et al.	181/129
5,035,005 A *	7/1991	Hung	2/209
D328,074 S *	7/1992	Yamazaki et al.	D14/205
D328,461 S *	8/1992	Daido et al.	D14/205
D351,172 S *	10/1994	Nakamura et al.	D14/205
D358,389 S	5/1995	Isono	
D420,356 S	2/2000	Suzuki	
6,081,604 A	6/2000	Hikichi et al.	
D430,140 S *	8/2000	Roman	D14/205
D457,512 S	5/2002	Yoneda	
6,449,806 B1	9/2002	Engelhard et al.	

D484,485 S *	12/2003	Matsuoka	D14/205
6,654,966 B2	12/2003	Rolla	
D484,868 S	1/2004	Suzuki	
D491,163 S *	6/2004	Green	D14/205
7,172,052 B2	11/2004	Lenhard-Backhaus	
D532,407 S *	11/2006	Motoishi	D14/205
D534,155 S	12/2006	Obata	
D534,156 S	12/2006	Obata	
D540,301 S	4/2007	Obata	
D541,257 S	4/2007	Thursfield	

(Continued)

FOREIGN PATENT DOCUMENTS

GB 2072035 5/1998

OTHER PUBLICATIONS

U.S. Appl. No. 29/357,430 filed on Mar. 11, 2010.

(Continued)

*Primary Examiner* — Paula Greene

(74) *Attorney, Agent, or Firm* — Michael G. Kelber; Neal, Gerber & Eisenberg LLP

(57) **CLAIM**

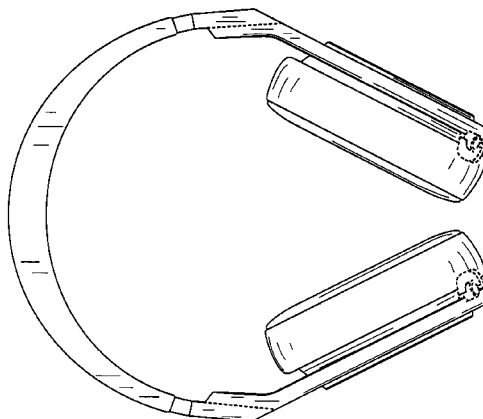
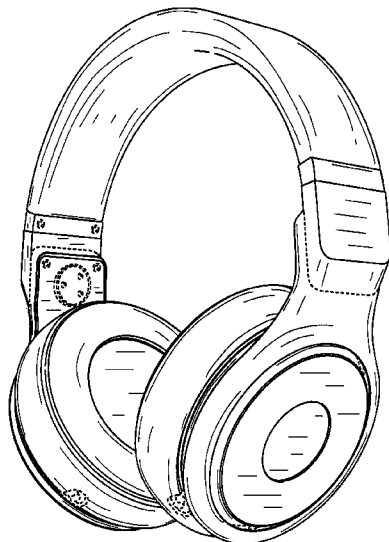
The ornamental design for a headphone, as shown and described.

**DESCRIPTION**

FIG. 1 is a perspective view of a headphone showing our new design, the opposite perspective view is a mirror image; FIG. 2 is a left side elevational view thereof; FIG. 3 is a back view thereof; FIG. 4 is a front view thereof; FIG. 5 is a right side elevational view thereof; FIG. 6 is a top view thereof; and, FIG. 7 is a bottom view thereof.

The broken lines showing the environment in the Figures are for illustrative purposes only and form no part of the claimed design.

**1 Claim, 4 Drawing Sheets**



# US D637,176 S

Page 2

## U.S. PATENT DOCUMENTS

D552,077 S \* 10/2007 Brunner et al. .... D14/205  
D557,684 S 12/2007 Pundsack et al.  
D563,382 S 3/2008 Wikel  
D582,890 S \* 12/2008 Koza et al. .... D14/205  
D585,871 S \* 2/2009 Lee ..... D14/205  
D585,872 S \* 2/2009 Lee ..... D14/205  
D588,098 S \* 3/2009 Kurihara ..... D14/205  
D588,100 S 3/2009 Densho et al.  
D591,263 S \* 4/2009 Shimizu ..... D14/205  
D592,182 S 5/2009 Sanguinetti  
D592,640 S 5/2009 Tkachuk

D593,995 S \* 6/2009 Shimizu ..... D14/205  
D603,370 S \* 11/2009 Suzuki ..... D14/205  
D603,371 S \* 11/2009 Boateng et al. .... D14/205  
D616,865 S \* 6/2010 Marchand et al. .... D14/205  
D617,769 S 6/2010 Birger

## OTHER PUBLICATIONS

Office Action dated Dec. 10, 2010 for Russian Patent Application No.  
2010501890.

\* cited by examiner

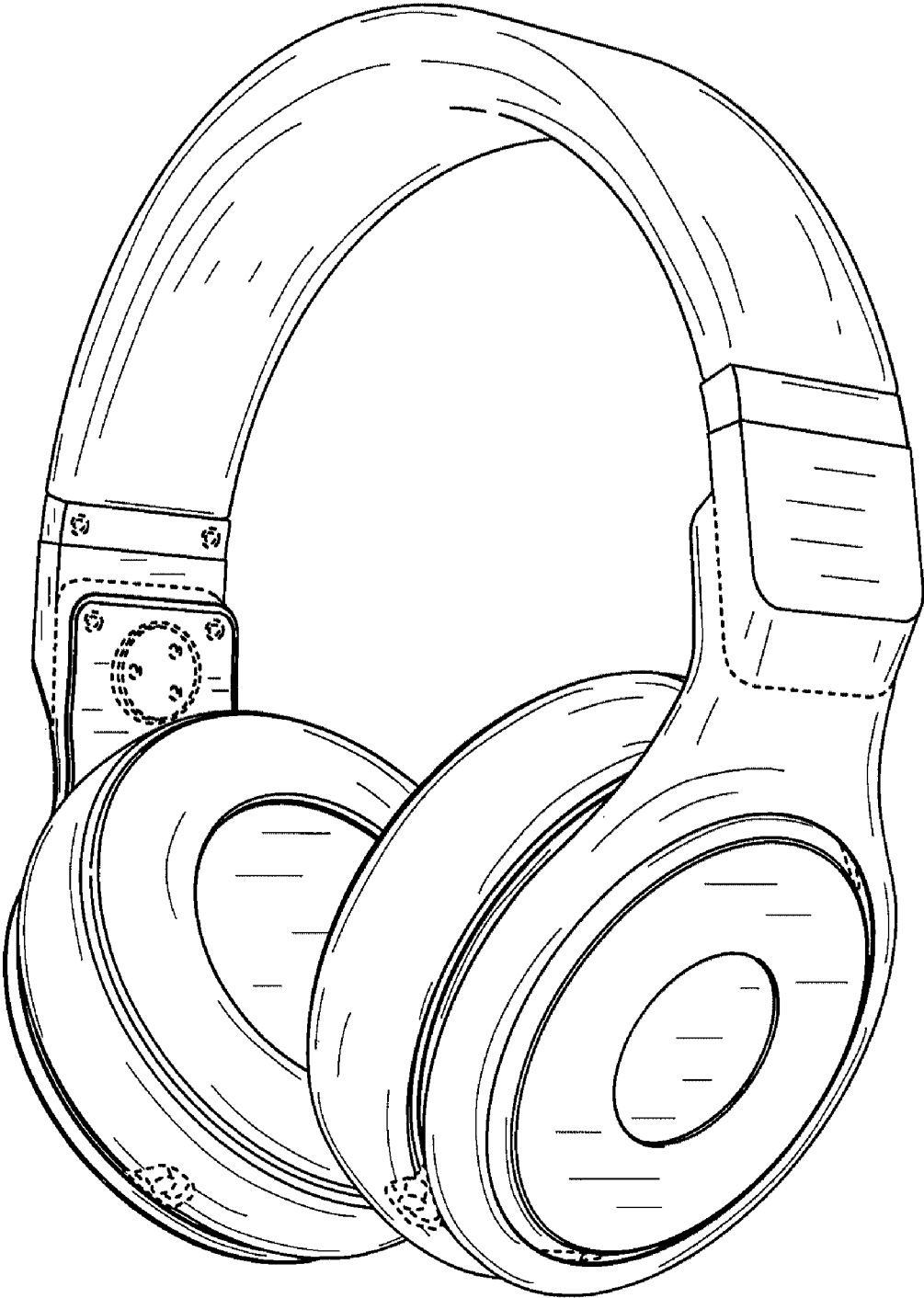


FIG. 1

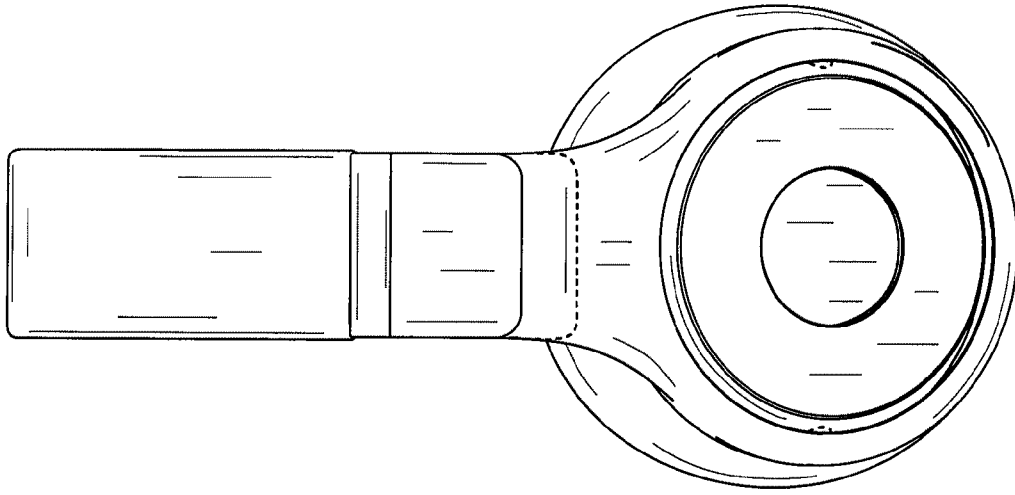


FIG. 2

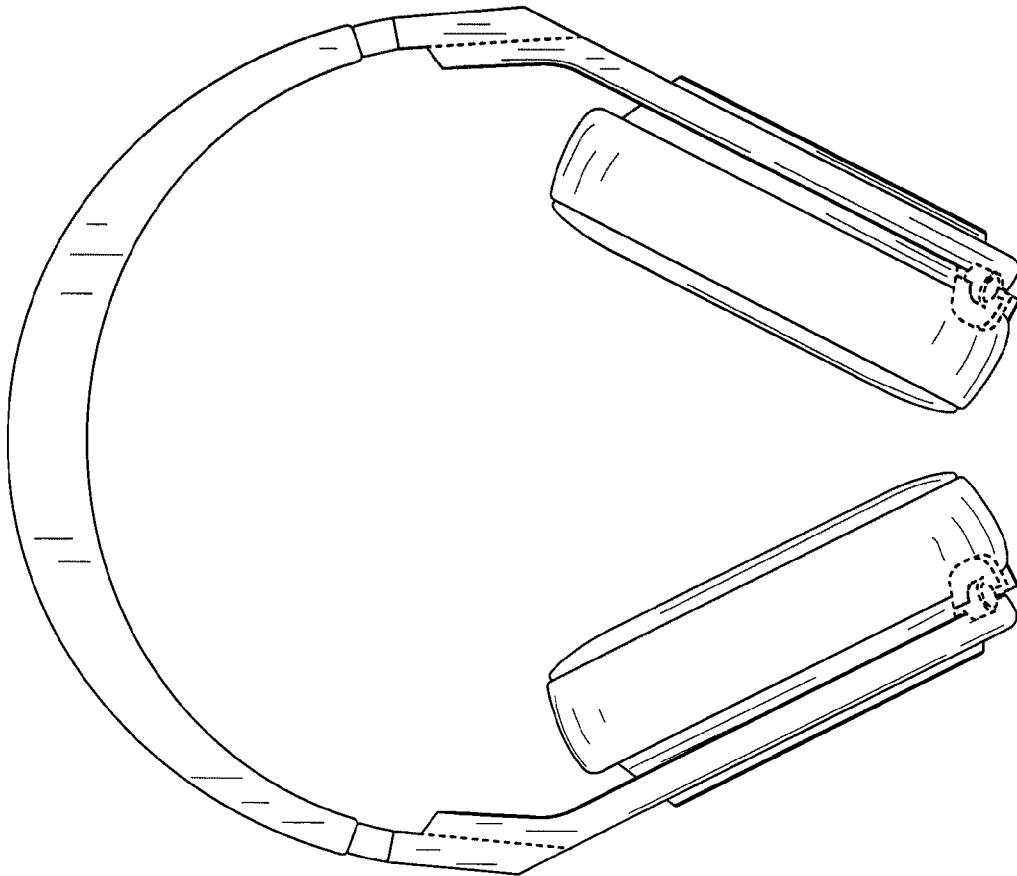


FIG. 3

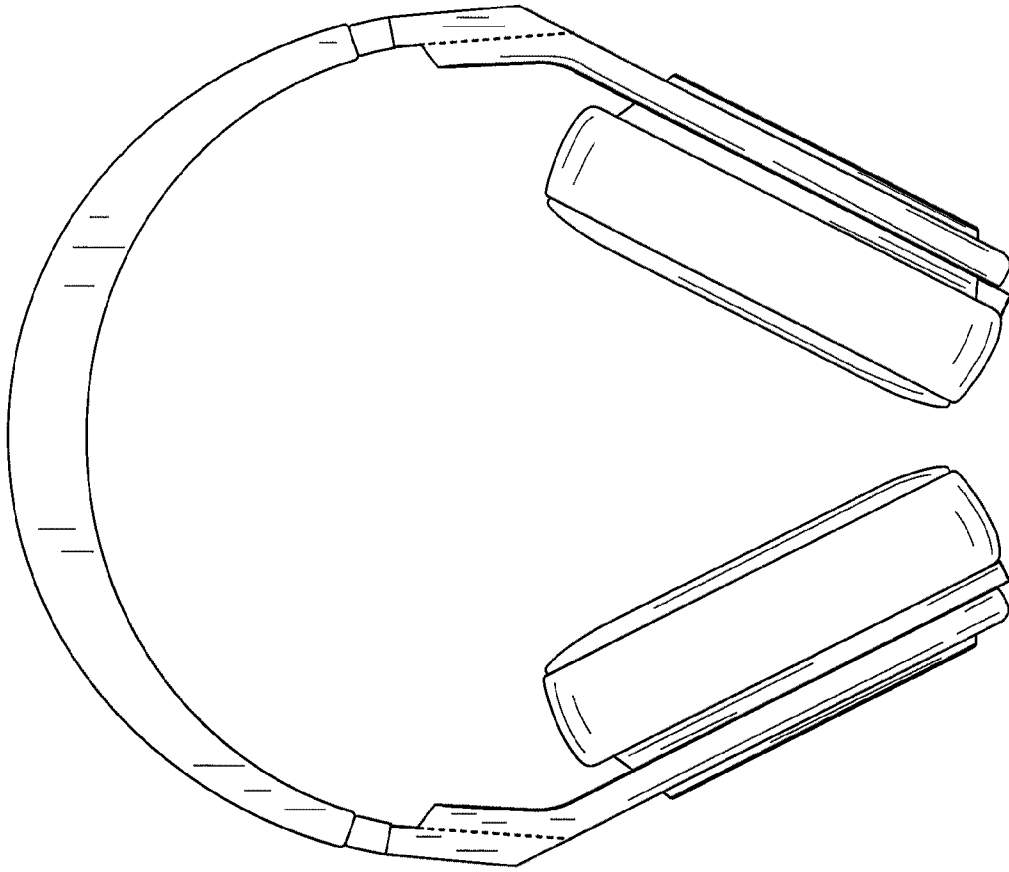


FIG. 4

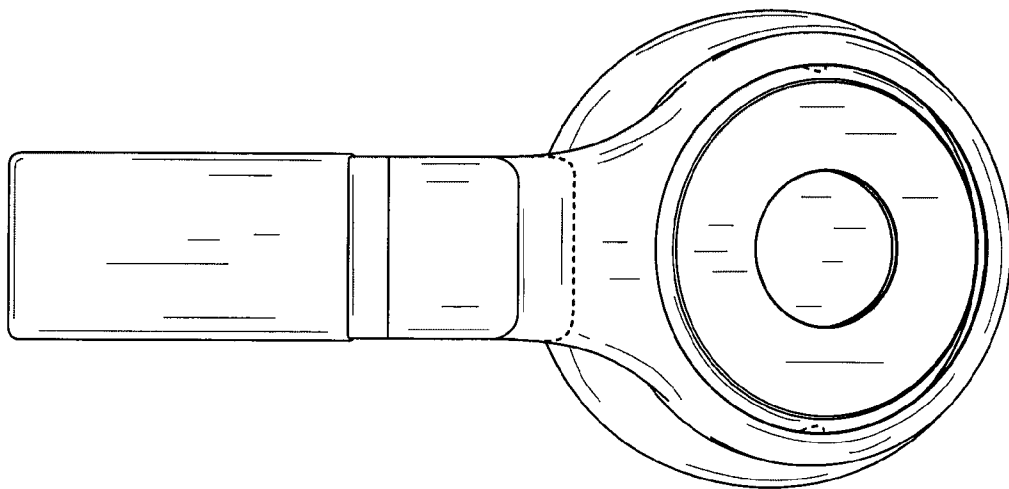


FIG. 5

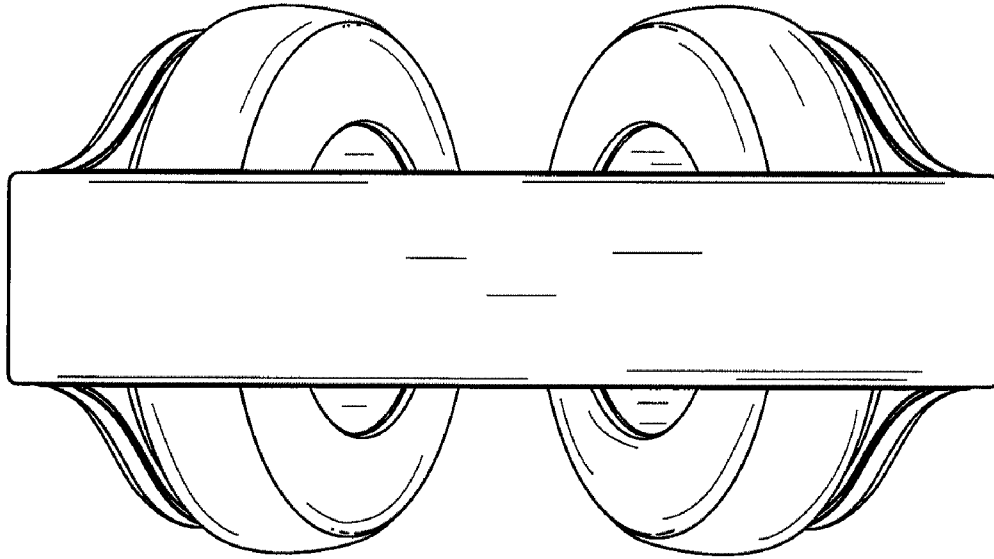


FIG. 6

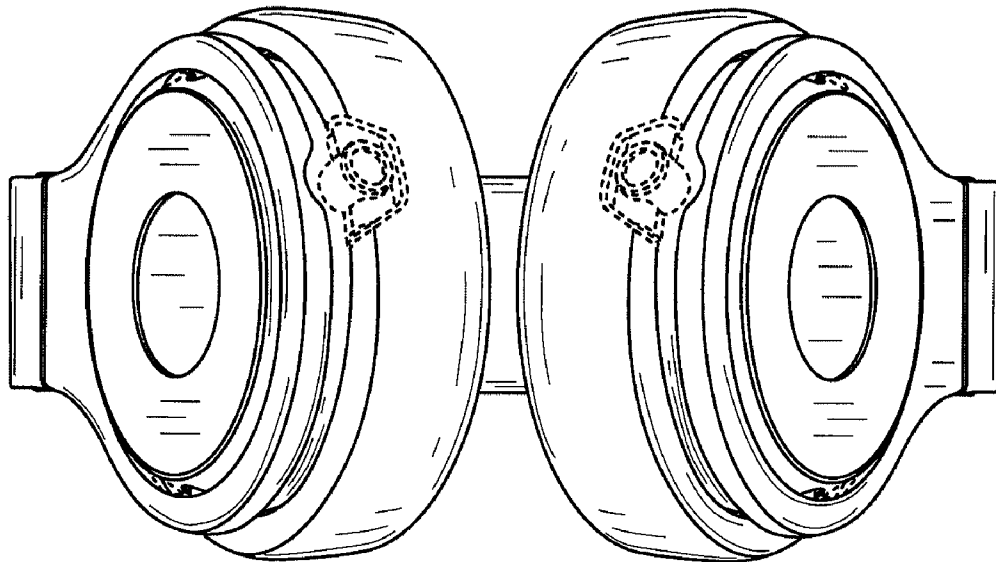


FIG. 7