



US00D997607S

(12) **United States Design Patent**
Pedersen et al.

(10) **Patent No.:** **US D997,607 S**
(45) **Date of Patent:** **** Sep. 5, 2023**

- (54) **DISPLAY TABLE**
- (71) Applicant: **Target Brands, Inc.**, Minneapolis, MN (US)
- (72) Inventors: **Sara L. Pedersen**, Minneapolis, MN (US); **Christopher S. Case**, Shakopee, MN (US); **Grace C. Manuel**, Minneapolis, MN (US)
- (73) Assignee: **Target Brands, Inc.**, Minneapolis, MN (US)

D572,499 S	7/2008	Davis	
D650,612 S	12/2011	Frinier	
D732,852 S	6/2015	Park et al.	
D736,020 S	8/2015	Martell et al.	
D741,094 S	10/2015	Martell et al.	
D766,625 S	9/2016	Johnson et al.	
D768,417 S	10/2016	Johnson et al.	
D777,481 S	1/2017	Denby et al.	
D781,085 S	3/2017	Liu	
D792,132 S *	7/2017	Peota	D6/675
D801,092 S	10/2017	Merritt	
D828,061 S	9/2018	Davis et al.	
D848,768 S	5/2019	Johnson et al.	
D927,904 S *	8/2021	Pedersen	D6/691.3

(**) Term: **15 Years**

* cited by examiner

(21) Appl. No.: **29/784,139**

Primary Examiner — Mary Ann Calabrese

(22) Filed: **May 18, 2021**

(74) *Attorney, Agent, or Firm* — Leanne Taveggia Farrell; Westman, Champlin & Koehler, P.A.

Related U.S. Application Data

(62) Division of application No. 29/694,615, filed on Jun. 12, 2019, now Pat. No. Des. 927,904.

(51) **LOC (14) Cl.** **06-04**

(52) **U.S. Cl.**

USPC **D6/657**; D6/673; D6/686

(58) **Field of Classification Search**

USPC D6/657, 662–664, 671, 671.1, 671.3, D6/671.4, 685, 686, 672, 673, 675
 CPC A47B 7/00; A47B 43/00; A47B 47/00; A47B 55/00; A47F 9/00; A47F 9/005; A47F 9/02; A47F 9/04; A47F 2009/041; A47F 10/00; A47F 10/02

See application file for complete search history.

(56) **References Cited**

U.S. PATENT DOCUMENTS

D133,624 S 9/1942 Hollander
 D196,440 S 10/1963 Turner

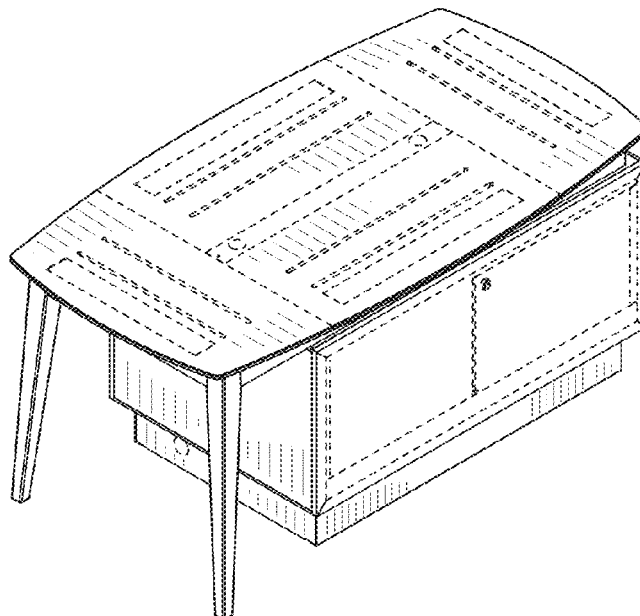
(57) **CLAIM**

The ornamental design for a display table, as shown and described.

DESCRIPTION

FIG. 1 is a perspective view of a display table showing our new design;
 FIG. 2 is a top view of FIG. 1;
 FIG. 3 is a front view of FIG. 1, the back view being a mirror image;
 FIG. 4 is a right side view of FIG. 1; and,
 FIG. 5 is a left side view of FIG. 1.
 The broken lines shown in the drawings are included for purposes of illustrating portions of the display table and form no part of the claimed design.

1 Claim, 3 Drawing Sheets



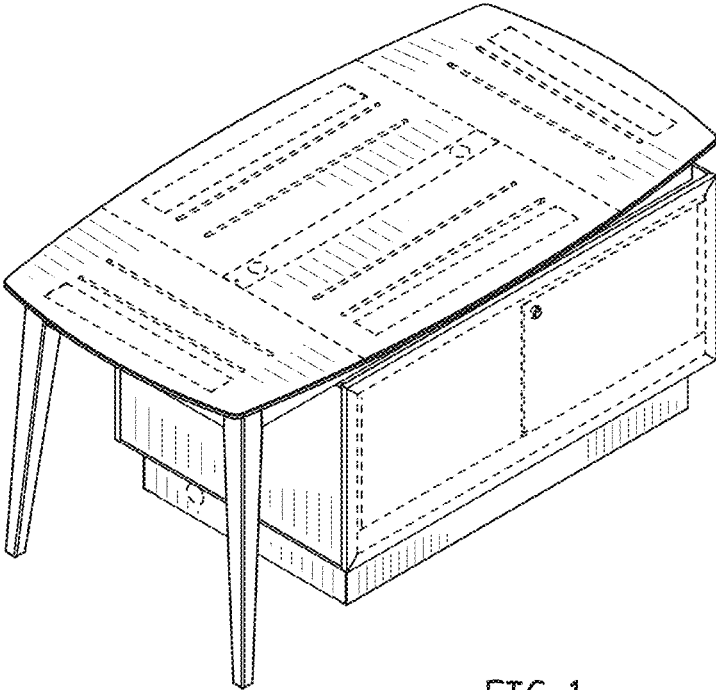


FIG. 1

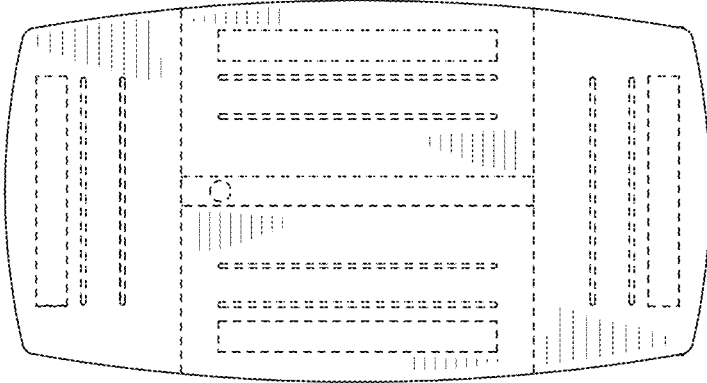


FIG. 2

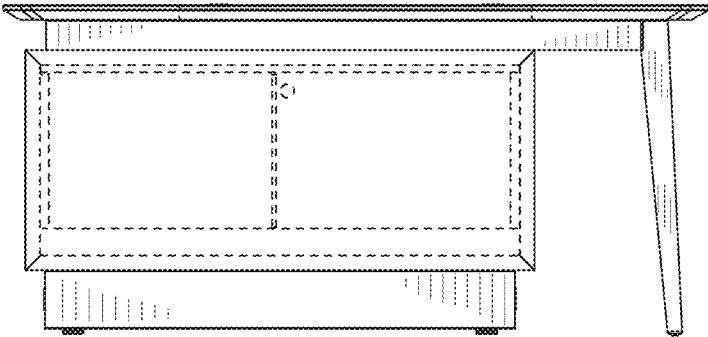


FIG. 3

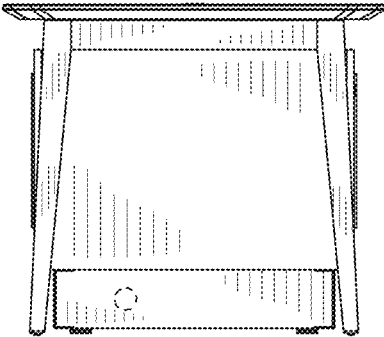


FIG. 4

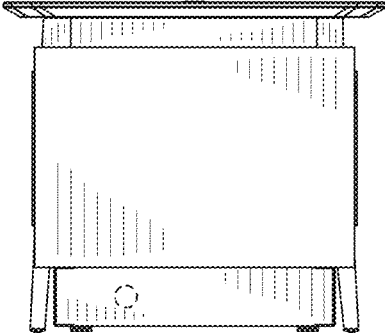


FIG. 5