



US00D704617S

(12) **United States Design Patent**
Chung

(10) **Patent No.:** **US D704,617 S**

(45) **Date of Patent:** **** May 13, 2014**

- (54) **AUTOMOTIVE WHEEL**
- (71) Applicant: **Suny Chung**, Anaheim, CA (US)
- (72) Inventor: **Suny Chung**, Anaheim, CA (US)
- (**) Term: **14 Years**
- (21) Appl. No.: **29/479,318**

D604,685 S *	11/2009	Zhou et al.	D12/211
D614,112 S *	4/2010	Tant et al.	D12/211
D621,771 S *	8/2010	Truebsbach	D12/211
D641,678 S *	7/2011	Elmitt	D12/209
D641,680 S *	7/2011	Laengerer	D12/211
D644,158 S *	8/2011	Nissl	D12/211
D660,771 S *	5/2012	Mueller-Stolz	D12/211
D683,689 S *	6/2013	Fahr-Becker	D12/211
D689,004 S *	9/2013	Jallad	D12/211
D698,720 S *	2/2014	Farh-Becker	D12/211

- (22) Filed: **Jan. 14, 2014**
- (51) **LOC (10) Cl.** **12-16**
- (52) **U.S. Cl.**
USPC **D12/211**
- (58) **Field of Classification Search**
USPC D12/204-213; 301/37.101, 64.101, 65,
301/64.201
See application file for complete search history.

* cited by examiner

Primary Examiner — Stacia Cadmus

(57) **CLAIM**

The ornamental design for an automotive wheel, as shown and described.

DESCRIPTION

FIG. 1 is a perspective view of an automotive wheel, showing my new design; and, FIG. 2 is a front view thereof. The broken line showing of the rear portion of the wheel is included for the purpose of illustrating environment and forms no part of the claimed design.

- (56) **References Cited**
U.S. PATENT DOCUMENTS
D474,440 S * 5/2003 Oh D12/211
D480,036 S * 9/2003 Laengerer D12/211
D506,172 S * 6/2005 Pfeiffer D12/211

1 Claim, 2 Drawing Sheets

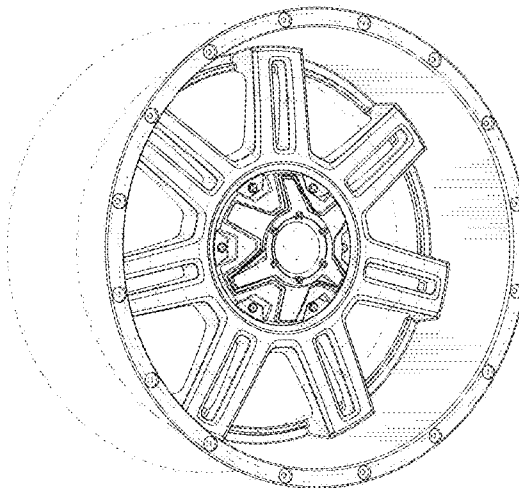
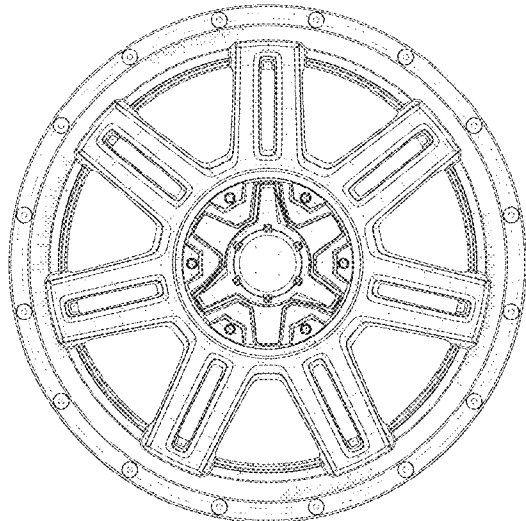


FIGURE 1

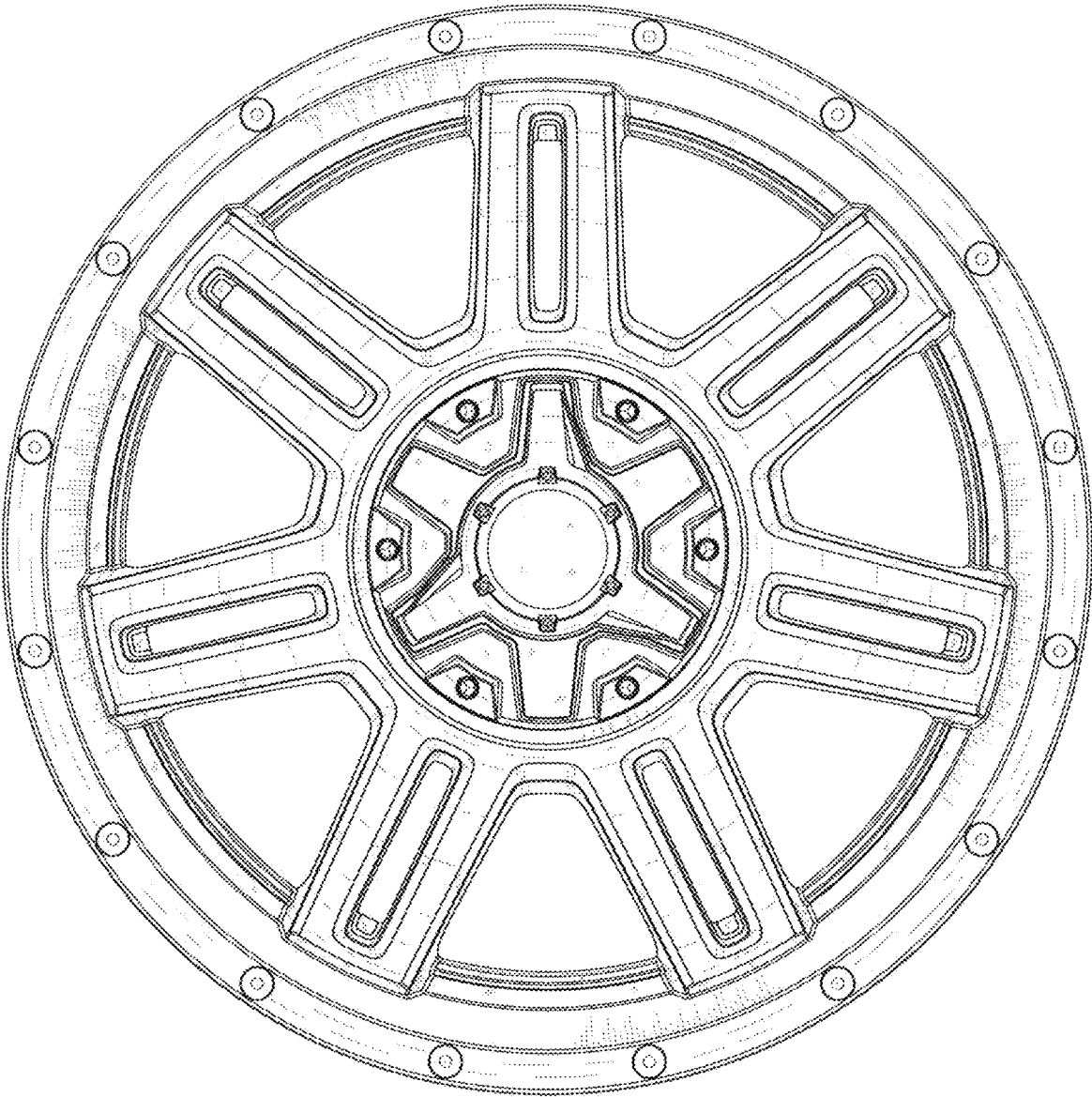


FIGURE 2

