



US00D906874S

(12) **United States Design Patent**
Current

(10) **Patent No.:** **US D906,874 S**

(45) **Date of Patent:** **** Jan. 5, 2021**

- (54) **FLOWER STEM CLIP**
- (71) Applicant: **Jemma Holdings, LLC**, Jersey City, NJ (US)
- (72) Inventor: **James Current**, Jersey City, NJ (US)
- (73) Assignee: **Jemma Holdings, LLC**, Jersey City, NJ (US)
- (**) Term: **15 Years**
- (21) Appl. No.: **29/700,980**
- (22) Filed: **Aug. 7, 2019**
- (51) **LOC (13) Cl.** **11-02**
- (52) **U.S. Cl.**
USPC **D11/146**
- (58) **Field of Classification Search**
USPC D11/143-156, 164; D3/304, 306, 312; D6/403, 404, 405, 556, 557, 558; D8/1, D8/388, 394; D7/584, 587, 604, 606
CPC . A01G 9/00; A01G 9/02; A01G 9/021; A01G 9/022; A01G 9/027; A01G 9/029; A01G 9/085; A01G 9/122; A01G 31/02; A01G 31/06; A01G 5/04; A47G 7/00; A47G 7/02; A47G 7/03; A47G 7/06; A47G 7/08
See application file for complete search history.

D314,493 S *	2/1991	Keane	D20/22
D329,575 S *	9/1992	Eberhart	D8/1
D341,755 S *	11/1993	Zeman	D23/217
D361,094 S *	8/1995	Calkins	D20/26
D361,461 S *	8/1995	Linzenbold	D6/556
D365,041 S *	12/1995	Dollinger	D11/146
5,546,697 A *	8/1996	Lymberis	A01G 5/04 47/41.15
D378,439 S *	3/1997	Gary	D21/840
D400,782 S *	11/1998	Nakamura	D8/395
D446,156 S *	8/2001	Davenport	D11/152
7,393,116 B1 *	7/2008	Holmes	F21S 2/00 362/122
D578,642 S *	10/2008	White	D24/128
D720,611 S *	1/2015	Hewitt	D8/388
D874,890 S *	2/2020	Lazarov	D8/1

* cited by examiner

Primary Examiner — Elizabeth A. Albert
(74) *Attorney, Agent, or Firm* — Ascentage Patent Law, LLC; Travis Lee Johnson

(57) **CLAIM**

I claim, the ornamental design for a flower stem clip, as shown and described.

DESCRIPTION

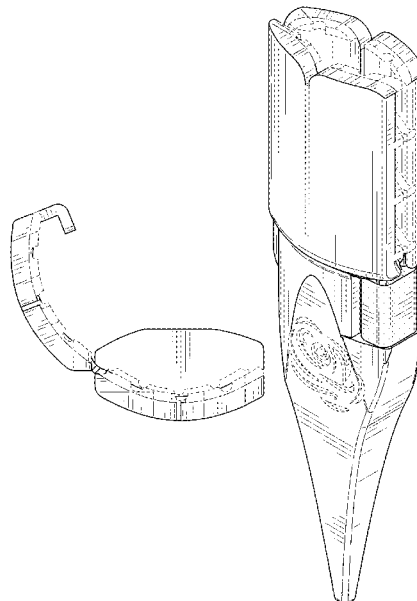
FIG. 1 is a perspective view of a flower stem clip in an open condition;
FIG. 2 is a front view thereof;
FIG. 3 is a rear view thereof;
FIG. 4 is a left side front view thereof;
FIG. 5 is a right side front view thereof;
FIG. 6 is a top view thereof;
FIG. 7 is a bottom view thereof; and,
FIG. 8 is a perspective view of the flower stem clip in a closed condition.
The broken lines in the figures depict environmental subject matter and form no part of the claimed design.

1 Claim, 6 Drawing Sheets

(56) **References Cited**

U.S. PATENT DOCUMENTS

D39,432 S *	7/1908	Whipple	D7/565
D61,571 S *	10/1922	Haines	D1/115
3,177,617 A *	4/1965	Koistinen	A01G 5/04 47/41.11
3,494,072 A *	2/1970	Olson	A01G 17/08 47/44
D263,939 S *	4/1982	Katcher	D11/143
D270,133 S *	8/1983	Craig	D8/1



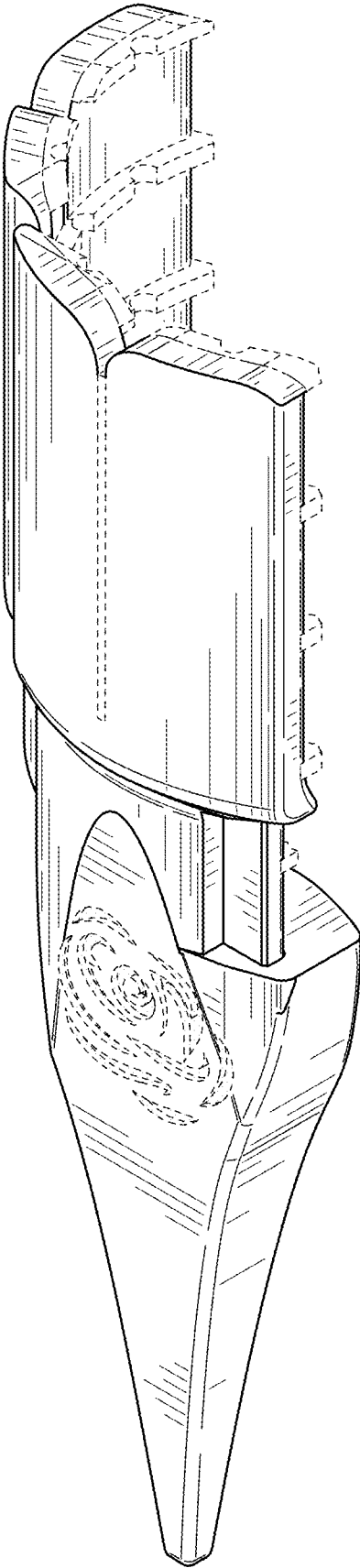


FIG. 1

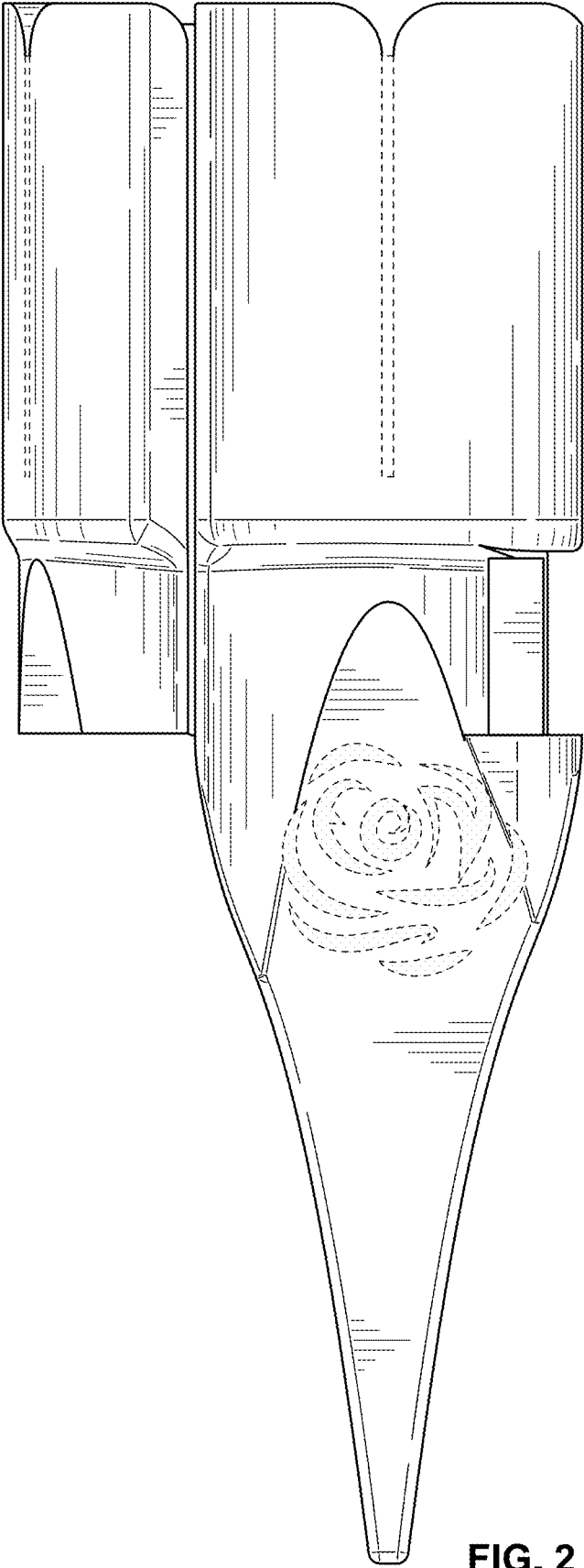


FIG. 2

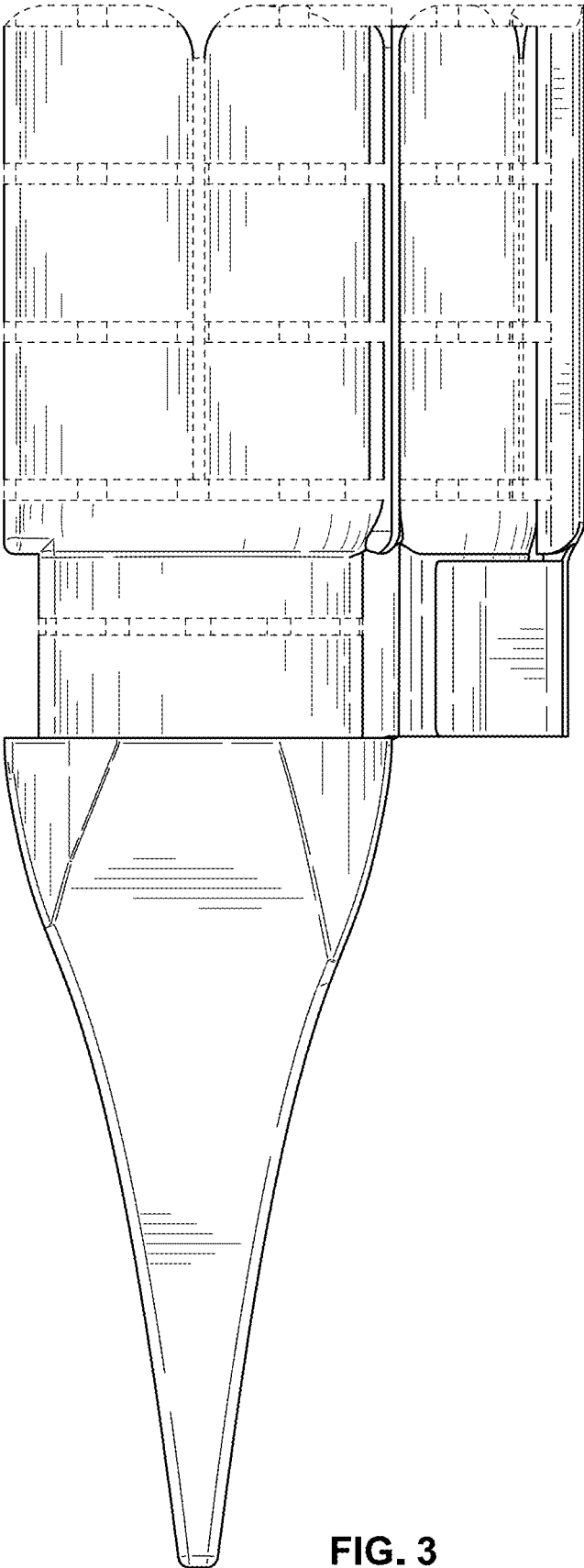


FIG. 3

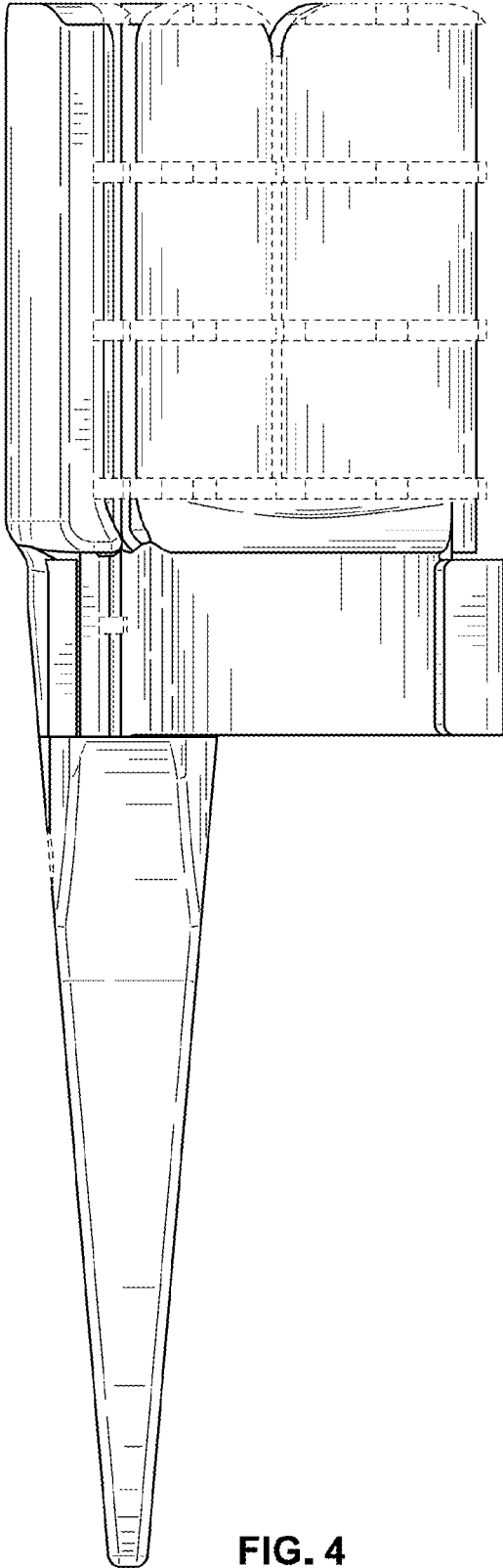


FIG. 4

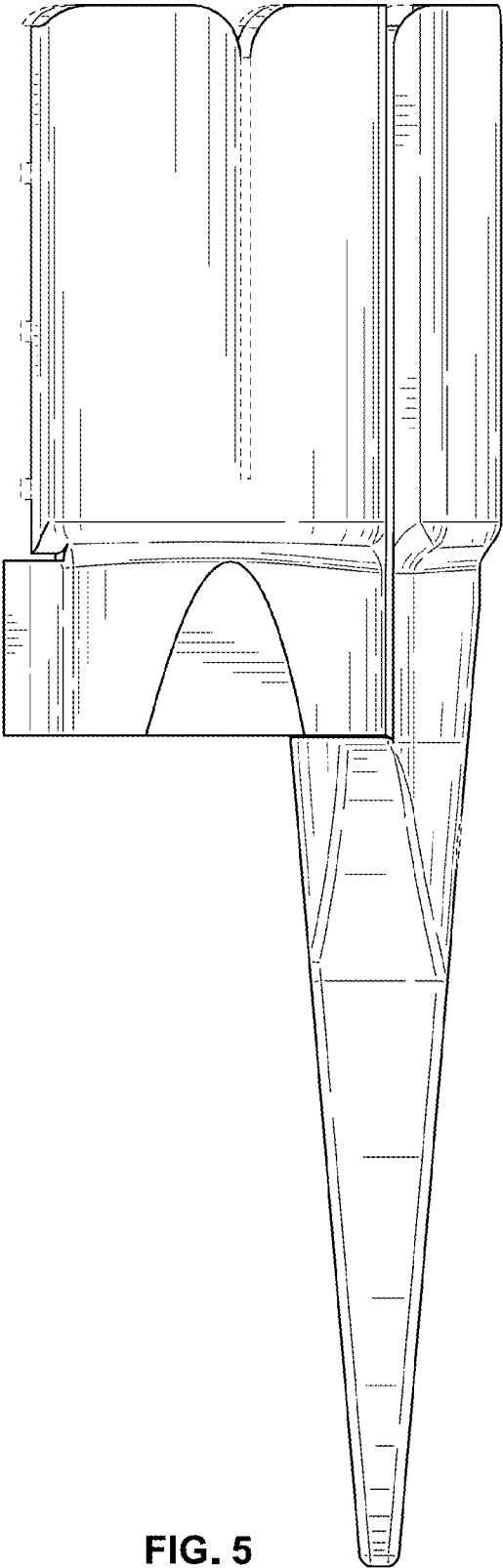


FIG. 5

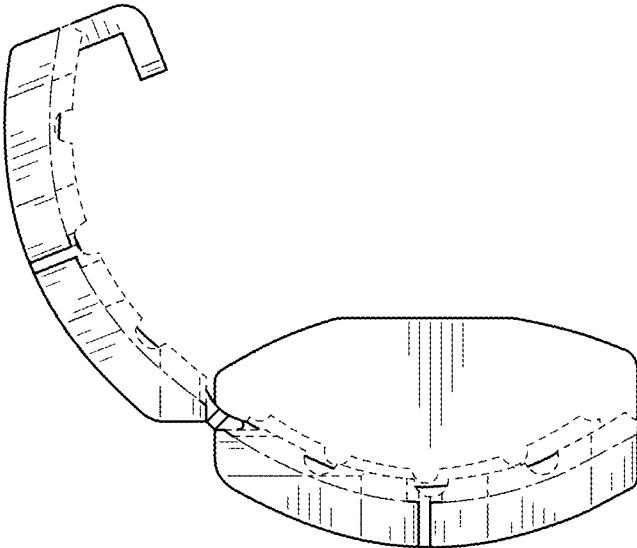


FIG. 6

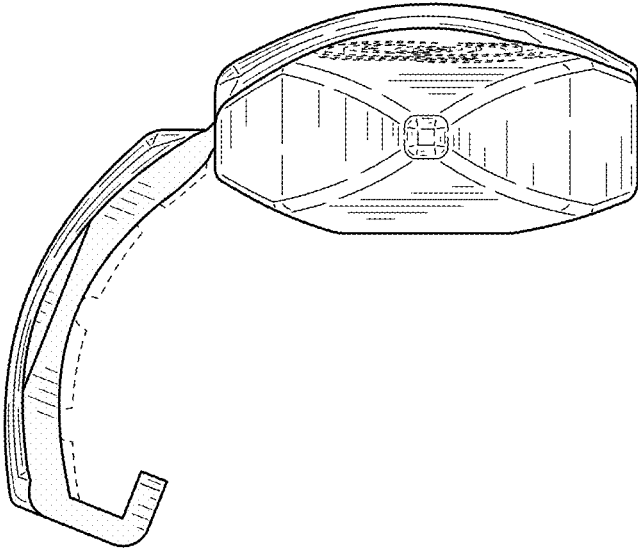


FIG. 7

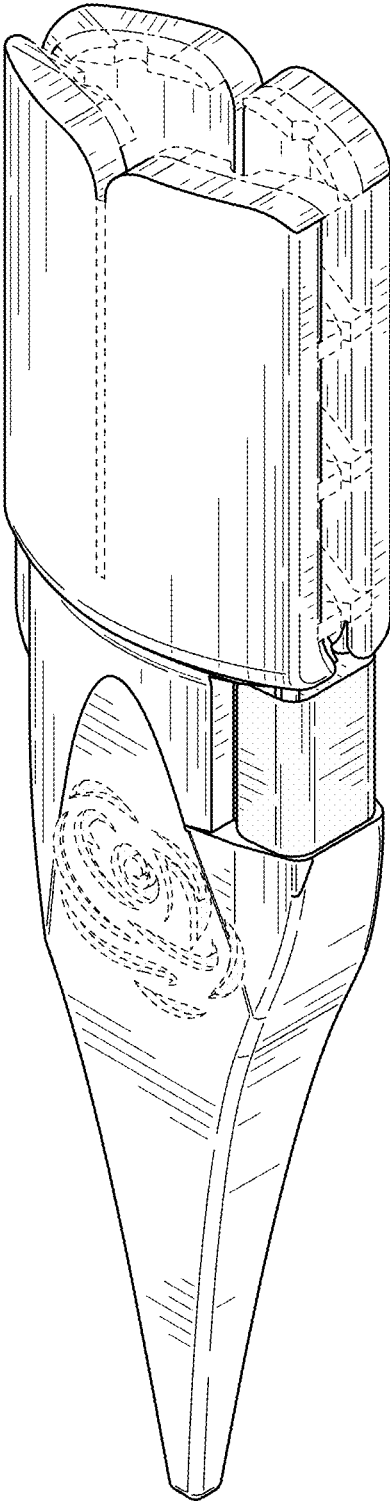


FIG. 8