



US00D574864S

(12) **United States Design Patent**
McDaniel

(10) **Patent No.:** **US D574,864 S**

(45) **Date of Patent:** **** Aug. 12, 2008**

(54) **MORTISE AND TENON ASSEMBLY**

(75) Inventor: **Steven D. McDaniel**, Humboldt, TN
(US)

(73) Assignee: **Black & Decker Inc**, Newark, DE (US)

(**) Term: **14 Years**

(21) Appl. No.: **29/264,906**

(22) Filed: **Aug. 22, 2006**

(51) **LOC (8) Cl.** **15-09**

(52) **U.S. Cl.** **D15/140**

(58) **Field of Classification Search** D15/140;

83/467.1, 468.2, 469.6; 144/71, 82, 83, 84,
144/135.2, 136.1, 137, 144.1, 144.2, 144.51,
144/198, 200-201, 204.2, 363, 371, 372;
264/303, 315; 269/245-248, 277-284

See application file for complete search history.

(56) **References Cited**

U.S. PATENT DOCUMENTS

| | | |
|-------------|---------|-------------------|
| 18,838 A | 12/1857 | Babbs |
| 266,042 A | 10/1882 | Merz |
| 475,544 A | 5/1892 | Dobbie |
| 478,544 A | 7/1892 | Cordesmant et al. |
| 610,272 A | 9/1898 | Lindwall |
| 1,262,743 A | 4/1918 | Bronson |
| 1,432,121 A | 10/1922 | Prickett |
| 1,466,312 A | 8/1923 | Morcom |
| 1,483,966 A | 2/1924 | Collins |
| 1,532,467 A | 4/1925 | Barnett |
| 1,670,074 A | 5/1928 | Mathez |
| 1,679,074 A | 7/1928 | Carter |
| 1,751,816 A | 3/1930 | Hunter |
| 1,841,043 A | 1/1932 | Moore |
| 1,863,032 A | 6/1932 | Seelinger |
| 2,036,348 A | 4/1936 | Miller |
| 2,080,859 A | 5/1937 | Drapak et al. |
| 2,260,784 A | 10/1941 | Morton |
| 2,299,602 A | 10/1942 | Teague |
| 2,607,375 A | 9/1952 | Gillespie et al. |

| | | |
|-------------|---------|-----------|
| 2,651,847 A | 9/1953 | Sacrey |
| 2,660,803 A | 12/1953 | Sacrey |
| 2,764,191 A | 9/1956 | Hartmann |
| 2,843,167 A | 7/1958 | Rushton |
| 2,890,730 A | 6/1959 | Gottlieb |
| 3,057,383 A | 10/1962 | Waite |
| 3,099,299 A | 7/1963 | Gilfry |
| 3,109,466 A | 11/1963 | Jones |
| 3,232,327 A | 2/1966 | Baranczyk |
| 3,301,287 A | 1/1967 | Edwards |

(Continued)

FOREIGN PATENT DOCUMENTS

DE 879012 6/1953

(Continued)

OTHER PUBLICATIONS

Vermont American, Industrial Dovetail Jig, Model # 23461, Manual No. 45LCN-72, Aug. 1999, USA.

(Continued)

Primary Examiner—Sandra Snapp
Assistant Examiner—Patricia Palasik
(74) *Attorney, Agent, or Firm*—Goodwin Procter LLP

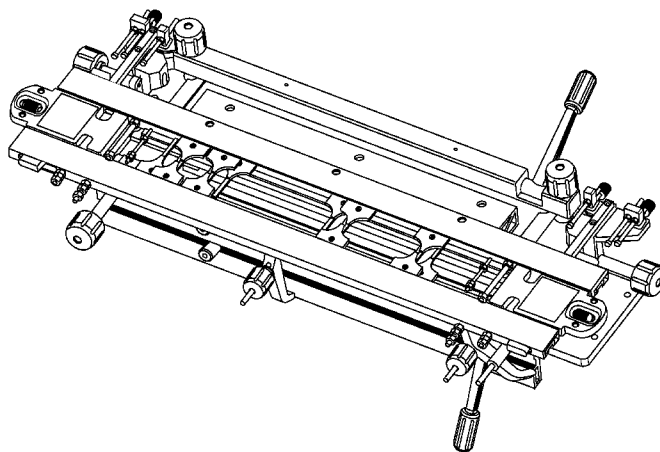
(57) **CLAIM**

The ornamental design for a mortise and tenon assembly, as shown and described.

DESCRIPTION

FIG. 1 is a perspective view of the mortise and tenon assembly.
FIG. 2 is a front elevational view thereof.
FIG. 3 is a rear elevational view thereof.
FIG. 4 is a right side elevational view thereof.
FIG. 5 is a left side elevational view thereof.
FIG. 6 is a top view thereof; and,
FIG. 7 is a bottom view thereof.

1 Claim, 7 Drawing Sheets



US D574,864 S

| U.S. PATENT DOCUMENTS | | | | |
|-----------------------|--|-------------|---------|--------------------------|
| | | 4,966,507 A | 10/1990 | Hanks |
| | | 4,977,938 A | 12/1990 | Greeson |
| | | 4,995,435 A | 2/1991 | Godfrey |
| | | 5,016,691 A | 5/1991 | Bernier |
| | | 5,052,454 A | 10/1991 | Meinhardt |
| | | 5,056,966 A | 10/1991 | Lee |
| | | 5,067,537 A | 11/1991 | Offner |
| | | 5,076,742 A | 12/1991 | Lee et al. |
| | | 5,090,461 A | 2/1992 | Gakhar et al. |
| | | 5,094,279 A | 3/1992 | Dickey et al. |
| | | 5,114,265 A | 5/1992 | Grisley |
| | | 5,123,463 A | 6/1992 | Grisley |
| | | 5,139,062 A | 8/1992 | Keller |
| | | 5,143,132 A | 9/1992 | Keller |
| | | 5,154,214 A | 10/1992 | Hagerman |
| | | 5,156,508 A | 10/1992 | Grisley |
| | | 5,174,693 A | 12/1992 | Lee et al. |
| | | 5,184,372 A | 2/1993 | Mache |
| | | 5,199,477 A | 4/1993 | Keller |
| | | 5,203,389 A | 4/1993 | Goodwin |
| | | D335,942 S | 5/1993 | Furcron |
| | | 5,222,997 A | 6/1993 | Montgomery 269/277 |
| | | D342,747 S | 12/1993 | Garcia D15/140 |
| | | 5,273,090 A | 12/1993 | Klemma |
| | | 5,284,331 A | 2/1994 | Lee et al. |
| | | 5,285,831 A | 2/1994 | Woolgar |
| | | 5,285,832 A | 2/1994 | Gibson |
| | | 5,289,861 A | 3/1994 | Hedrick |
| | | 5,305,812 A | 4/1994 | Ferencsik |
| | | D348,195 S | 6/1994 | Higgins et al. |
| | | 5,318,082 A | 6/1994 | Von Hollen |
| | | 5,325,899 A | 7/1994 | Kochling |
| | | 5,337,641 A | 8/1994 | Duginske |
| | | 5,345,983 A | 9/1994 | De Abreu |
| | | 5,396,937 A | 3/1995 | Clausen |
| | | 5,421,384 A | 6/1995 | Nuwordu |
| | | 5,423,357 A | 6/1995 | Szymanski |
| | | 5,423,360 A | 6/1995 | Taylor et al. |
| | | 5,452,751 A | 9/1995 | Engler, III et al. |
| | | 5,458,171 A | 10/1995 | Ward |
| | | 5,492,160 A | 2/1996 | McCracken |
| | | 5,494,089 A | 2/1996 | Lubbe |
| | | 5,513,437 A | 5/1996 | Whyte |
| | | 5,533,556 A | 7/1996 | Whitney |
| | | 5,562,208 A | 10/1996 | Hasler et al. |
| | | 5,564,483 A | 10/1996 | Sacchi |
| | | 5,584,328 A | 12/1996 | Grisley |
| | | 5,598,878 A | 2/1997 | Wirth, Jr. et al. |
| | | 5,617,909 A | 4/1997 | Duginske |
| | | 5,630,455 A | 5/1997 | Julien |
| | | 5,647,707 A | 7/1997 | Poulin |
| | | 5,692,861 A | 12/1997 | Stottmann |
| | | 5,694,992 A | 12/1997 | Kikuchi |
| | | 5,694,994 A | 12/1997 | Engler, III et al. |
| | | 5,697,415 A | 12/1997 | Kozyrski et al. |
| | | 5,711,356 A | 1/1998 | Grisley |
| | | 5,738,470 A | 4/1998 | Sugita |
| | | 5,738,966 A | 4/1998 | Okuno et al. |
| | | 5,779,407 A | 7/1998 | Tucker et al. |
| | | 5,807,033 A | 9/1998 | Benway |
| | | 5,809,631 A | 9/1998 | Poulin |
| | | 5,813,807 A | 9/1998 | Rogers |
| | | 5,816,300 A | 10/1998 | Rogers |
| | | 5,823,239 A | 10/1998 | Smith |
| | | 5,832,977 A | 11/1998 | Hampton |
| | | 5,853,035 A | 12/1998 | Rose |
| | | 5,862,848 A | 1/1999 | Beall |
| | | 5,868,183 A | 2/1999 | Kozyrski et al. |
| | | 5,893,402 A | 4/1999 | Darling |
| | | 5,908,061 A | 6/1999 | Blichmann |
| | | 5,918,652 A | 7/1999 | Tucker |
| | | 5,931,208 A | 8/1999 | Gifkins |
| | | 6,012,497 A | 1/2000 | Stottmann |

| | | | | |
|--------------|------|---------|----------------------|------------|
| 6,032,706 | A | 3/2000 | Lear | |
| 6,039,095 | A | 3/2000 | Newman | |
| 6,041,837 | A | 3/2000 | Hanson | |
| 6,050,559 | A | 4/2000 | de Souza | |
| 6,061,921 | A | 5/2000 | Adams et al. | |
| 6,065,913 | A | 5/2000 | Rogers | |
| 6,068,036 | A | 5/2000 | Cassidy | |
| 6,076,575 | A | 6/2000 | Harkness | |
| 6,116,303 | A | 9/2000 | Hampton | |
| 6,116,826 | A | 9/2000 | Benway | |
| 6,138,372 | A | 10/2000 | Newman | |
| 6,148,879 | A | 11/2000 | Liao | |
| 6,158,487 | A | 12/2000 | Licari | |
| 6,182,371 | B1 | 2/2001 | Newman | |
| 6,206,060 | B1 | 3/2001 | Blake | |
| 6,289,956 | B1 | 9/2001 | Shriver | |
| 6,315,017 | B1 | 11/2001 | Stottmann | |
| 6,357,194 | B1 | 3/2002 | Jones, Jr. | |
| 6,363,982 | B1 | 4/2002 | Nixon, Jr. | |
| 6,374,878 | B1 | 4/2002 | Mastley et al. | |
| 6,401,772 | B1 | 6/2002 | Beitl | |
| 6,422,276 | B1 | 7/2002 | Kevan | |
| 6,470,930 | B1 | 10/2002 | Stottmann | |
| 6,499,224 | B1 | 12/2002 | Asick | |
| 6,516,842 | B1 | 2/2003 | Chang | |
| 6,588,468 | B1 | 7/2003 | Tucker et al. | |
| 6,607,016 | B2 | 8/2003 | Jones | |
| D481,402 | S * | 10/2003 | Jenkins et al. | D15/140 |
| 6,675,849 | B1 | 1/2004 | Lackley | |
| 6,679,659 | B1 | 1/2004 | Lasch et al. | |
| 6,705,810 | B1 | 3/2004 | Sugita | |
| 6,736,173 | B1 | 5/2004 | Grisley et al. | |
| RE38,612 | E | 10/2004 | Tucker et al. | |
| 6,799,615 | B2 | 10/2004 | Smith | |
| 6,834,730 | B2 | 12/2004 | Gass et al. | |
| 6,851,900 | B2 | 2/2005 | Tillemans et al. | |
| 6,899,152 | B2 | 5/2005 | Godfrey | |
| 6,926,477 | B2 | 8/2005 | Allemann et al. | |
| D512,893 | S | 12/2005 | Cowan | |
| D538,986 | S | 3/2007 | Ingram | |
| 2001/0011564 | A1 | 8/2001 | Darling | |
| 2002/0066497 | A1 | 6/2002 | Froggatt | |
| 2003/0041709 | A1 | 3/2003 | Jones | |
| 2003/0047239 | A1 | 3/2003 | Baculy | |
| 2003/0073395 | A1 | 4/2003 | Faccin et al. | |
| 2003/0145705 | A1 | 8/2003 | Miller | |
| 2003/0159758 | A1 | 8/2003 | Smith | |
| 2003/0172993 | A1 | 9/2003 | Godfrey | |
| 2003/0196723 | A1 | 10/2003 | Tucker et al. | |
| 2003/0230359 | A1 * | 12/2003 | Schroeder | 144/144.1 |
| 2004/0126197 | A1 | 1/2004 | Allemann et al. | |
| 2004/0050451 | A1 | 3/2004 | Dahloff | |
| 2004/0149112 | A1 | 8/2004 | Snell | |
| 2004/0206865 | A1 | 10/2004 | Chang | |
| 2004/0250880 | A1 | 12/2004 | Dement | |
| 2005/0022899 | A1 | 2/2005 | Chang | |
| 2005/0056344 | A1 | 3/2005 | Friedlund | |
| 2005/0056345 | A1 | 3/2005 | Duginske | |
| 2005/0115639 | A1 | 6/2005 | Bagnall | |
| 2005/0161357 | A1 | 7/2005 | Allan et al. | |
| 2005/0236069 | A1 | 10/2005 | O'Brien | |
| 2006/0138722 | A1 * | 6/2006 | Webster et al. | 269/246 |
| 2006/0174681 | A1 | 8/2006 | Espinosa | |
| 2006/0283524 | A1 * | 12/2006 | McDaniel et al. | 144/144.51 |

FOREIGN PATENT DOCUMENTS

| | | | |
|----|----------|----|---------|
| DE | 3430496 | A1 | 2/1986 |
| DE | 3517146 | A1 | 11/1986 |
| DE | 4016834 | A1 | 11/1991 |
| DE | 4403534 | | 8/1995 |
| DE | 19715422 | A1 | 10/1998 |

| | | | |
|----|--------------|----|---------|
| DE | 19715424 | A1 | 10/1998 |
| EP | 0320869 | A2 | 12/1987 |
| FR | 2843167 | A1 | 7/2003 |
| GB | 2238752 | A | 6/1991 |
| WO | WO 02/057058 | A2 | 7/2002 |

OTHER PUBLICATIONS

Vermont American, Dovetail Fixture Kit, Owner's Manual No.23460, Feb. 1996, USA.

Fusso Machinery Corp., Easy-to-Operate Dovetail Machine, <http://fusso.trustpass.alibaba.com/product/10770195/>

Easy_to_Operate_Dovetail_Machine.html, p. 2-3, (printed Nov. 17, 2005).

Akeda DC User Manual, © 2002-2005 Akeda Jigs Incorporated; Akeda Canada, P.O. Box 700, The Old Laughing Creek Stream Works, Brackendale BC, V0N 1H0, Canada; www.akeda.com; 26 pages.

Porter-Cable, Instruction Manual, Dovetail Jig, Models 4210& 4212, May 27, 2005.

Porter-Cable Omnijig Dovetail Machines Instruction Manual, Model 7116; Part No. 888381-794; Porter-Cable Corporation, 4825 Highway 45 North, Jackson, TN 38305; <http://www.porter-cable.com>; 28 pages). (Note: #6 and #23 are the same - the manual references both 5116 and 7116).

Porter-Cable Omnijig Dovetail Machine, Parts List for 5116 Type 1, © 2005.

One (1) image of Porter-Cable Model 517, Lock Face Templet; Porter-Cable Corporation, 4825 Highway 45 North, Jackson, TN 38305; Porter-Cable Catalog, PC-912, page 137, 1995; 1 page.

One (1) image of Porter-Cable Model 517, Lock Face Templet; Porter-Cable Corporation, 4825 Highway 45 North, Jackson, TN 38305; http://media.ptg-online.com/20040310083334_517_72dpi_500.jpg; 1 page.

One (1) image of Porter-Cable Model 59381, Hinge Butt Templet; Porter-Cable Corporation, 4825 Highway 45 North, Jackson, TN 38305; Porter-Cable Catalog, PC-912, page 134, 1995; 1 page.

Two (2) images of Porter-Cable Model 59381, Hinge Butt Templet; Porter-Cable Corporation, 4825 Highway 45 North, Jackson, TN 38305; 2 pages.

Five (5) images of Porter-Cable Model 59370, Door Hinge Templet; Porter-Cable Corporation, 4825 Highway 45 North, Jackson, TN 38305; 5 pages.

Four (4) images of Rockwell Model 521, Stair Templet Without Clamping Devices; Power Tool Division/Rockwell International, Pittsburgh, PA 15208; 4 pages.

Three (3) images of Modern Woodworking by Willis H. Wagner; Illustrating use of Rockwell Model 521, Stair Templet With Clamp Devices; © 1980 The Goodheart-Wilcox Co., Inc., pp. 252-253; 3 pages.

Trend MT jig Review, http://benchmark.20m.com/reviews/TrendMortiseJig/TrendMT_JigReview.html; Nov. 9, 2005; 5 pages.

Leigh Versus Akeda Dovetail Jig, <http://benchmark.20m.com/articles/LeighVersusAkeda.html>; Nov. 9, 2005; 8 pages.

Katie Jig System brochure; Hampton House Inc., P.O. Box 7103, Greenwood, IN 46142-6421; <http://www.katijig.com/KJ8PG.pdf>; U.S. Patent Nos. 5,832,977 and 6,116,303; Nov. 9, 2005.

The Katie Jig Manual, © 1997-2000 Hampton House, Inc., P.O. box 7103, Greenwood, IN 46142-6421; <http://www.katijig.com>; U.S. Patent No. 5,832,977; Nov. 9, 2005; 34 pages.

Porter-Cable Dovetail Machines Parts List; Model 4112; Part No. 900488-0011; © 2000 Porter-Cable Corporation, 4825 Highway 45 North, Jackson, TN 38305; 1 page.

Porter-Cable Dovetail Fixture/Jig Instruction Manual, Model 4112; Part No. 900487-09-12-03; © Porter-Cable Corporation, 4825 Highway 45 North, Jackson, TN 38305; 15 pages.

Porter-Cable Omnijig Dovetail Machines Parts List, Model 7116; Parts List No. 876389-002; © 2000 Porter-Cable Corporation, 4825 Highway 45 North, Jackson, TN 38305; 3 pages.

Porter-Cable Omnijig Dovetail Machines Instruction Manual, Model 7116; Part No. 888381-794; Porter-Cable Corporation, 4825 Highway 45 North, Jackson, TN 38305; <http://www.porter-cable.com>; 28 pages).

* cited by examiner

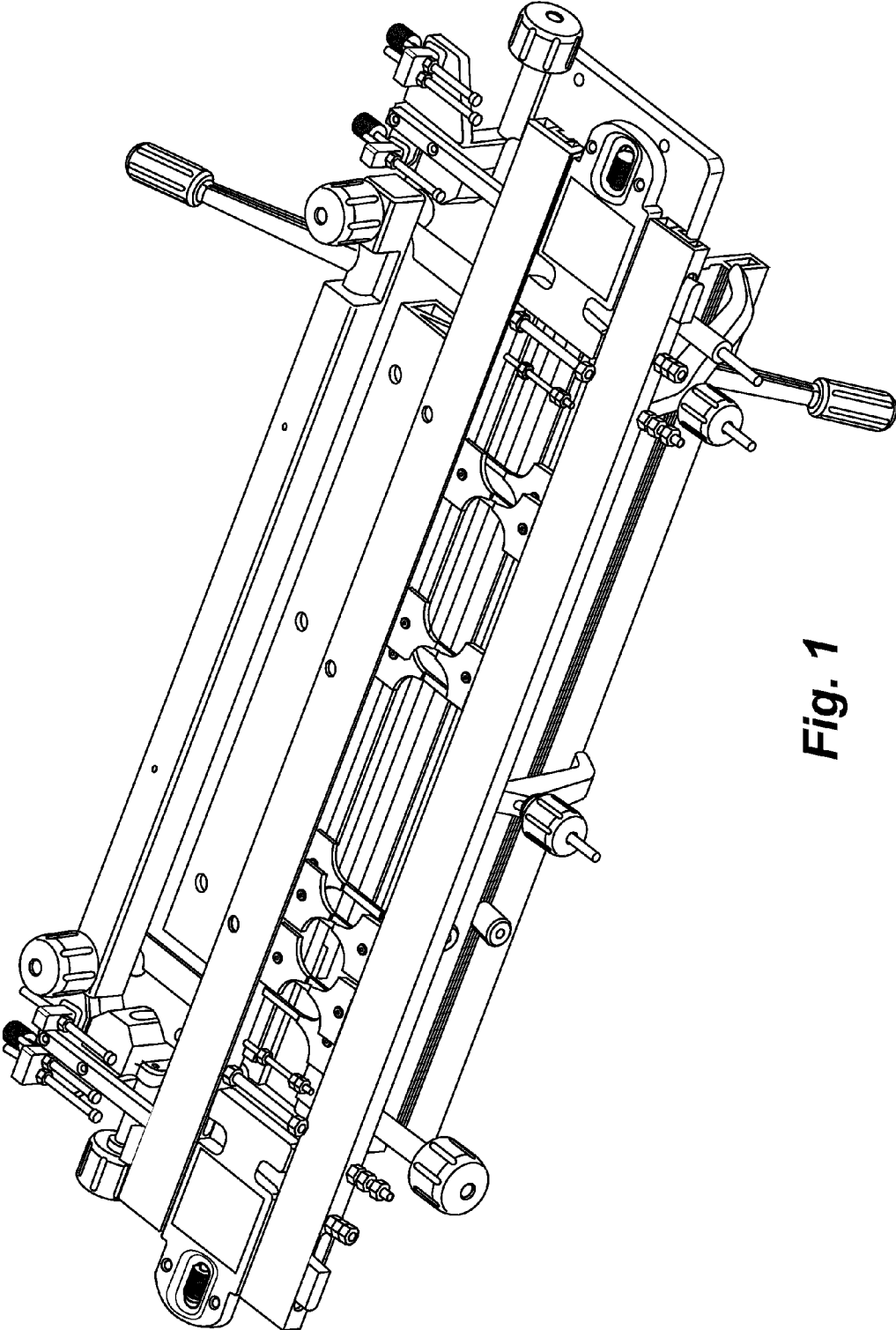


Fig. 1

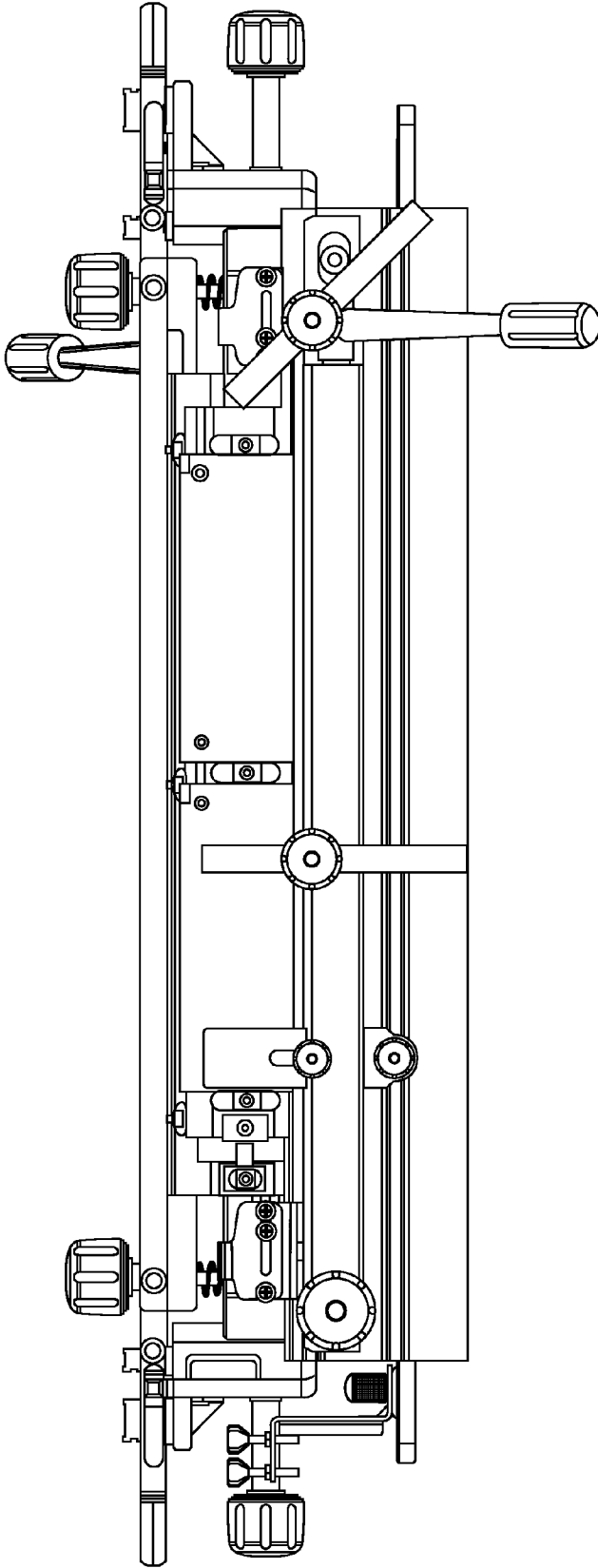


Fig. 2

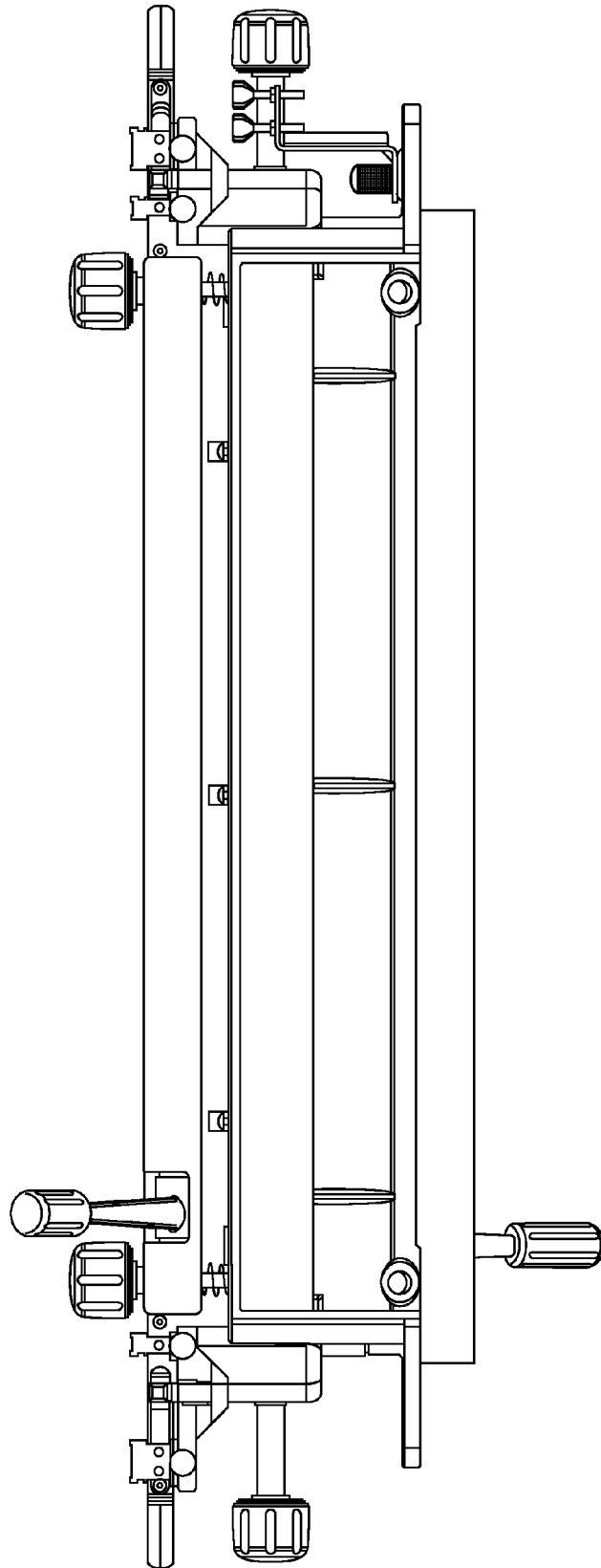


Fig. 3

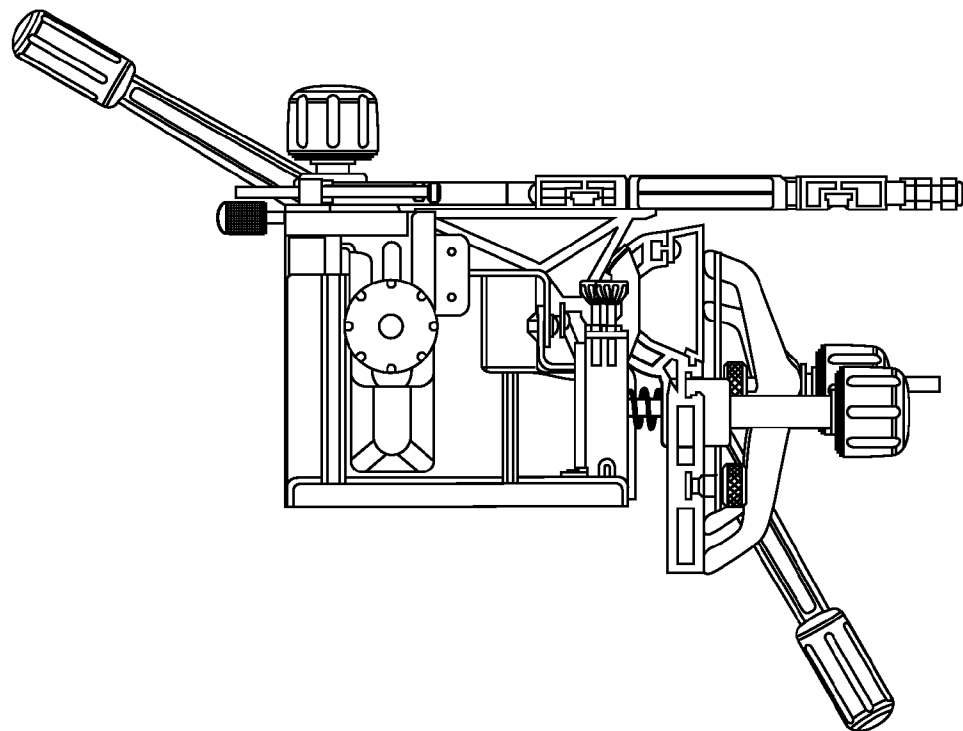


Fig. 4

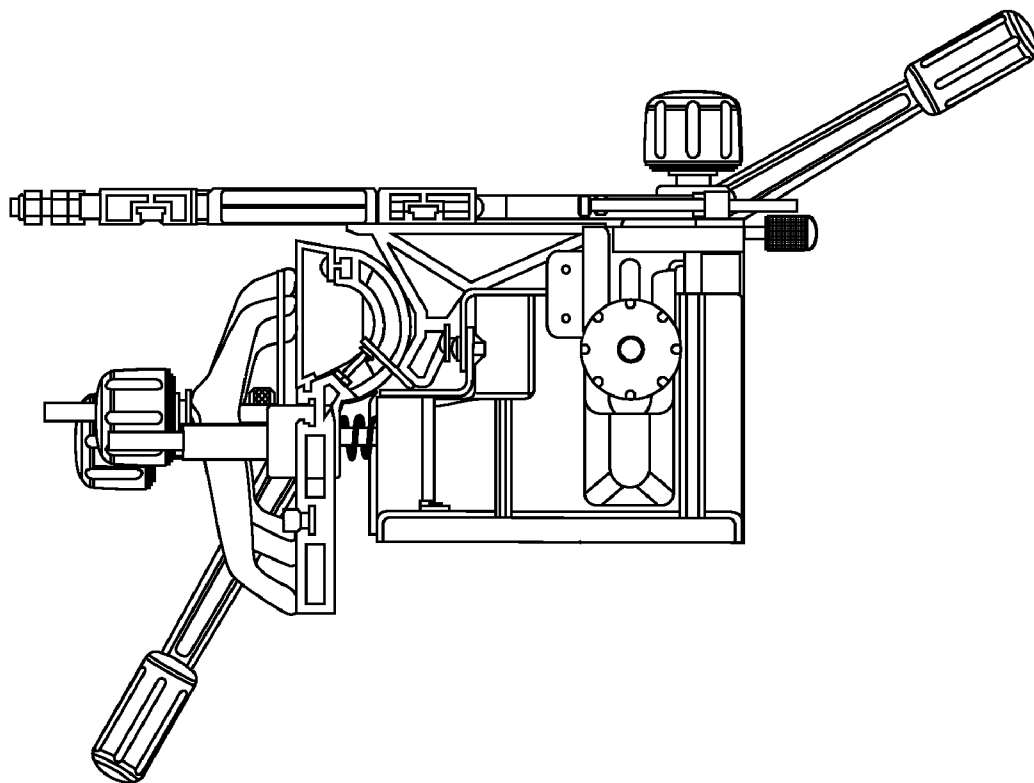


Fig. 5

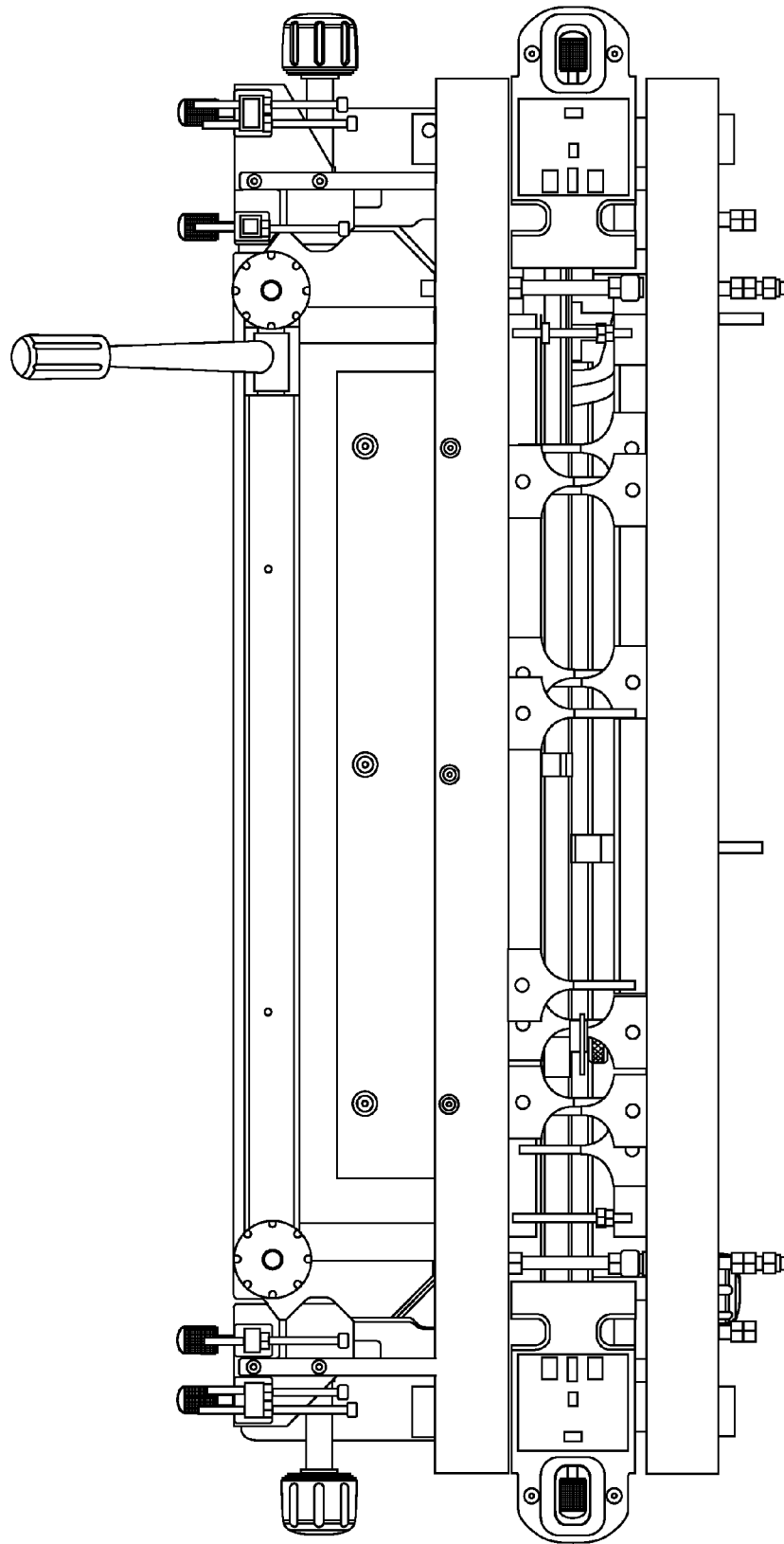


Fig. 6

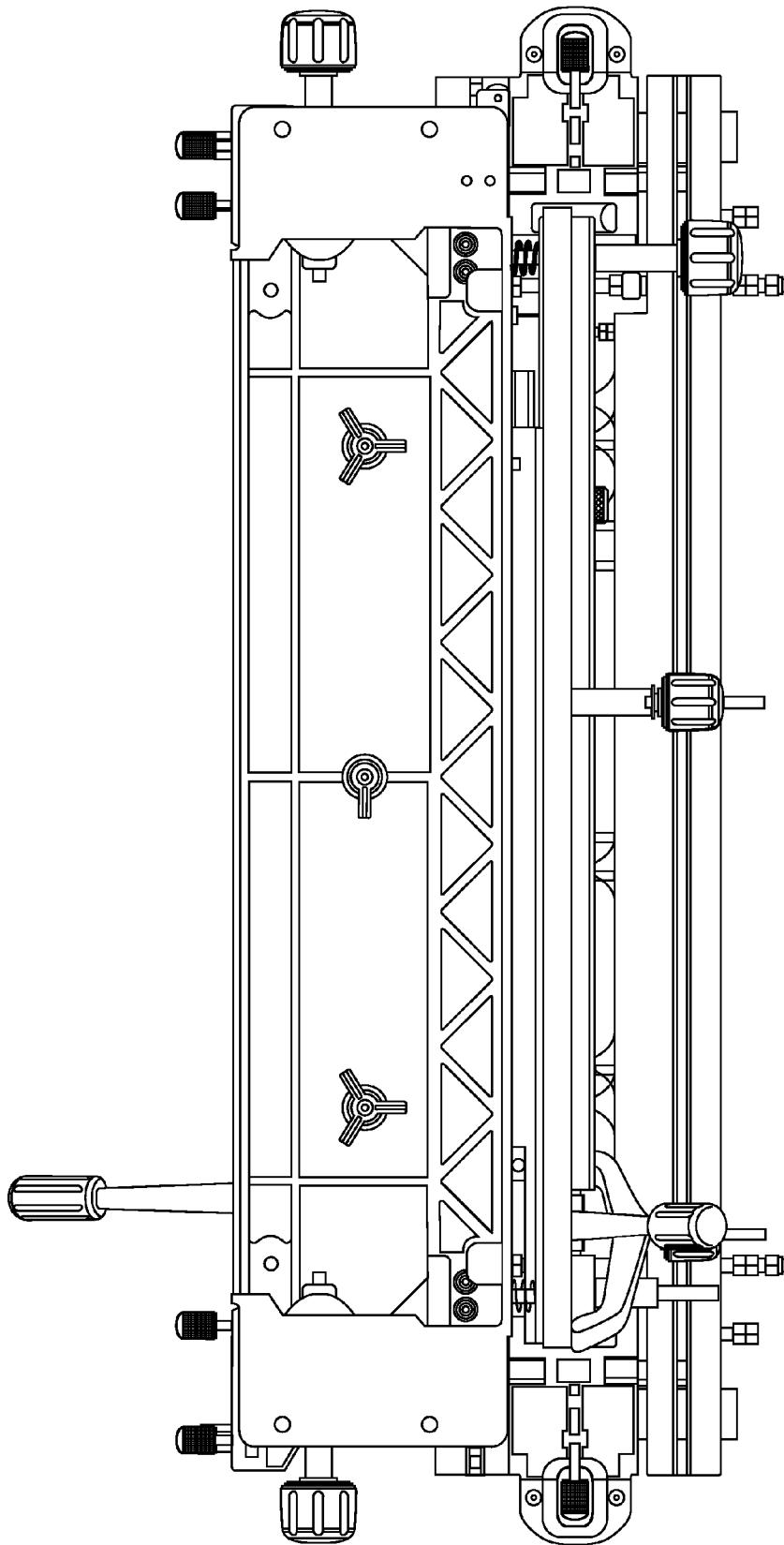


Fig. 7