



US00D748423S

(12) **United States Design Patent**  
**Chiang**

(10) **Patent No.:** **US D748,423 S**

(45) **Date of Patent:** **\*\* Feb. 2, 2016**

- (54) **BARBECUE GRILL**
- (71) Applicant: **Tzu-Yun Chiang**, Taichung (TW)
- (72) Inventor: **Tzu-Yun Chiang**, Taichung (TW)
- (\*\*) Term: **14 Years**
- (21) Appl. No.: **29/496,883**
- (22) Filed: **Jul. 18, 2014**
- (51) **LOC (10) Cl.** ..... **07-02**
- (52) **U.S. Cl.**  
USPC ..... **D7/334**
- (58) **Field of Classification Search**  
USPC ..... D7/332, 334-337, 402-405, 417, 338,  
D7/348; 126/275 E  
CPC ..... A47J 37/0704; A47J 37/0763; A47J  
37/0745; A47J 37/0713; A47J 37/0768;  
A47J 37/079; A47J 36/26; A47J 39/00;  
F24B 1/205; F24B 1/02; F24B 15/04; F24C  
3/14; F24C 3/027; F24C 15/08; F47J 33/00;  
B65D 7/26; B65D 7/24; A23B 4/052  
See application file for complete search history.

- D572,072 S \* 7/2008 Chung ..... D7/334
- D618,483 S \* 6/2010 Chung ..... D7/334
- D657,181 S \* 4/2012 Chung ..... D7/334
- D679,128 S \* 4/2013 Davis ..... D7/334

\* cited by examiner

*Primary Examiner* — Ruth McInroy  
(74) *Attorney, Agent, or Firm* — The Weintraub Group, P.L.C.

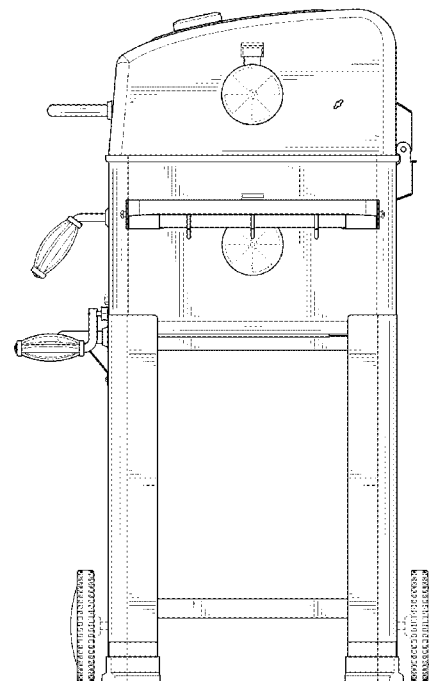
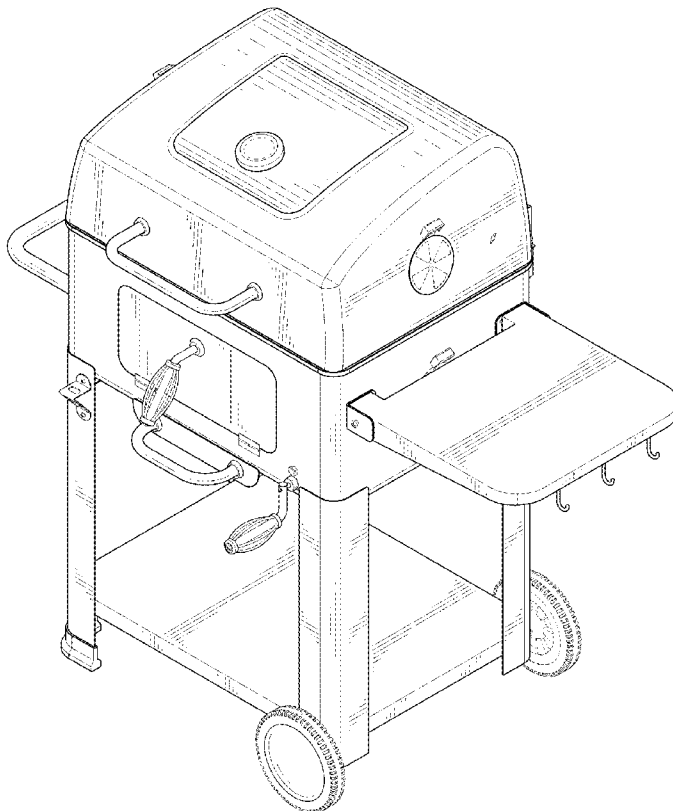
(57) **CLAIM**  
The ornamental design for a barbecue grill, as shown and described.

**DESCRIPTION**

FIG. 1 is a perspective view of a barbecue grill showing my new design;  
FIG. 2 is a front view thereof;  
FIG. 3 is a rear view thereof;  
FIG. 4 is a left side view thereof;  
FIG. 5 is a right side view thereof;  
FIG. 6 is a top view thereof;  
FIG. 7 is a bottom view thereof; and,  
FIG. 8 is another perspective view thereof.  
The portions of the figures shown in broken lines are shown for illustrative purposes only and form no part of the claimed design.

- (56) **References Cited**  
**U.S. PATENT DOCUMENTS**  
D494,406 S \* 8/2004 Zhang ..... D7/334  
D550,023 S \* 9/2007 Chung ..... D7/334

**1 Claim, 8 Drawing Sheets**



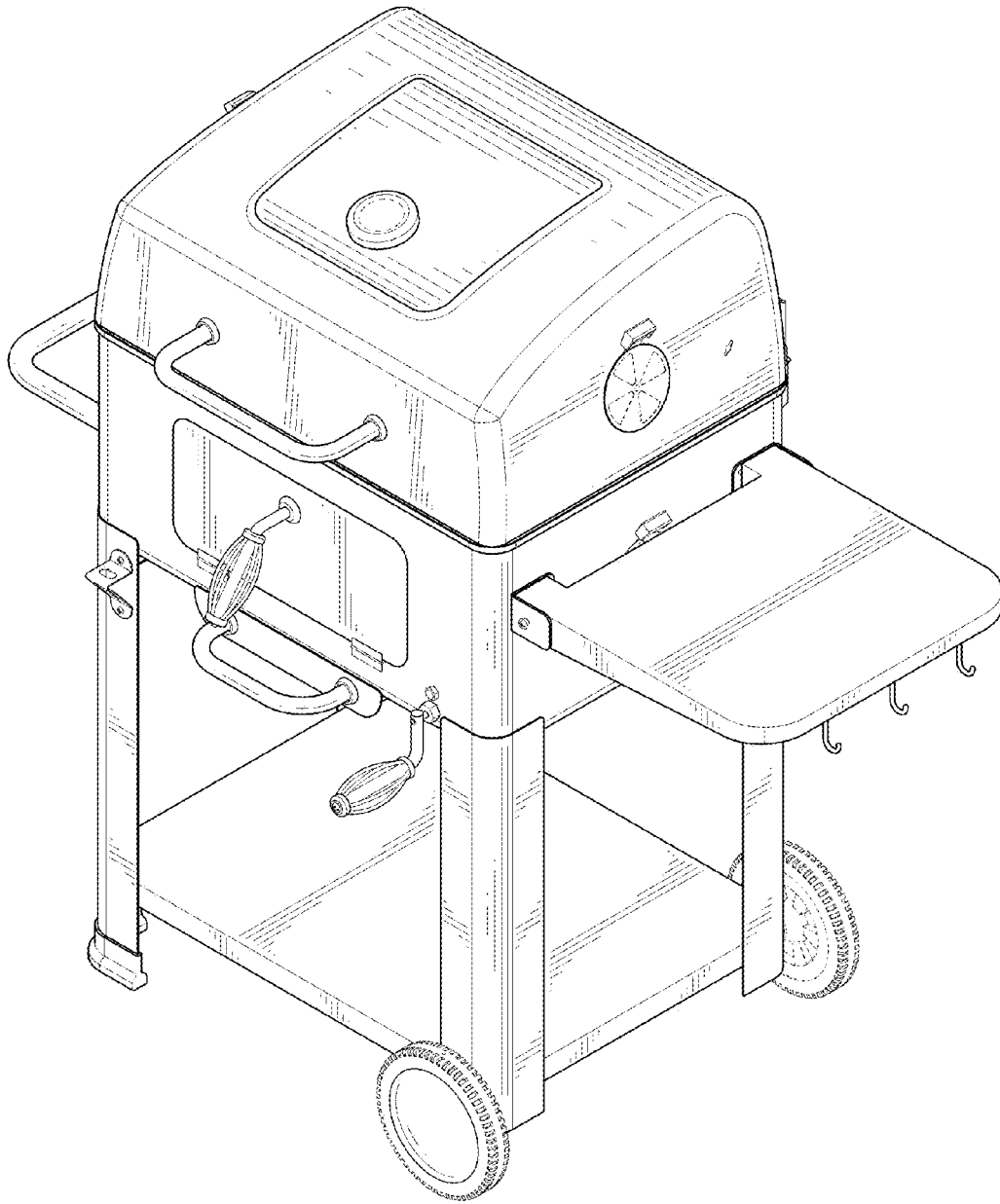


FIG.1

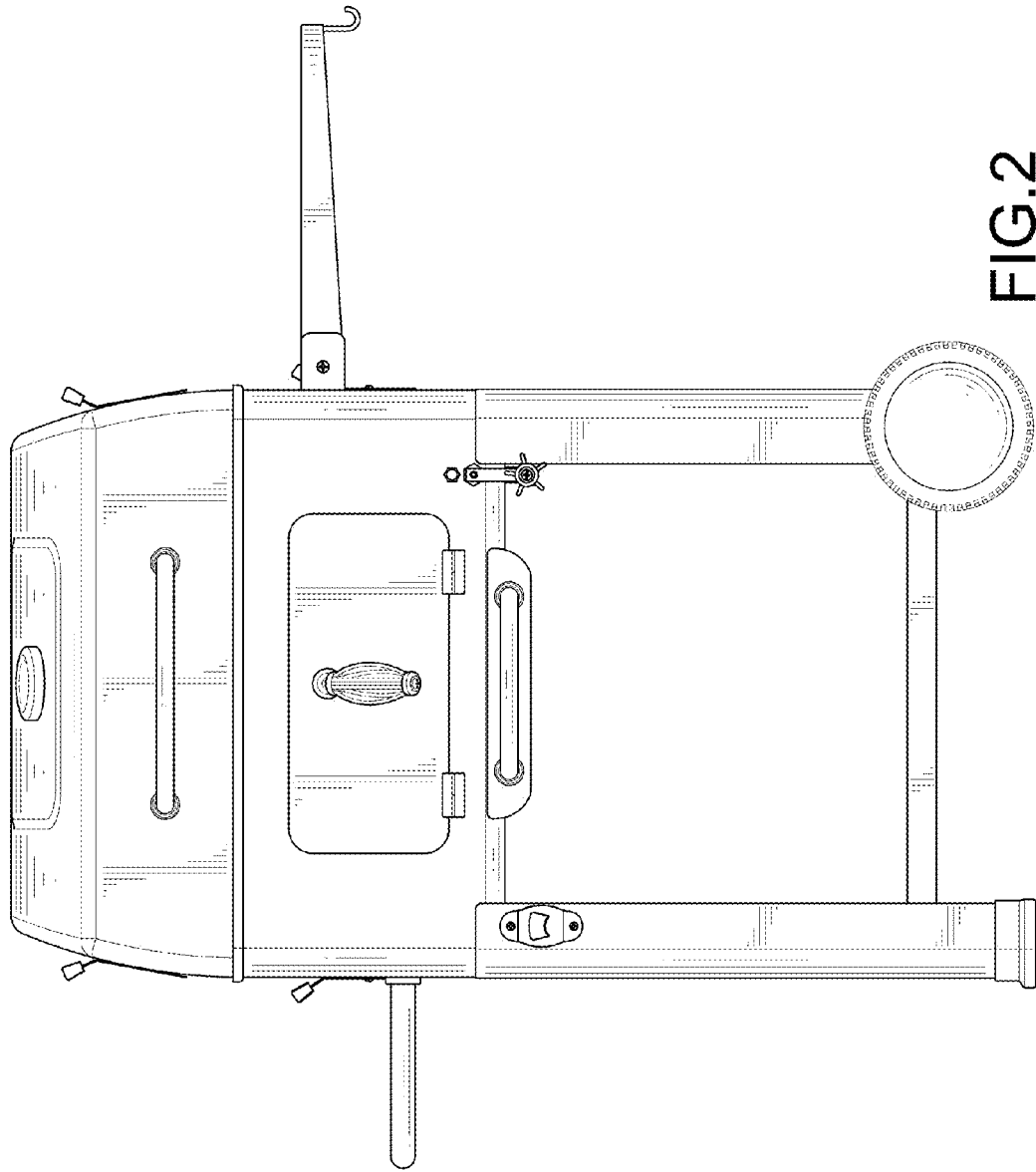


FIG. 2

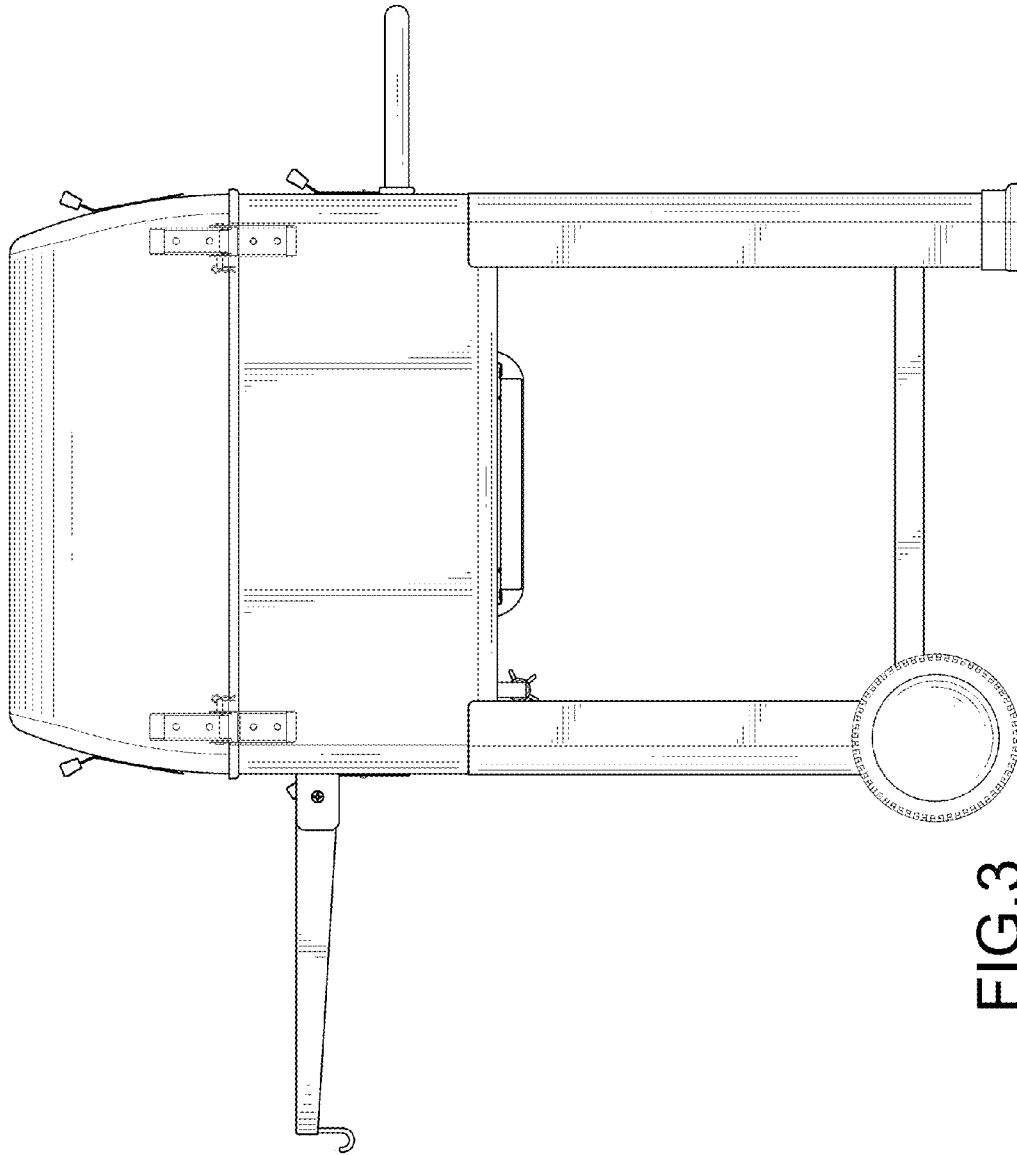


FIG. 3

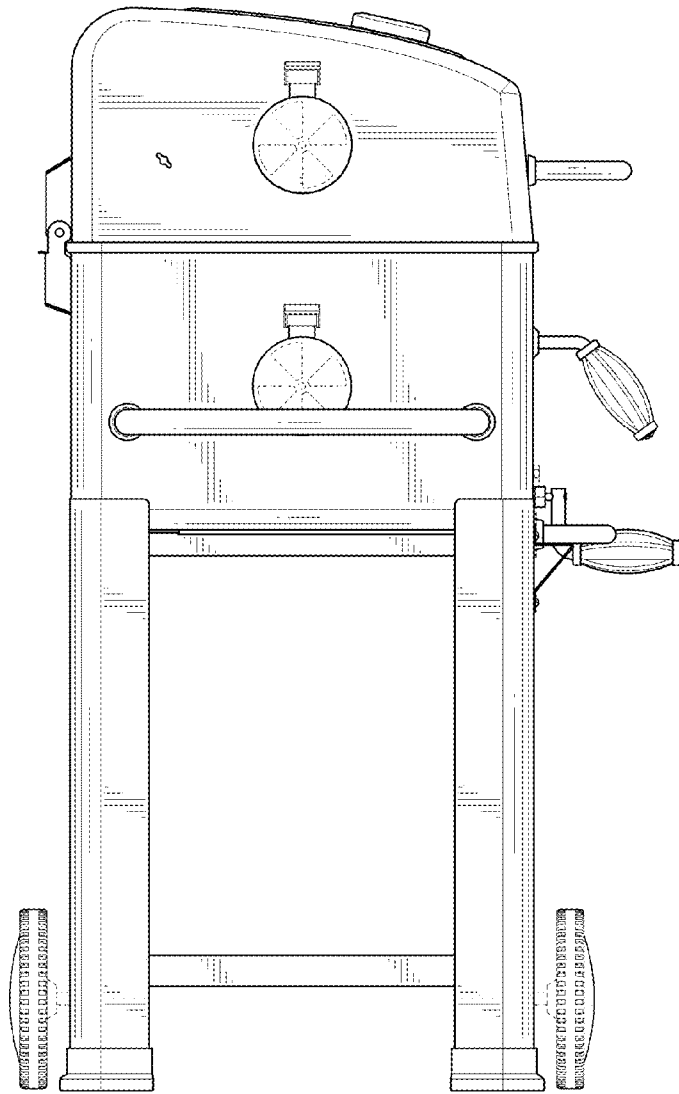


FIG.4

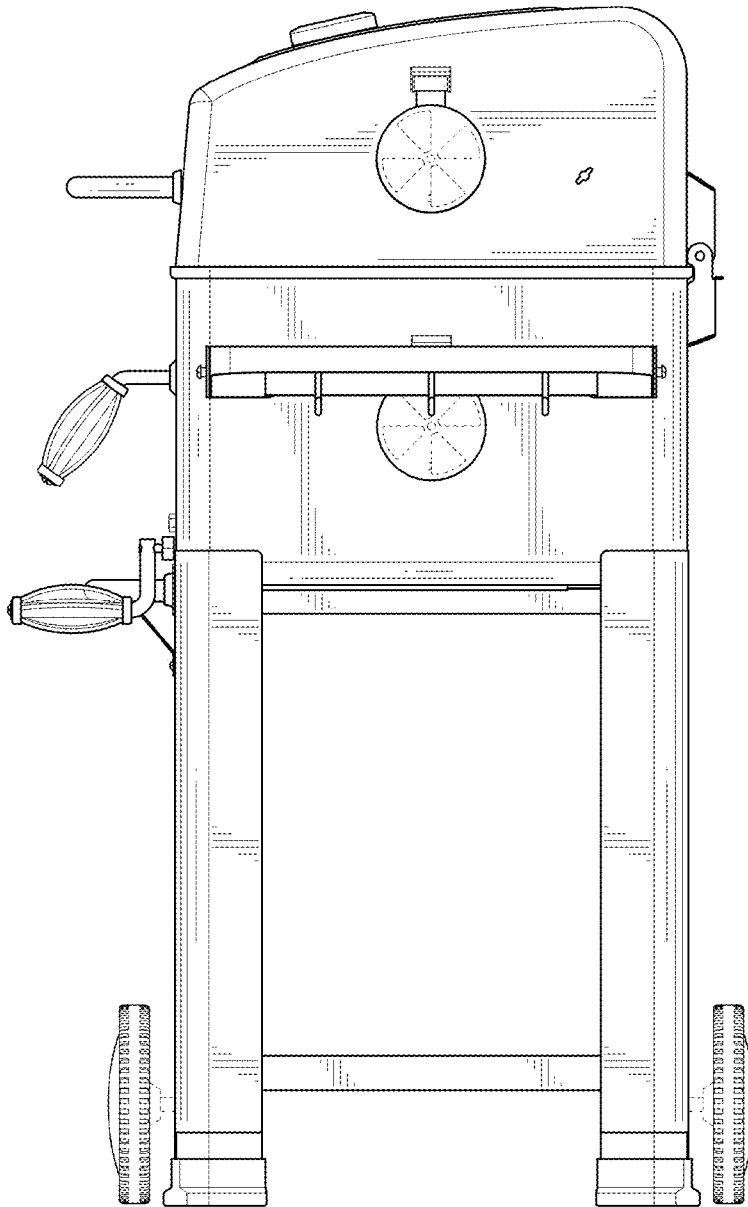


FIG. 5

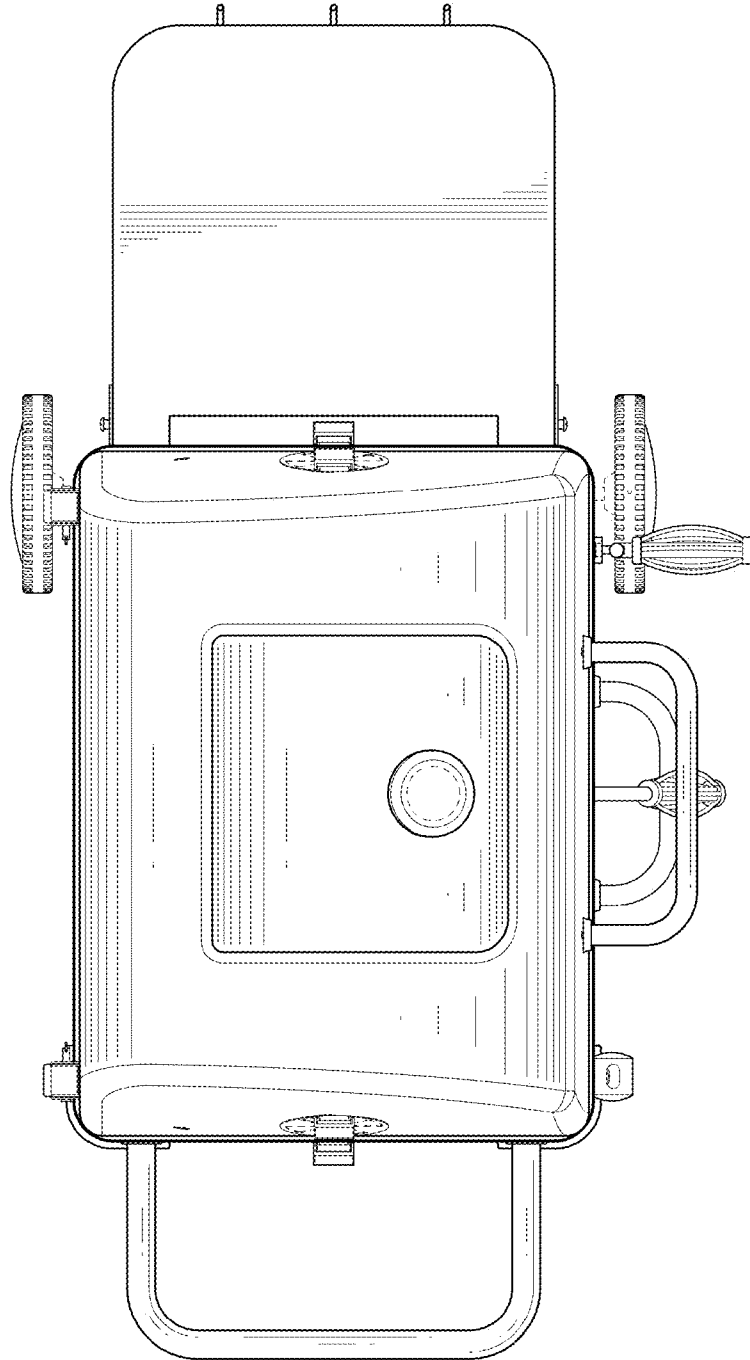


FIG.6

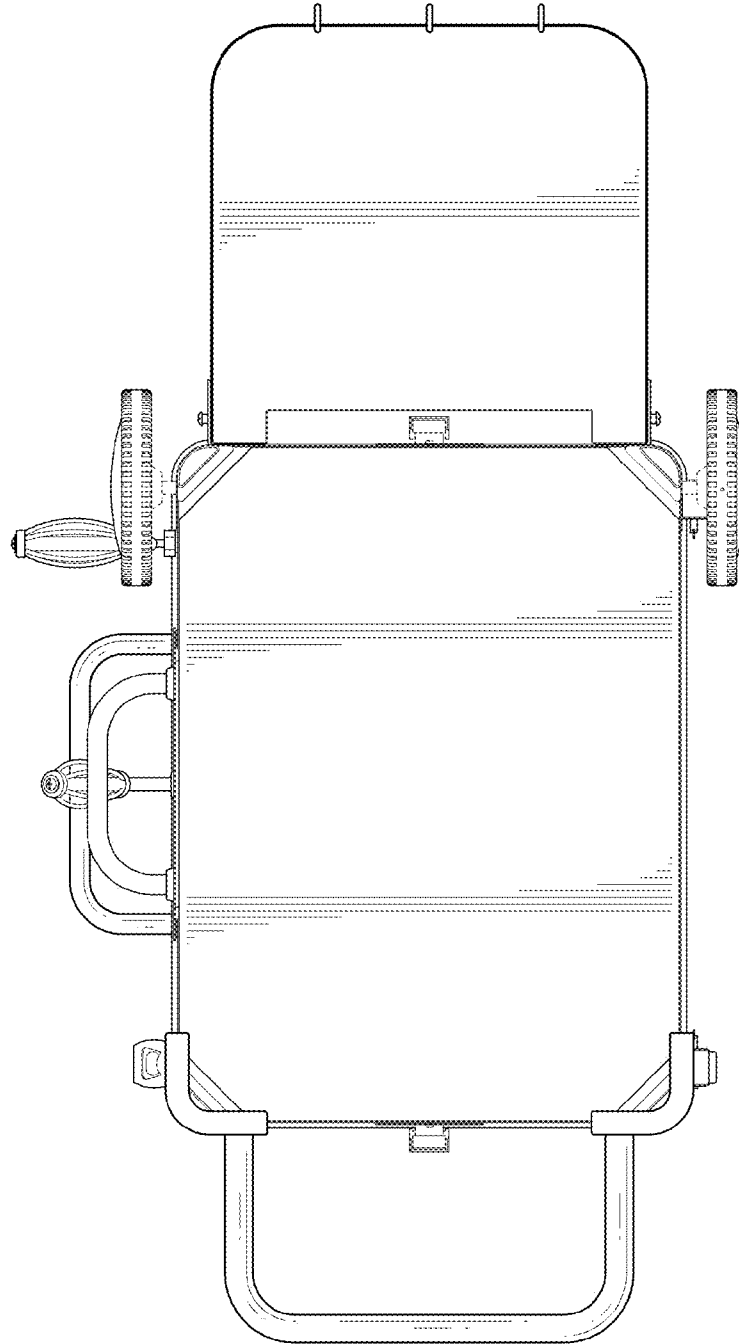


FIG.7



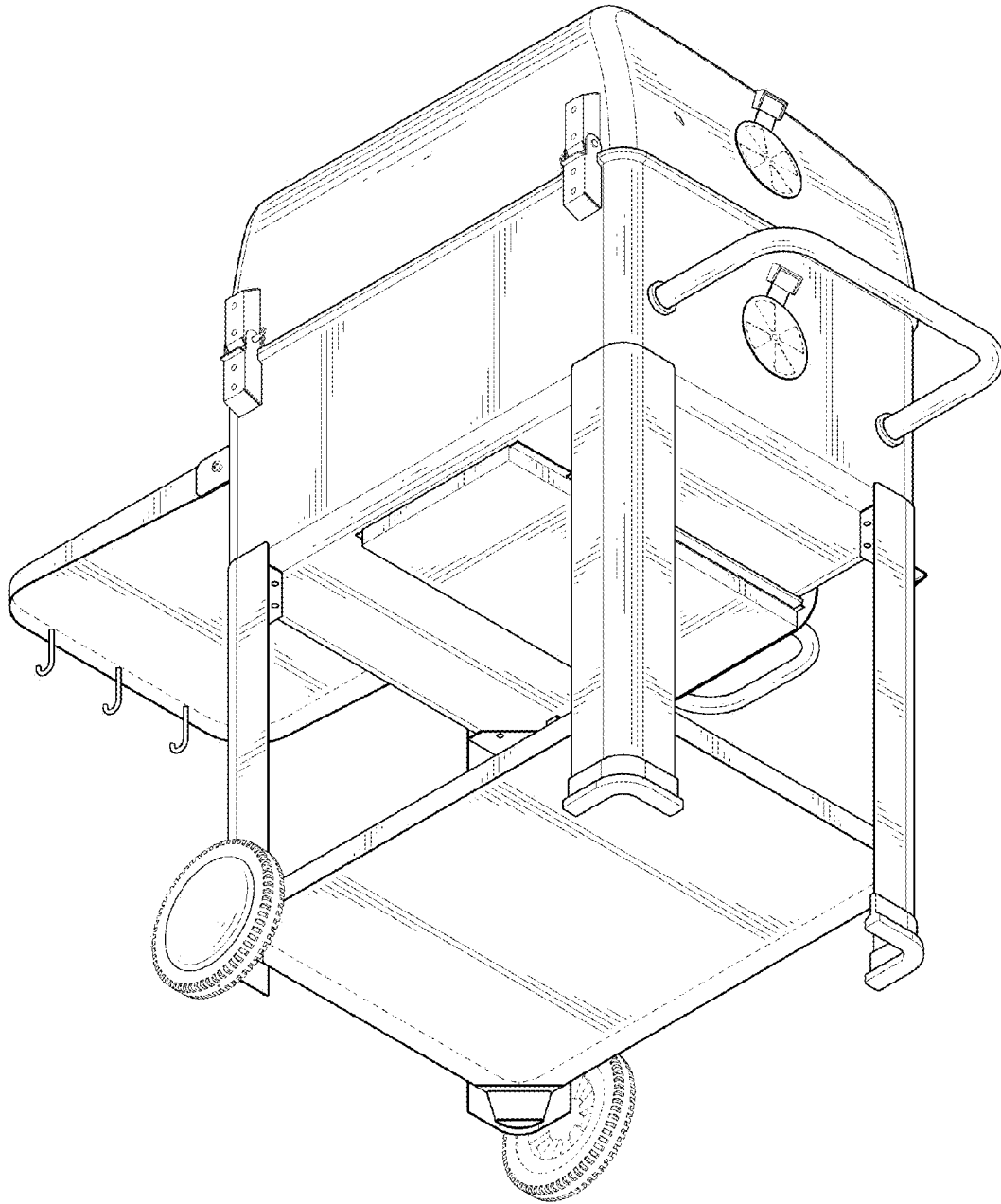


FIG.8