



(12) **United States Design Patent**  
**Cetta et al.**

(10) **Patent No.:** **US D859,663 S**  
(45) **Date of Patent:** **\*\* Sep. 10, 2019**

(54) **ORTHODONTIC ELASTIC ATTACHMENT FOR USE WITH DENTAL ALIGNERS**

(71) Applicant: **TH!NK Innovations, LLC**,  
Moorestown, NJ (US)

(72) Inventors: **Christopher N. Cetta**, St. Petersburg,  
FL (US); **Richard A. Kaye**,  
Moorestown, NJ (US)

(73) Assignee: **TH!NK Innovations, LLC**,  
Moorestown, NJ (US)

(\*\*) Term: **15 Years**

(21) Appl. No.: **29/639,669**

(22) Filed: **Mar. 7, 2018**

(51) **LOC (12) Cl.** ..... **24-02**

(52) **U.S. Cl.**

USPC ..... **D24/180**

(58) **Field of Classification Search**

USPC ..... D24/180-182, 127-128, 156  
CPC ... A61F 5/566; A61F 5/56; A61C 7/08; A61C  
7/10; A61C 7/12; A61C 7/22; A61C 7/36;  
A61C 7/00

See application file for complete search history.

(56) **References Cited**

**U.S. PATENT DOCUMENTS**

5,183,388	A *	2/1993	Kumar	.....	A61C 7/36
					433/19
6,036,488	A *	3/2000	Williams	.....	A61C 7/10
					433/17
6,418,933	B1 *	7/2002	Strong	.....	A61F 5/566
					128/848
7,018,202	B2 *	3/2006	Teramoto	.....	A61C 7/10
					433/18
7,077,646	B2 *	7/2006	Hilliard	.....	A61C 7/00
					433/18

D641,476	S *	7/2011	Sibhatu	.....	D24/156
7,987,854	B2 *	8/2011	Arni	.....	A61F 5/566
					128/848
D685,098	S *	6/2013	Tompkins	.....	D24/180
9,237,941	B2 *	1/2016	Hayes	.....	A61C 7/36
9,393,085	B2 *	7/2016	Mohr	.....	A61C 7/36
2006/0234180	A1 *	10/2006	Huge	.....	A61C 7/36
					433/19
2009/0032030	A1 *	2/2009	Callender	.....	A61F 5/566
					128/845
2018/0153643	A1 *	6/2018	Lambert	.....	A61F 5/566

\* cited by examiner

*Primary Examiner* — Wan Laymon

(74) *Attorney, Agent, or Firm* — Carr & Ferrell LLP

(57) **CLAIM**

The ornamental design for an orthodontic elastic attachment for use with dental aligners, as shown and described.

**DESCRIPTION**

FIG. 1 is an oblique view of the first embodiment of an orthodontic elastic attachment for use with dental aligners, showing our new design;

FIG. 2 is a facial view thereof;

FIG. 3 is a lingual view thereof;

FIG. 4 is a mesial view thereof;

FIG. 5 is a distal view thereof;

FIG. 6 is an occlusal view thereof;

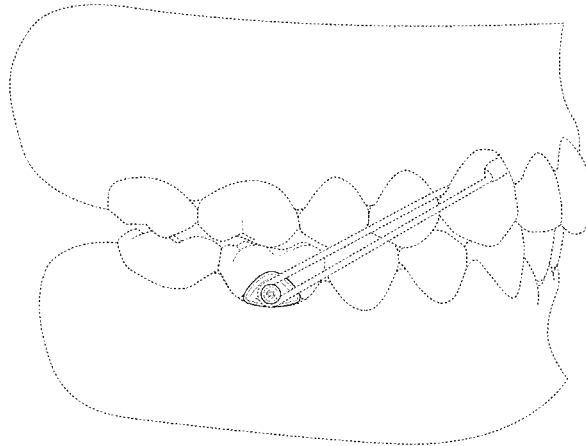
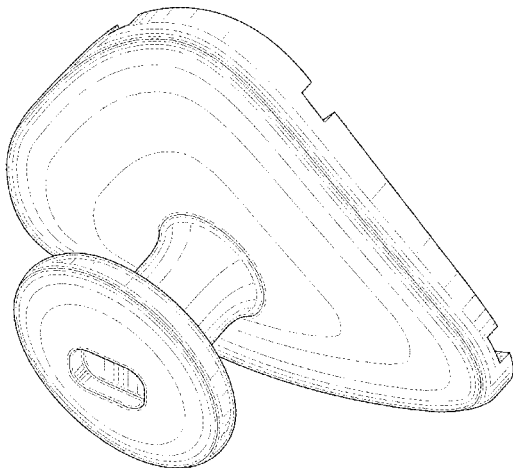
FIG. 7 is a gingival view thereof;

FIG. 8 is a facial view as applied with aligner and elastic band embodiments on the teeth thereof; and,

FIG. 9 is an alternative facial view showing the intimate fit between the aligner button, tooth surface, and the aligner cutout window thereof.

The broken lines are for environmental purposes only and form no part of the claimed design.

**1 Claim, 8 Drawing Sheets**



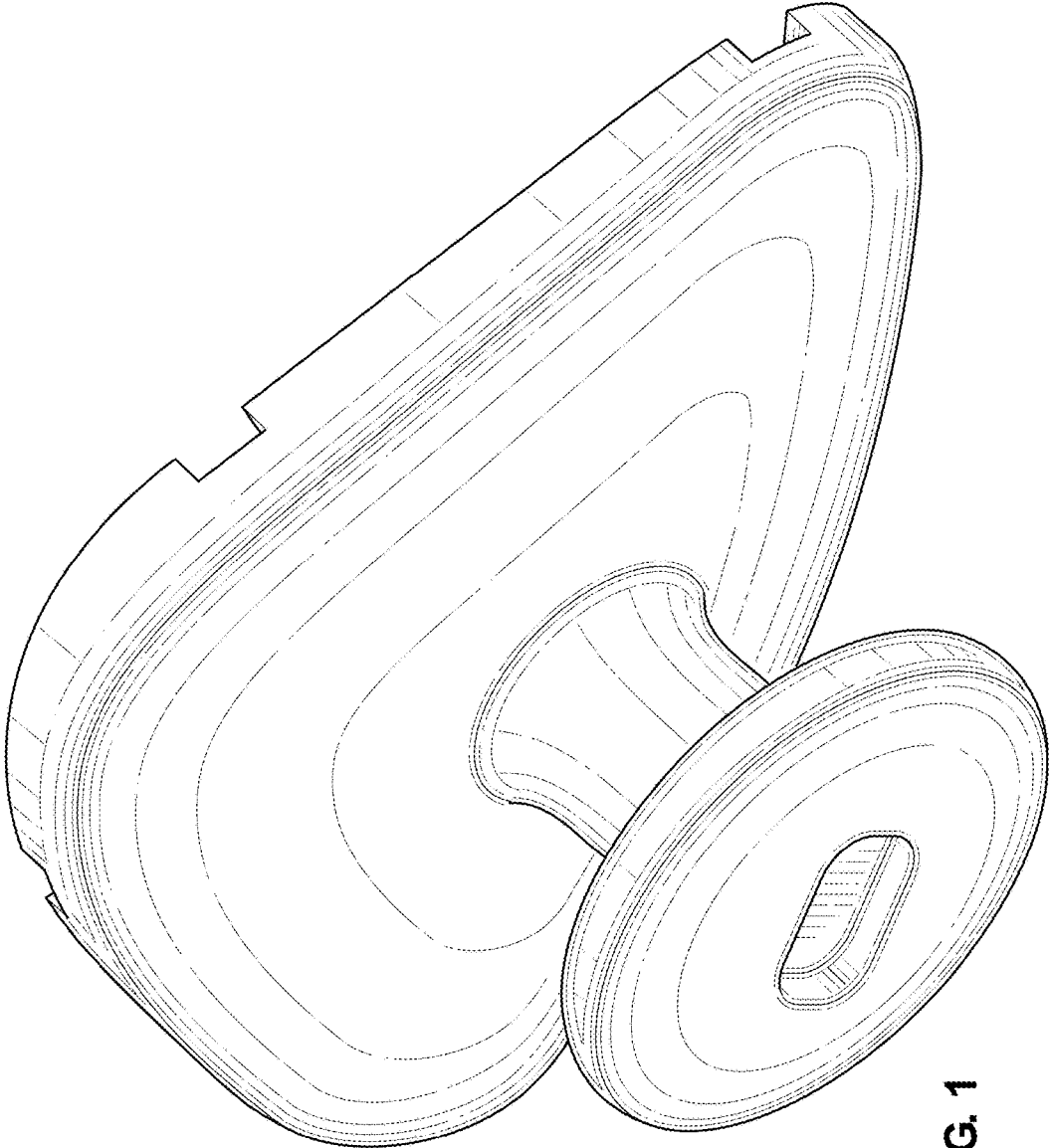


FIG. 1

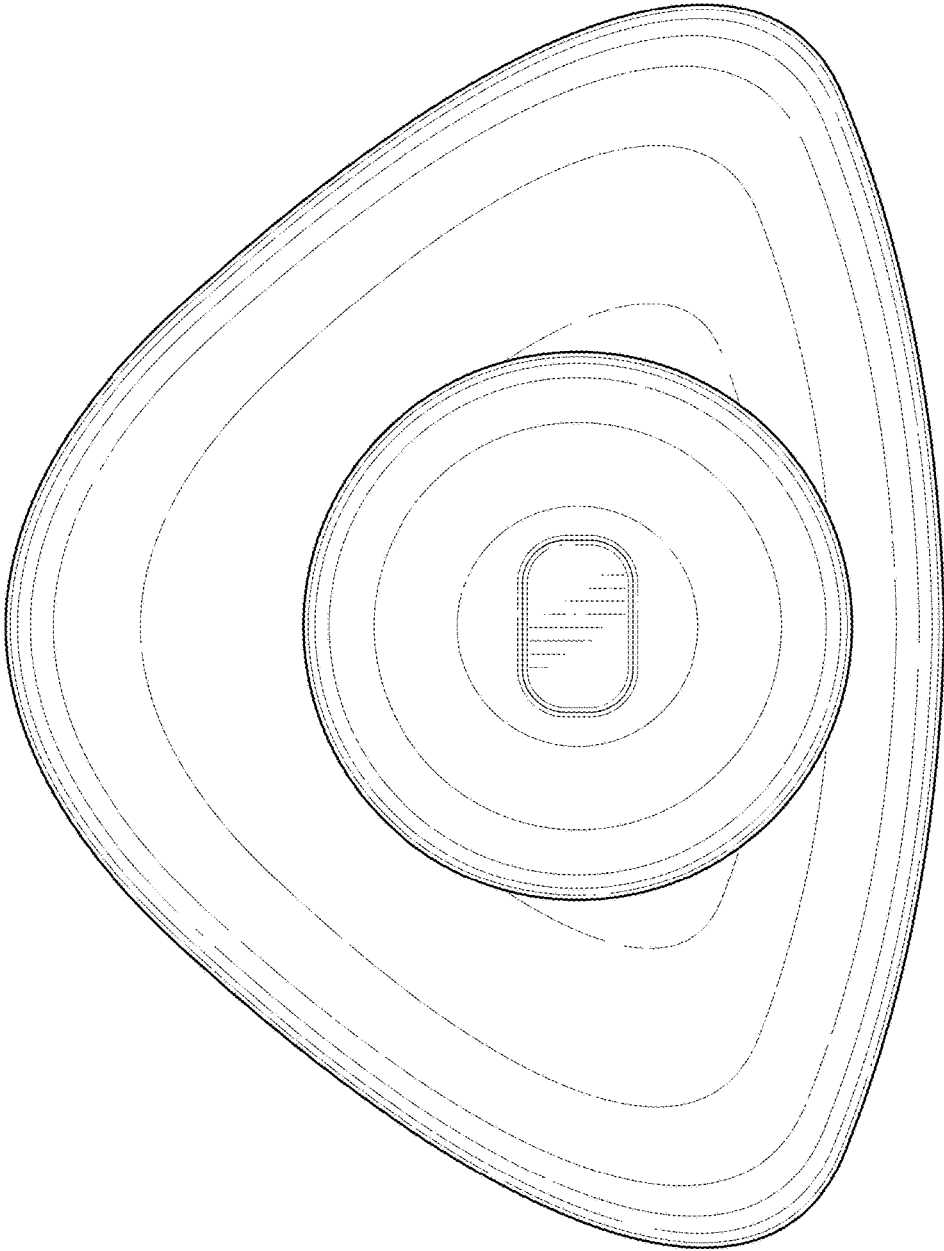


FIG. 2

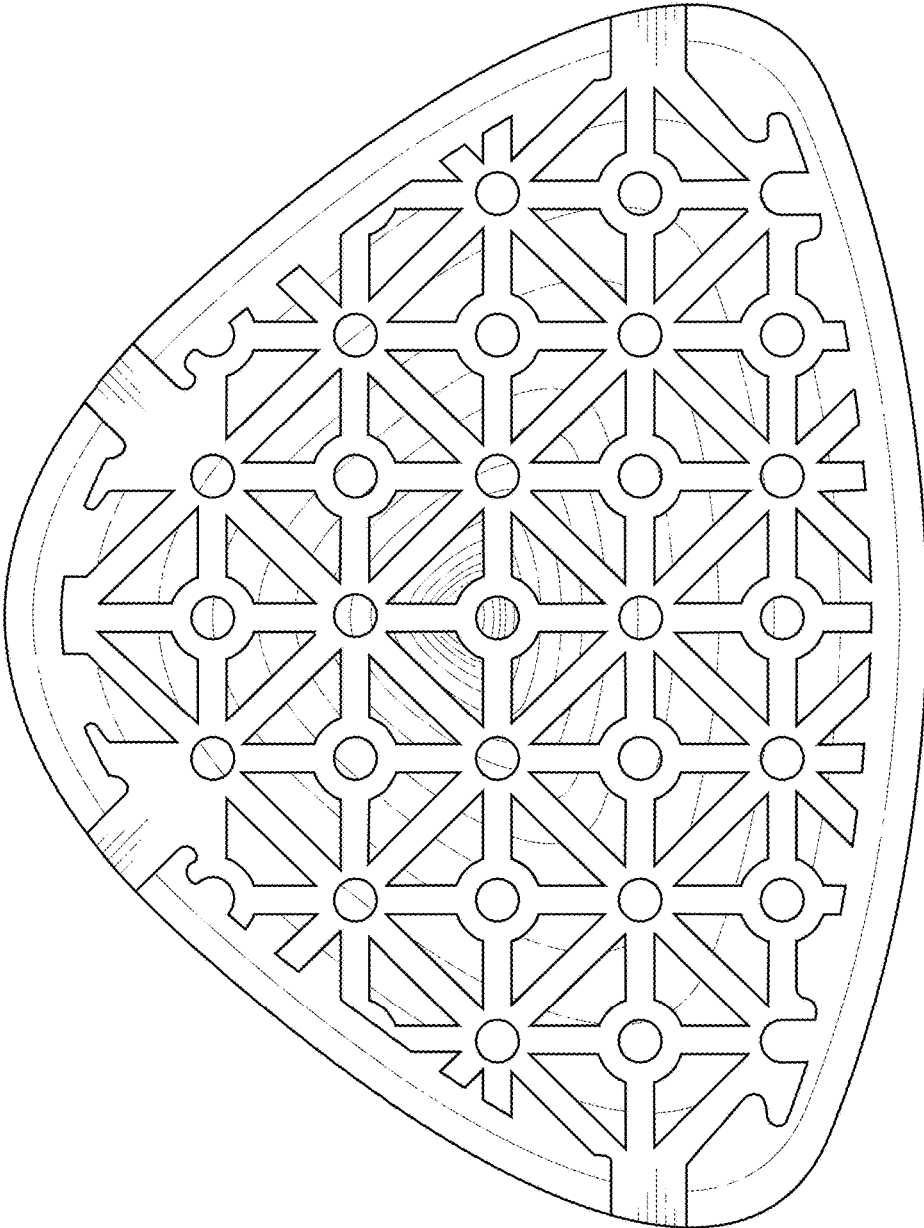


FIG. 3

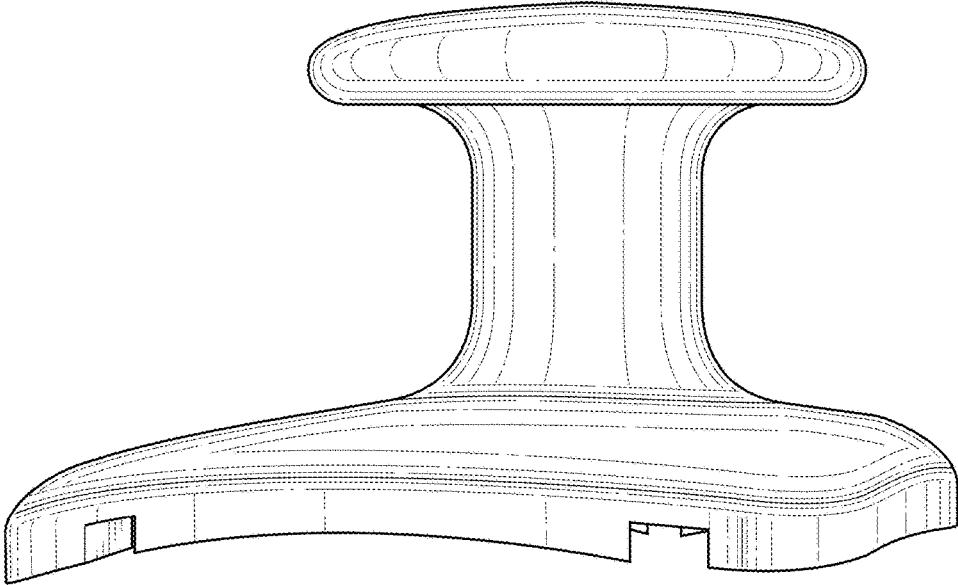


FIG. 5

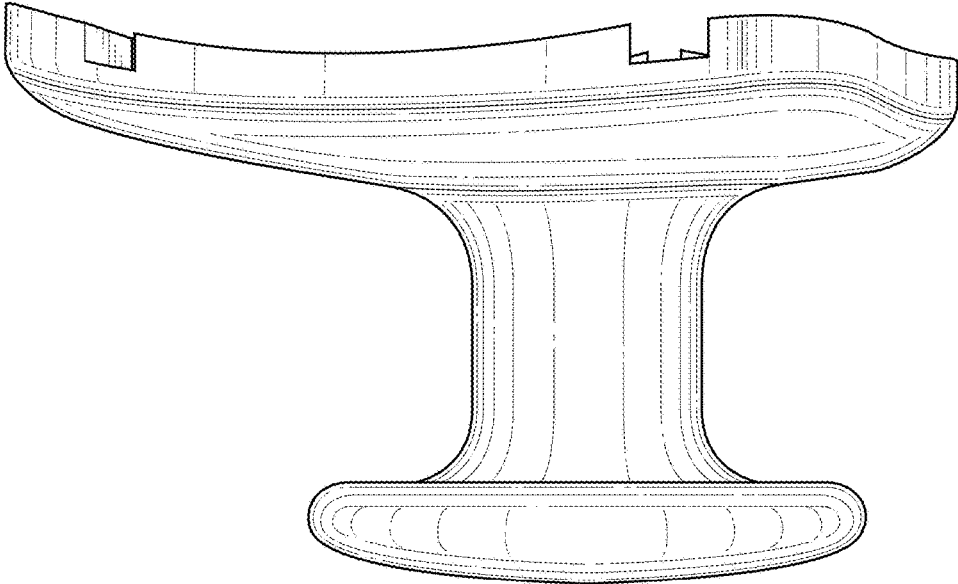


FIG. 4

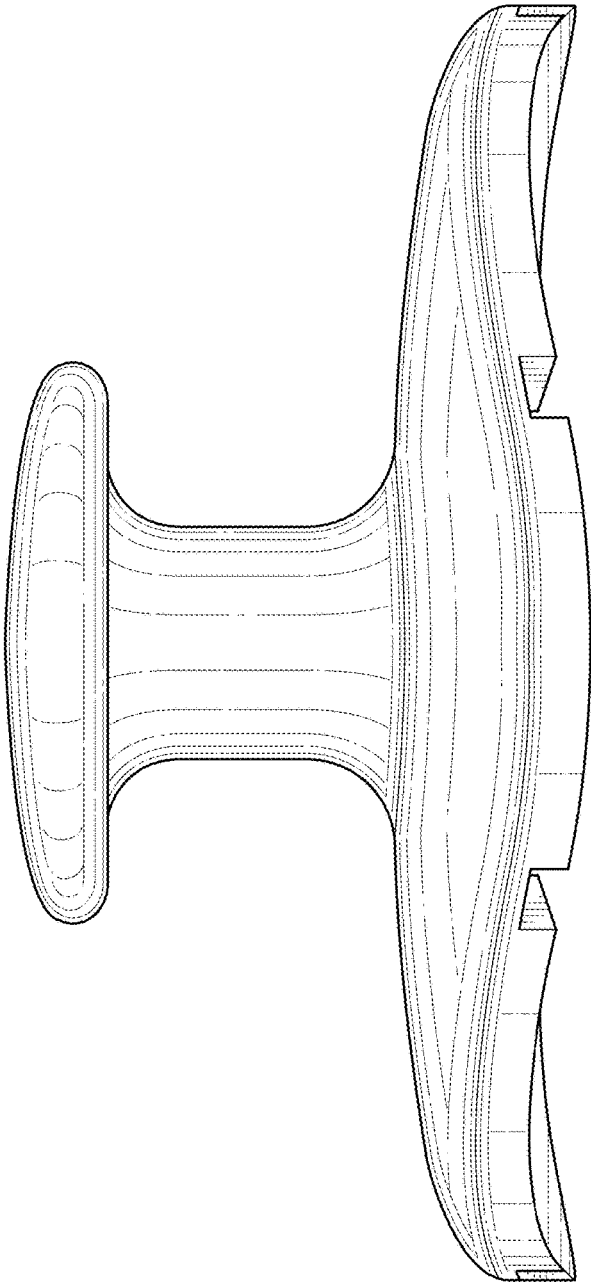


FIG. 6

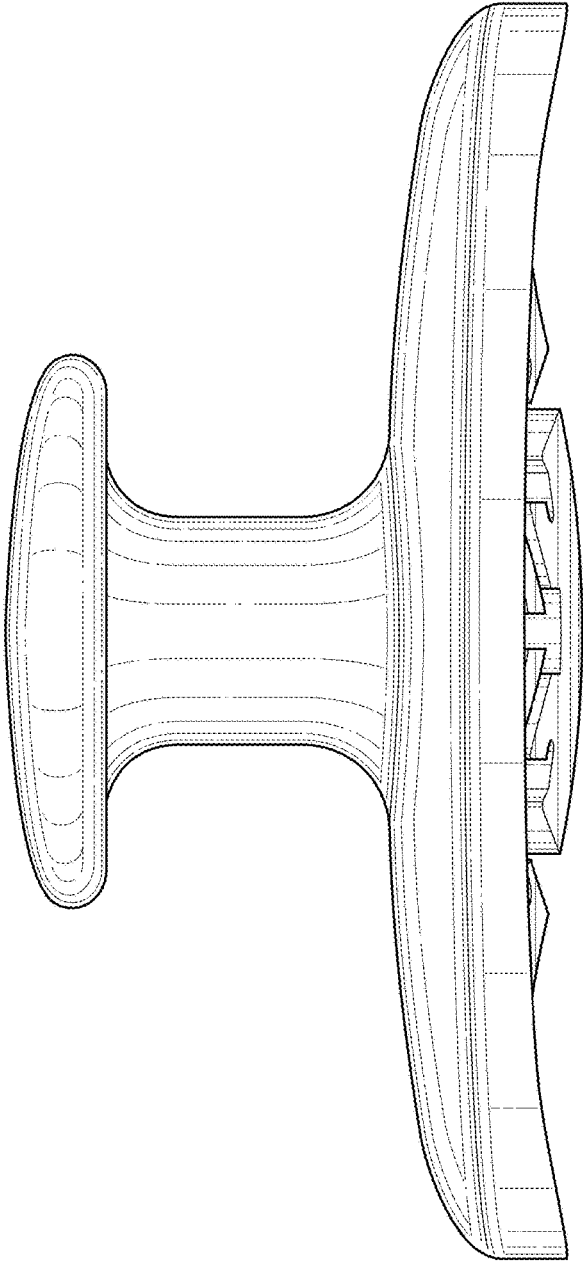


FIG. 7

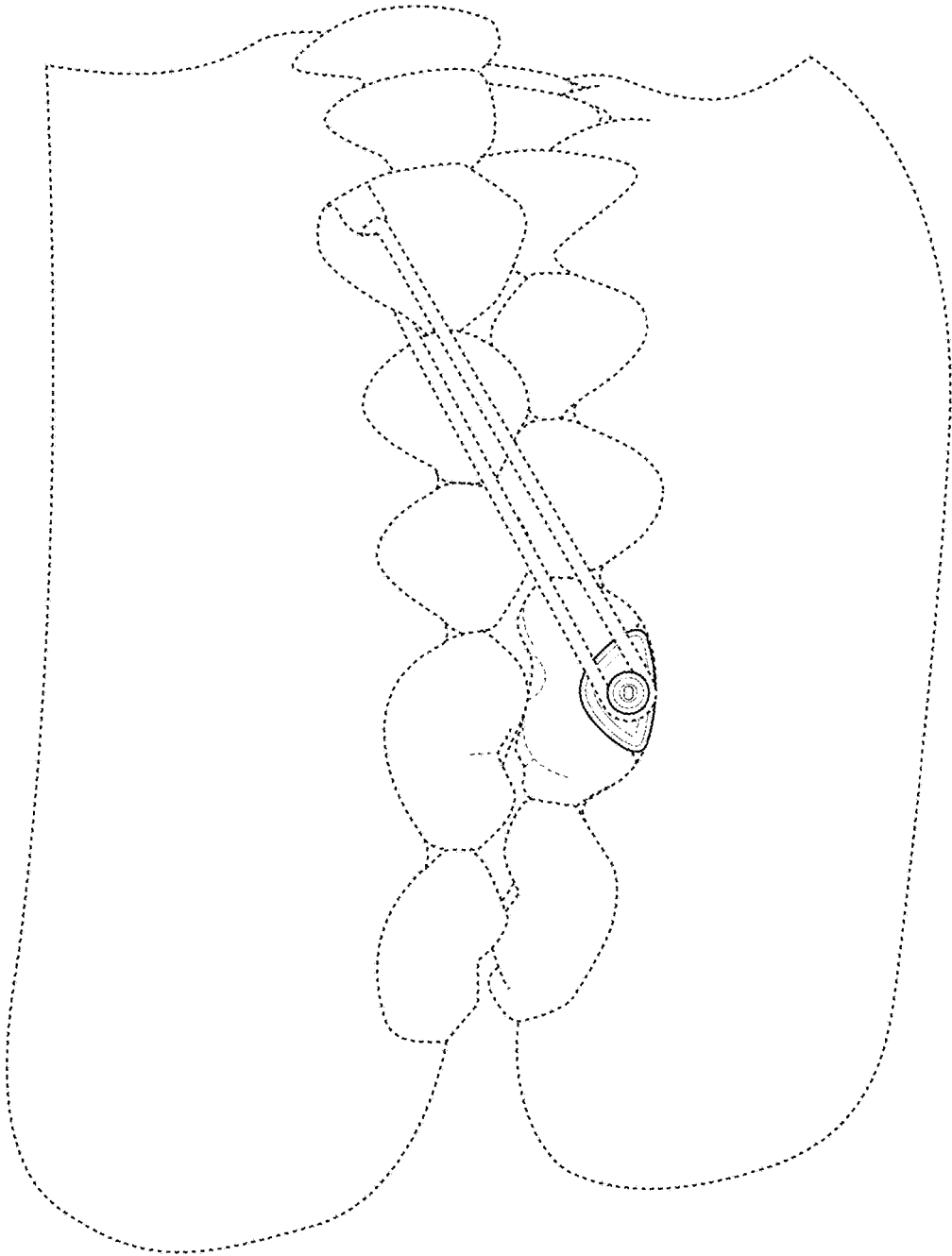


FIG. 8



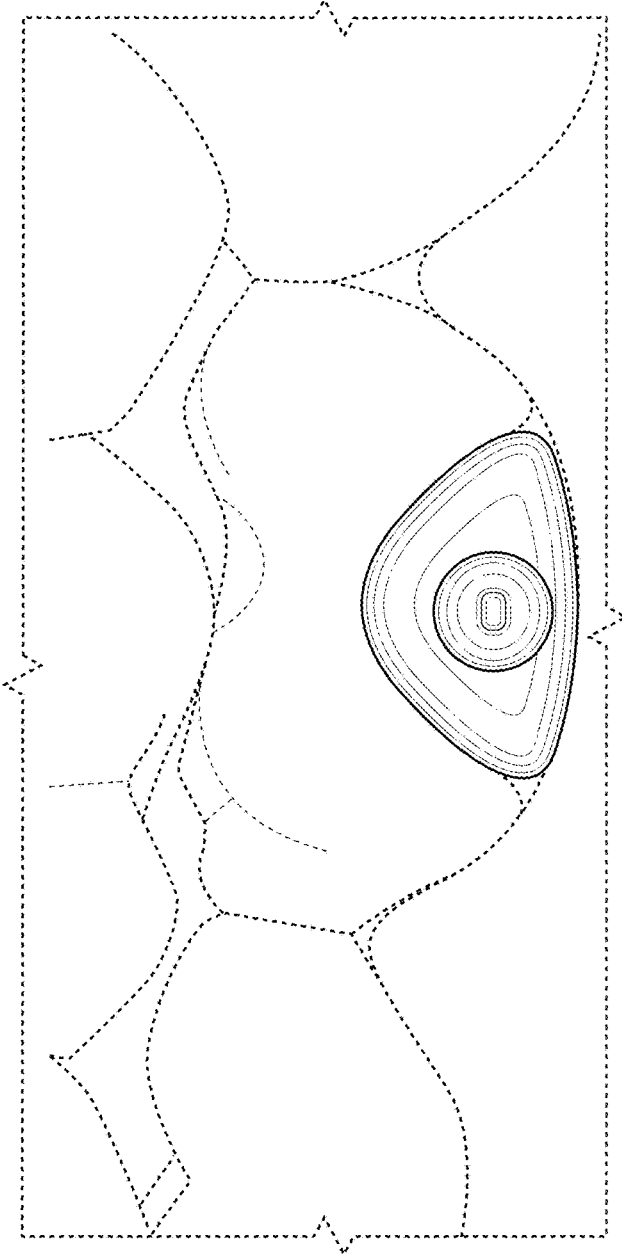


FIG. 9