



(12) **United States Design Patent**  
**Dörre et al.**

(10) **Patent No.:** **US D762,652 S**  
(45) **Date of Patent:** **\*\* Aug. 2, 2016**

(54) **MOUNTING SYSTEM FOR MONITORS**

G02B 5/30; G02B 2027/0118; G02B 27/0101;  
F16M 13/02; F16M 13/00; F16M 11/10;  
F16M 11/04; F16M 2200/08; F16M 11/2021;  
A47B 21/0314; A47B 88/044; A47B  
2021/0335; H02G 3/126; F16B 47/00; F16B  
47/006; A47G 1/17; A47K 2201/00  
See application file for complete search history.

(71) Applicant: **SIEMENS**  
**AKTIENGESELLSCHAFT, München**  
(DE)

(72) Inventors: **Helmut Dörre, Nürnberg (DE); Erich**  
**Moschel, Fürth (DE)**

(73) Assignee: **SIEMENS**  
**AKTIENGESELLSCHAFT, München**  
(DE)

(\*\*) Term: **14 Years**

(21) Appl. No.: **29/481,934**

(22) Filed: **Feb. 12, 2014**

(30) **Foreign Application Priority Data**

Aug. 15, 2013 (EM) ..... 001380463

(51) **LOC (10) Cl.** ..... **08-07**

(52) **U.S. Cl.**  
USPC ..... **D14/452**

(58) **Field of Classification Search**  
USPC ..... D14/371–382, 125–129, 336, 337,  
D14/447–452, 492, 335, 239, 457, 439–441,  
D14/432, 251–253; D8/349, 354, 363, 373,  
D8/376, 380; D21/333; D12/415; D3/218;  
348/180, 184, 325, 739, 825; 248/323,  
248/278.1, 286.1

CPC ..... G06F 3/0412; G06F 3/016; G06F 3/0488;  
G06F 3/011; G06F 3/038; G06F 3/03543;  
G06F 3/0338; G06F 3/0202; G06F 3/0219;  
G06F 3/0213; G06F 1/1616; G06F 3/023;  
G06F 3/04883; G02F 1/13338; G02F 1/1313;  
G02F 1/1333; G02F 1/135; G02F 1/132;  
G02F 1/13308; G02F 1/134309; G02F  
1/13718; G09G 3/3648; G06K 15/1252;  
B41J 2/465; G03F 7/70291; G02B 27/0172;

(56) **References Cited**

U.S. PATENT DOCUMENTS

D435,852 S \* 1/2001 Oddsen, Jr. .... D14/452  
6,554,238 B1 \* 4/2003 Hibberd ..... 248/278.1  
D488,163 S \* 4/2004 Hunt ..... D14/452  
D496,367 S \* 9/2004 Pfister ..... D14/451  
6,899,308 B2 \* 5/2005 Chow et al. .... 248/282.1  
D507,477 S \* 7/2005 Pfister ..... D8/363  
7,028,961 B1 \* 4/2006 Dittmer et al. .... 248/278.1  
D520,017 S \* 5/2006 van Kuijk et al. .... D14/452

(Continued)

*Primary Examiner* — Garth Rademaker

*Assistant Examiner* — Katie S Mroczka

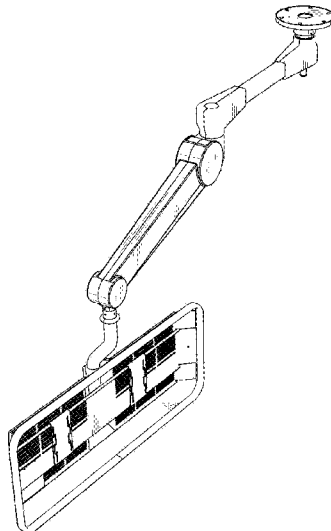
(57) **CLAIM**

We claim the ornamental design for a mounting system for monitors, as shown and described.

**DESCRIPTION**

FIG. 1 is a front view of a mounting system for monitors  
FIG. 2 is a rear view of a mounting system for monitors  
FIG. 3 is a top view of a mounting system for monitors  
FIG. 4 is a bottom view of a mounting system for monitors  
FIG. 5 is a view from the right side of a mounting system for monitors  
FIG. 6 is a view from the left side of a mounting system for monitors; and,  
FIG. 7 is a perspective view of a mounting system for monitors.

**1 Claim, 7 Drawing Sheets**



(56)

References Cited

U.S. PATENT DOCUMENTS

D521,990 S *	5/2006	Richter	.....	D14/253	D652,030 S *	1/2012	Dolack	.....	D14/239
7,207,537 B2 *	4/2007	Hung	.....	248/284.1	8,104,728 B2 *	1/2012	Chen	.....	248/286.1
D549,709 S *	8/2007	Richter	.....	D14/447	D660,843 S *	5/2012	Kaluza	.....	D14/452
D556,205 S *	11/2007	Wohlford et al.	.....	D14/452	D662,104 S *	6/2012	Brandt	.....	D14/452
D559,662 S *	1/2008	Sculler et al.	.....	D8/380	8,254,092 B2 *	8/2012	Russell et al.	.....	361/679.01
7,338,022 B2 *	3/2008	Hung	.....	248/278.1	D679,282 S *	4/2013	Liu et al.	.....	D14/452
D570,853 S *	6/2008	Derry et al.	.....	D14/452	8,469,323 B1 *	6/2013	Deros et al.	.....	248/278.1
D584,734 S *	1/2009	Chu	.....	D14/452	8,717,506 B2 *	5/2014	Austin et al.	.....	348/836
D602,025 S *	10/2009	Richter	.....	D14/447	D709,074 S *	7/2014	Tsui et al.	.....	D14/447
D619,586 S *	7/2010	Richter	.....	D14/447	8,827,226 B2 *	9/2014	Townsend et al.	.....	248/323
D619,587 S *	7/2010	Richter	.....	D14/447	8,931,748 B2 *	1/2015	Bowman et al.	.....	248/280.11
D630,623 S *	1/2011	Molter et al.	.....	D14/239	2006/0022102 A1 *	2/2006	Dittmer	.....	248/276.1
D636,765 S *	4/2011	Molter et al.	.....	D14/239	2006/0273231 A1 *	12/2006	Huang	.....	248/371
D651,199 S *	12/2011	Huang	.....	D14/239	2008/0029661 A1 *	2/2008	Chen	.....	248/176.1
					2008/0067317 A1 *	3/2008	Altonji et al.	.....	248/604
					2013/0161465 A1 *	6/2013	Huang	.....	248/278.1

\* cited by examiner

FIG 1

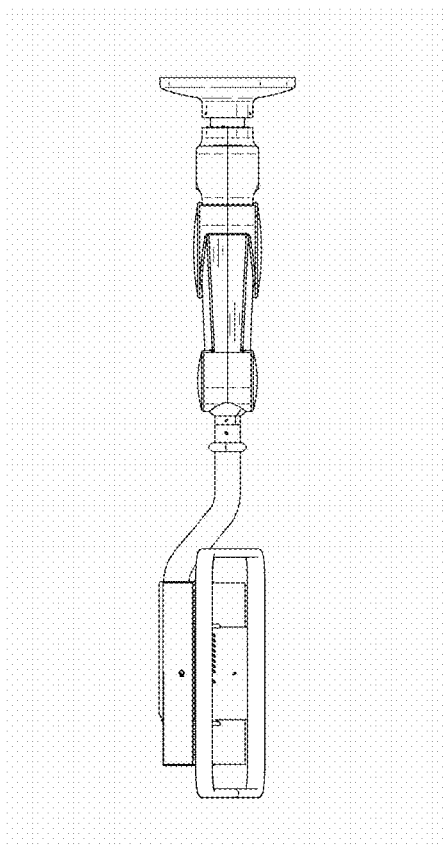


FIG 2

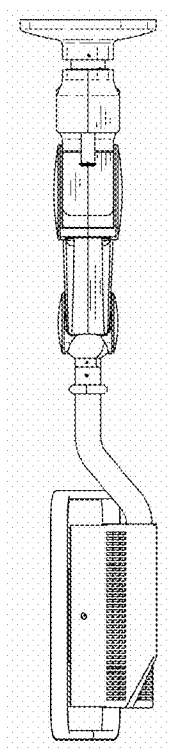


FIG 3

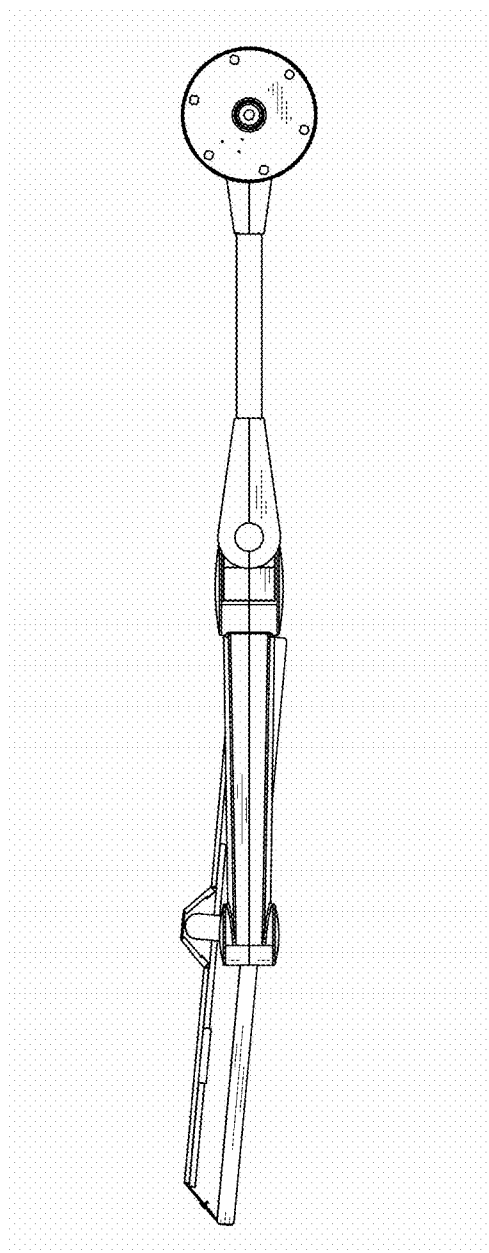


FIG 4

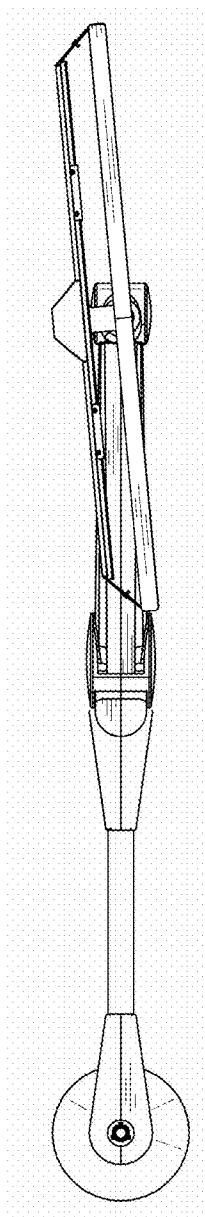


FIG 5

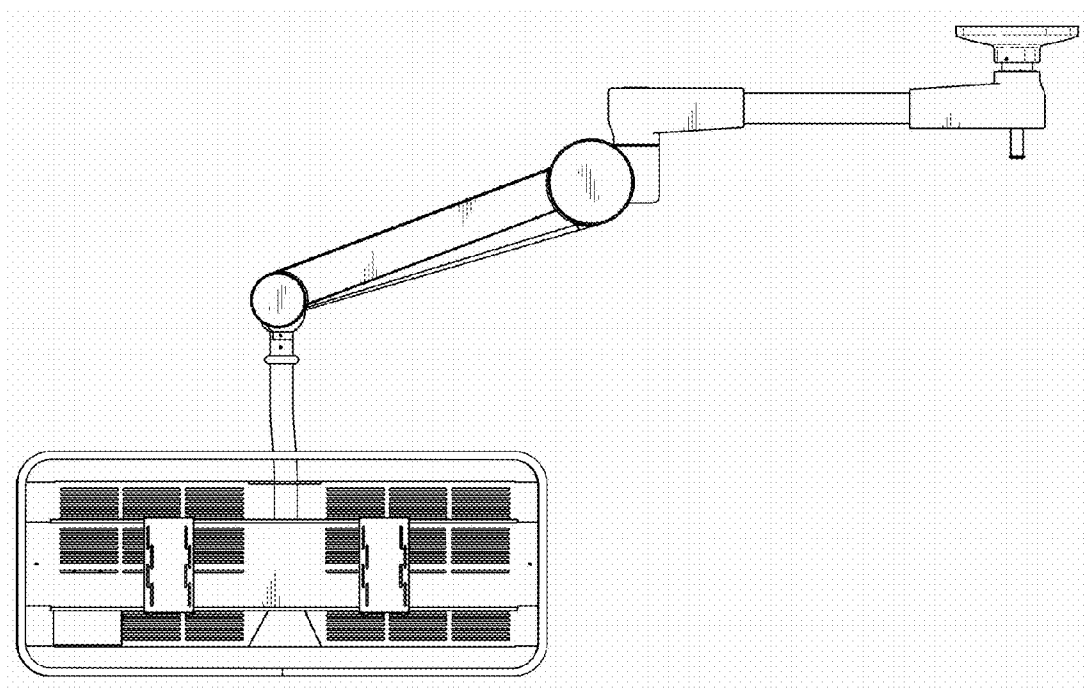


FIG 6

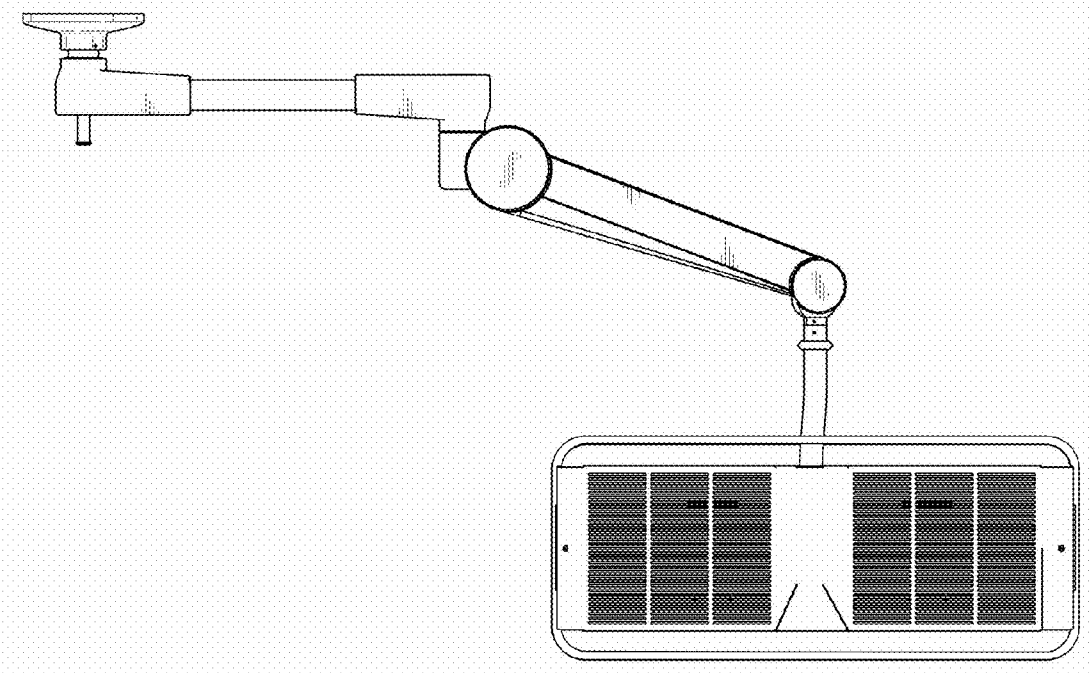




FIG 7

