



US00D584428S

(12) **United States Design Patent**  
**Li et al.**

(10) **Patent No.:** **US D584,428 S**

(45) **Date of Patent:** **\*\* Jan. 6, 2009**

(54) **LED LAMP**

(75) Inventors: **Tai-Ling Li**, Taoyuan County (TW);  
**Chi-Hao Liang**, Tu Chen (TW);  
**Hsin-Chang Tsai**, Taipei (TW);  
**Mong-Ting Tsai**, Chiayi County (TW)

(73) Assignee: **Everlight Electronics Co., Ltd.**, Tu  
Chen, Taipei Hsien (TW)

(\*\*) Term: **14 Years**

(21) Appl. No.: **29/319,162**

(22) Filed: **Jun. 5, 2008**

(30) **Foreign Application Priority Data**

Mar. 3, 2008 (TW) ..... 97301212

(51) **LOC (9) Cl.** ..... **26-04**

(52) **U.S. Cl.** ..... **D26/2**

(58) **Field of Classification Search** ..... D26/1-4;  
313/313, 315, 317, 318, 493; 315/52, 53,  
315/56, 57, 58

See application file for complete search history.

(56) **References Cited**

**U.S. PATENT DOCUMENTS**

D302,863 S \* 8/1989 Krol ..... D26/26

D325,994 S \* 5/1992 Hume et al. .... D26/2  
D336,963 S \* 6/1993 Levin et al. .... D26/2  
D433,166 S \* 10/2000 Noll ..... D26/2  
D497,439 S \* 10/2004 Shaw et al. .... D26/2  
D516,229 S \* 2/2006 Tang ..... D26/2  
D538,951 S \* 3/2007 Maxik et al. .... D26/2

\* cited by examiner

*Primary Examiner*—Marcus A. Jackson

(74) *Attorney, Agent, or Firm*—Pai Patent & Trademark Law  
Firm; Chao-Chang David Pai

(57) **CLAIM**

The ornamental design for a LED lamp, as shown.

**DESCRIPTION**

FIG. 1 is a perspective view of a LED lamp showing our new  
design;

FIG. 2 is a front view thereof;

FIG. 3 is a rear view thereof;

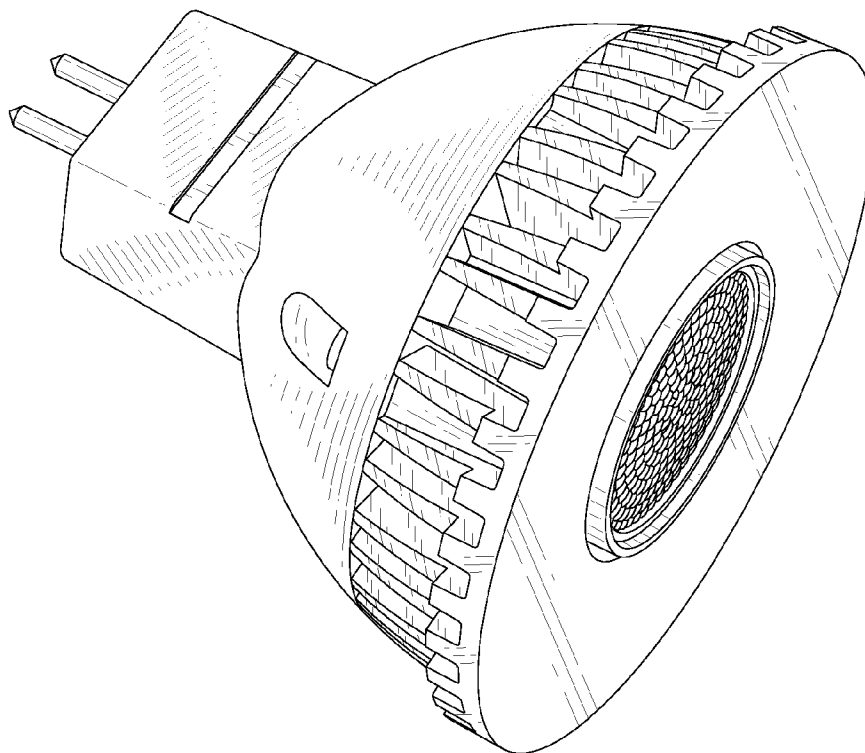
FIG. 4 is a right side view thereof;

FIG. 5 is a left side view thereof;

FIG. 6 is a top view thereof; and,

FIG. 7 is a bottom view thereof.

**1 Claim, 4 Drawing Sheets**



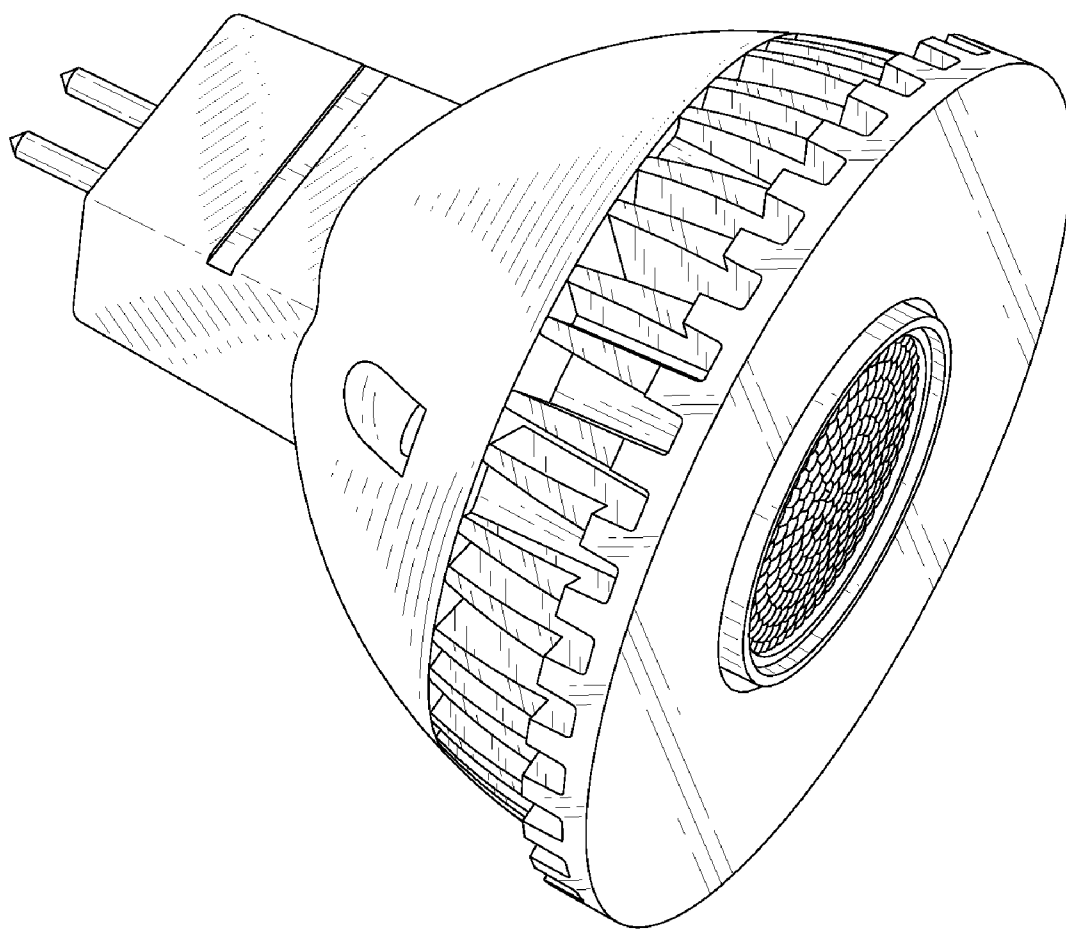


Fig. 1

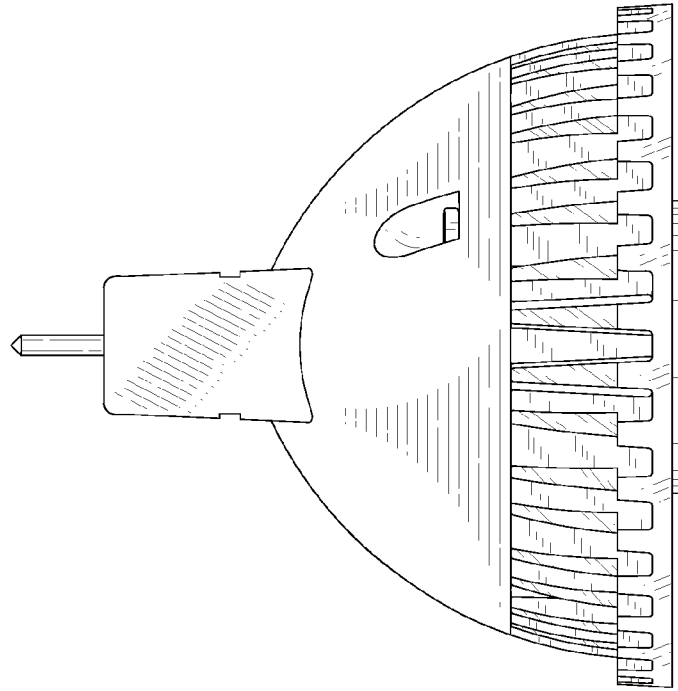


Fig. 2

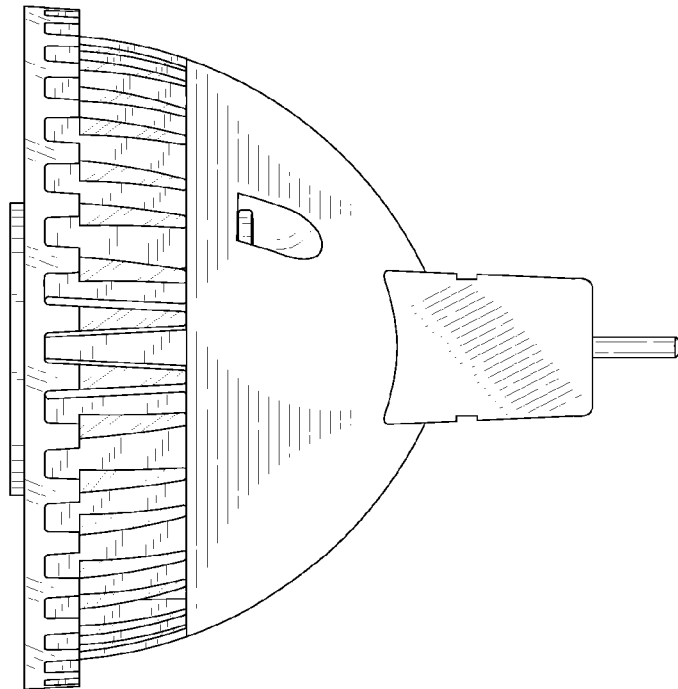


Fig. 3

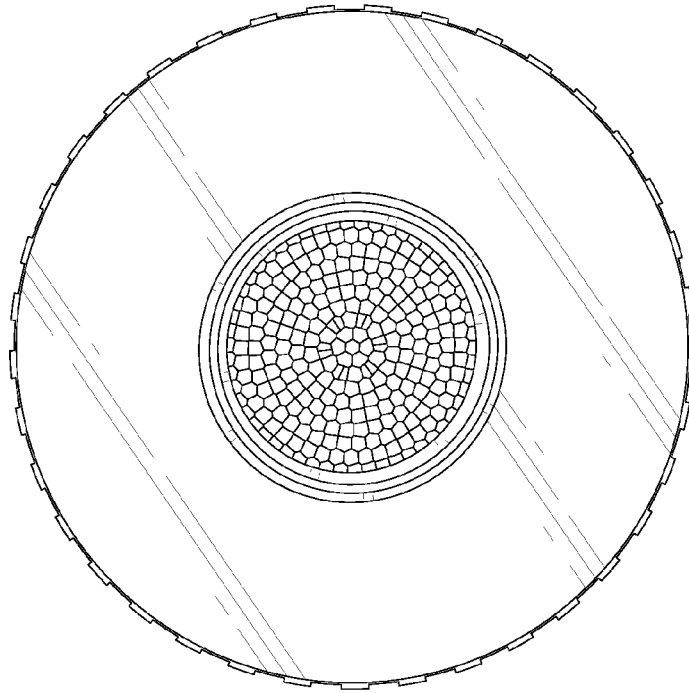


Fig. 4

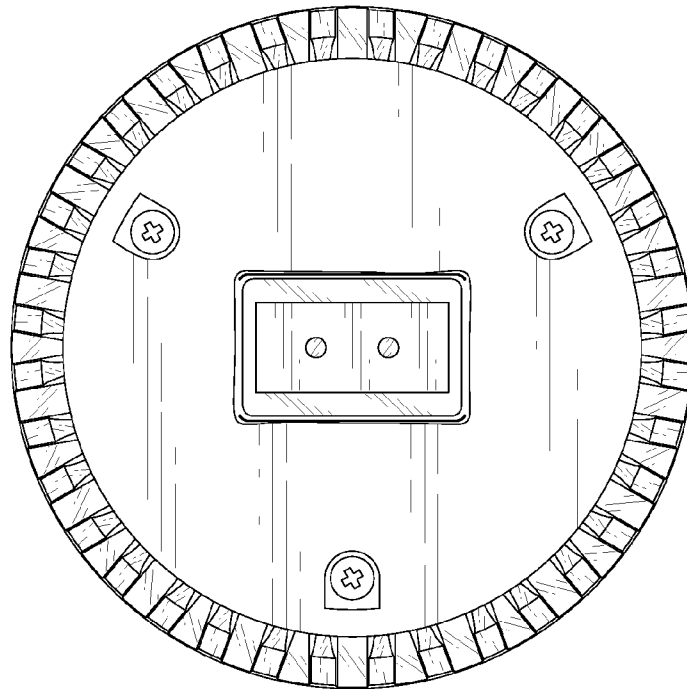


Fig. 5

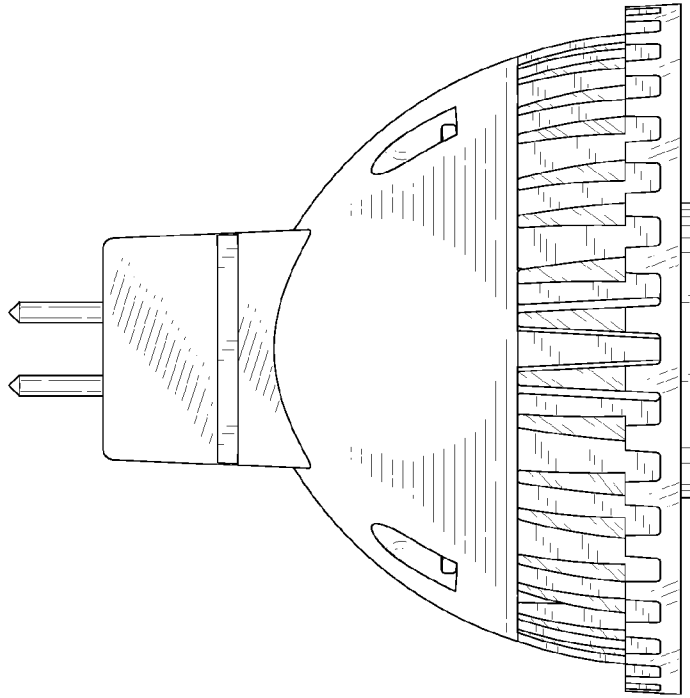


Fig. 6

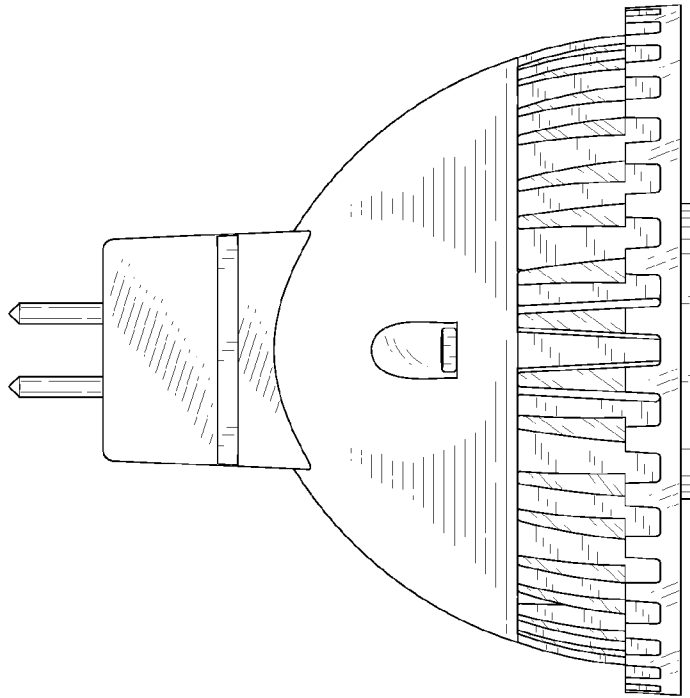


Fig. 7