



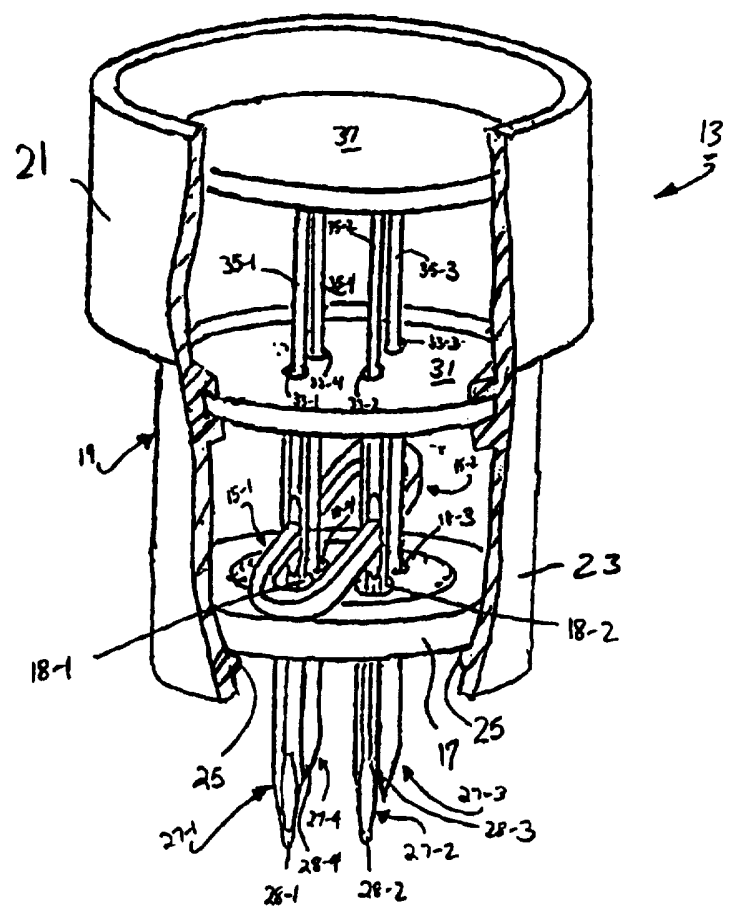
INTERNATIONAL APPLICATION PUBLISHED UNDER THE PATENT COOPERATION TREATY (PCT)

<p>(51) International Patent Classification<sup>6</sup>: <b>A47H 37/10</b></p>	<p><b>A1</b></p>	<p>(11) International Publication Number: <b>WO 96/10940</b> (43) International Publication Date: 18 April 1996 (18.04.96)</p>
<p>(21) International Application Number: PCT/US95/13835 (22) International Filing Date: 11 October 1995 (11.10.95) (30) Priority Data: 08/321,535 11 October 1994 (11.10.94) US (71) Applicant (for all designated States except US): AVERY DENNISON CORPORATION [US/US]; 150 North Orange Grove Boulevard, Pasadena, CA 91103 (US). (72) Inventors; and (75) Inventors/Applicants (for US only): DAVIGNON, Paul, A. [US/US]; 77 Fisher Street, Uxbridge, MA 01569 (US). DESCHENES, Charles, L. [US/US]; 22 Norton Road, North Attleboro, MA 02760 (US). (74) Agents: KRIEGSMAN, Irving, M. et al.; Kriegsman &amp; Kriegsman, 883 Edgell Road, Framingham, MA 01701 (US).</p>	<p>(81) Designated States: AM, AT, AU, BB, BG, BR, BY, CA, CH, CN, CZ, DE, DK, EE, ES, FI, GB, GE, HU, IS, JP, KE, KG, KP, KR, KZ, LK, LR, LT, LU, LV, MD, MG, MN, MW, MX, NO, NZ, PL, PT, RO, RU, SD, SE, SG, SI, SK, TJ, TM, TT, UA, UG, US, UZ, VN, European patent (AT, BE, CH, DE, DK, ES, FR, GB, GR, IE, IT, LU, MC, NL, PT, SE), OAPI patent (BF, BJ, CF, CG, CI, CM, GA, GN, ML, MR, NE, SN, TD, TG), ARIPO patent (KE, MW, SD, SZ, UG).</p> <p><b>Published</b> With international search report. Before the expiration of the time limit for amending claims and to be republished in the event of the recommendations.</p>	

(54) Title: SELF-CONTAINED BUTTON ATTACHMENT ASSEMBLY

(57) Abstract

A self-contained button attachment assembly comprising a fastener dispensing tool (11) which includes a hollow, open-ended, unitary housing (19) generally cylindrical in shape. Four hollow, slotted needles (27-1 through 27-4) are fixedly mounted in the housing. Four ejector rods (35-1 through 35-4) are slidably mounted within the four needles, the four ejector rods being fixedly mounted at their respective top ends on a pusher plate (37) that is slidably mounted within the housing and is accessible through the open top end thereof. The assembly also comprises a conventional garment button (17) of the type having four transverse openings. The button is positioned and releasably retained within the housing by a circumferential lip (25). The assembly further comprises a pair of fasteners (15-1, 15-2), each fastener comprising a U-shaped flexible filament (43) and a pair of transverse feet (45-1, 45-2) which are disposed at opposite ends of the filament and extend perpendicularly to the plane of the filament.



**FOR THE PURPOSES OF INFORMATION ONLY**

Codes used to identify States party to the PCT on the front pages of pamphlets publishing international applications under the PCT.

AT	Austria	GB	United Kingdom	MR	Mauritania
AU	Australia	GE	Georgia	MW	Malawi
BB	Barbados	GN	Guinea	NE	Niger
BE	Belgium	GR	Greece	NL	Netherlands
BF	Burkina Faso	HU	Hungary	NO	Norway
BG	Bulgaria	IE	Ireland	NZ	New Zealand
BJ	Benin	IT	Italy	PL	Poland
BR	Brazil	JP	Japan	PT	Portugal
BY	Belarus	KE	Kenya	RO	Romania
CA	Canada	KG	Kyrgystan	RU	Russian Federation
CF	Central African Republic	KP	Democratic People's Republic of Korea	SD	Sudan
CG	Congo	KR	Republic of Korea	SE	Sweden
CH	Switzerland	KZ	Kazakhstan	SI	Slovenia
CI	Côte d'Ivoire	LI	Liechtenstein	SK	Slovakia
CM	Cameroon	LK	Sri Lanka	SN	Senegal
CN	China	LU	Luxembourg	TD	Chad
CS	Czechoslovakia	LV	Latvia	TG	Togo
CZ	Czech Republic	MC	Monaco	TJ	Tajikistan
DE	Germany	MD	Republic of Moldova	TT	Trinidad and Tobago
DK	Denmark	MG	Madagascar	UA	Ukraine
ES	Spain	ML	Mali	US	United States of America
FI	Finland	MN	Mongolia	UZ	Uzbekistan
FR	France			VN	Viet Nam
GA	Gabon				

**SELF-CONTAINED BUTTON ATTACHMENT ASSEMBLY****BACKGROUND OF THE INVENTION**

The present invention relates generally to the attachment of buttons to garments and like materials using fasteners.

5           The conventional method of attaching buttons to garments or fabrics, either by machine or by hand, is with thread. The button is held in place and a needle equipped with thread is inserted through each of two, three or more holes in the button and into the material several times until sufficient strands of thread exist to securely hold the button to the material. The thread must then be tied or otherwise  
10 fastened so that it will not unravel. In some instances, where it is desired to elevate the button from the material, a pedestal effect is achieved by laterally wrapping the strands with additional thread. The disadvantages of securing buttons to fabric or garments by this method are several. First of all, it is a slow and tedious job and the button can soon become detached if only one of the threads  
15 is severed or if the ends of the thread are not secured properly.

In the commonly assigned U.S. Pat. Nos. 3,399,432, 3,470,834, and 3,494,004, all of which are incorporated herein by reference, there is described a plastic fastener which may be used instead of thread to attach a button to an article of clothing. The fastener typically comprises a flexible filament having a head at  
20 one end and a transverse bar at the opposite end. A plurality of such fasteners are typically manufactured as part of a clip in which the fasteners are interconnected in a row to a stringer or runner bar connected to the transverse bars of the fasteners by corresponding necks or connector posts. To sever an individual fastener from the fastener clip and to attach the severed fastener to a desired  
25 article (e.g., through a button hole and into an article of clothing), a fastener dispensing device is typically used. Such a device typically comprises a casing, a needle projecting from the casing, the needle and the casing having longitudinal bores in alignment with each other, a plunger slidable back and forth within said bores, a handle telescoping over the rear of the casing for sliding said plunger  
30 within said bores, and means for feeding fasteners into the device successively with the transverse bars in alignment with said bores ahead of the plunger so that

they may be projected through the needle by reciprocating the plunger. Typically, the rear end of the needle is shaped to define a knife edge so that insertion of the transverse bar into the longitudinal bore of the needle using the plunger causes the knife edge of the needle to sever the connector post connecting the fastener to the remainder of the fastener clip.

5 While the above-described fasteners have been found to be generally satisfactory for attaching buttons to certain articles of clothing, they have not found universal application for the following reasons: First, when placed in direct contact with a person's skin, the transverse bar of the fastener has a tendency to be irritating. This is in part because the above-described severing of the connector post often leaves a burr on the bottom of the transverse bar and is in part because of the somewhat sharp ends and large size of the transverse bar. Second, the fasteners are often too big to be used with many buttons and, therefore, require the use of specially designed buttons having large holes. Third, the fasteners tend to be conspicuous in appearance due to the fact that a separate fastener is used for every button hole, as opposed to being looped between two or more button holes in the same way that thread typically is.

10 In commonly-assigned PCT Application No. PCT/US93/12112, which was published June 23, 1994, and which is incorporated herein by reference, there is disclosed a fastener dispensing tool and fastener clip for use therewith. The fastener clip includes a plurality of fasteners which may be used, for example, in attaching a button to a garment or a piece of fabric, each fastener comprising a filament having a foot at one end. The fastener clip also comprises at least one runner bar, each fastener being connected to the runner bar by a severable connector post. The fastener dispensing tool includes a pair of needles. Each needle has a knife edge formed on its side which is adapted to sever a connector post from its associated runner bar. The tool also includes an ejector mechanism which is slidably mounted back and forth within the body of the tool and is rearwardly biased by a spring. The ejector mechanism is manually operable from the rear of the body of the fastener dispensing tool and includes a pair of ejector rods which are slidable back and forth within the bores of the needles.

To attach a button to a garment or like material using a fastener dispensing tool of the type described above, a user typically follows the following sequence of steps: (1) the user manually feeds a fastener clip into the fastener dispensing tool until a desired fastener is in position to be dispensed by the fastener dispensing tool; (2) the user inserts the needle(s) of the fastener dispensing tool first through a loose button and then through the desired garment; and (3) the user dispenses an individual fastener from the fastener clip through the button and the garment using the fastener dispensing tool. The fastener clip may then be advanced within the fastener dispensing tool so that additional fasteners may be dispensed therefrom into the same or different buttons. As can readily be appreciated, the above-described sequence of steps, particularly the loading of the fastener clip into the fastener dispensing tool and the insertion of the needles of the fastener dispensing tool through both the button to be attached and the garment or like material, may be difficult for some users in certain situations.

Other patents of interest include U.S. Patent No. 4,361,101, inventors Marsh et al., which issued November 30, 1982; U.S. Patent No. 4,316,562, inventors Davidson et al., which issued February 23, 1982; U.S. Patent No. 4,296,698, inventors Davidson et al., which issued October 27, 1981; U.S. Patent No. 4,281,782, inventors Marsh et al., which issued August 4, 1981; U.S. Patent No. 3,900,925, inventor La Torraca, which issued August 26, 1975; and U.S. Patent No. 2,935,434, inventor Dawson, which issued May 3, 1960.

### SUMMARY OF THE INVENTION

It is an object of the present invention to overcome at least some of the problems associated with the above-described techniques for attaching buttons to garments and like materials.

5 In furtherance of these and other objects to be described or to become apparent below, a self-contained button attachment assembly constructed in accordance with the teachings of the present invention comprises in a first preferred embodiment a fastener dispensing tool. The fastener dispensing tool includes a hollow, open-ended, unitary housing having a top portion and a bottom  
10 portion. The top portion and the bottom portion are generally cylindrical in shape, the top portion having a substantially greater cross-sectional diameter than the bottom portion. Four hollow, slotted needles are fixedly mounted in the bottom portion of said housing and extend out through the bottom of said housing. Four ejector rods are slidably mounted within said four hollow slotted needles, the four  
15 ejector rods being fixedly mounted at their respective top ends on a plate that is slidably mounted within the top portion of the housing and is accessible through the open top end thereof.

The assembly also comprises a conventional garment button of the type having four transverse openings. The button is positioned within the bottom portion  
20 of the housing so that the four needles extend partially through its four transverse openings, the button being releasably retained within the housing by a circumferential lip integrally formed on the inside thereof.

The assembly further comprises a pair of fasteners, each fastener comprising a U-shaped flexible filament and a pair of transverse feet, the  
25 transverse feet being disposed at opposite ends of the U-shaped flexible filament and extending perpendicularly to the plane of the filament. Each transverse foot is loaded into one of the hollow slotted needles and is positioned over the button so that, upon insertion of the needles into a desired garment and upon actuation of the tool, the transverse feet are pushed by the ejector rods through the openings  
30 in the button, through the garment, and out the needles, thereby securing the button to the garment.

In a second preferred embodiment, the self-contained button attachment assembly is generally the same as that of the first preferred embodiment, except that the fastener dispensing tool of the second preferred embodiment comprises a different type of housing than that of the first preferred embodiment, the housing of the second preferred embodiment comprising a top portion and a bottom portion which are interconnected in a telescoping fashion so that the top portion is slidably movable relative to the bottom portion. In addition, the top end of the top portion of the housing is closed, and the ejector rods are fixedly mounted directly on said closed top end so that movement of the top portion towards the bottom portion causes the ejector rods to be moved down through the needles.

According to a third preferred embodiment, the self-contained button attachment assembly comprises a fastener dispensing tool which comprises a hollow, cylindrical, open-ended, unitary housing. A circumferential lip is integrally formed on the inside of the housing near the open bottom end thereof to releasably secure within the housing a conventional garment button of the type having four transverse openings. Four needles are fixedly mounted on a pusher plate slidably mounted within the housing and accessible from the open top end thereof. The needles extend downwardly through the four transverse openings of the button, each of said needles being a solid elongated member terminating in a tip adapted to penetrate a desired article of commerce and having a chamber adapted to receive a transverse foot of a fastener, the chamber being located over the button. The chamber is shaped in such a way as to prevent the transverse foot from being pulled therefrom when low tension is applied to the flexible filament (i.e., prior to the complete insertion of the transverse foot through a garment or like material), but yet, so as to cause the transverse bar to be pulled out of the chamber when high tension is applied to the flexible filament (i.e., following the complete insertion of the transverse bar through the garment or like material). The assembly further includes a pair of U-shaped fasteners of the type described above, one transverse foot of each fastener being loaded into the chamber of a different needle.

As can readily be appreciated, one particularly advantageous aspect of the above-described self-contained button attachment assembly is that it can easily be

operated by a user since it does not require the user to load a fastener into the tool and/or to align a button with the tool.

Also, after the dispensing of the button and fasteners from the fastener dispensing tool, the fastener dispensing tool may be disposed of.

5           The present invention is also directed to the above-described fastener dispensing tool.

Additional objects, as well as features and advantages of the present invention, will be set forth in part in the description which follows, and in part will be obvious from the description or may be learned by practice of the invention.

10          These embodiments will be described in sufficient detail to enable those skilled in the art to practice the invention, and it is to be understood that other embodiments may be utilized and that changes may be made without departing from the scope of the invention. The following detailed description is, therefore, not to be taken in a limiting sense, and the scope of the present invention is best defined by the

15          appended claims.



### **BRIEF DESCRIPTION OF THE DRAWINGS**

The accompanying drawings, which are hereby incorporated into and constitute a part of this specification, illustrate various embodiments of the invention and, together with the description, serve to explain the principles of the invention.

5 In the drawings wherein like reference numerals represent like parts:

Fig. 1 is a front perspective view, broken away in part, of a first embodiment of a self-contained button attachment assembly constructed according to the teachings of the present invention;

10 Fig. 2 is a rear view of the self-contained button attachment assembly of Fig. 1;

Fig. 3 is a section view of the self-contained button attachment assembly of Fig. 1;

Fig. 4 is an enlarged front perspective view of one of the fasteners shown in Fig. 1;

15 Fig. 5 is a front view of the fastener shown in Fig. 1, the rear view being a mirror image thereof;

Fig. 6 is a top view of the fastener shown in Fig. 1;

Fig. 7 is a bottom view of the fastener shown in Fig. 1;

20 Fig. 8 is a right side view of the fastener shown in Fig. 1, the left side being a mirror image thereof;

Fig. 9 is a section view of a second embodiment of a self-contained button attachment assembly constructed according to the teachings of the present invention;

25 Fig. 10 is a front perspective view, broken away in part, of a third embodiment of a self-contained button attachment assembly constructed according to the teachings of the present invention;

Fig. 11 is a section view, taken from the rear, of the self-contained button attachment assembly of Fig. 10;

30 Fig. 12 is a fragmentary top view of one of the needles shown in Fig. 10;  
and

Fig. 13 is a fragmentary section view of the needle taken along line 1-1 in Fig. 12, the needle being shown loaded, in phantom, with a transverse foot of a plastic fastener.

### DETAILED DESCRIPTION OF PREFERRED EMBODIMENTS

Referring now to Figs. 1 through 3, there are shown various views of a first embodiment of a self-contained button attachment assembly constructed according to the teachings of the present invention, the self-contained button attachment assembly being represented generally by reference numeral 11.

Assembly 11 comprises a fastener dispensing tool 13, a pair of identical fasteners 15-1 and 15-2 and a conventional garment button 17.

Fastener dispensing tool 13 comprises a unitary housing 19. Housing 19, which is preferably made from a durable, lightweight, molded plastic or similar material, is shaped to define an elongated, hollow, open-ended member having a top portion 21 and a bottom portion 23. Top portion 21 and bottom portion 23 are cylindrical in shape and are arranged coaxially, with top portion 21 having a substantially greater cross-sectional diameter than bottom portion 23 for reasons to become apparent below. A circumferential lip 25 is integrally formed on the interior surface of bottom portion 23 for use in releasably securing button 17 within housing 19.

Fastener dispensing tool 13 also comprises a plurality of identical needles 27-1 through 27-4. Needles 27-1 through 27-4 may consist of the shank or stem portions of conventional hollow slotted needles of the type shown and described, for example, in U.S. Patent No. 5,305,939, which is incorporated herein by reference. Needles 27-1 through 27-4 are aligned with and are partially inserted through the openings 18-1 through 18-4, respectively, of button 17. The bottom ends of needles 27-1 through 27-4 are shaped to define tips 28-1 through 28-4, respectively, adapted for insertion through a desired garment or like material. The top ends of needles 27-1 through 27-4 are fixedly mounted on a needle carrier 31. Needle carrier 31, in turn, is fixedly mounted within housing 19 between a pair of integrally formed, circumferentially extending lips 32-1 and 32-2. (Provided that needle carrier 31 is made from a suitable material, needle carrier 31 may additionally or alternatively be secured to housing 19 by heat-sealing.) A plurality of small transverse holes 33-1 through 33-4 are formed in carrier 31, holes 33-1

through 33-4 being coaxially aligned with the longitudinal bores of needles 27-1 through 27-4, respectively.

Fastener dispensing tool 13 additionally includes a plurality of ejector rods 35-1 through 35-4. Ejector rods 35-1 through 35-4, which, as will be seen below, are used to eject fasteners 15-1 and 15-2 from needles 27-1 through 27-4, are inserted through holes 33-1 through 33-4, respectively, of carrier 31 and into the longitudinal bores of needles 27-1 through 27-4, respectively. The top ends of ejector rods 35-1 through 35-4 are fixedly mounted on a pusher plate 37 so that ejector rods 35-1 through 25-4 may be moved downwardly through needles 27-1 through 27-4 by having a user press down on pusher plate 37 with the user's thumb or finger. In order to prevent undesired upwards or downwards movement of ejector rods 35-1 through 35-4 relative to needles 27-1 through 27-4, the relative diameters of ejector rods 35-1 through 35-4 and holes 33-1 through 33-4 may be chosen to precipitate an appropriate frictional engagement therebetween. Alternatively or additionally, the relative diameters of pusher plate 37 and top portion 21 may be suitably chosen for an appropriate frictional response.

Referring now to Figs. 4 through 8, fastener 15-1 is shown in greater detail (fastener 15-2 being identical to fastener 15-1). Fastener 15-1 includes a flexible U-shaped filament 43 and a pair of transverse bars or feet 45-1 and 45-2 disposed at opposite ends thereof. In order to maximize the strength of fastener 15-1, U-shaped flexible filament 43 is generally rectangular in cross-section, filament 43 having a width  $w$  that is substantially uniform over its length and having a non-uniform thickness, i.e., arcuate region 46 has a thickness  $t_1$  greater than the thickness  $t_2$  near feet 45-1 and 45-2.

Feet 45-1 and 45-2, which extend parallel to one another and perpendicularly to the plane of filament 43, are appropriately dimensioned so that they may be inserted into a desired garment through a pair of button holes of conventional size and thereafter be retained by the underside of the garment. In order that fastener 15-1 may be used with garments in which feet 45-1 and 45-2 are placed in direct contact with a person's skin, feet 45-1 and 45-2 include the following features which are designed to minimize contact with and irritation of a

person's skin. First, feet 45-1 and 45-2 have a length *l* which is comparatively small, i.e., approximately 2 mm as compared to 6 mm for the transverse bars of existing like fasteners, and an overall size which is comparable to that of a knot of thread. Consequently, feet 45-1 and 45-2 have relatively little surface area which may come into contact with a person's skin. Second, the top surfaces 49-1 and 49-2 of feet 45-1 and 45-2, respectively, are generally flat. This gives feet 45-1 and 45-2 a low profile and inhibits the rotational movement of feet 45-1 and 45-2 relative to the underside of a garment to which fastener 15-1 has been attached. Third, feet 45-1 and 45-2 have rounded ends 51-1/51-2 and 53-1/53-2, respectively, as compared to the straight, square ends of conventional transverse bars. Fourth, the bottom surfaces 55-1 and 55-2, respectively, of feet 45-1 and 45-2 are contoured for minimal irritation of a person's skin by extending downwardly furthest and having the greatest cross-sectional diameter at their respective midpoints 57-1 and 57-2 and by sloping upwardly and diminishing in cross-sectional diameter on opposite sides of midpoints 57-1 and 57-2.

Referring back to Figs. 1 through 3, feet 45-1 and 45-2 of fastener 15-1 can be seen to be loaded into needles 27-1 and 27-2, respectively, and are positioned above button 17. Similarly, feet 45-1 and 45-2 of fastener 15-2 are loaded into needles 27-3 and 27-4, respectively, and are also positioned above button 17.

To operate self-contained button attachment assembly 11, the user merely inserts needles 27-1 through 27-4 through a desired garment or like material and fully depresses pusher plate 37. By so doing, ejector rods 35-1 through 35-4 are forced downwardly through needles 27-1 through 27-4, respectively, causing the respective feet 45-1 and 45-2 of fasteners 15-1 and 15-2 to be pushed first through openings 18-1 through 18-4 of button 17 and then through the desired garment or like material. With fasteners 15-1 and 15-2 thus secured to the desired garment or like material, tool 13 is then pulled away therefrom. Because of its engagement by the U-shaped filament portion 43 of each fastener 15, button 17 is secured to the garment and is pulled out of tool 13 when tool 13 is moved away from the garment.

Referring now to Fig. 9, there is shown a section view of a second embodiment of a self-contained button attachment assembly constructed according to the teachings of the present invention, the self-contained button attachment assembly being represented generally by reference numeral 71.

5 Assembly 71 is similar in most respects to assembly 11, the primary differences between assembly 71 and assembly 11 residing in the construction of the housing of assembly 71 and in the absence of a pusher plate 37 in assembly 71. The housing of assembly 71 is a two-piece construction, comprising a top member 75 and a bottom member 77, top member 75 being telescopingly mounted on top of bottom member 77. Top member 75 is sized and shaped in essentially the same manner as top portion 21 of housing 19, the primary difference being that top member 75 has a closed top end 75-1 to which ejector rods 35-1 through 35-4 (ejector rods 35-3 and 35-4 not being visible in Fig. 9) are fixedly mounted. Bottom member 77 is sized and shaped in essentially the same manner as bottom portion 15 23 of housing 19, bottom member 77 having an integrally-formed, circumferential lip 78, upon which button 17 is removably seated, and a pair of integrally-formed, circumferential lips 32-1 and 32-2, between which needle carrier 31 is fixedly mounted. As in tool 13, four hollow slotted needles 27-1 through 27-4 (needles 27-3 and 27-4 not being visible in Fig. 9) are fixedly mounted on needle carrier 31 and extend downwardly through button 17.

20 Assembly 71 is operated in essentially the same manner as assembly 71, ejector rods 35-1 through 35-4 being actuated by pushing down on top member 75.

Referring now to Figs. 10 and 11, there is shown a front perspective view and a section view, taken from the rear, of a third embodiment of a self-contained button attachment assembly constructed according to the teachings of the present invention, the self-contained button attachment assembly being represented generally by reference numeral 101.

25 Assembly 101 comprises a fastener dispensing tool 103, a pair of fasteners 15-1 and 15-2 and a conventional garment button 17.

30 Fastener dispensing tool 103 comprises a hollow, cylindrical, open-ended, unitary housing 105. Housing 105 is similar in most respects to bottom member

77 of assembly 71, the primary difference between housing 105 and bottom member 77 being that housing 105 does not have lips 32-1 and 32-2.

Like bottom member 77, housing 105 has an integrally-formed, circumferential lip 106, upon which button 17 is removably seated.

5 Fastener dispensing tool 103 also comprises a plurality of needles 107-1 through 107-4, which are fixedly mounted on a pusher plate 108 slidably mounted within housing 103 much in the same manner as pusher plate 37 is slidably mounted within top section 21 of housing 13. Needles 107-1 through 107-4 are partially inserted through corresponding openings 18-1 through 18-4 in button 17.  
10 Each needle 107 is loaded with a foot 45 of a fastener 15 as described below.

Referring now to Figs. 12 and 13, needle 107-1 is shown in greater detail (needles 107-2 through 107-4 being identical to needle 107-1). Needle 107-1, which preferably has a construction similar to that disclosed in presently pending U.S. Patent Application Serial No. 08/305,486, filed September 13, 1994, comprises  
15 an elongated member or shank 113, which is preferably a solid, unitary element which may be made, for example, of plastic or metal and may be formed by various techniques, such as molding, electroforming and stamping. Shank 113 is shaped to terminate at its front end in a relatively sharp, closed-ended tip 115 (as contrasted with the open, spoon-shaped tips of conventional needles) and is  
20 shaped to include a chamber 117 spaced rearwardly from tip 115 so that chamber 117 is situated above openings 18-1 through 18-4 of button 17.

Chamber 117, which is adapted to receive and retain, under the conditions specified below, a foot 45 of a fastener 15, is defined by a front end 121, a rear end 123, an open top 125 and an open bottom 127. Open top 125, which is  
25 spaced rearwardly a distance from tip 115, is appropriately sized and shaped to permit the insertion and removal of foot 45 into and out of chamber 117. Front end 121 is shaped to releasably engage the top surface 49 of the front of foot 45, and rear end 123 is shaped to releasably engage both the top surface 49 and the bottom surface 55 of the rear of foot 45 in such a way as to prevent foot 45 from  
30 being pulled out of chamber 117 through open top 125 when low tension is applied to flexible filament 43 of fastener 15 (i.e., prior to the complete insertion of foot 45

through the garment of like material), but yet, so as to cause foot 45 to be pulled out of chamber 117 through open top 125 when high tension is applied to flexible filament 43 (i.e., following the complete insertion of foot 45 through the garment). As seen best in Fig. 12, front end 121 angles downwardly towards tip 115 (for  
5 engaging the front of top surface 49), and rear end 123 includes a top wall 123-1 angled down away from tip 115 (for engaging the rear of top surface 49) and a bottom wall 123-2 angled down towards tip 115 (for engaging the rear of bottom surface 55).

To operate assembly 101, the user merely inserts needles 107-1 through  
10 107-4 through a desired garment (by pushing downwardly on plate 108) until chambers 117-1 through 117-4 are positioned on the opposite side of the garment. This will cause feet 45 of fasteners 15-1 and 15-2 to be discharged from chambers 117-1 through 117-4, thereby securing fasteners 15-1 and 15-2 to the garment. With fasteners 15-1 and 15-2 thus secured to the garment, tool 103 is then pulled  
15 away therefrom. Because of its engagement by the U-shaped filament portion 43 of each fastener 15, button 17 is secured to the garment and is pulled out of tool 103 when tool 103 is moved away from the garment.

It is to be understood that, whereas, in the preferred embodiments shown and described herein, button 17 has four transverse openings 18-1 through 18-4,  
20 the number of such openings need not be four and could, in fact, be any number other than four, the other components of the self-contained button attachment assembly being modified accordingly. For example, if button 17 were to have only two transverse openings, one could easily modify any of assemblies 11, 71 and 101 by simply eliminating one of the fasteners and two of the needles. Other  
25 modifications of this nature will be readily apparent to one of ordinary skill in the art.

The embodiments of the present invention recited herein are intended to be merely exemplary and those skilled in the art will be able to make numerous variations and modifications to it without departing from the spirit of the present  
30 invention. All such variations and modifications are intended to be within the scope of the present invention as defined by the claims appended hereto.



**WHAT IS CLAIMED IS:**

1. A self-contained button attachment assembly comprising:

5 (a) a fastener dispensing tool, said fastener dispensing tool comprising a housing and a first needle, said first needle having a tip at its bottom end shaped for insertion through a desired article;

(b) a button, said button being releasably secured to said housing and having a first opening aligned with said first needle; and

10 (c) a first fastener, said first fastener being positioned over said button and being adapted to be dispensed through said first opening in said button using said fastener dispensing tool.

2. The self-contained button attachment assembly as claimed in claim 1 wherein said fastener dispensing tool further comprises a second needle, said second needle having a tip at its bottom end shaped for insertion through a desired article, wherein said button has a second opening aligned with said second needle, and wherein said first fastener comprises a flexible filament having a first end and a second end, a first transverse foot disposed at said first end and a second transverse foot disposed at said second end, said first transverse foot being loaded into said first needle in order to be dispensed through said first opening in said button using said fastener dispensing tool, said second transverse foot being loaded into said second needle in order to be dispensed through said second opening in said button using said fastener dispensing tool.

25 3. The self-contained button attachment assembly as claimed in claim 2 wherein said flexible filament of said first fastener has a bent shape prior to use in connection with attaching the button to the article, said first and second transverse feet being parallel to one another and perpendicular to said flexible filament.

4. The self-contained button attachment assembly as claimed in claim 3 wherein said flexible filament of said first fastener is U-shaped.

30 5. The self-contained button attachment assembly as claimed in claim 2 wherein said flexible filament, said first transverse foot and said second transverse foot are integrally formed as a molded plastic structure.

6. The self-contained button attachment assembly as claimed in claim 2 wherein said flexible filament is generally rectangular in cross-section, has a substantially uniform width over its length and has a non-uniform thickness.

5 7. The self-contained button attachment assembly as claimed in claim 6 wherein said flexible filament has a midpoint and wherein said flexible filament is thinner near said transverse feet than near said midpoint.

10 8. The self-contained button attachment assembly as claimed in claim 2 wherein each of said transverse feet has a flat top surface, rounded ends and a bottom surface, said bottom surface extending downwardly furthest and having its greatest cross-sectional diameter at its midpoint and sloping upwardly and diminishing in cross-sectional diameter on opposite sides of said midpoint.

9. The self-contained button attachment assembly as claimed in claim 1 wherein said first needle is a hollow, slotted needle.

15 10. The self-contained button attachment assembly as claimed in claim 9 wherein said fastener is loaded in said first needle and wherein said fastener dispensing tool further comprises means for ejecting said fastener from said first needle through said first opening and into a desired article.

20 11. The self-contained button attachment assembly as claimed in claim 1 wherein said first needle comprises an elongated member, said elongated member having a chamber adapted to receive a transverse foot of a fastener, said chamber having a chamber opening spaced a distance from said tip, said chamber being appropriately sized and shaped so that a transverse foot placed within said chamber through said chamber opening and inserted through an article using said elongated member is retained within said chamber during insertion of the  
25 transverse foot through the article, but is discharged from said chamber through said chamber opening after insertion of the transverse foot through the article.

12. The self-contained button attachment assembly as claimed in claim 11 wherein said chamber is positioned over said button and wherein said first fastener has a first transverse foot placed within said chamber.

30 13. The self-contained button attachment assembly as claimed in claim 11 wherein said elongated member of said first needle is solid.

14. The self-contained button attachment assembly as claimed in claim 11 wherein the transverse foot has a front, a rear and top and bottom surfaces and wherein said chamber of said first needle is bounded by a front end, a rear end, a top and a bottom, said chamber opening being formed in said top, said front end being shaped to releasably engage the top surface of the front of the transverse foot when the transverse foot is disposed within said chamber, said rear end being shaped to releasably engage the top and bottom surfaces of the rear of the transverse foot when the transverse foot is disposed within said chamber.

15. The self-contained button attachment assembly as claimed in claim 14 wherein said front end of said chamber angles downwardly towards said tip and wherein said rear end of said chamber has a pair of walls intersecting in a V-shape.

16. The self-contained button attachment assembly as claimed in claim 11 wherein said tip of said first needle is closed-ended.

17. The self-contained button attachment assembly as claimed in claim 2 wherein said fastener dispensing tool further comprises a third needle and a fourth needle, each of said third and fourth needles having a tip at its bottom end shaped for insertion through a desired article, wherein said button has a third opening aligned with said third needle and a fourth opening aligned with said fourth needle, and further comprising a second fastener, said second fastener comprising a flexible filament having a first end and a second end, a first transverse foot disposed at said first end and a second transverse foot disposed at said second end, said first transverse foot of said second fastener being loaded into said third needle in order to be dispensed through said third opening in said button using said fastener dispensing tool, said second transverse foot of said second fastener being loaded into said fourth needle in order to be dispensed through said fourth opening in said button using said fastener dispensing tool.

18. A self-contained button attachment assembly comprising:

(a) a fastener dispensing tool;

(b) a first fastener disposed inside said fastener dispensing tool

and adapted to be dispensed by said fastener dispensing tool;

(c) a button disposed inside said fastener dispensing tool and adapted to be dispensed by said fastener dispensing tool along with said first fastener in such a way that said button may be secured to a garment or like material.

5           19. The self-contained button attachment assembly of claim 18 wherein said fastener dispensing tool comprises a needle, said first fastener being loaded in said needle and positioned above said button.

10           20. The self-contained button attachment assembly of claim 18 wherein said fastener dispensing tool comprises a first needle and a second needle, said button has first and second transverse openings, and said first fastener comprises a flexible filament having a first transverse foot at a first end and a second transverse foot at a second end, said first transverse foot being loaded into said first needle and being positioned over said first transverse opening for insertion therethrough, said second transverse foot being loaded into said second needle and positioned  
15 over said second transverse opening for insertion therethrough.

21. A fastener dispensing tool for dispensing fasteners of the type having a flexible filament and a transverse foot disposed at a first end of the flexible filament, said fastener dispensing tool comprising:

(a) a housing;

20           (b) a first needle slidably mounted within said housing, said first needle comprising an elongated member, said elongated member having a chamber adapted to receive a transverse foot of a fastener, said chamber having a chamber opening spaced a distance from said tip, said chamber being appropriately sized and shaped so that a transverse foot placed within said  
25 chamber through said chamber opening and inserted through an article using said elongated member is retained within said chamber during insertion of the transverse foot through the article, but is discharged from said chamber through said chamber opening after insertion of the transverse foot through the article.

30           22. The fastener dispensing tool as claimed in claim 21 further comprising second, third and fourth needles slidably mounted within said housing, each of said second, third and fourth needles being identical to said first needle.

23. The fastener dispensing tool as claimed in claim 21 wherein said housing is shaped to releasably hold a button below said chamber in said needle.

24. A fastener dispensing tool comprising:

(a) a housing, said housing including means for releasably securing a button therewithin; and

(b) means for dispensing a fastener through the button.

25. A fastener dispensing tool for dispensing fasteners of the type having a flexible filament and a transverse foot disposed at a first end of the flexible filament, said fastener dispensing tool comprising:

(a) a housing, said housing being an elongated hollow open-ended member having a bottom portion and a top portion, said bottom portion and said top portion being cylindrical in shape, with said bottom portion having a first cross-sectional diameter and said top portion having a second cross-sectional diameter, said second cross-sectional diameter being greater than said first cross-sectional diameter;

(b) a needle carrier plate fixedly mounted within said housing;

(c) four hollow slotted needles fixedly mounted on said needle carrier plate and extending downwardly through said housing;

(d) a pusher plate accessible from the open top end of said housing and slidable downwardly through said top portion of said housing; and

(e) four ejector rods fixedly mounted on said pusher plate and insertable through said four hollow slotted needles.

26. A fastener dispensing tool for dispensing fasteners of the type having a flexible filament and a transverse foot disposed at a first end of the flexible filament, said fastener dispensing tool comprising:

(a) a housing, said housing including a top member and a bottom member, said top member being telescopingly mounted over said bottom member, said top member having a closed top end;

(b) a needle carrier plate fixedly mounted within said bottom member of said housing;

(c) four hollow slotted needles fixedly mounted on said needle carrier plate and extending downwardly through said bottom member of said housing; and

(d) four ejector rods fixedly mounted on said closed top end of said top member and insertable through said four hollow slotted needles.



1/8

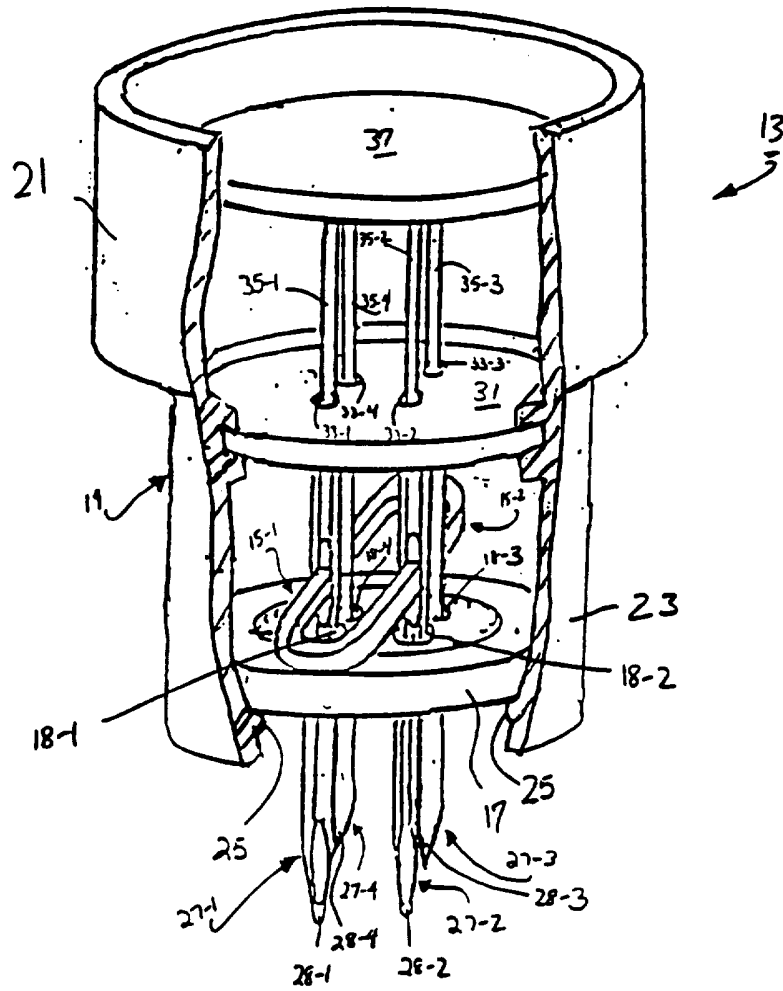


Fig. 1

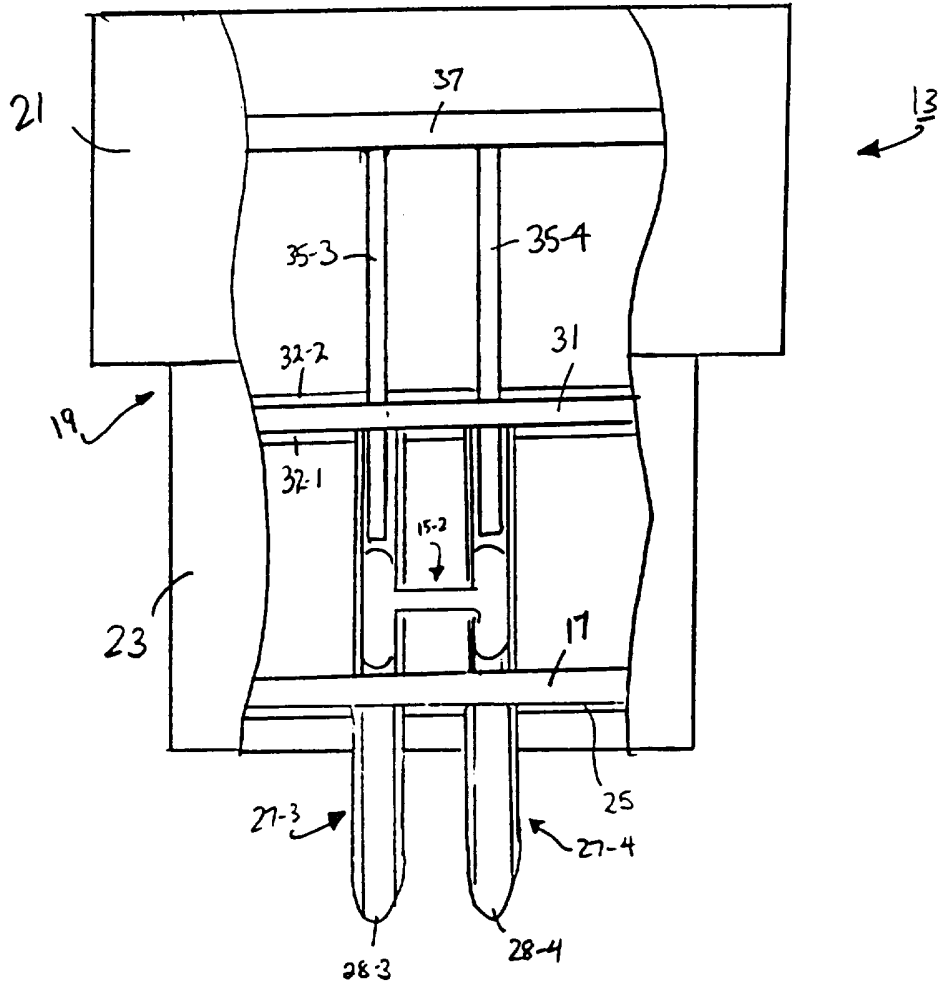


Fig. 2



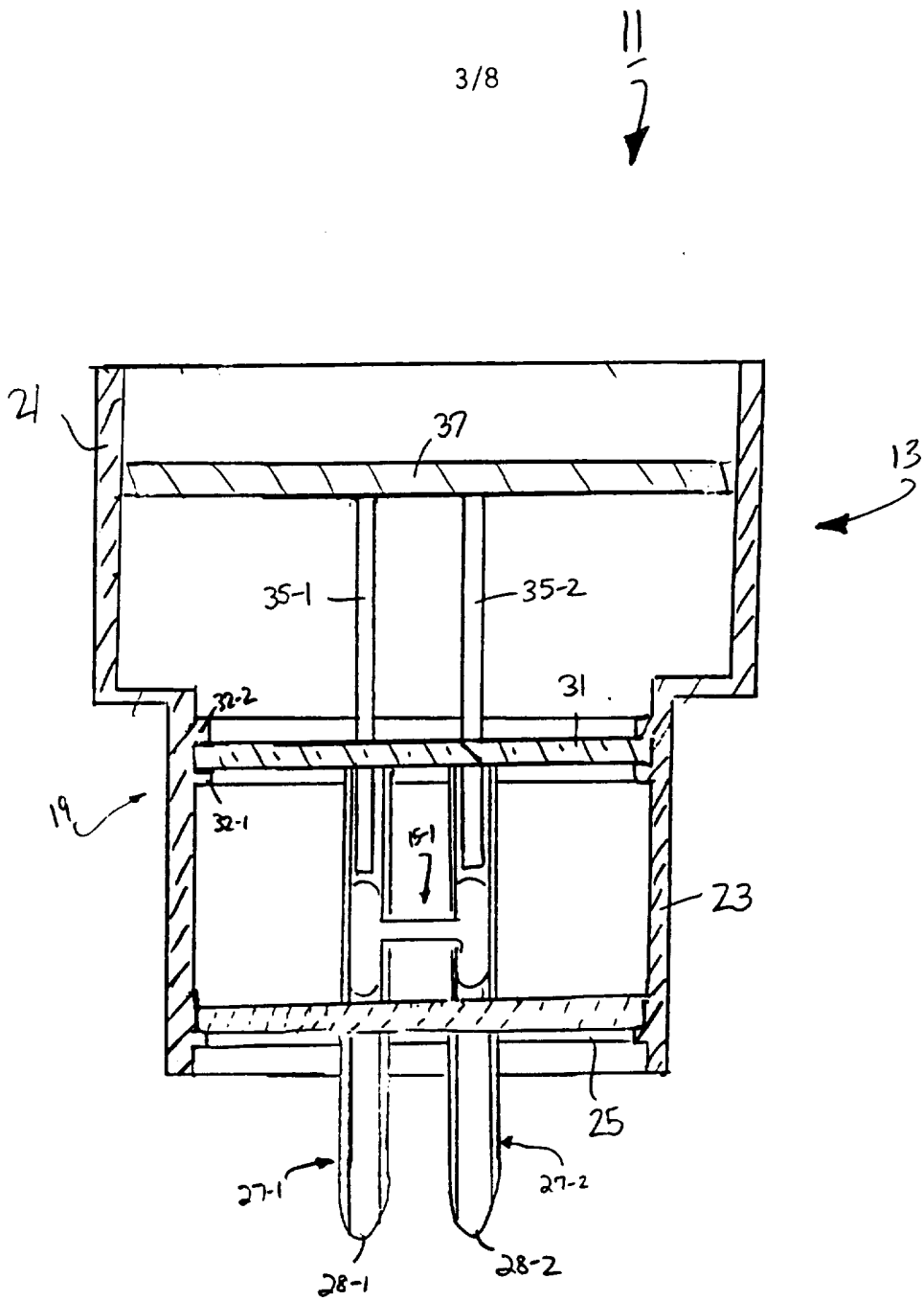


Fig. 3

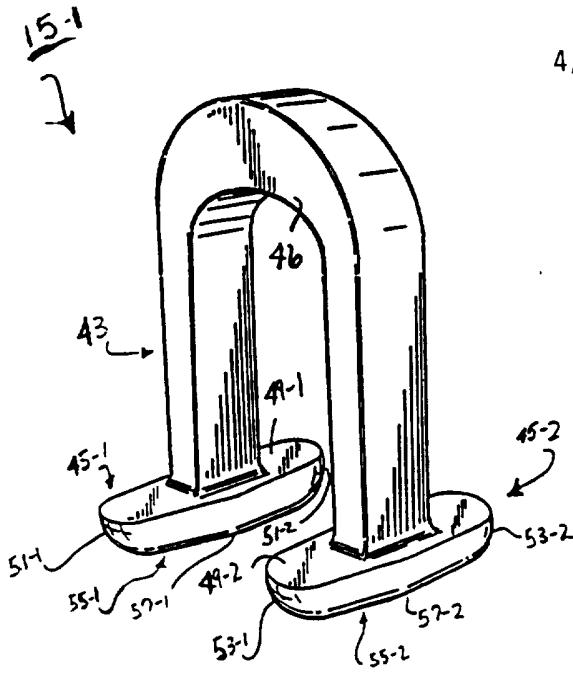


FIG. 4

4/8

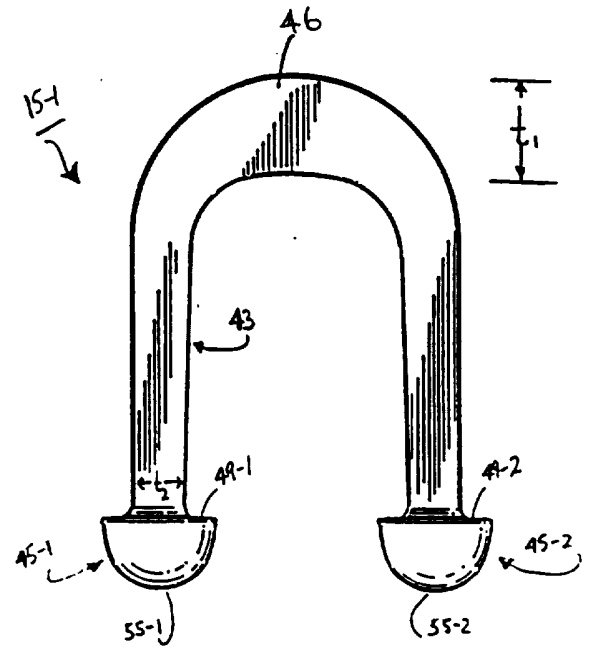


FIG. 5

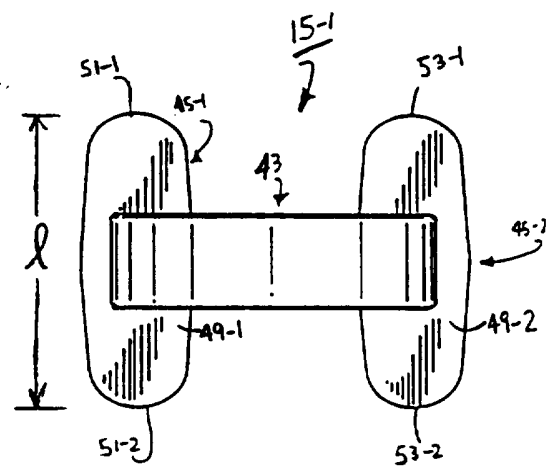


FIG. 6

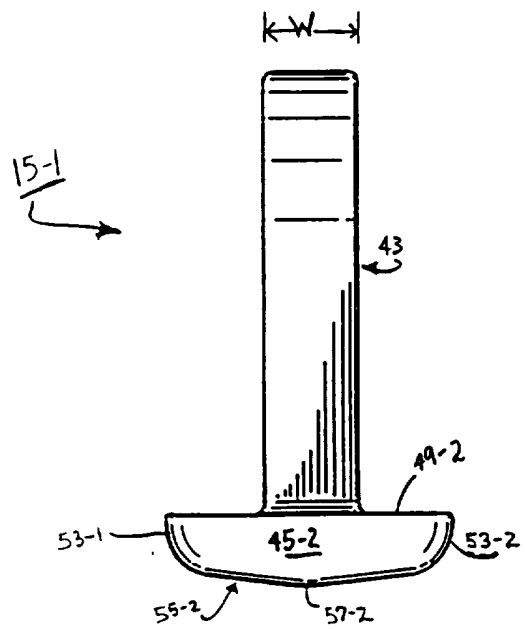


FIG. 8

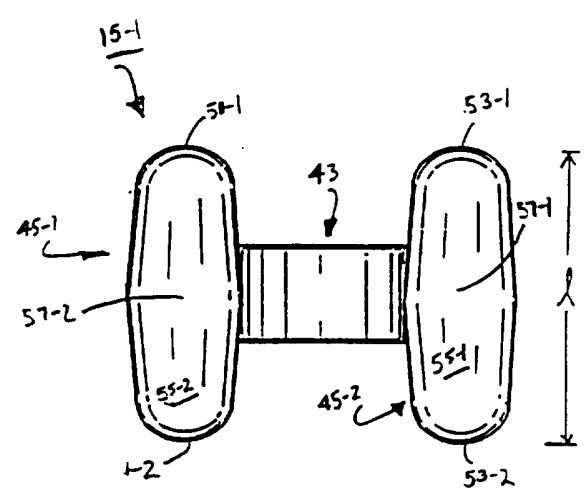


FIG. 7



5/8

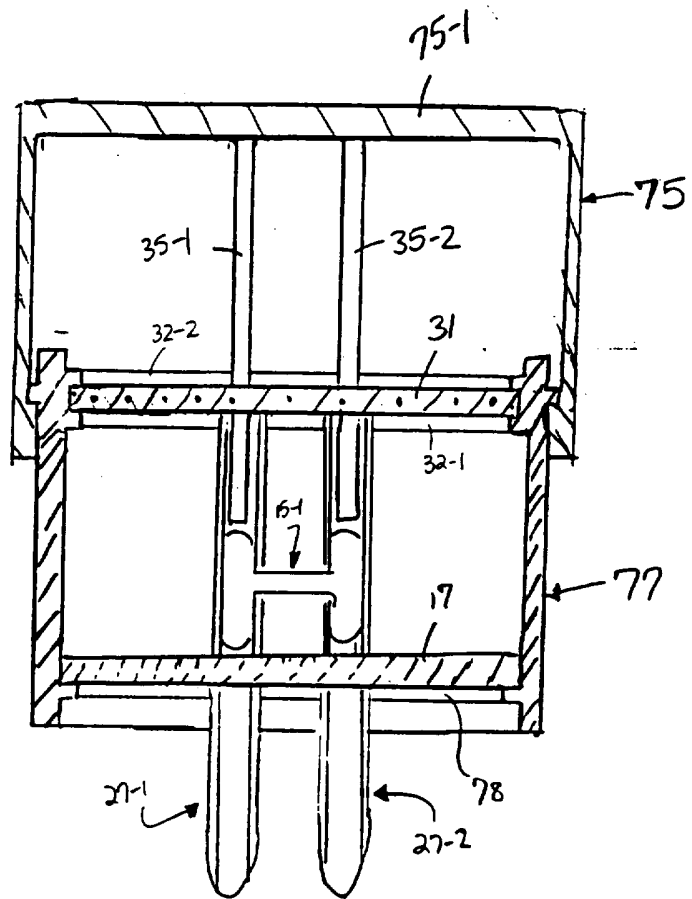


Fig. 9

6/8

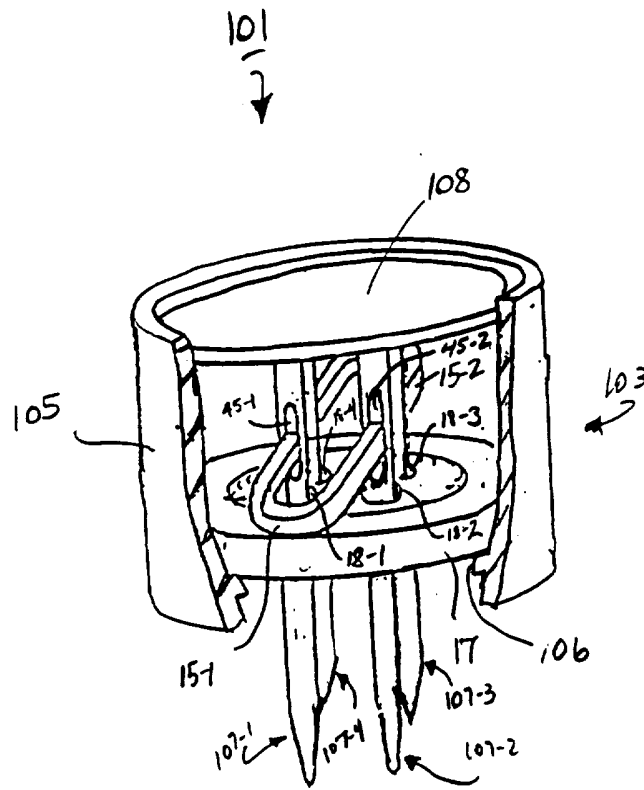


Fig. 10

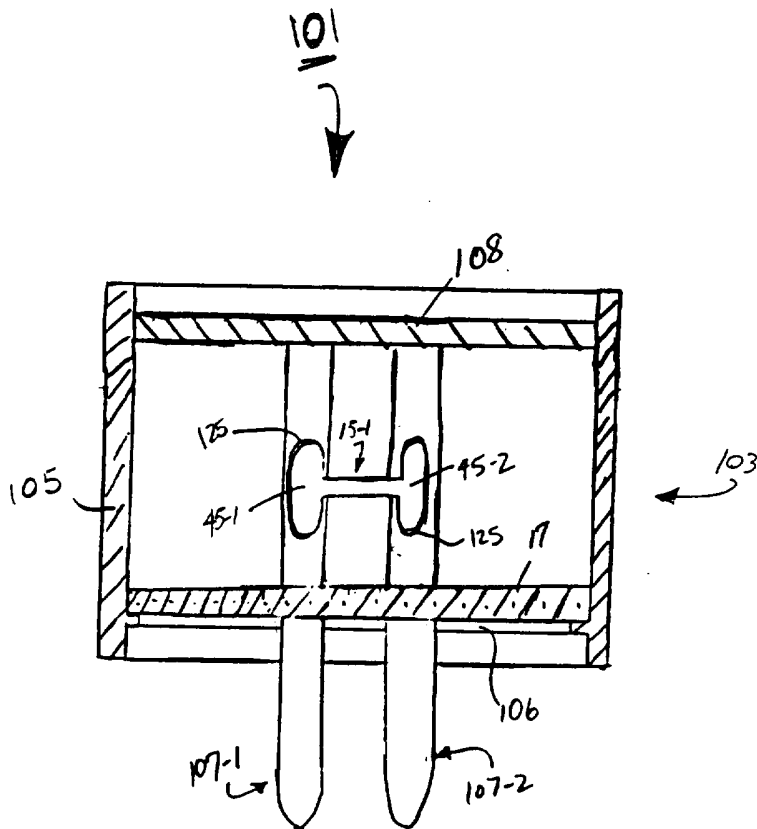
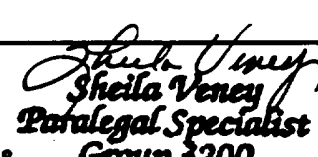


Fig. 11



**INTERNATIONAL SEARCH REPORT**

International application No.  
PCT/US95/13835

<b>A. CLASSIFICATION OF SUBJECT MATTER</b> IPC(6) :A47/H 37/10 US CL :227/71, 67 According to International Patent Classification (IPC) or to both national classification and IPC		
<b>B. FIELDS SEARCHED</b> Minimum documentation searched (classification system followed by classification symbols) U.S. : 227/67, 68, 70, 71, 72, 119; 112/110 Documentation searched other than minimum documentation to the extent that such documents are included in the fields searched NONE Electronic data base consulted during the international search (name of data base and, where practicable, search terms used) NONE		
<b>C. DOCUMENTS CONSIDERED TO BE RELEVANT</b>		
Category*	Citation of document, with indication, where appropriate, of the relevant passages	Relevant to claim No.
X	US, A, 2,935,434 (DAWSON) 03 May 1960, See figures 8	18
---		-----
Y		19-24
A	US, A, 3,399,432 (MERSER) 03 September 1968, See figures 5-8	1-26
Y	US, A, 3,470,834 (BONE) 07 October 1969, See figures 1-4	21-23, 25, 26
Y	US, A, 3,875,648 (BONE) 08 April 1975, See figures 14, 41 and 42	21-23
Y	US, A, 3,900,925 (LA TORRACA) 26 August 1975, See figures 2 and 3	11-16, 21-23
<input checked="" type="checkbox"/> Further documents are listed in the continuation of Box C. <input type="checkbox"/> See patent family annex.		
* Special categories of cited documents: *A* document defining the general state of the art which is not considered to be of particular relevance *E* earlier document published on or after the international filing date *L* document which may throw doubts on priority claim(s) or which is cited to establish the publication date of another citation or other special reason (as specified) *O* document referring to an oral disclosure, use, exhibition or other means *P* document published prior to the international filing date but later than the priority date claimed	*T* later document published after the international filing date or priority date and not in conflict with the application but cited to understand the principles or theory underlying the invention *X* document of particular relevance; the claimed invention cannot be considered novel or cannot be considered to involve an inventive step when the document is taken alone *Y* document of particular relevance; the claimed invention cannot be considered to involve an inventive step when the document is combined with one or more other such documents, such combination being obvious to a person skilled in the art *Z* document member of the same patent family	
Date of the actual completion of the international search 01 FEBRUARY 1996	Date of mailing of the international search report 23 FEB 1996	
Name and mailing address of the ISA/US Commissioner of Patents and Trademarks Box PCT Washington, D.C. 20231 Facsimile No. (703) 305-3230	Authorized officer CLARK F. DEXTER Telephone No. (703) 308-1148  Paralegal Specialist Group 3200	

## INTERNATIONAL SEARCH REPORT

International application No.  
PCT/US95/13835

## C (Continuation). DOCUMENTS CONSIDERED TO BE RELEVANT

Category*	Citation of document, with indication, where appropriate, of the relevant passages	Relevant to claim No.
Y	US, A, 4,128,067 (ZOCHER) 05 December 1978, See figure 7	11-16, 21-23
X	US, A, 4,316,562 (DAVIDSON ET AL) 23 February 1982, See figures 1-3	1
—		18-20, 24
Y	US, A, 5,020,713 (KUNREUTHER) 04 June 1991, See figure 1	21-23
Y	US, A, 5,205,458 (KUNREUTHER) 27 April 1993, See figure 1	21-23