

(12) INTERNATIONAL APPLICATION PUBLISHED UNDER THE PATENT COOPERATION TREATY (PCT)

(19) World Intellectual Property Organization
International Bureau



(43) International Publication Date
6 March 2003 (06.03.2003)

PCT

(10) International Publication Number
WO 03/019569 A3

(51) International Patent Classification⁷: **G11C 11/16**

(21) International Application Number: PCT/US02/24622

(22) International Filing Date: 2 August 2002 (02.08.2002)

(25) Filing Language: English

(26) Publication Language: English

(30) Priority Data:
09/940,263 27 August 2001 (27.08.2001) US

(71) Applicant: **MOTOROLA INC.** [US/US]; 1303 East Algonquin Road, Schaumburg, IL 60196 (US).

(72) Inventors: **RIZZO, Nicholas, D.**; 1238 North Palm-springs Drive, Gilbert, AZ 85234 (US). **DEHERRERA, Mark, F.**; 2301 East Laird Street, Tempe, AZ 85281 (US). **ENGEL, Bradley, N.**; 5651 West Gail Drive, Chandler, AZ 85226 (US).

(74) Agent: **KOCH, William, E.**; Corporate Law Department, Intellectual Property Section, 3102 North 56th Street, MD: AZ11/56-238, Phoenix, AZ 85018_ (US).

(81) Designated States (national): AE, AG, AL, AM, AT, AU, AZ, BA, BB, BG, BR, BY, BZ, CA, CH, CN, CO, CR, CU,

CZ, DE, DK, DM, DZ, EC, EE, ES, FI, GB, GD, GE, GH, GM, HR, HU, ID, IL, IN, IS, JP, KE, KG, KP, KR, KZ, LC, LK, LR, LS, LT, LU, LV, MA, MD, MG, MK, MN, MW, MX, MZ, NO, NZ, OM, PH, PL, PT, RO, RU, SD, SE, SG, SI, SK, SL, TJ, TM, TN, TR, TT, TZ, UA, UG, UZ, VN, YU, ZA, ZM, ZW.

(84) Designated States (regional): ARIPO patent (GH, GM, KE, LS, MW, MZ, SD, SL, SZ, TZ, UG, ZM, ZW), Eurasian patent (AM, AZ, BY, KG, KZ, MD, RU, TJ, TM), European patent (AT, BE, BG, CH, CY, CZ, DE, DK, EE, ES, FI, FR, GB, GR, IE, IT, LU, MC, NL, PT, SE, SK, TR), OAPI patent (BF, BJ, CF, CG, CI, CM, GA, GN, GQ, GW, ML, MR, NE, SN, TD, TG).

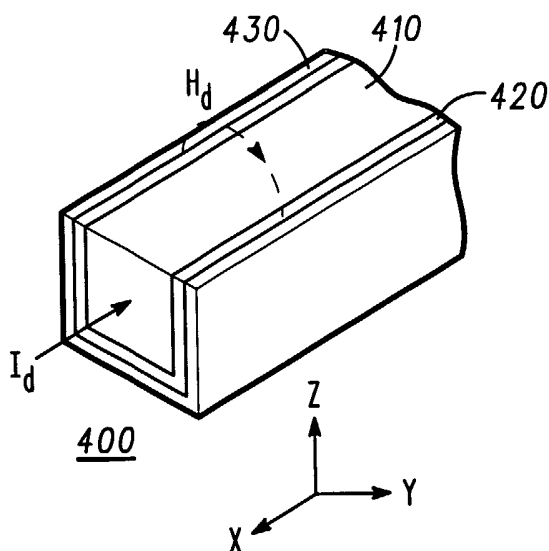
Published:

- with international search report
- before the expiration of the time limit for amending the claims and to be republished in the event of receipt of amendments

(88) Date of publication of the international search report:
27 November 2003

For two-letter codes and other abbreviations, refer to the "Guidance Notes on Codes and Abbreviations" appearing at the beginning of each regular issue of the PCT Gazette.

(54) Title: MAGNETO-ELECTRONIC COMPONENT



(57) Abstract: A magneto-electronic component includes an electrically conductive layer (110, 710) for generating a magnetic field, a ferromagnetic cladding layer (120, 220, 420, 720) adjacent to the electrically conductive layer, and an antiferromagnetic layer (130, 230, 430, 730) adjacent to the ferromagnetic cladding layer.



WO 03/019569 A3

INTERNATIONAL SEARCH REPORT

International Application No

PCT/US 02/24622

A. CLASSIFICATION OF SUBJECT MATTER
IPC 7 G11C11/16

According to International Patent Classification (IPC) or to both national classification and IPC

B. FIELDS SEARCHED

Minimum documentation searched (classification system followed by classification symbols)

IPC 7 G11C

Documentation searched other than minimum documentation to the extent that such documents are included in the fields searched

Electronic data base consulted during the international search (name of data base and, where practical, search terms used)

EPO-Internal, WPI Data, PAJ

C. DOCUMENTS CONSIDERED TO BE RELEVANT

Category °	Citation of document, with indication, where appropriate, of the relevant passages	Relevant to claim No.
A	US 3 922 651 A (KOBAYASHI TOSHIHIKO ET AL) 25 November 1975 (1975-11-25) column 2, line 51 -column 3, line 10; figure 3 -----	1-10

Further documents are listed in the continuation of box C.

Patent family members are listed in annex.

° Special categories of cited documents :

"A" document defining the general state of the art which is not considered to be of particular relevance

"E" earlier document but published on or after the international filing date

"L" document which may throw doubts on priority claim(s) or which is cited to establish the publication date of another citation or other special reason (as specified)

"O" document referring to an oral disclosure, use, exhibition or other means

"P" document published prior to the international filing date but later than the priority date claimed

"T" later document published after the international filing date or priority date and not in conflict with the application but cited to understand the principle or theory underlying the invention

"X" document of particular relevance; the claimed invention cannot be considered novel or cannot be considered to involve an inventive step when the document is taken alone

"Y" document of particular relevance; the claimed invention cannot be considered to involve an inventive step when the document is combined with one or more other such documents, such combination being obvious to a person skilled in the art.

"&" document member of the same patent family

Date of the actual completion of the international search

15 September 2003

Date of mailing of the international search report

29/09/2003

Name and mailing address of the ISA

European Patent Office, P.B. 5818 Patentlaan 2
NL - 2280 HV Rijswijk
Tel. (+31-70) 340-2040, Tx. 31 651 epo nl,
Fax: (+31-70) 340-3016

Authorized officer

Lindquist, J

INTERNATIONAL SEARCH REPORT

Information on patent family members

In International Application No PCT/US 02/24622

Patent document cited in search report		Publication date		Patent family member(s)	Publication date
US 3922651	A	25-11-1975	JP	49065742 A	26-06-1974
			GB	1412313 A	05-11-1975
