



(12) **United States Design Patent**
Farley

(10) **Patent No.:** **US D734,537 S**
(45) **Date of Patent:** **** Jul. 14, 2015**

(54) **CLIP FOR AN ELECTRONIC CIGARETTE**

(71) Applicant: **Darryl Farley**, Fort Smith, AR (US)

(72) Inventor: **Darryl Farley**, Fort Smith, AR (US)

(**) Term: **14 Years**

(21) Appl. No.: **29/469,519**

(22) Filed: **Oct. 10, 2013**

(51) **LOC (10) Cl.** **27-99**

(52) **U.S. Cl.**
USPC **D27/194; D27/183**

(58) **Field of Classification Search**
USPC D11/215; 24/3.11, 3.12, 11 F, 11 HC,
24/11 S; D32/61-65; 131/257, 258, 190;
D19/196, 197

CPC A24F 13/22; D06F 53/005; B43K 23/126
See application file for complete search history.

(56) **References Cited**

U.S. PATENT DOCUMENTS

D24,768	S	*	10/1895	Wood	D19/56
899,290	A	*	9/1908	Bricker	248/145.6
1,333,765	A	*	3/1920	Moore	24/11 R
1,397,818	A	*	11/1921	Moore	24/11 M
1,644,668	A	*	10/1927	Clyne	101/3.1
1,756,241	A	*	4/1930	Doebler	24/11 F
1,825,730	A	*	10/1931	Hoke	15/438
2,293,430	A	*	8/1942	Forrest	24/11 M
D162,959	S	*	4/1951	Janes et al.	D7/620
3,596,859	A	*	8/1971	MacDonald	248/214
D260,471	S	*	9/1981	Douglas	D7/622
D285,362	S	*	8/1986	Boone et al.	D27/183
D291,746	S	*	9/1987	Evans	D3/228
D304,667	S	*	11/1989	Hutton	D8/18
4,955,518	A	*	9/1990	Parsons et al.	224/247
D350,216	S	*	8/1994	Heaton	D27/144
D471,316	S	*	3/2003	Budde	D27/161
D473,760	S	*	4/2003	Perez	D7/620
D484,753	S	*	1/2004	Giampavolo	D7/620
D489,478	S	*	5/2004	Shioi	D27/142

D489,577	S	*	5/2004	Giampavolo	D7/620
D495,348	S	*	8/2004	Brasseur	D15/144
D497,779	S	*	11/2004	Giampavolo	D7/620
D511,439	S	*	11/2005	Roybal	D7/620
7,047,601	B1	*	5/2006	Vernon-Woods	24/3.12
D586,398	S	*	2/2009	Cheng et al.	D19/56
D669,317	S	*	10/2012	Giampavolo et al.	D7/620
2002/0162866	A1	*	11/2002	Hurtgam	224/251
2008/0179362	A1	*	7/2008	Vaysberg et al.	224/269
2013/0200087	A1	*	8/2013	Mango et al.	220/710.5

* cited by examiner

Primary Examiner — Susan Bennett Hattan

Assistant Examiner — Janice Hallmark

(57) **CLAIM**

The ornamental design for a clip for an electronic cigarette, as shown and described.

DESCRIPTION

FIG. 1 is an orthographic view of a clip for an electronic cigarette;

FIG. 2 is a front elevation view of a clip for an electronic cigarette;

FIG. 3 is a back elevation view a clip for an electronic cigarette;

FIG. 4 is a side elevation view a clip for an electronic cigarette;

FIG. 5 is a side elevation view a clip for an electronic cigarette;

FIG. 6 is a top elevation view a clip for an electronic cigarette;

FIG. 7 is a bottom elevation view a clip for an electronic cigarette;

FIG. 8 is a bottom orthographic view of a clip for an electronic cigarette; and,

FIG. 9 includes an orthographic view of a clip on an electronic cigarette.

The broken lines in FIG. 9 depict an electronic cigarette that forms no part of the claimed design.

1 Claim, 8 Drawing Sheets

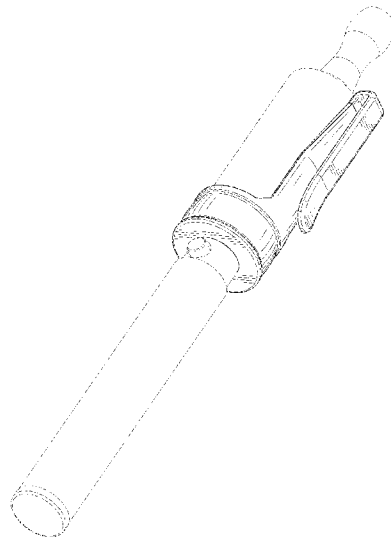


FIG. 1

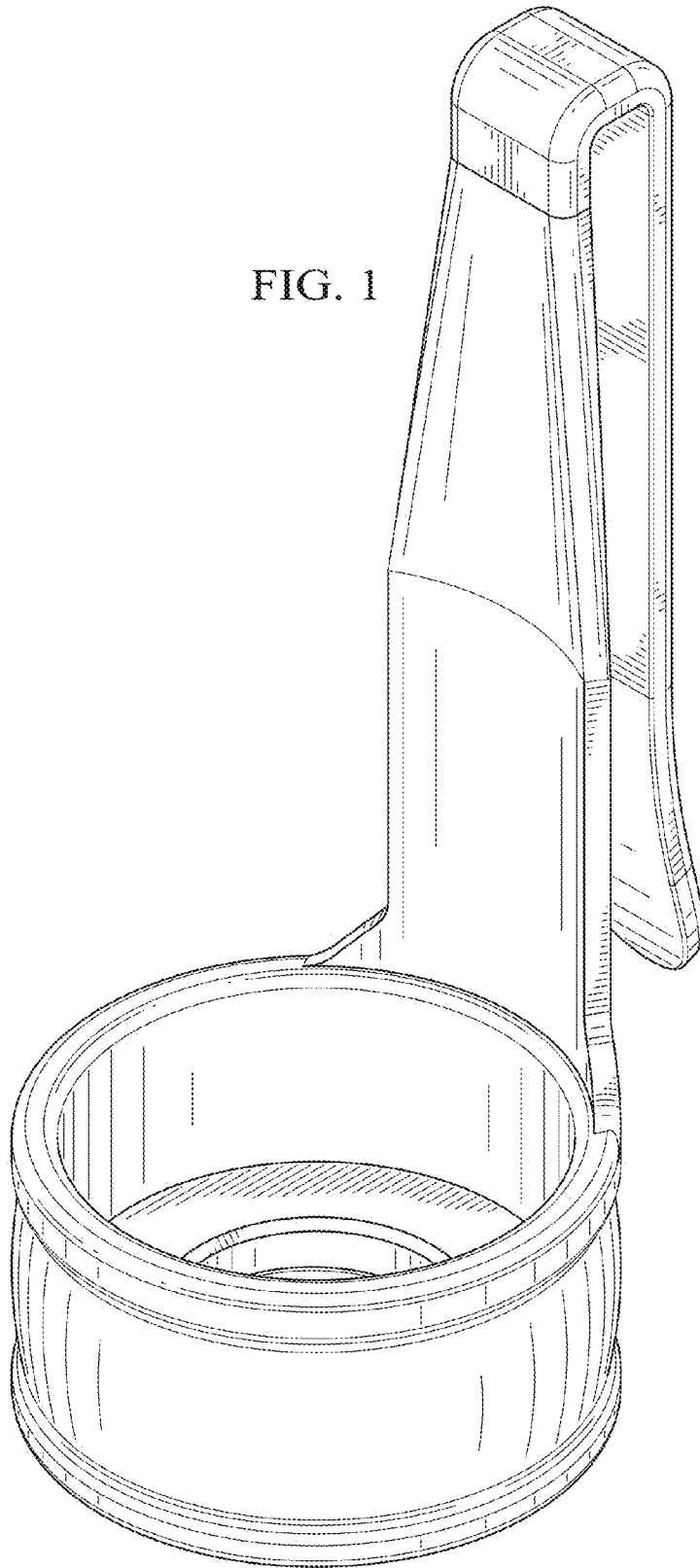


FIG. 2

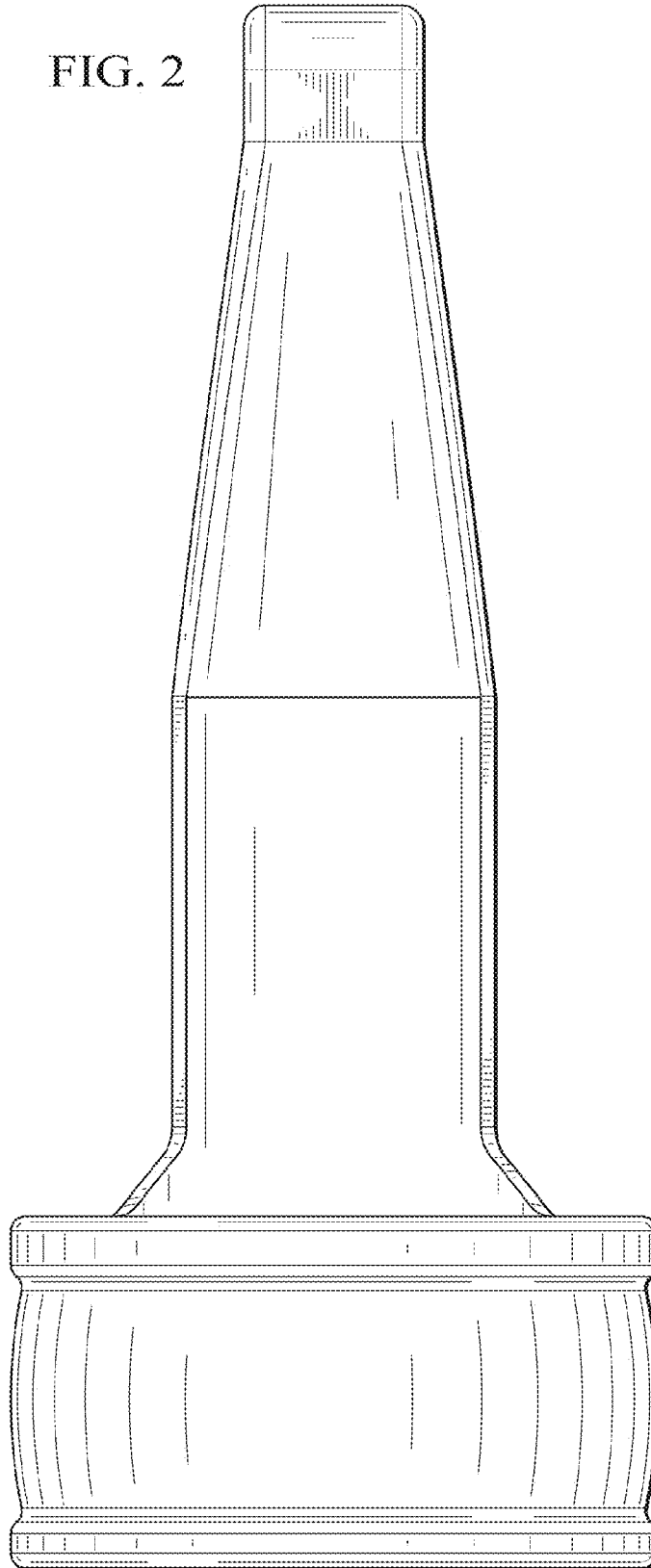


FIG. 3

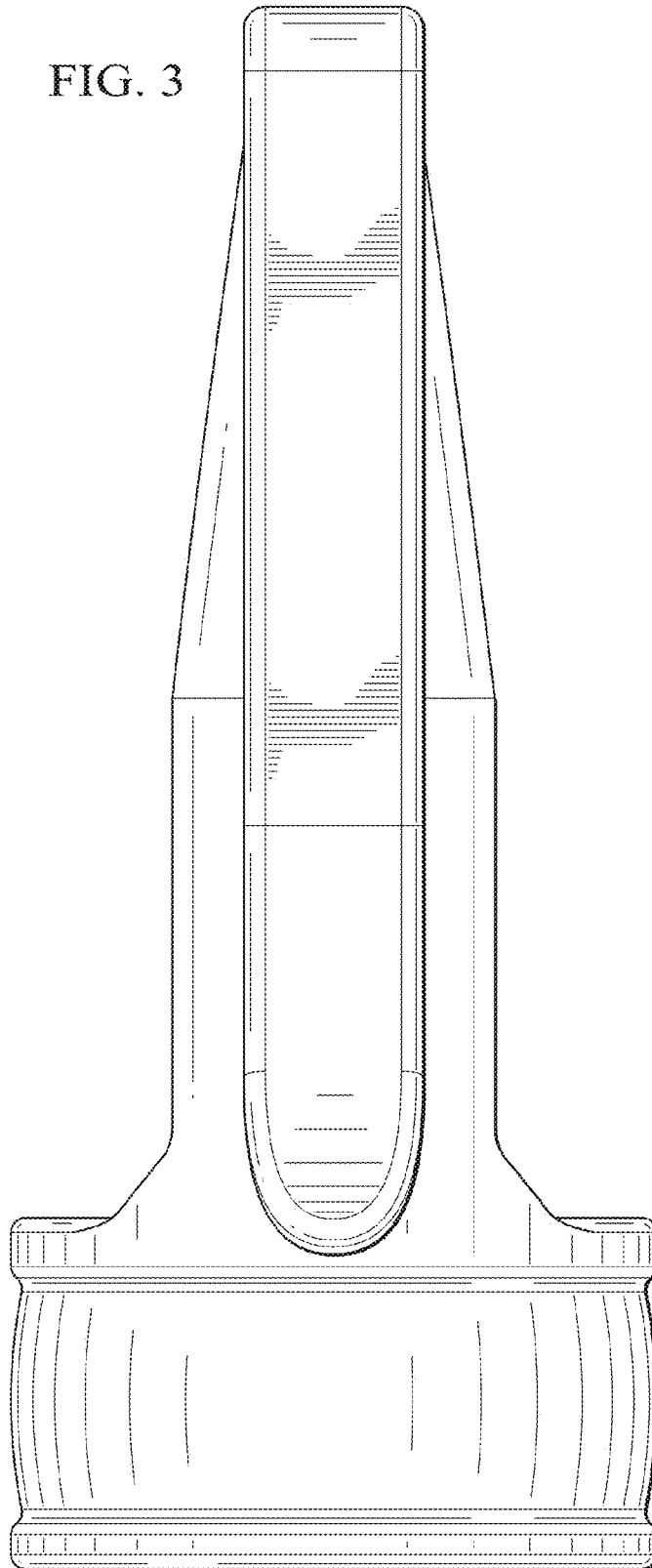
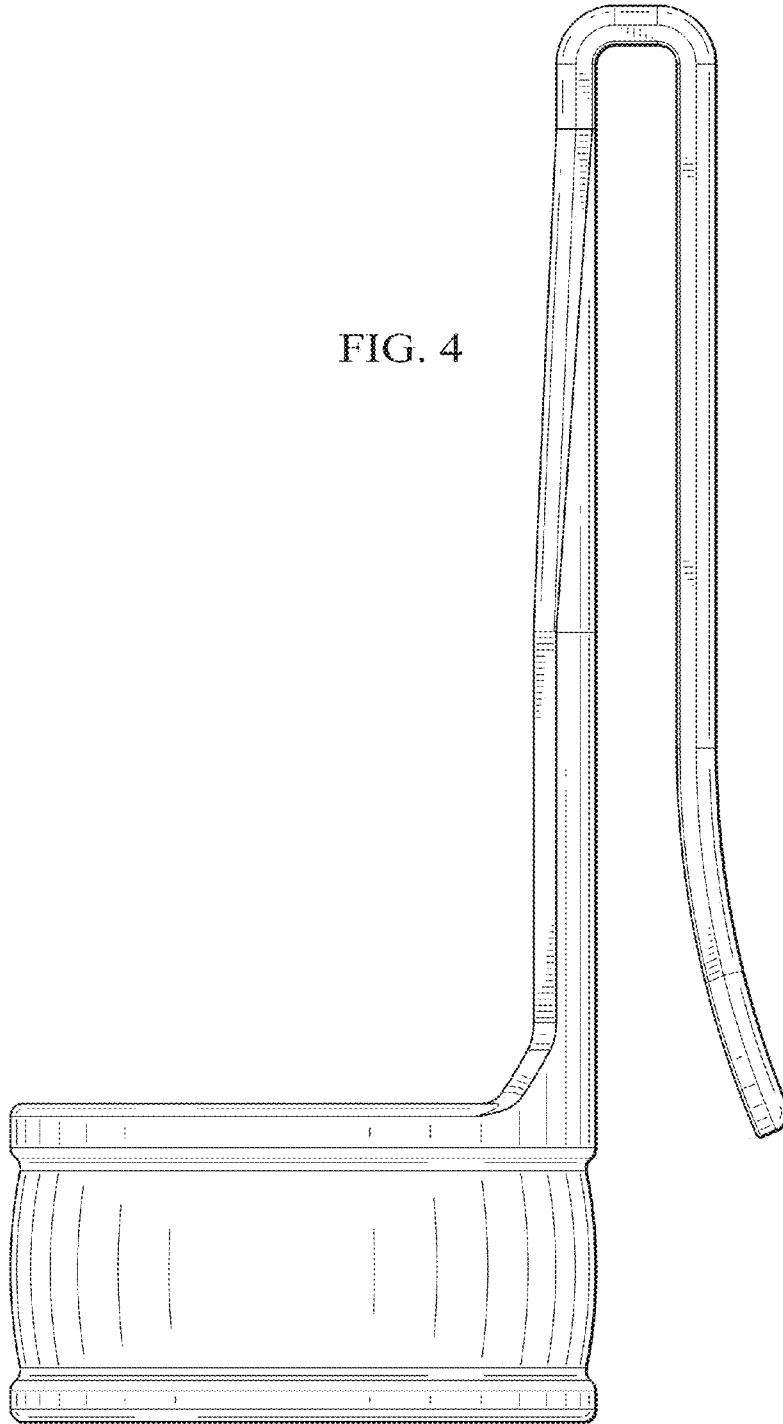


FIG. 4



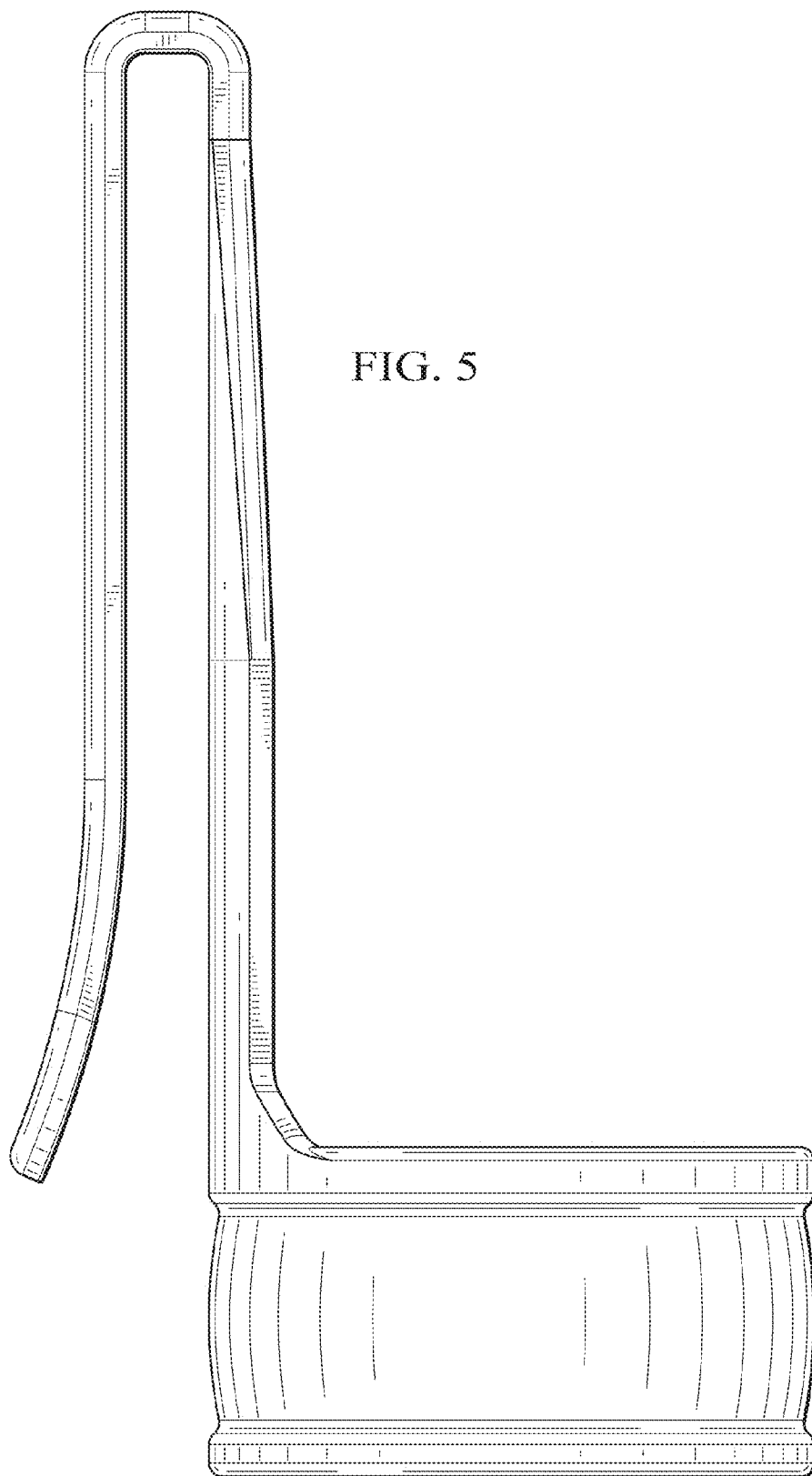


FIG. 6

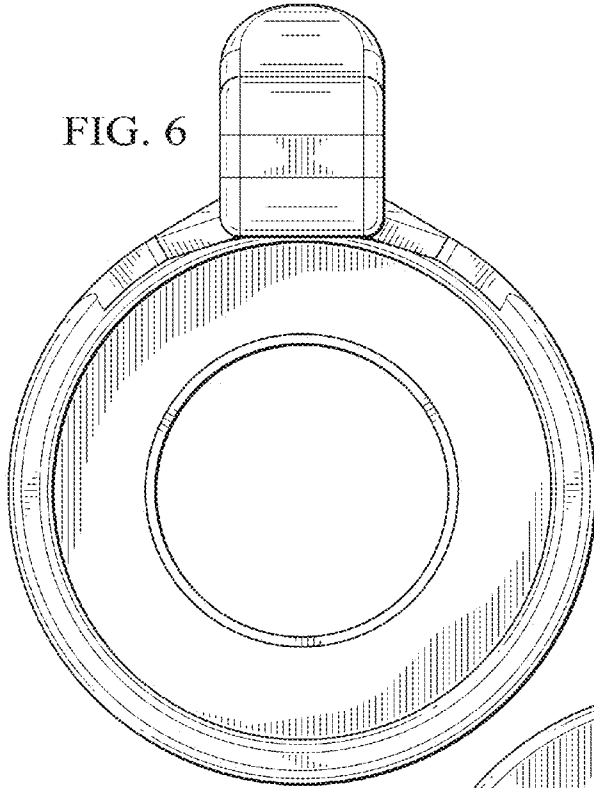


FIG. 7

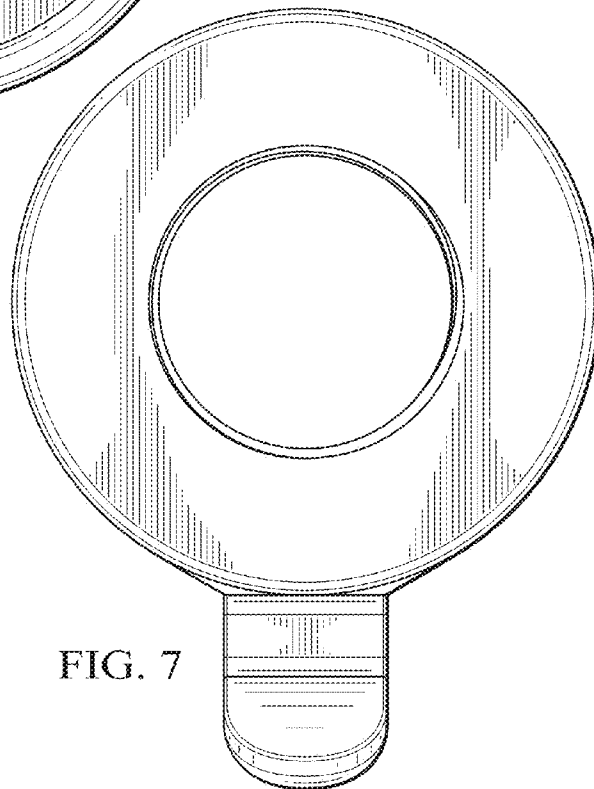


FIG. 8

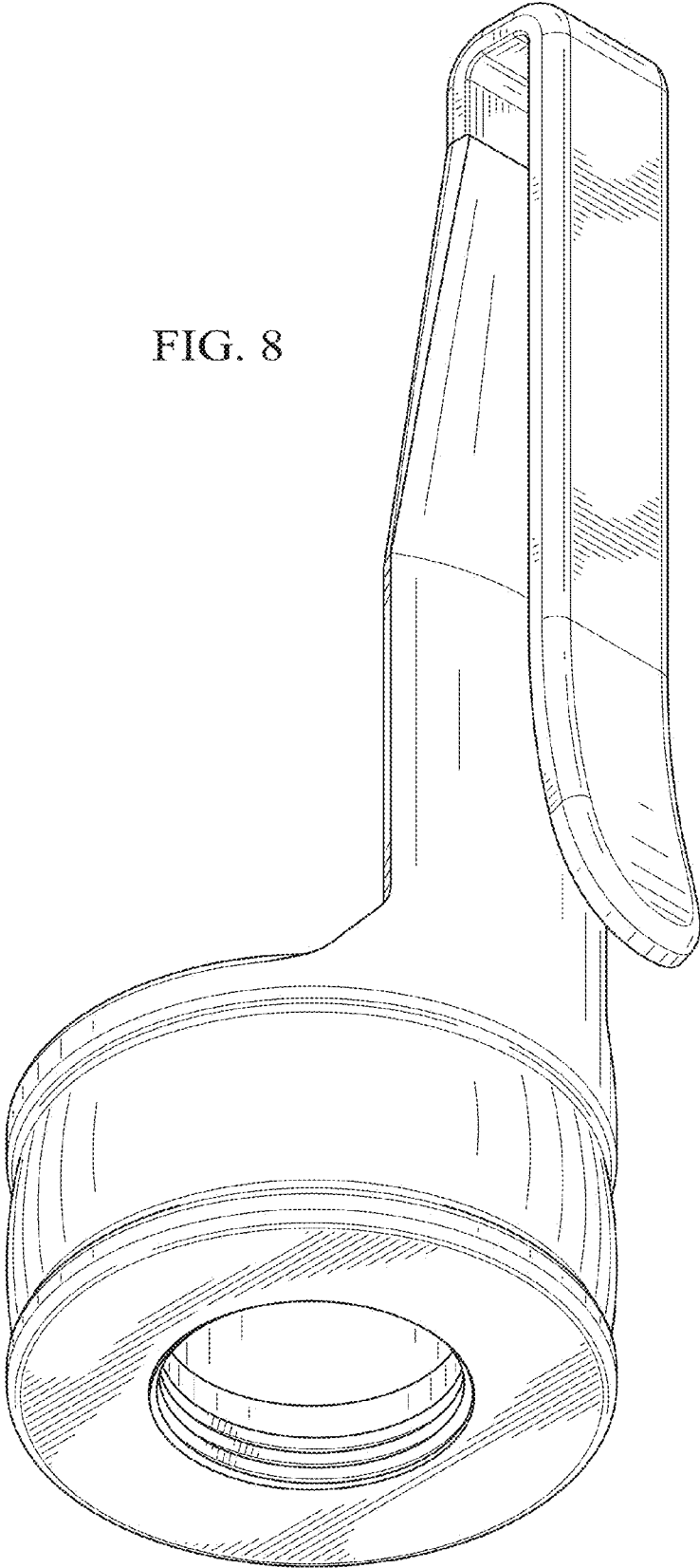


FIG. 9

