



US00D514442S

(12) **United States Design Patent**  
**Lowe**

(10) **Patent No.:** **US D514,442 S**

(45) **Date of Patent:** **\*\* Feb. 7, 2006**

(54) **ORNAMENTAL PACKAGE GROUPING**

*Primary Examiner*—Sandra L. Morris

(76) **Inventor:** **Patrice Lowe**, 631 Lunar, Brea, CA  
(US) 92821

(74) *Attorney, Agent, or Firm*—Mind Law Firm; Jeromye V. Sartain

(\*\*) **Term:** **14 Years**

(57) **CLAIM**

(21) **Appl. No.:** **29/182,151**

The ornamental design for an ornamental package grouping, as shown and described.

(22) **Filed:** **May 19, 2003**

(51) **LOC (8) Cl.** ..... **09-03**

**DESCRIPTION**

(52) **U.S. Cl.** ..... **D9/428; D9/503; D7/505; D7/615**

FIG. 1 shows a top perspective view of a three-package embodiment of the present invention;

(58) **Field of Classification Search** ..... **D7/505, D7/622, 701, 538, 584, 610, 612, 615, 629–630, D7/703; D9/503, 744–746, 428–429, 605; 206/503–504, 549, 508–509; 220/23.6, 23.83, 220/23.4**

FIG. 2 shows a side perspective view of a three-package embodiment of the present invention;

FIG. 3 shows a side view of a three-package embodiment of the present invention;

See application file for complete search history.

FIG. 4 shows a top perspective view of a four-package embodiment of the present invention;

FIG. 5 shows a side perspective view of a four-package embodiment of the present invention;

(56) **References Cited**

**U.S. PATENT DOCUMENTS**

D28,413 S	*	3/1898	Taite	.....	D9/504
1,516,775 A	*	11/1924	McCarron	.....	206/503
1,621,540 A	*	3/1927	Hile	.....	220/23.83
D105,090 S	*	6/1937	Connor	.....	D9/503
D193,219 S	*	7/1962	Burdick et al.	.....	D9/503
D198,512 S	*	6/1964	Burdick et al.	.....	D9/503
3,162,882 A	*	12/1964	Womer	.....	220/23.83
4,117,948 A	*	10/1978	Collins	.....	220/23.83
4,505,506 A	*	3/1985	Picozza	.....	206/503
5,021,351 A	*	6/1991	Ervin	.....	206/508
D352,896 S	*	11/1994	Jones	.....	D9/428
5,409,128 A	*	4/1995	Mitchell	.....	220/23.4
5,413,801 A	*	5/1995	McIlwain	.....	220/23.83
5,769,229 A	*	6/1998	Andress et al.	.....	206/508
D444,351 S	*	7/2001	Lillelund et al.	.....	D7/629
D445,961 S	*	7/2001	Motosko	.....	D9/745
D494,474 S	*	8/2004	Houk et al.	.....	D9/504

FIG. 6 shows a side view of a four-package embodiment of the present invention;

FIG. 7 shows a top perspective view of a five-package embodiment of the present invention;

FIG. 8 shows a side perspective view of a five-package embodiment of the present invention;

FIG. 9 shows a side view of a five-package embodiment of the present invention;

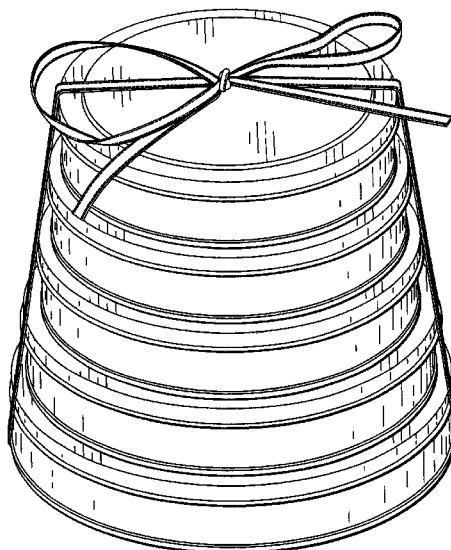
FIG. 10 shows a top perspective view of a five-package embodiment of the present invention with a ribbon securing the packages;

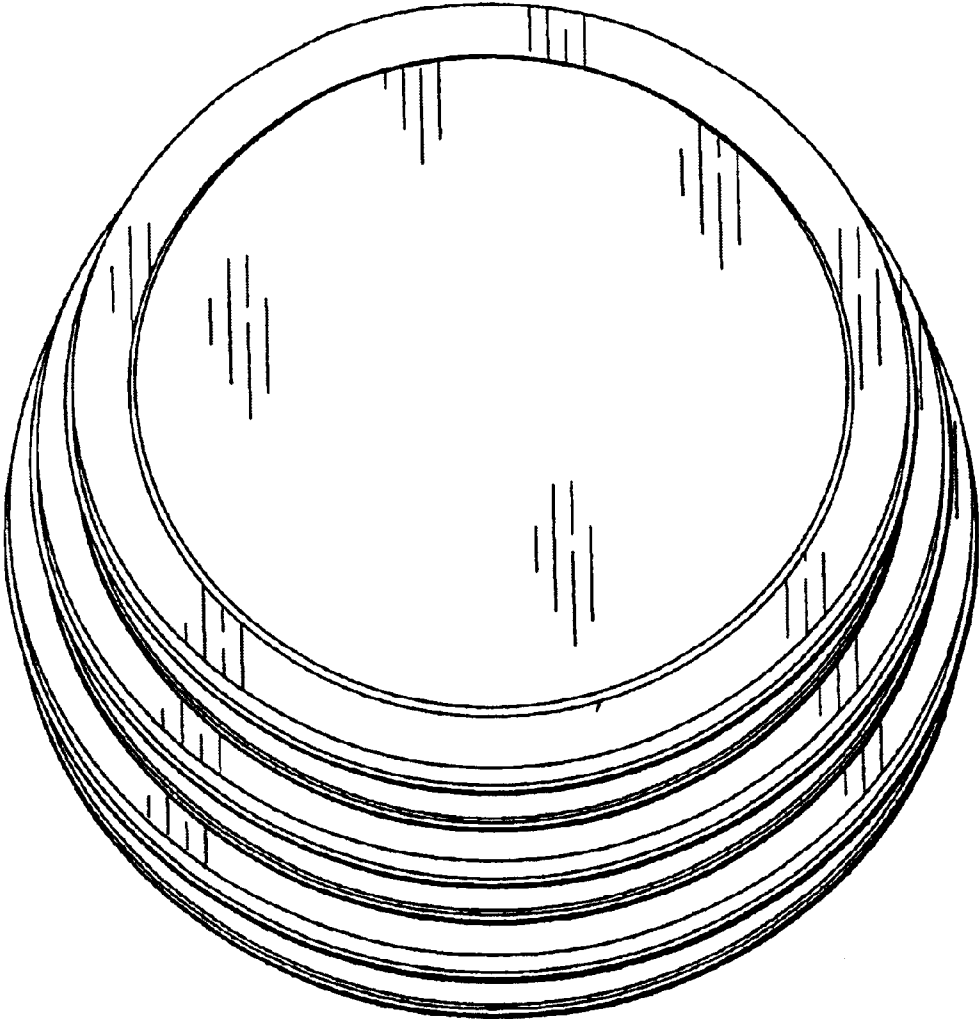
FIG. 11 shows a side perspective view of a five-package embodiment of the present invention with a ribbon securing the packages; and,

FIG. 12 shows a side view of a five-package embodiment of the present invention with a ribbon securing the packages.

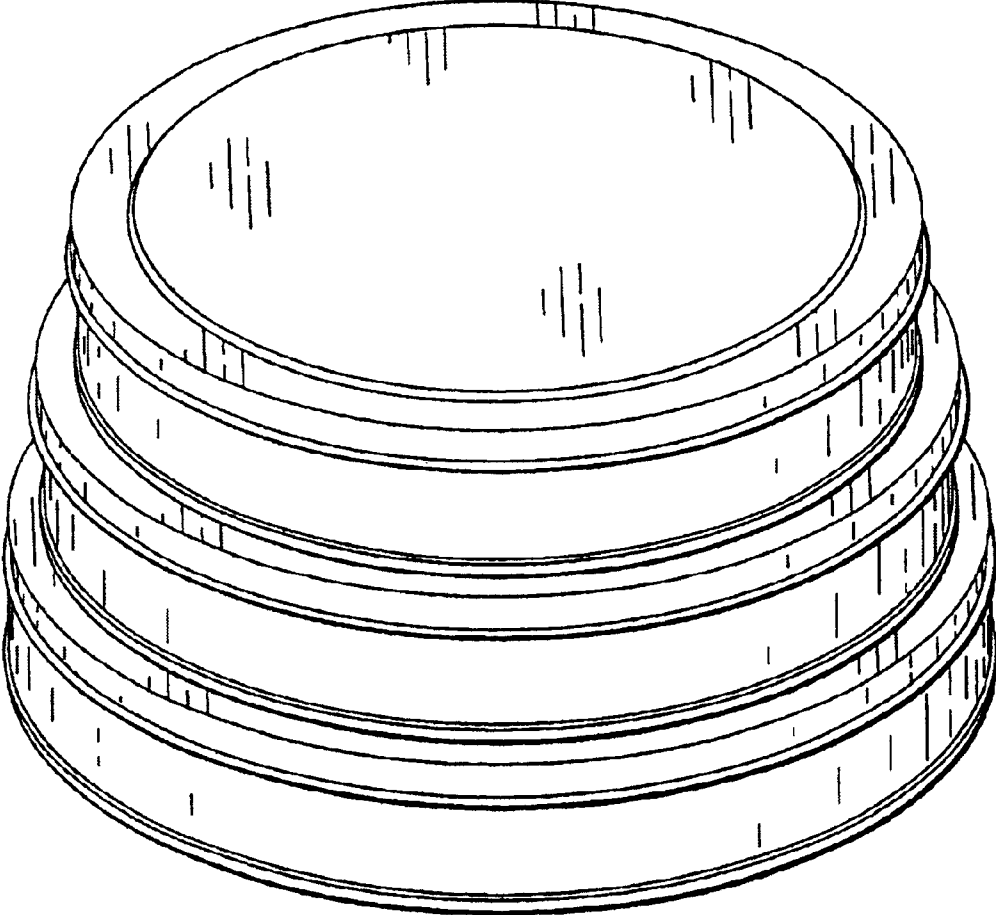
\* cited by examiner

**1 Claim, 12 Drawing Sheets**

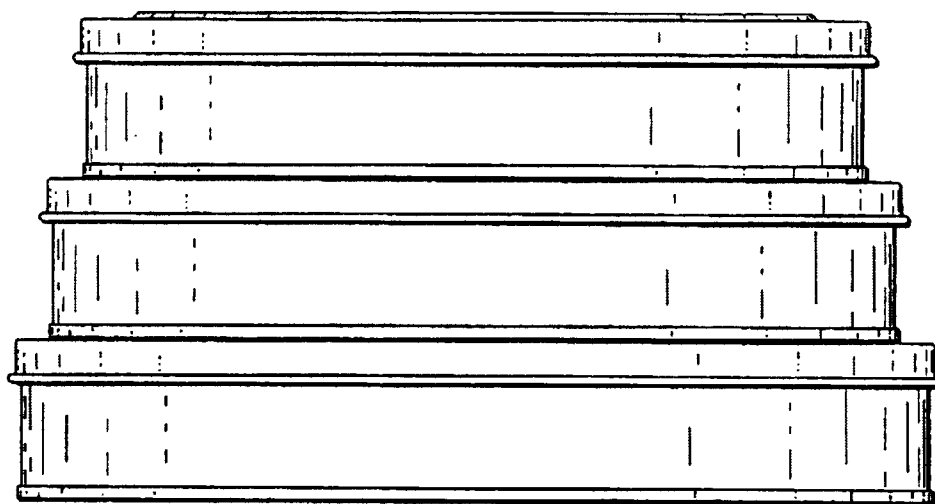




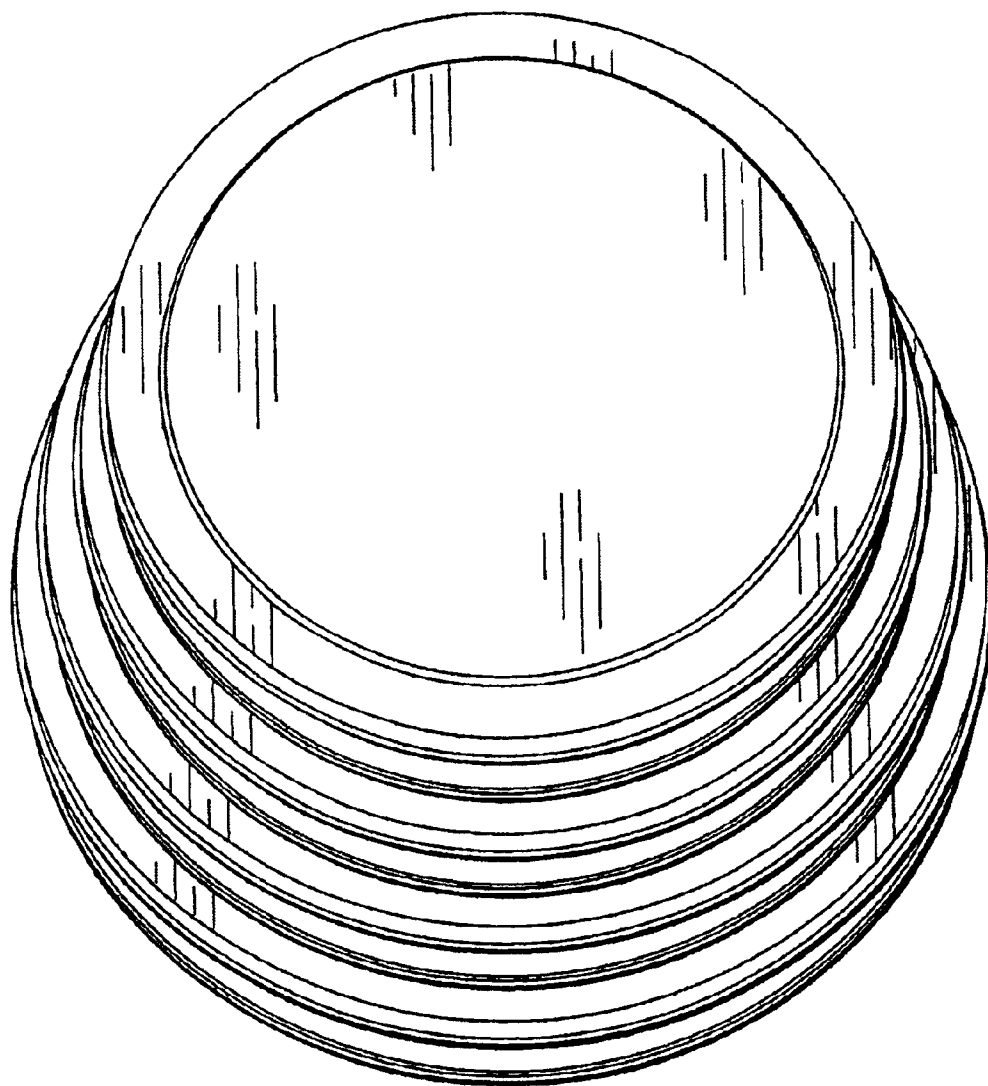
*Fig. 1*



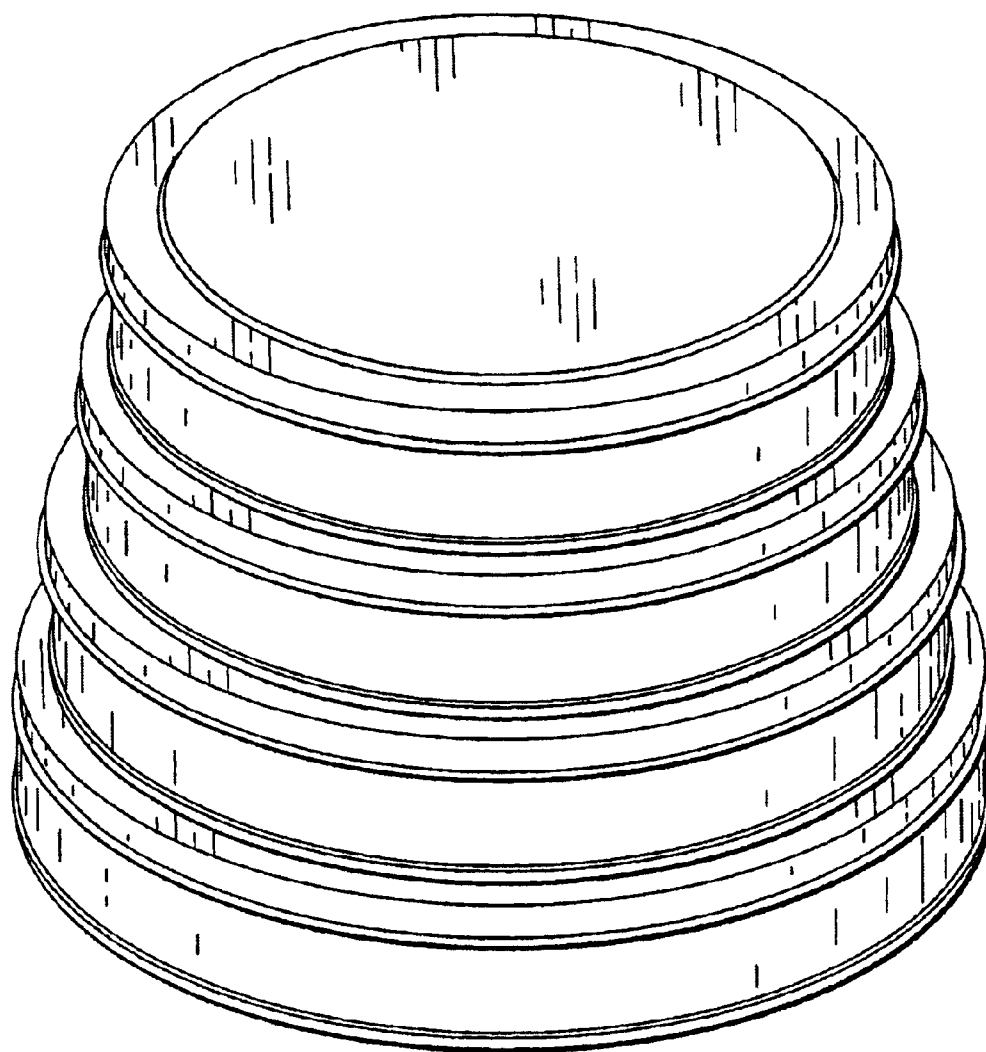
*Fig. 2*



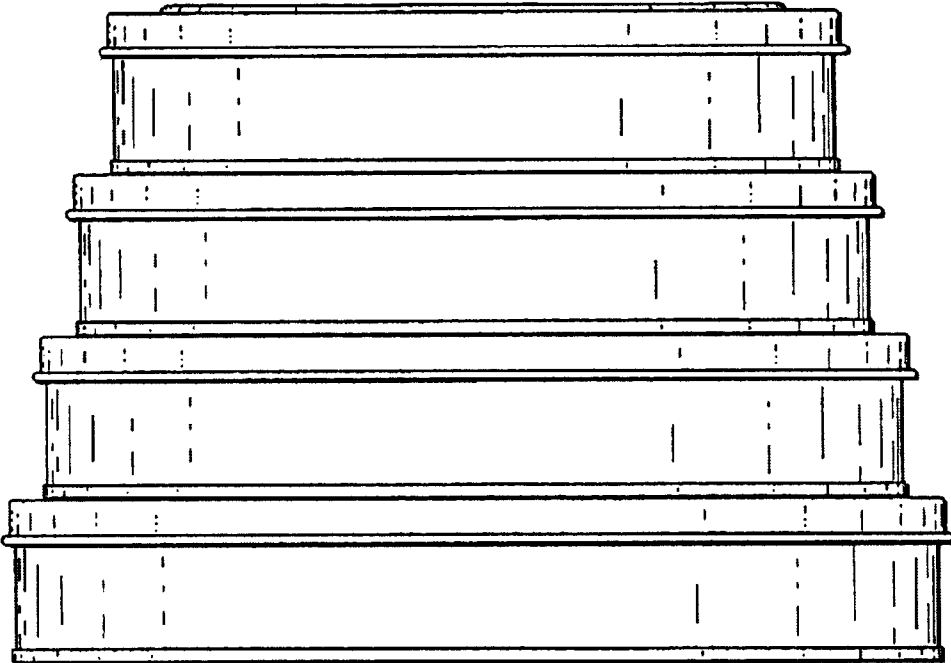
*Fig. 3*



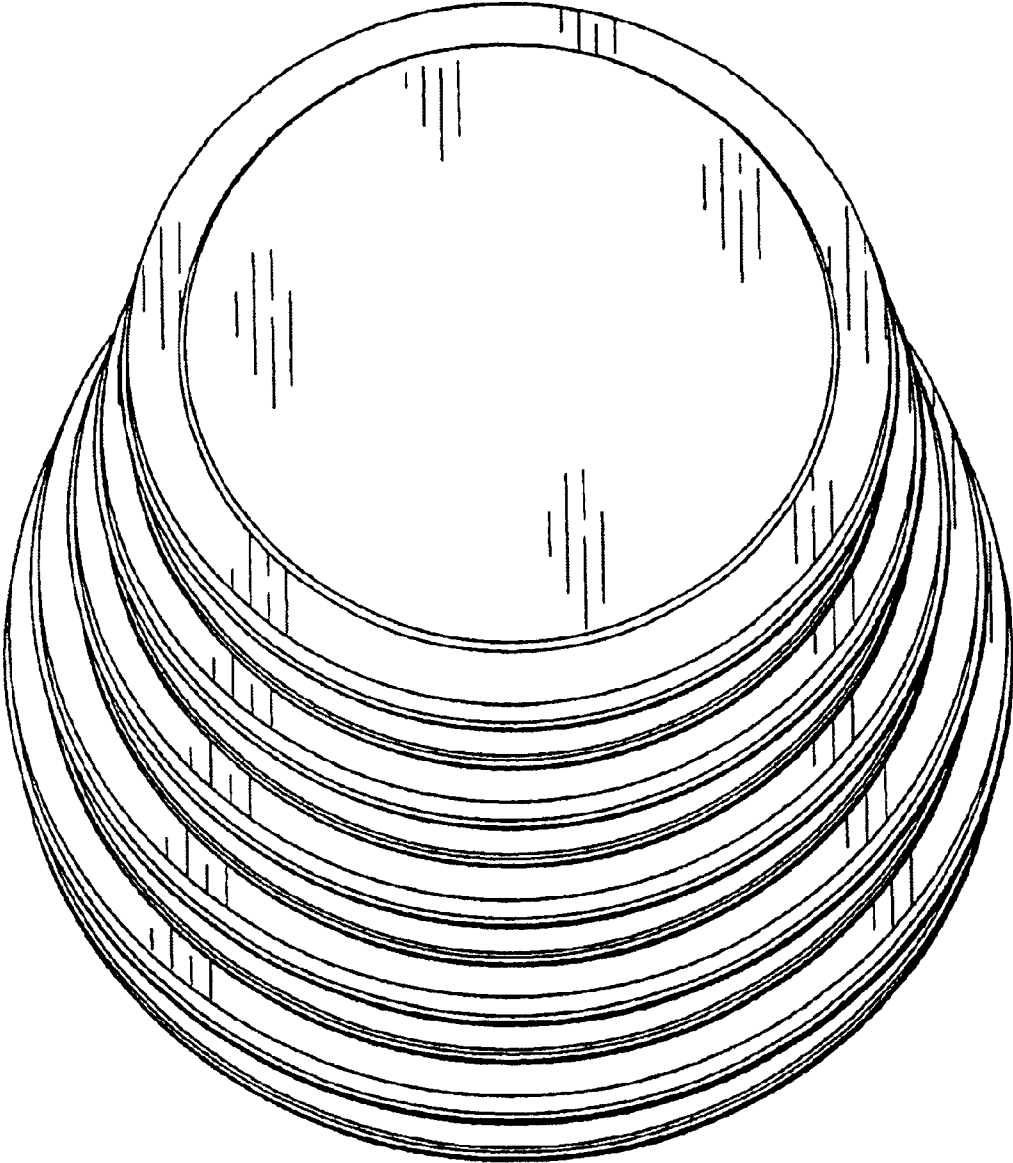
*Fig. 4*



*Fig. 5*

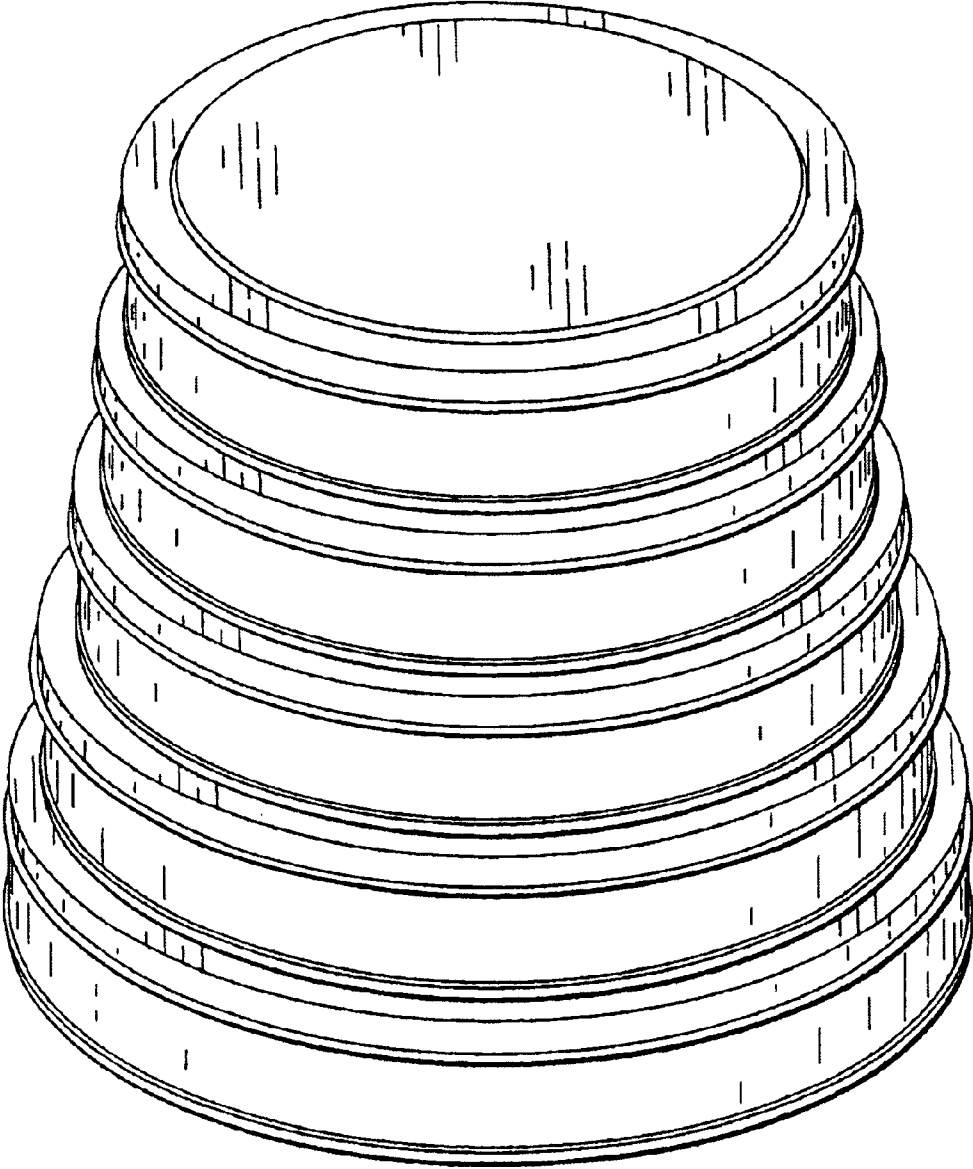


*Fig. 6*

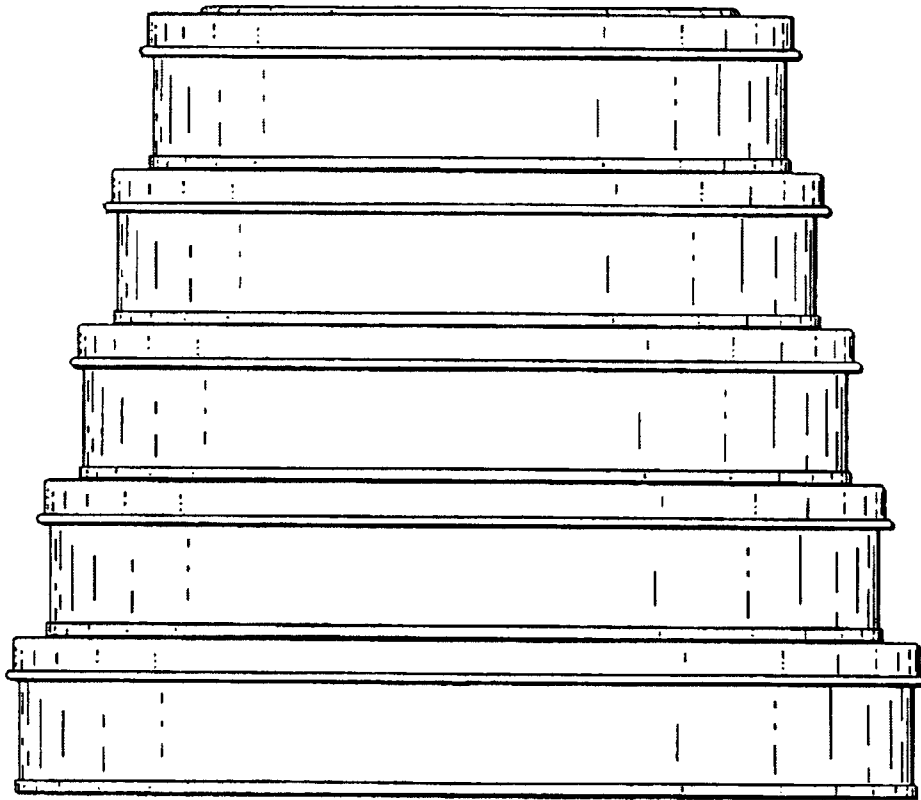


*Fig. 7*

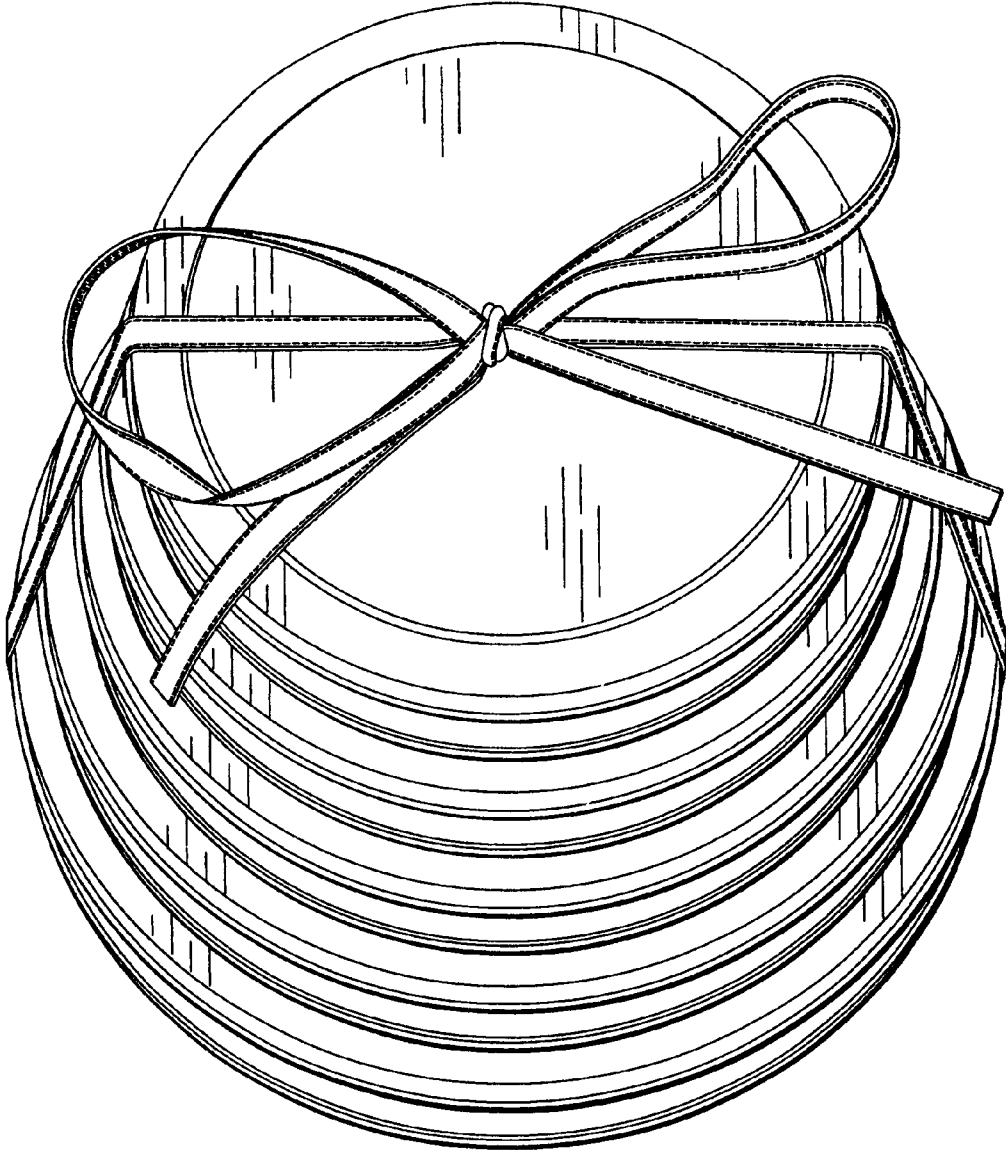




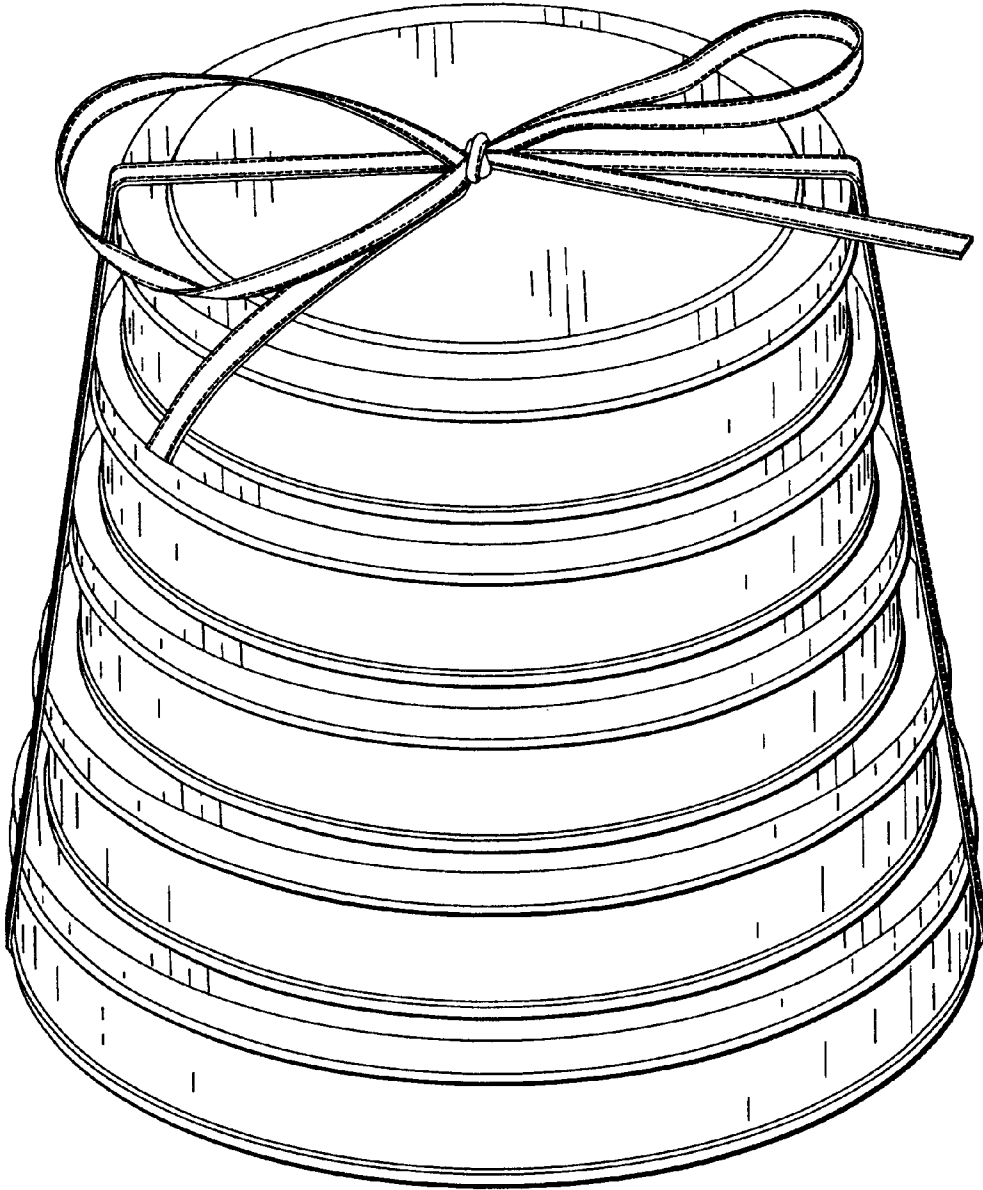
*Fig. 8*



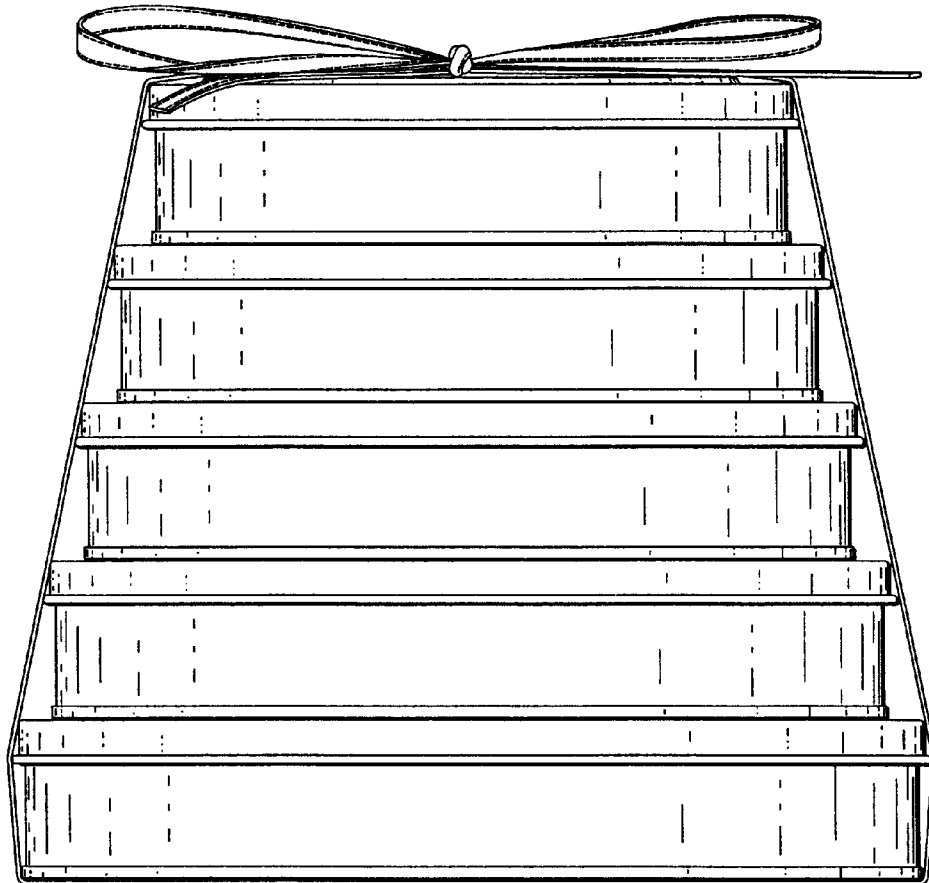
*Fig. 9*



*Fig. 10*



*Fig. 11*



*Fig. 12*