



US0D1004735S

(12) **United States Design Patent**
Albright

(10) **Patent No.:** **US D1,004,735 S**

(45) **Date of Patent:** **** Nov. 14, 2023**

(54) **MOUNT FOR FIREARM**

(71) Applicant: **Scott Ryan Albright**, Pewaukee, WI
(US)

(72) Inventor: **Scott Ryan Albright**, Pewaukee, WI
(US)

(**) Term: **15 Years**

(21) Appl. No.: **29/782,652**

(22) Filed: **May 7, 2021**

(51) **LOC (14) Cl.** **22-01**

(52) **U.S. Cl.**
USPC **D22/108**; D22/199

(58) **Field of Classification Search**
USPC D21/567, 573, 575; D22/103, 105, 108,
D22/109, 110, 199

CPC F41A 35/00; F41C 23/16; F41C 27/22;
F41C 33/007; F41C 27/00; F41G 11/003

See application file for complete search history.

(56) **References Cited**

U.S. PATENT DOCUMENTS

5,606,818	A	3/1997	Hardee	
D510,120	S *	9/2005	Ding	D22/108
D513,056	S *	12/2005	Ding	D22/110
D513,298	S *	12/2005	Ding	D22/110
D513,299	S *	12/2005	Ding	D22/110
D513,633	S *	1/2006	Ding	D22/110
D516,157	S *	2/2006	Ding	D22/108
D544,063	S *	6/2007	Swan	D22/108
D598,971	S *	8/2009	Peterson	D22/108
D637,683	S *	5/2011	Salsman, Sr.	D22/108
D654,134	S *	2/2012	Edge	D22/108
D654,551	S *	2/2012	Williams	D22/108
D674,860	S *	1/2013	Deros	D22/108
D718,833	S *	12/2014	Huang	D22/108
D719,632	S *	12/2014	Lau	D22/108
D725,222	S *	3/2015	Heidkamp	D22/109
D726,864	S *	4/2015	Huang, Sr.	D22/108

D739,491	S *	9/2015	Norberg	D22/108
D739,912	S *	9/2015	Norberg	D22/108
9,222,756	B1 *	12/2015	Battaglia	F41G 11/003
9,488,446	B2 *	11/2016	Zimmer	F41G 1/02
D784,481	S *	4/2017	Ding	D22/110
D787,007	S *	5/2017	Maughn	D22/108
9,772,161	B1 *	9/2017	Cheng	F41G 11/004
D822,143	S *	7/2018	Alldredge	D22/109
D828,481	S *	9/2018	Alldredge	D22/110
D828,482	S *	9/2018	Alldredge	D22/110

(Continued)

OTHER PUBLICATIONS

TPO 45 Degree Rail Mount, Amazon Online Product Page. Earliest Publication Date: Jan. 2, 2023. Date Accessed: Apr. 15, 2023. Retrieved from Internet URL: <https://www.amazon.com/TPO-Degree-Picatiny-Mounting-Flashlight/dp/B0BRK1QQX5/ref=> (Year: 2020)*

(Continued)

Primary Examiner — S. Bryan Reinholdt, Jr.

Assistant Examiner — Kaitlan Walker

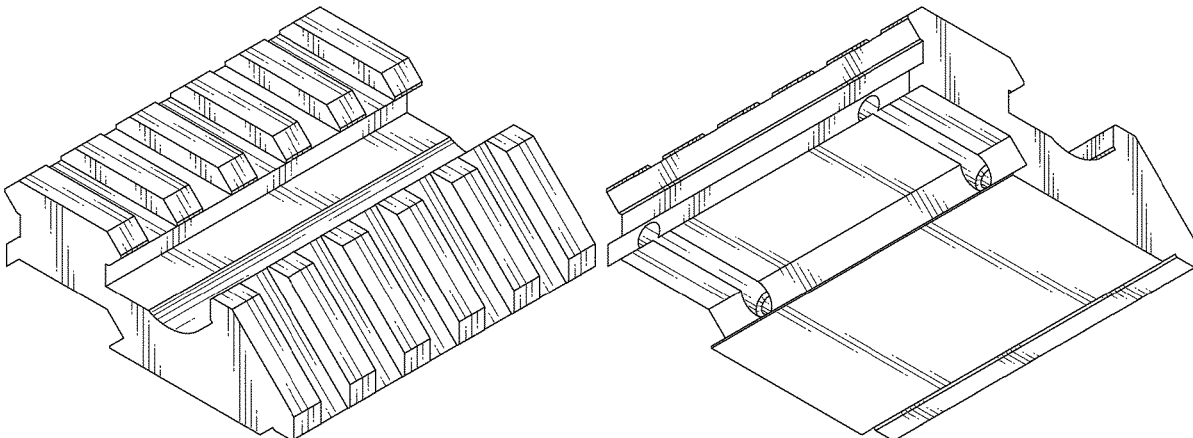
(57) **CLAIM**

The ornamental design for a mount for firearm, as shown and described.

DESCRIPTION

FIG. 1 is a top-front-right perspective view of a mount for firearm;
FIG. 2 is a bottom-front-left perspective view thereof;
FIG. 3 is a front view thereof;
FIG. 4 is a rear view thereof;
FIG. 5 is a right-side elevational view thereof;
FIG. 6 is a left-side view thereof;
FIG. 7 is a top view thereof; and,
FIG. 8 is a bottom view thereof.
The broken lines in FIG. 4 depict portions of the mount for firearm that form no part of the claimed design.

1 Claim, 8 Drawing Sheets



(56)

References Cited

U.S. PATENT DOCUMENTS

D837,330 S * 1/2019 Ding D22/108
 D865,902 S * 11/2019 Storch D22/109
 D897,482 S * 9/2020 Podgurny D22/109
 11,060,815 B1 * 7/2021 Novak F41C 27/00
 2005/0252060 A1 * 11/2005 Gonzalez F41G 11/003
 42/90
 2006/0288626 A1 * 12/2006 Kim F41G 11/003
 42/73
 2008/0190002 A1 * 8/2008 Hines F41C 27/00
 42/1.06
 2008/0216380 A1 * 9/2008 Teetzel F41G 11/003
 42/127
 2009/0101776 A1 * 4/2009 Peterson F41G 11/001
 29/525.01
 2010/0192448 A1 * 8/2010 Darian F41G 11/003
 42/84
 2011/0131858 A1 * 6/2011 Darian F41G 11/003
 42/90
 2011/0197491 A1 * 8/2011 McCann F41G 11/003
 42/144
 2012/0030986 A1 * 2/2012 Swan F41C 33/007
 42/90
 2012/0311910 A1 * 12/2012 Mironichev F41C 27/00
 29/401.1
 2013/0000176 A1 * 1/2013 Goertzen F41G 11/003
 42/90
 2013/0118051 A1 * 5/2013 Baker F41G 11/003
 42/90
 2014/0068991 A1 * 3/2014 Jung F41G 11/003
 42/90
 2014/0215887 A1 * 8/2014 Luckey F41G 11/003
 42/90

2015/0040456 A1 * 2/2015 Zimmer F41G 1/02
 42/90
 2015/0107147 A1 * 4/2015 Hurley F41G 11/003
 42/111
 2017/0254615 A1 * 9/2017 Kennair, Jr. F41G 11/003
 2017/0343315 A1 * 11/2017 Beaty F41C 23/16
 2018/0023924 A1 * 1/2018 Storch F41C 27/00
 42/90
 2018/0283826 A1 * 10/2018 Alldredge F41G 11/003
 2021/0223003 A1 * 7/2021 Morrison F41G 11/003
 2021/0372739 A1 * 12/2021 Nielsen F41G 11/003
 2022/0357126 A1 * 11/2022 Hjertberg F41C 27/00
 2022/0412696 A1 * 12/2022 Teetzel F41G 11/003
 2023/0096361 A1 * 3/2023 Itshaky F41G 11/003
 42/90

OTHER PUBLICATIONS

Picatinny Offset Rail Mount, Amazon Online Product Page. Earliest Publication Date: May 17, 2021. Date Accessed: Apr. 15, 2023. Retrieved from Internet URL :<https://www.amazon.com/ZONEBIKE-Picatinny-Aluminum-Profile-Flashlight/dp/B095445WTG/ref=> (Year: 2021)*.
 D&L Dual Optic Mount, http://www.dlsports.com/dl_dual_optic_mount.html.
 Combined use of a riflescope and a red dot sight, <https://www.airgunnation.com/topic/discovery-optics-one-of-these-things-is-not-like-the-other/>.
 Sig Sauer Romeo 5 & Juliet 3 Red Dot and Magnifier Combo, <https://grabagun.com/sig-sauer-romeo5-with-juliet3-3x-combo.html>.
 A rifle with 5 scopes, <https://www.pcgamer.com/a-rifle-with-5-scopes-and-other-dumb-guns-you-can-make-in-escape-from-tarkov/>.

* cited by examiner

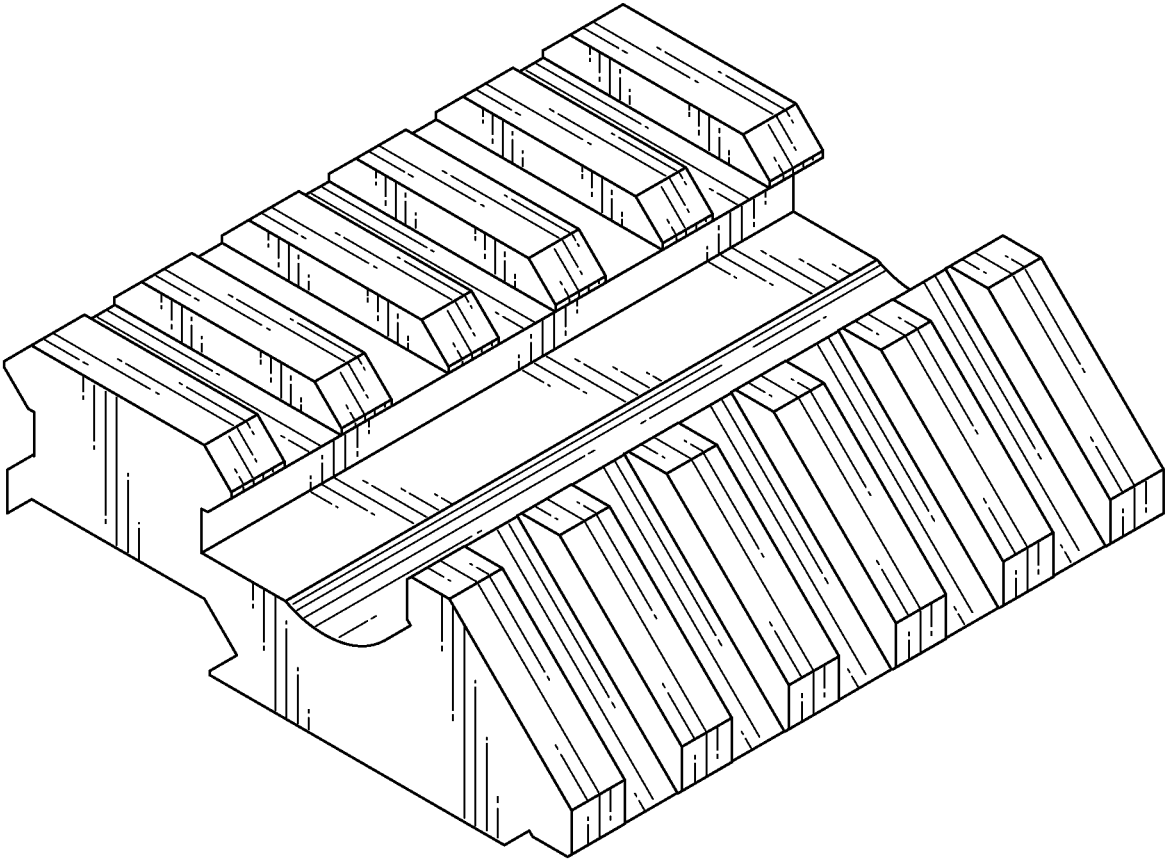


FIG. 1

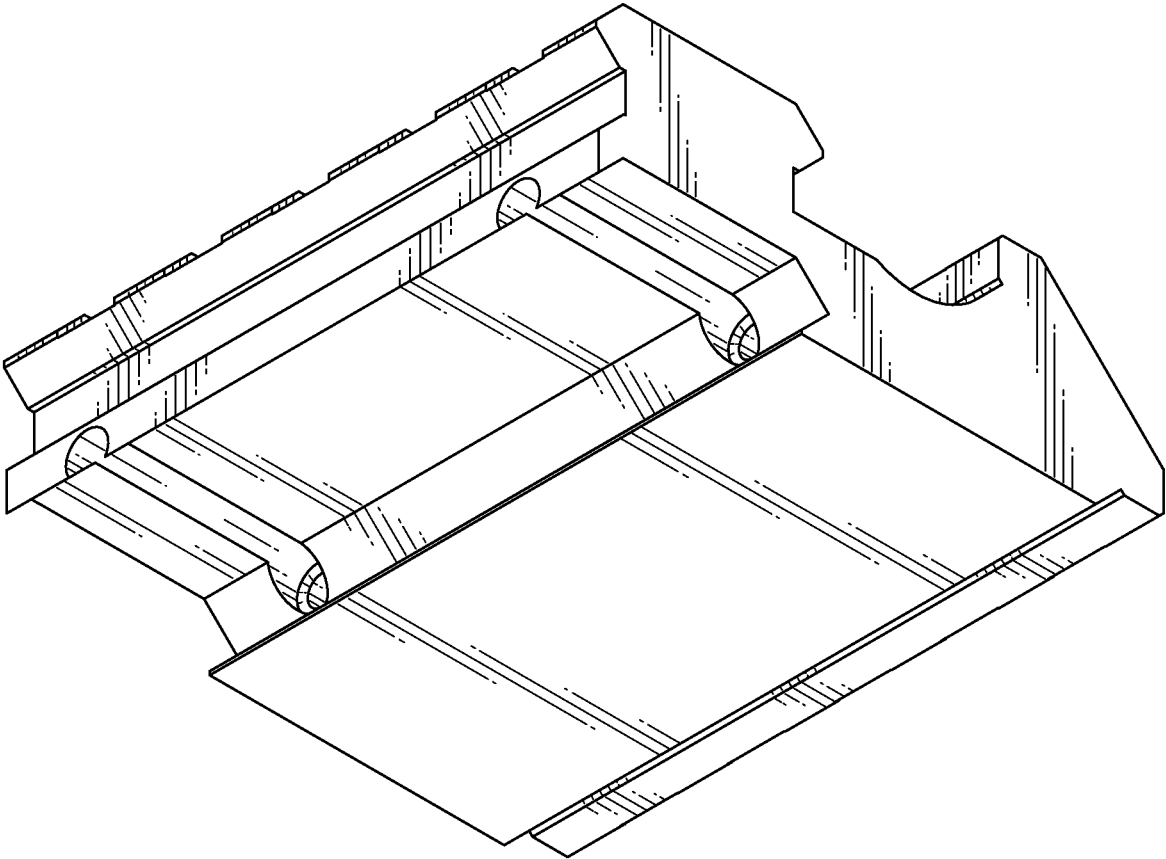


FIG. 2

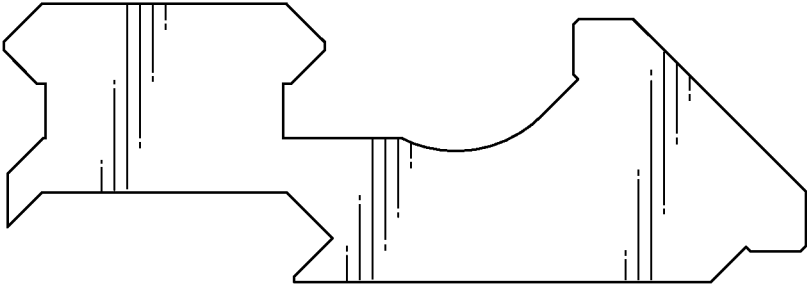


FIG. 3

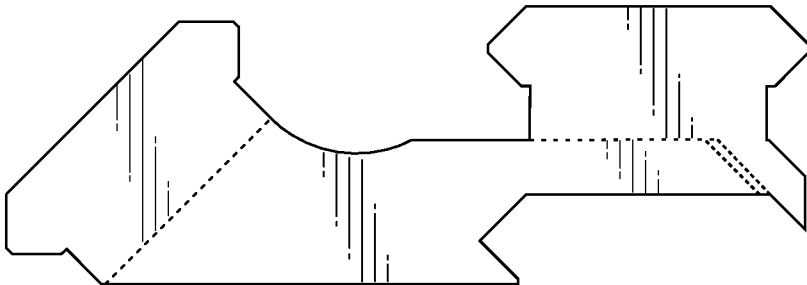


FIG. 4

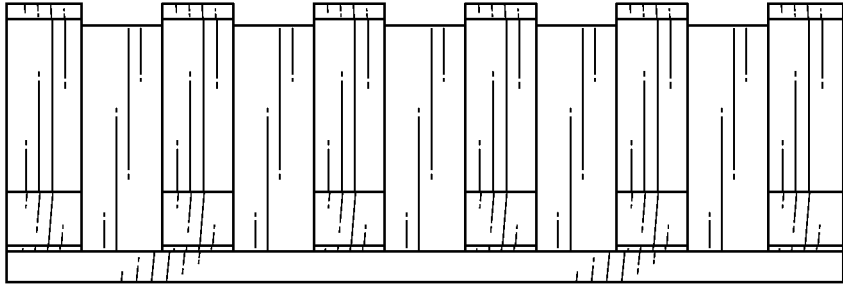


FIG. 5

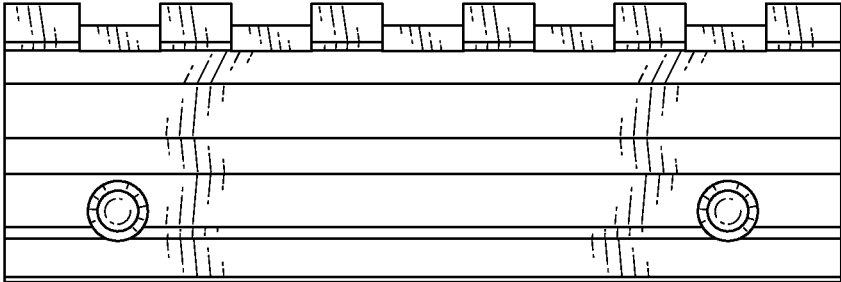


FIG. 6

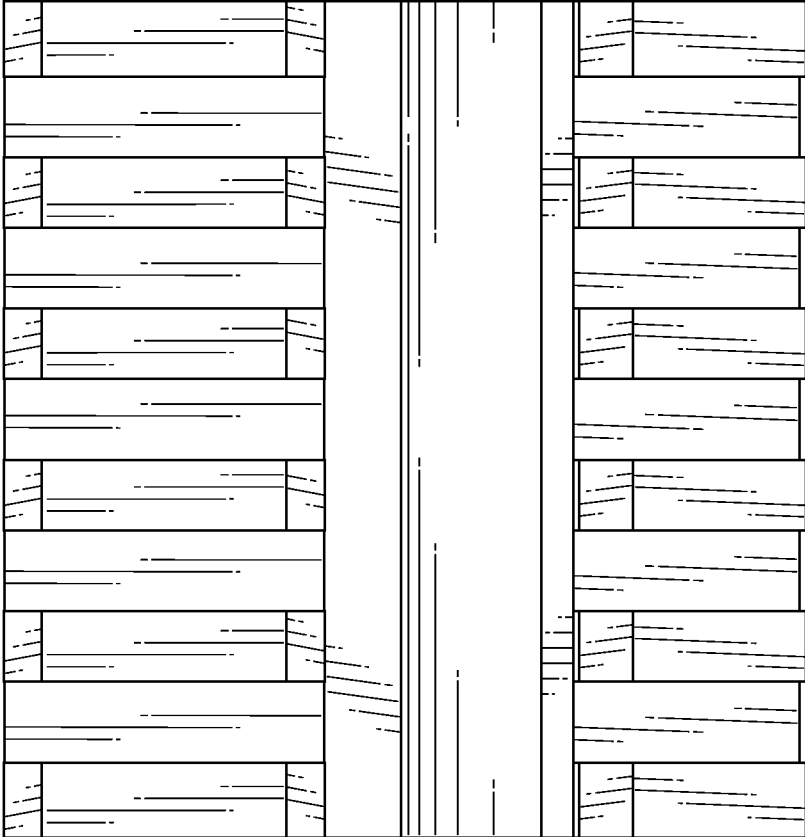


FIG. 7

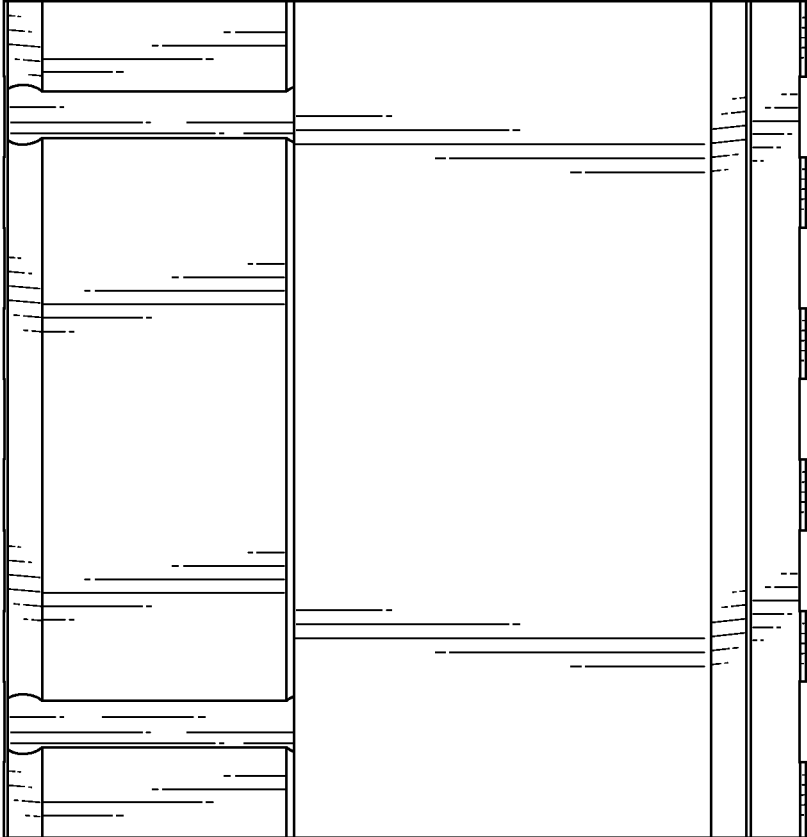


FIG. 8