



US00D485730S

(12) **United States Design Patent**  
**Thun**

(10) **Patent No.:** **US D485,730 S**

(45) **Date of Patent:** **\*\* Jan. 27, 2004**

(54) **COFFEE CUP WITH LID**

(75) **Inventor:** **Matteo Thun, Milan (IT)**

(73) **Assignee:** **Illycaffè SpA, Trieste (IT)**

(\*\*) **Term:** **14 Years**

(21) **Appl. No.:** **29/168,828**

(22) **Filed:** **Oct. 10, 2002**

(30) **Foreign Application Priority Data**

Apr. 10, 2002 (IT) ..... MI2002O0254

(51) **LOC (7) Cl.** ..... **07-01**

(52) **U.S. Cl.** ..... **D7/511; D7/536**

(58) **Field of Search** ..... **D7/536, 523, 533,**  
**D7/509, 622, 510, 511; 248/346.1; 220/719,**  
**710.5, 729, 675; 215/396, 302, 398, 10;**  
**264/250; 229/402**

(56) **References Cited**

**U.S. PATENT DOCUMENTS**

D166,014 S	*	2/1952	Wright	.....	D7/536
D176,022 S	*	11/1955	King	.....	D9/506
2,770,956 A	*	9/1956	Achtziger	.....	215/10
2,834,533 A	*	5/1958	Carew	.....	229/402
2,858,041 A	*	10/1958	Robinson	.....	220/719
D184,518 S	*	3/1959	Folley	.....	D7/536
D184,566 S	*	3/1959	Holzworth et al.	.....	D7/622
3,057,016 A	*	10/1962	Schilling	.....	264/250
D204,780 S	*	5/1966	Schilling	.....	D7/536
D219,048 S	*	10/1970	Gulotta	.....	D7/536
D220,712 S	*	5/1971	Refsgaard	.....	D7/536
D224,623 S	*	8/1972	Ketcham et al.	.....	D7/536
D238,647 S	*	2/1976	Gulotta	.....	D7/536
D247,277 S	*	2/1978	Andersen	.....	D7/536

D290,324 S	*	6/1987	Ritman	.....	D7/536
D313,921 S	*	1/1991	Unger	.....	D7/509
D316,009 S	*	4/1991	Scherer	.....	D7/536
D320,139 S	*	9/1991	Wonder	.....	D7/536
D320,718 S	*	10/1991	Unger	.....	D7/536
D325,148 S	*	4/1992	Unger	.....	D7/536
D386,046 S	*	11/1997	Bruckner	.....	D7/507
D406,012 S	*	2/1999	Indekeu	.....	D7/536
D420,551 S	*	2/2000	Cornelissen	.....	D7/536
D444,674 S	*	7/2001	Allen	.....	D7/514
D445,646 S	*	7/2001	Indekeu	.....	D7/536
D459,948 S	*	7/2002	Cote et al.	.....	D7/536
D464,234 S	*	10/2002	Miller	.....	D7/536
D470,015 S	*	2/2003	Kortleven et al.	.....	D7/536

\* cited by examiner

*Primary Examiner*—M. N. Pandozzi

(74) *Attorney, Agent, or Firm*—Young & Thompson

(57) **CLAIM**

The ornamental design for a coffee cup with lid, as shown.

**DESCRIPTION**

FIG. 1 is a top and side perspective view of a coffee cup with lid, showing my new design;

FIG. 2 is a side elevational view thereof from the right of FIG. 1;

FIG. 3 is a side elevational view thereof rotated 90° counterclockwise as seen from above FIG. 2;

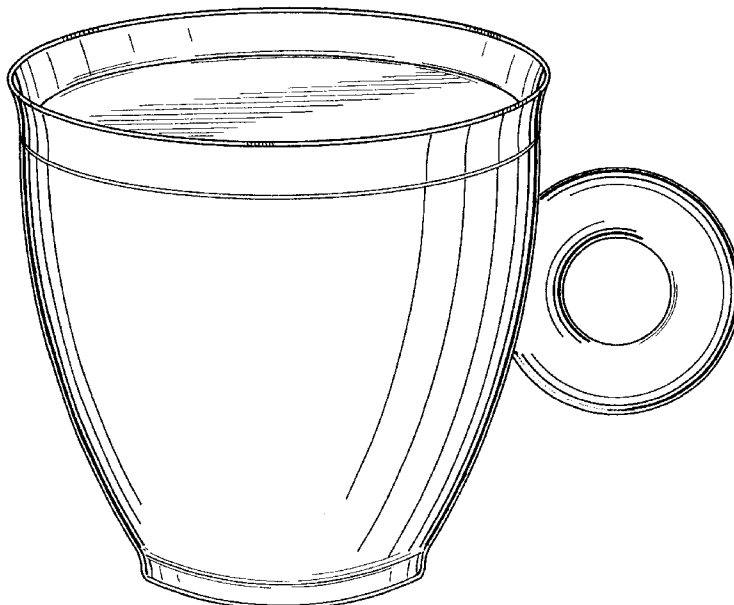
FIG. 4 is a side elevational view thereof showing the side opposite that shown in FIG. 2;

FIG. 5 is a side elevational view thereof showing the side opposite that shown in FIG. 3;

FIG. 6 is a top plan view thereof; and,

FIG. 7 is a bottom plan view thereof.

**1 Claim, 4 Drawing Sheets**



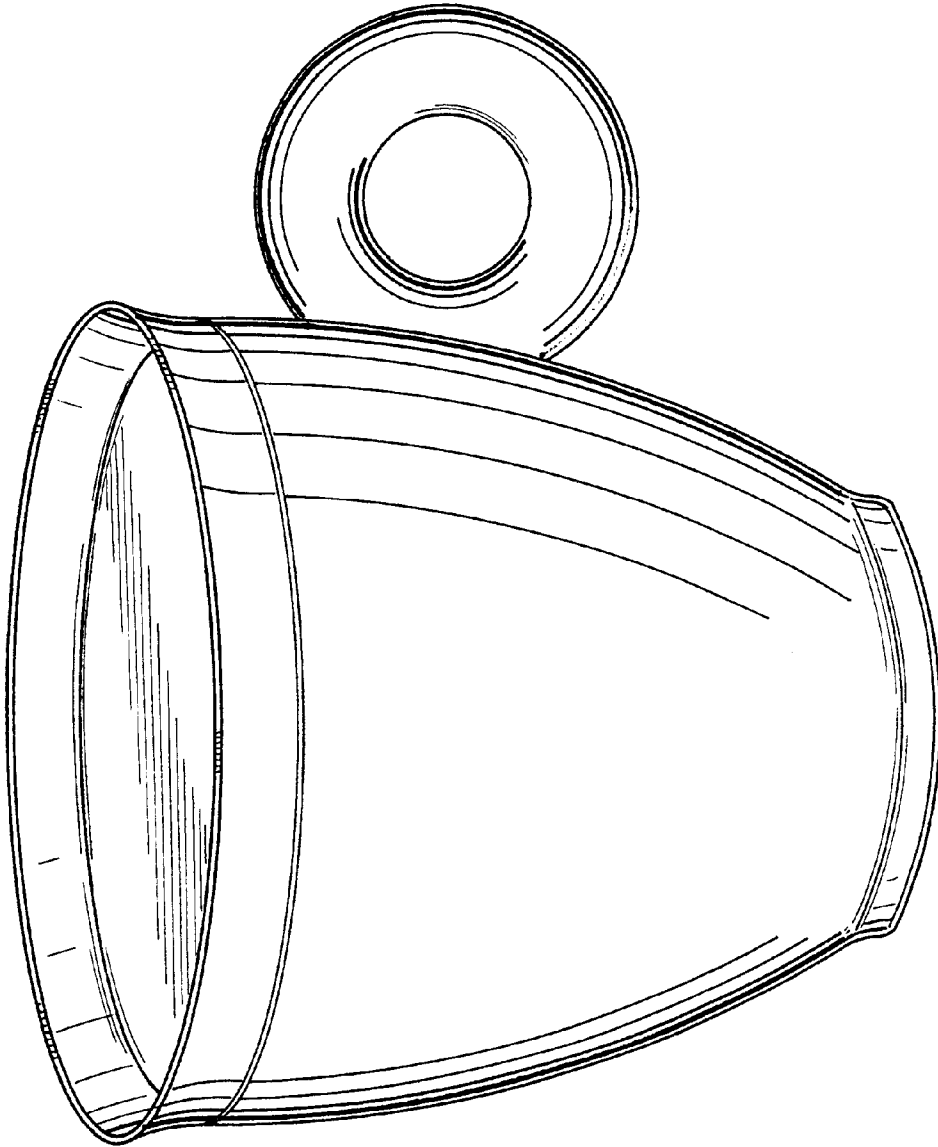


FIG. 1

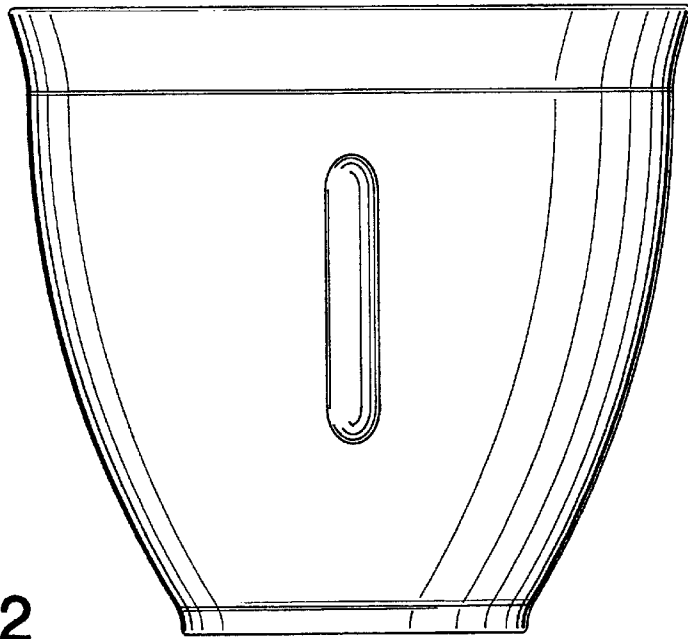


FIG. 2

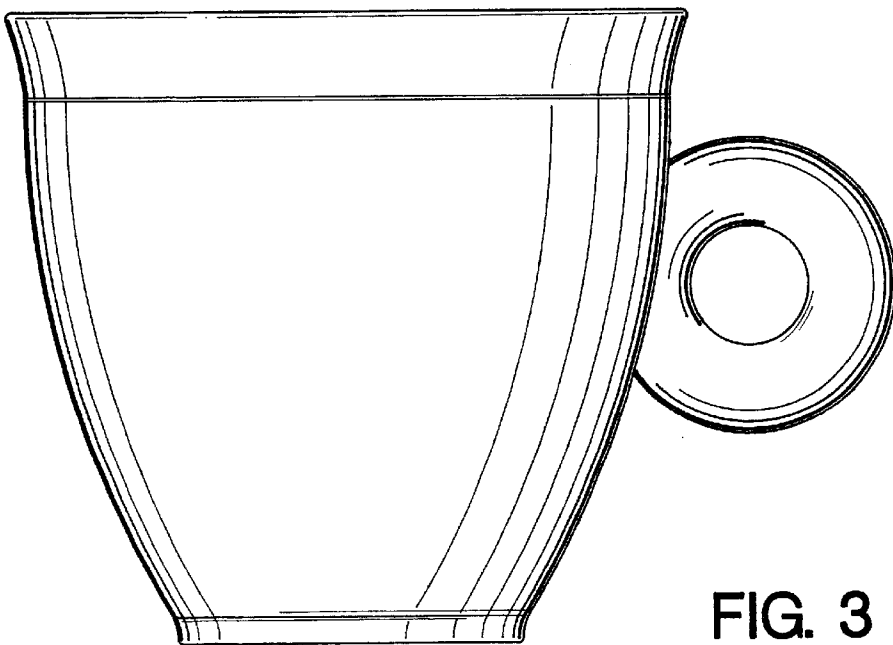


FIG. 3

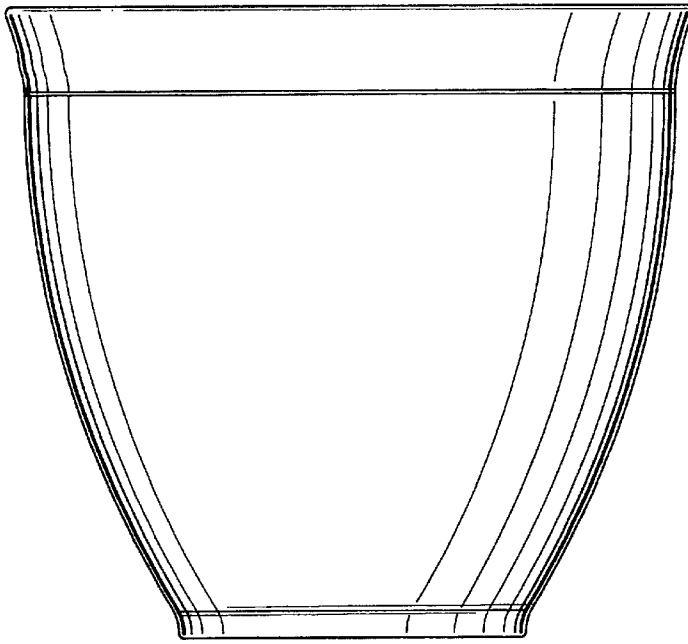


FIG. 4

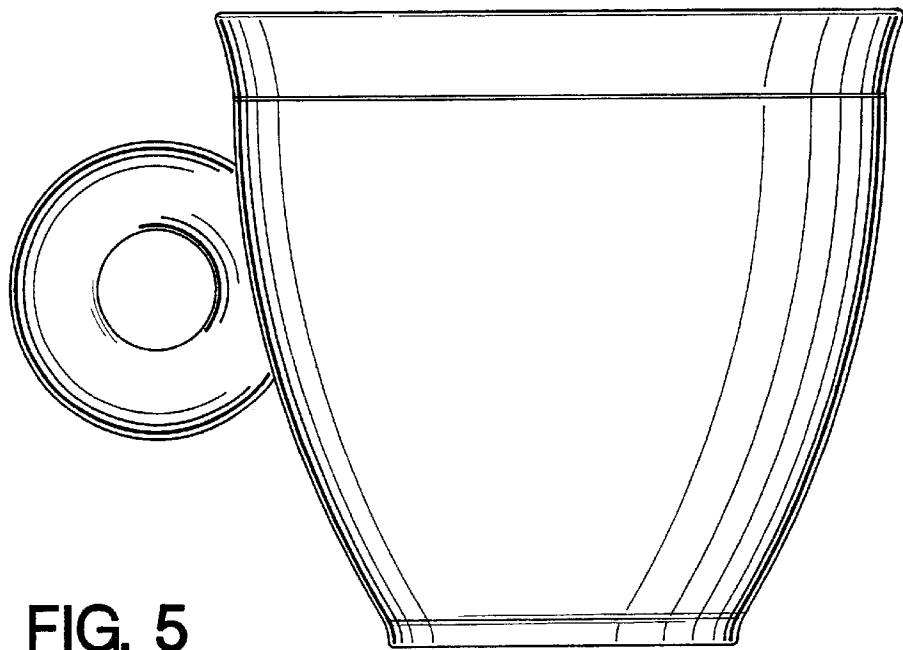


FIG. 5

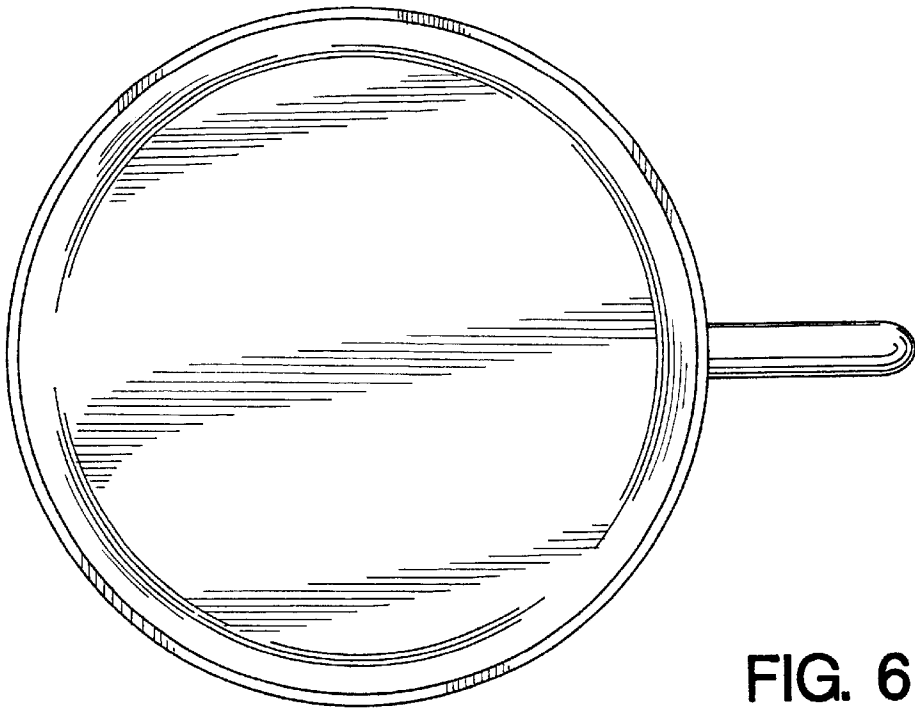


FIG. 6

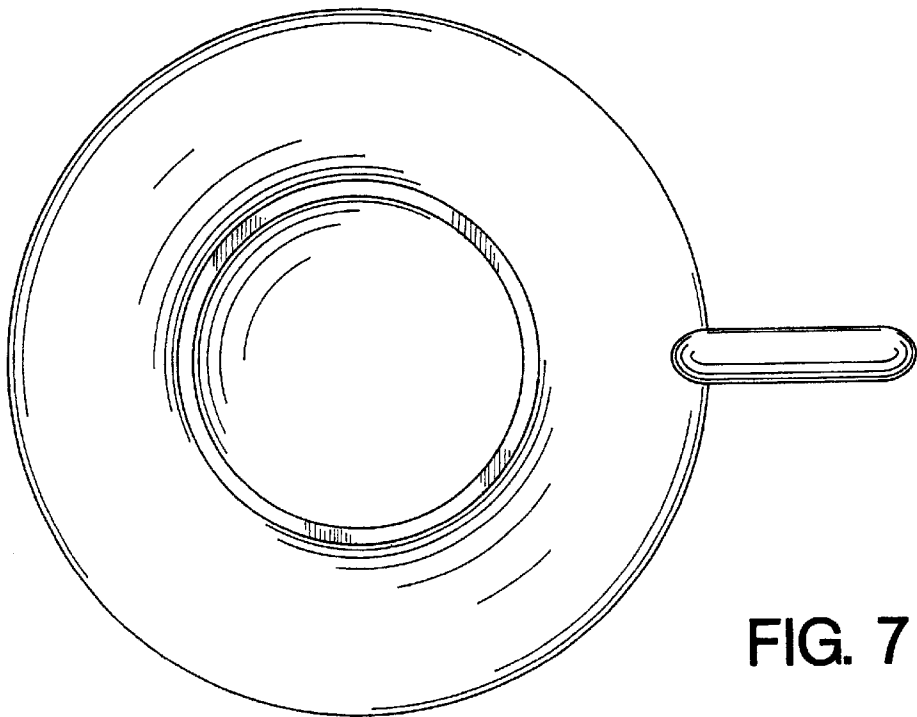


FIG. 7