



- (51) **International Patent Classification:**
G06Q 10/08 (2012.01)
- (21) **International Application Number:**
PCT/US2018/043990
- (22) **International Filing Date:**
26 July 2018 (26.07.2018)
- (25) **Filing Language:** English
- (26) **Publication Language:** English
- (30) **Priority Data:**
62/538,538 28 July 2017 (28.07.2017) US
- (71) **Applicant: NURO, INC.** [US/US]; 1300 Terra Bella Avenue #100, Mountain View, California 94043 (US).
- (72) **Inventors: FERGUSON, David;** 1300 Terra Bella Avenue #100, Mountain View, California 94043 (US). **ZHU, Jia-jun;** 1300 Terra Bella Avenue #100, Mountain View, California 94043 (US). **JIRAPINYO, Pichayut;** 1300 Terra Bella Avenue #100, Mountain View, California 94043 (US). **RANSOHOFF, Nan;** 1300 Terra Bella Avenue #100, Mountain View, California 94043 (US).

- (74) **Agent: KANG, Peter;** Wilson Sonsini Goodrich & Rosati, 650 Page Mill Road, Palo Alto, California 94304-1050 (US).
- (81) **Designated States** (unless otherwise indicated, for every kind of national protection available): AE, AG, AL, AM, AO, AT, AU, AZ, BA, BB, BG, BH, BN, BR, BW, BY, BZ, CA, CH, CL, CN, CO, CR, CU, CZ, DE, DJ, DK, DM, DO, DZ, EC, EE, EG, ES, FI, GB, GD, GE, GH, GM, GT, HN, HR, HU, ID, IL, IN, IR, IS, JO, JP, KE, KG, KH, KN, KP, KR, KW, KZ, LA, LC, LK, LR, LS, LU, LY, MA, MD, ME, MG, MK, MN, MW, MX, MY, MZ, NA, NG, NI, NO, NZ, OM, PA, PE, PG, PH, PL, PT, QA, RO, RS, RU, RW, SA, SC, SD, SE, SG, SK, SL, SM, ST, SV, SY, TH, TJ, TM, TN, TR, TT, TZ, UA, UG, US, UZ, VC, VN, ZA, ZM, ZW.
- (84) **Designated States** (unless otherwise indicated, for every kind of regional protection available): ARIPO (BW, GH, GM, KE, LR, LS, MW, MZ, NA, RW, SD, SL, ST, SZ, TZ, UG, ZM, ZW), Eurasian (AM, AZ, BY, KG, KZ, RU, TJ, TM), European (AL, AT, BE, BG, CH, CY, CZ, DE, DK, EE, ES, FI, FR, GB, GR, HR, HU, IE, IS, IT, LT, LU, LV, MC, MK, MT, NL, NO, PL, PT, RO, RS, SE, SI, SK, SM, TR), OAPI (BF, BJ, CF, CG, CI, CM, GA, GN, GQ, GW, KM, ML, MR, NE, SN, TD, TG).

(54) **Title:** SYSTEM AND MECHANISM FOR UPSELLING PRODUCTS ON AUTONOMOUS VEHICLES

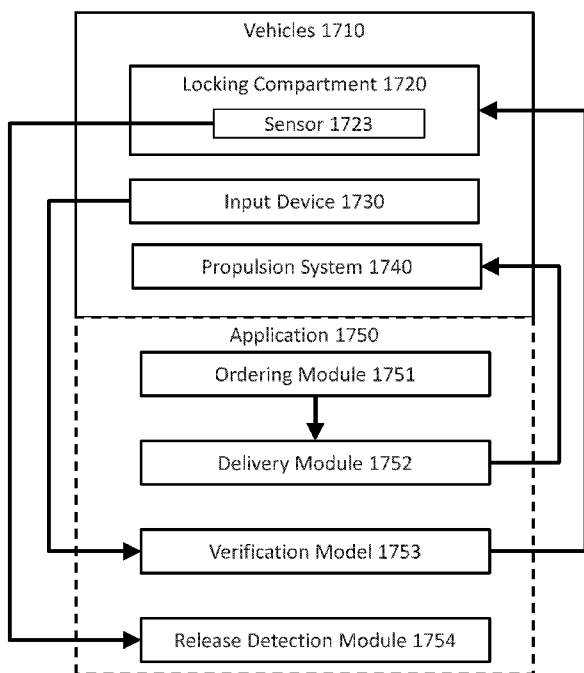


FIG. 17

(57) **Abstract:** Provided herein is an autonomous or semi-autonomous vehicle fleet comprising a plurality of autonomous or semi-autonomous vehicles for containing, securing, and delivering at least one of a first item and at least one of a second item after a customer places an order for a first item, operating autonomously or semi-autonomously, and a fleet management module for coordination of the autonomous or semi-autonomous vehicle fleet.

WO 2019/023522 A1

Published:

— *with international search report (Art. 21(3))*

SYSTEM AND MECHANISM FOR UPSELLING PRODUCTS ON AUTONOMOUS VEHICLES

CROSS REFERENCE

[0001] This application claims priority to U.S. Provisional Application No. 62/538,538, filed on July 28, 2017, the contents of which are incorporated herein by reference in its entirety.

BACKGROUND OF THE INVENTION

[0002] The field of autonomous and semi-autonomous vehicles is a growing field of innovation. Vehicles are being used for many purposes including warehouse inventory operations, household operations, hospital deliveries, sanitation, and military or defense applications.

SUMMARY OF THE INVENTION

[0003] This disclosure relates to an autonomous and/or semi-autonomous vehicle fleet comprising a plurality of vehicles, in particular vehicles for transporting or retrieving deliveries in either unstructured outdoor environment or closed environments.

[0004] One aspect provided herein is a platform for autonomously or semi-autonomously delivering a second item to a customer, the platform comprising: an autonomous or semi-autonomous vehicle comprising: a locking compartment configured to contain and secure at least one of a first item and at least one of a second item, wherein the locking compartment comprises a sensor configured to detect an absence of at least one of the first item and the second item; an input device configured to receive at least one of a customer verification and a selection of the second item by the customer; and an autonomous or semi-autonomous propulsion; and the platform further comprising a non-transitory computer-readable storage media encoded with a computer program including instructions executable by a processor to create an application comprising: an ordering module configured to receive an order from the customer, the order comprising the first item and a customer location; a delivery module controlling the autonomous or semi-autonomous propulsion system to direct the autonomous or semi-autonomous vehicle to the customer location; and a customer verification module confirming an identity of the customer based on the customer verification and unlocking the locking compartment based on the confirmation of the identity of the customer; and a release detection module determining that first item has been removed from the compartment based

on the absence of the first item, determining that second item has been removed from the compartment based on the absence of the second item, or both.

[0005] In some embodiments, the sensor comprises at least one of a thermometer, a barcode scanner, an RFID reader, a scale, a pressure sensor, a switch, and a camera. In some embodiments, the input device comprises Wi-Fi input device, a Bluetooth input device, a cellular input device, a button, a touchscreen, a camera, a USB input, a keyboard, or any combination thereof. In some embodiments, the application further comprises a database module. In some embodiments, the database comprises a customer data associated with the customer, and wherein the application further comprises a prediction module configured to determine the second item based at least on the first item and the customer data. In some embodiments, the prediction module determines the second item by a machine learning algorithm. In some embodiments, the prediction module is further configured to send a loading instruction to a loading administrator based on the determination of the second item. In some embodiments, the database module comprises a plurality of unique identifiers comprising at least a first identification and a second identification, wherein the first identification is associated with the first item, and wherein the second identification is associated with the second item. In some embodiments, the first item comprises a first indicator associated with the first identification, the second item comprises a second indicator associated with the second identification, or both. In some embodiments, the release detection module detects that first item has been removed by detecting the first indicator and release detection module detects that second item has been removed by detecting the second indicator. In some embodiments, the locking compartment is configured to contain and secure 2 or more first items, 2 or more second items, or both. In some embodiments, the locking compartment further comprises a vending mechanism configured to vend at least one of the first item and the second item. In some embodiments the platform further comprises a communication device configured to receive an instruction from a fleet management module. In some embodiments, the instruction comprises at least one of the customer location, and the customer verification. In some embodiments the platform further comprises at least one of an energy storage device, and an energy collection device. In some embodiments the platform further comprises a screen configured to display a media. In some embodiments, the media comprises a media based on the first item, a media associated with the second item, a price associated with the first item, a price associated with the second item, the selection, the order, the absence of the first item, the absence of the second item, the customer location, the customer verification, or any combination thereof. In some embodiments, the application

further comprises a payment module configured to charge the customer based on the first item being removed from the compartment, that second item being removed from the compartment, or both. In some embodiments, at least a portion of the application is performed aboard the vehicle. In some embodiments, the processor resides aboard the vehicle. In some embodiments, the first item comprises a plurality of first items, the second item comprises a plurality of second items, or both.

[0006] Another aspect provided herein is an autonomous or semi-autonomous vehicle for delivering a second item to a customer, the autonomous or semi-autonomous vehicle comprising: a first compartment configured to contain, secure, and vend a first item; a second compartment configured to contain, secure, and vend the second item, wherein the second compartment comprises a sensor configured to detect a presence of the second item; an input device configured to receive a selection of the second item by a customer; an autonomous or semi-autonomous propulsion system; and a non-transitory computer-readable storage media encoded with a computer program including instructions executable by a processor to create an application comprising: an ordering module configured to receive an order for the first item from a customer; a prediction module configured to determine the second item based at least on the first item and a customer data associated with the customer, wherein the prediction module is further configured to send a loading instruction based on the second item; a delivery module controlling the autonomous or semi-autonomous propulsion system to direct the autonomous or semi-autonomous vehicle to a location of the customer; a first vending module directing the first compartment to vend the first item; a second vending module directing the second compartment to vend the second item based on the selection; and a confirmation module determining that the second item has been vended based at least on the detection of the presence of the second item.

[0007] In some embodiments the input device comprises a button, a touchscreen, a Bluetooth sensor, a wireless network device, a cellular network device, a camera, a USB input, a keyboard, or any combination thereof. In some embodiments the first compartment is configured to contain, secure, and vend 2 or more first items. In some embodiments the second compartment is configured to contain, secure, and vend 2 or more second items. In some embodiments at least the first item and the second item is associated with a unique identifier. In some embodiments, the sensor is configured to detect the presence of the second item based on the unique identifier. In some embodiments the sensor comprises at least one of a thermometer, a barcode scanner, an RFID reader, a scale, a pressure sensor, a switch, and a camera. In some embodiments vending the first item comprises unlocking a door of the first

compartment, opening a door of the first compartment, releasing the first item from the first compartment, or any combination thereof. In some embodiments vending the second item comprises unlocking a door of the second compartment, opening a door of the second compartment, releasing the second item from the second compartment, or any combination thereof. In some embodiments, the autonomous or semi-autonomous vehicle further comprises a communication device configured to receive an instruction from a fleet management module. In some embodiments the instruction comprises at least one of the first item, the second item, the location of the customer, and an identity of the customer. In some embodiments, the autonomous or semi-autonomous vehicle further comprises at least one of an energy storage device, and an energy collection device. In some embodiments, the autonomous or semi-autonomous vehicle further comprises a screen configured to display a media. In some embodiments the media comprises a media associated with the first item, a media associated with the second item, a price associated with the first item, a price associated with the second item, the selection, the order, the presence of the second item, the location of the customer, an identity of the customer, or any combination thereof. In some embodiments the prediction module is configured to determine the second item based at least on the first item and the customer data associated with the customer by a machine learning algorithm. In some embodiments the application further comprises a payment module configured to charge the customer based on the vending of the first item, the presence of the second item, or both. In some embodiments the first compartment comprises a sensor configured to detect a presence of the first item.

[0008] Another aspect provided herein is a vehicle fleet comprising a plurality of autonomous or semi-autonomous vehicles operating autonomously and/or semi-autonomously and a fleet management module, associated with a central server for coordination of the autonomous or semi-autonomous vehicle fleet; the fleet management module configured to coordinate the activity and positioning of each autonomous or semi-autonomous vehicle in the fleet, wherein the fleet is configured for transporting, delivering or retrieving goods or services and capable of operating in an unstructured open or closed environments; each autonomous or semi-autonomous vehicle in the fleet comprising: a power system, a conveyance system; (e.g., a drive system with a propulsion engine, wheels, treads, wings, rotors, blowers, rockets, propellers, brakes, etc.); a navigation module for navigation in the unstructured open or closed environments; (e.g., digital maps, HD maps, GPS); a communication module configurable to receive, store and send data to the fleet management module, a user, and the autonomous or semi-autonomous vehicles in the fleet, related to at

least; user interactions and the autonomous or semi-autonomous vehicle fleet interactions, comprising: scheduled requests or orders, on-demand requests or orders, or a need for self-positioning of the autonomous or semi-autonomous vehicle fleet based on anticipated demand within the unstructured open or closed environments; a sensor system, at least one securable compartment or a plurality of securable compartments to hold said goods or items associated with said services; and a controller configurable to associate each one of the at least one or plurality of securable compartments to an assignable customer, or customer group in a marketplace, or provider and provide entry when authorized; at least one processor configured to manage the conveyance system, the navigation module, the sensor system, instructions from the fleet management module, the communication module, and the controller.

[0009] In some embodiments, the unstructured open environment is a non-confined geographic region accessible by navigable pathways comprising: public roads; private roads; bike paths; open fields; open public lands; open private lands; pedestrian walkways; lakes; rivers; streams; or open airspace.

[0010] In some embodiments, the closed environment is a confined, enclosed or semi-enclosed structure accessible by navigable pathways comprising: open areas or rooms within commercial architecture, with or without structures or obstacles therein; airspace within open areas or rooms within commercial architecture, with or without structures or obstacles therein; public or dedicated aisles; hallways; tunnels; ramps; elevators; conveyors; or pedestrian walkways.

[0011] In some embodiments, the navigation module controls routing of the conveyance system of the autonomous or semi-autonomous vehicles in the fleet in the unstructured open or closed environments.

[0012] In some embodiments, the communication to the user, to the autonomous or semi-autonomous vehicles in the fleet, between the autonomous or semi-autonomous vehicles of the fleet, and between the user and the autonomous or semi-autonomous vehicles in the fleet, occurs via wireless transmission.

[0013] In some embodiments, the user comprises a fleet manager; a sub-contracting vendor; a service provider; a customer; a business entity; an individual; or a third party.

[0014] In some embodiments, the user's wireless transmission interactions and the autonomous or semi-autonomous vehicle fleet wireless transmission interactions occur via mobile application transmitted by an electronic device and forwarded to the communication module via: a central server; a fleet management module; and/or a mesh network.

[0015] In some embodiments, the electronic device comprises: a phone; a personal mobile device; a personal digital assistant (PDA); a mainframe computer; a desktop computer; a laptop computer; a tablet computer; and/or wearable computing device comprising: a communication headset; smart glasses; a contact lens or lenses; a digital watch; a bracelet; a ring; jewelry; or a combination thereof.

[0016] In some embodiments, each autonomous or semi-autonomous vehicle fleet is configured with a maximum speed range from 1.0 mph to 90.0 mph.

[0017] In some embodiments, the plurality of securable compartments are humidity and temperature controlled for: hot goods, cold goods, wet goods, dry goods, or combinations or variants thereof.

[0018] In some embodiments, the plurality of securable compartments are configurable for a plurality of goods. Such configurations and goods comprise: bookshelves for books; thin drawers for documents; larger box-like drawers for packages, and sized compartments for vending machines, coffee makers, pizza ovens and dispensers.

[0019] In some embodiments, the plurality of securable compartments are variably configurable based on: anticipated demands; patterns of behaviors; area of service; or types of goods to be transported.

[0020] In some embodiments, the services comprise: subscription services; prescription services; marketing services; advertising services; notification services; a mobile marketplace; or requested, ordered or scheduled delivery services. In particular embodiments, the scheduled delivery services include, by way of example, special repeat deliveries such as groceries, prescriptions, drinks, mail, documents, etc.

[0021] In some embodiments, the services further comprise: the user receiving and returning the same or similar goods within the same interaction; (e.g., signed documents); the user receiving one set of goods and returning a different set of goods within the same interaction; (e.g., product replacement / returns, groceries, merchandise, books, recording, videos, movies, payment transactions, etc.); a third party user providing instruction and or authorization to a goods or service provider to prepare, transport, deliver and/or retrieve goods to a principle user in a different location.

[0022] In some embodiments, the services further comprise: general services, (e.g., picking up a user's dry cleaning, dropping off a user's dry cleaning, renting goods, (such as tools, DVDs, etc.), sharing/borrowing goods from other users or businesses, etc.). Further still, it may be a general pickup service for items to be shipped, returned, or sent to other users/businesses, etc.

[0023] In some embodiments, at least one autonomous or semi-autonomous vehicle in the fleet is further configured to process or manufacture goods.

[0024] In some embodiments, the processed or manufactured goods comprise: beverages, etc., with or without condiments; (e.g., coffee, tea, carbonated drinks, etc.); a plurality of fast foods; or microwavable foods.

[0025] In some embodiments, the autonomous or semi-autonomous vehicle fleet further comprises at least one autonomous or semi-autonomous vehicle having a digital display for curated content comprising: advertisements (i.e., for both specific user and general public), including; services provided, marketing / promotion, regional / location of areas served, customer details, local environment, lost, sought or detected people, public service announcements, date, time, or weather.

[0026] In some embodiments of the autonomous or semi-autonomous vehicle fleet, the positioning of autonomous or semi-autonomous vehicles can be customized based on: anticipated use, a pattern of historical behaviors, or specific goods being carried.

[0027] In some embodiments, the autonomous or semi-autonomous vehicle fleet is fully-autonomous.

[0028] In some embodiments, the autonomous or semi-autonomous vehicle fleet is semi-autonomous.

[0029] In some embodiments, the autonomous or semi-autonomous vehicle fleet is controlled directly by the user.

[0030] In some embodiments of the autonomous or semi-autonomous vehicle fleet, a plurality of said autonomous or semi-autonomous vehicles within the fleet is operated on behalf of third party vendor/service provider; (e.g., fleet managed by an owner, but providing a coffee service/experience for a third party vendor (i.e., Starbucks) with white label vehicles in the fleet).

[0031] In some embodiments of the autonomous or semi-autonomous vehicle fleet, a plurality of said autonomous or semi-autonomous vehicles within the fleet is further configured to be part of a sub-fleet comprising a sub-plurality of autonomous or semi-autonomous vehicles, wherein each sub-fleet is configured to operate independently or in tandem with multiple sub-fleets comprising two or more sub-fleets.

INCORPORATION BY REFERENCE

[0032] All publications, patents, and patent applications mentioned in this specification are herein incorporated by reference to the same extent as if each individual publication, patent,

or patent application was specifically and individually indicated to be incorporated by reference.

BRIEF DESCRIPTION OF THE DRAWINGS

[0033] The novel features of the invention are set forth with particularity in the appended claims. A better understanding of the features and advantages of the present invention will be obtained by reference to the following detailed description that sets forth illustrative embodiments, in which the principles of the invention are utilized, and the accompanying drawings of which:

[0034] **FIG. 1** is an illustration of an exemplary autonomous or semi-autonomous vehicle fleet, in accordance with some embodiments;

[0035] **FIG. 2** is an perspective view of an exemplary autonomous or semi-autonomous vehicle comprising a plurality of compartments, in accordance with some embodiments;

[0036] **FIG. 3** is an front view of an exemplary autonomous or semi-autonomous vehicle beside a walking person, in accordance with some embodiments;

[0037] **FIG. 4** is an right side view of an exemplary autonomous or semi-autonomous vehicle, in accordance with some embodiments;

[0038] **FIG. 5** is an left side view of an exemplary autonomous or semi-autonomous vehicle beside an average person, in accordance with some embodiments;

[0039] **FIG. 6** is an rear view of an exemplary autonomous or semi-autonomous vehicle in accordance with some embodiments;

[0040] **FIG. 7** is a perspective view of an exemplary food delivery autonomous or semi-autonomous vehicle, in accordance with some embodiments;

[0041] **FIG. 8** is a perspective view of an exemplary pizza delivery autonomous or semi-autonomous vehicle, in accordance with some embodiments;

[0042] **FIG. 9** is a perspective view of an exemplary coffee delivery autonomous or semi-autonomous vehicle, in accordance with some embodiments;

[0043] **FIG. 10** is a perspective view of an exemplary meal delivery autonomous or semi-autonomous vehicle comprising a lighted interior, in accordance with some embodiments;

[0044] **FIG. 11A** is a perspective view of an exemplary vending autonomous or semi-autonomous vehicle, in accordance with some embodiments;

[0045] **FIG. 11B** is a perspective view of another exemplary vending autonomous or semi-autonomous vehicle, in accordance with some embodiments;

[0046] FIG. 12 is an exemplary flowchart representation of the logic for a fleet management control module associated with a central server for the autonomous or semi-autonomous vehicle fleet, in accordance with some embodiments;

[0047] FIG. 13 is an exemplary flowchart representation of the logic flow from the Fleet Management Control Module through the autonomous or semi-autonomous vehicle processor to the various systems and modules of the autonomous or semi-autonomous vehicle, in accordance with some embodiments;

[0048] FIG. 14 shows a non-limiting schematic diagram of a digital processing device; in this case, a device with one or more CPUs, a memory, a communication interface, and a display;

[0049] FIG. 15 shows a non-limiting schematic diagram of a web/mobile application provision system; in this case, a system providing browser-based and/or native mobile user interfaces;

[0050] FIG. 16 shows a non-limiting schematic diagram of a cloud-based web/mobile application provision system; in this case, a system comprising an elastically load balanced, auto-scaling web server and application server resources as well synchronously replicated databases; and

[0051] FIG. 17 shows a non-limiting schematic diagram of a platform for autonomously or semi-autonomously delivering a second item to a customer.

DETAILED DESCRIPTION OF THE INVENTION

[0052] This disclosure relates to an autonomous and/or semi-autonomous vehicle fleet comprising a plurality of autonomous or semi-autonomous vehicles, for transporting or retrieving deliveries in either open unstructured outdoor environments or closed environments.

[0053] Many marketplaces and vendors encourage purchases of additional products, such as, for example, by placing candies near the checkout counter of a grocery store. Although such additional products are carefully selected and positioned to attract attention from the average customer, such techniques cannot be optimized to upsell items based on the particular customer or their intended purchase.

[0054] While additional purchase encouragement can also be performed by manual or autonomous product delivery, no current systems, methods, or devices are configured to maintain a pertinent and easily customizable mobile stock. Further, such systems and

platforms are not configured for real-time order amendments or returns. Finally, as cargo space is limited in most autonomous or semi-autonomous vehicles, for energy consumption, and as such systems do not employ human teller, triage and prioritization of any upsell stock is uniquely pertinent.

[0055] As such, provided herein is an autonomous or semi-autonomous vehicle for delivering a second item to a customer, the autonomous or semi-autonomous vehicle comprising: a first compartment configured to contain, secure, and vend a first item; a second compartment configured to contain, secure, and vend the second item, wherein the second compartment comprises a sensor configured to detect a presence of the second item; an input device configured to receive a selection of the second item by a customer. In some embodiments, the autonomous or semi-autonomous vehicle is configured to maintain a pertinent and easily customizable mobile stock. The autonomous or semi-autonomous vehicle may be configured for real-time order amendments or returns and prioritize and predict additional sale items that are uniquely pertinent.

Fleet of autonomous or semi-autonomous vehicles

[0056] Provided herein, per **FIG. 1**, is an autonomous or semi-autonomous vehicle fleet **100**, comprising a plurality of autonomous or semi-autonomous vehicles **101**, each one operating autonomously or semi-autonomously.

[0057] In some embodiments, the fleet **100** of vehicles is fully-autonomous. In some embodiments, the fleet **100** of vehicles is semi-autonomous. In some embodiments, at least one of a fleet operator **200**, a provider **204**, and a customer **202** can override and manually control the autonomous or semi-autonomous vehicle **101**. Manual override may be required to address navigation malfunctions, provider inventory issues, or unanticipated traffic, mechanical failure, electrical failure, traffic accident, and road conditions. In some embodiments, manual control comprises direct control of the autonomous or semi-autonomous vehicle's **101** processor to override the conveyance and sensor systems. In other cases, manual control comprises a fleet operator manually returning the vehicle to a base station for repair.

[0058] In some embodiments, the autonomous or semi-autonomous vehicle fleet **100** is controlled directly by a user **200**. In some embodiments of the plurality of autonomous or semi-autonomous vehicles **101** within the fleet **100** is operated on behalf of third party vendor or service provider. The third party vendor or service provider may comprise a food and beverage provider.

[0059] In some embodiments of the autonomous or semi-autonomous vehicle fleet, a plurality of said autonomous or semi-autonomous vehicles within the fleet is further configured to be part of a sub-fleet comprising a sub-plurality of autonomous or semi-autonomous vehicles, each sub-fleet is configured to operate independently or in tandem with multiple sub-fleets comprising two or more sub-fleets (**100-a**, **100-b**). In the case wherein the third party vendor or service provider comprises a food and beverage provider, a sub-fleet of “white label” vehicles may display the logo and vend the products of the third party food and beverage provider.

[0060] In the case where the third party vendor or service provider comprises a package delivery service, multiple sub-fleets can be employed, each of which provide a specific service to its customer. Levels of service in this case may include immediate dedicated rush service, guaranteed morning / afternoon delivery service, and general delivery service. Alternatively, a third party may have priority over a certain number of autonomous or semi-autonomous vehicles **101** in the fleet **100**, which are otherwise tasked with alternative assignments (e.g., other third parties) to guarantee a certain level of responsiveness.

Fleet Management Module

[0061] In some embodiments of the autonomous or semi-autonomous vehicle fleet **100**, the fleet comprises a fleet management module **120** for coordination of the autonomous or semi-autonomous vehicles **101** in the fleet **100** and communication with fleet owners, fleet operators, users, service providers, vendors, businesses and customers to optimize assignment and coordination. The fleet management module may work in coordination with a central server **110**. The central server **110** may be located in a central operating facility owned or managed by the fleet owner **200**.

[0062] In some embodiments, the fleet management module **120** may direct each of the autonomous or semi-autonomous vehicles **101** through a navigation module **140**. The navigation module **140** may employ maps generated by the user, an operator, the public or a fleet operator, comprising digital maps, HD maps, weather conditions, elevation maps, GPS coordinates, or any combination thereof to operate within structured, open unstructured, or closed environments. The a navigation module **140** may further employ a sensor on board the autonomous or semi-autonomous vehicles **101**, such as a camera, a LiDAR, an altimeters, a microphone, a GPS sensor, or a radar, to confirm its augment or confirm the navigational instructions, driving conditions, and uncharted obstacles. As such, the navigation module

140, in combination with processors and/or applications aboard the autonomous or semi-autonomous vehicles **101** enable a safe, robust navigation trajectory.

[0063] In some embodiments, the autonomous fleet **100** is strategically positioned throughout a geographic region in anticipation of a known demand. Over time, a user **200** and/or a vendor **204** can anticipate demand for autonomous or semi-autonomous vehicle services by storing data relating to the quantity, timing, and type of orders received in each region. Such demand prediction can be performed for both source location (e.g., restaurants, grocery stores, general businesses, etc.) and delivery location (e.g., customer, other businesses, etc.). Such demand predictions can further be weighted by the cost or importance of the good or service and employ historical trends for higher efficiency and throughput. As such, the fleet management module **120** may position the autonomous or semi-autonomous vehicles **101** as close as possible to the expected source locations.

[0064] As illustrated in **FIG. 12**, in one embodiment, a request is sent to a main server **110**, which then communicates with the fleet management module **120** to relay the request to a service provider **204** (e.g., restaurant, delivery service, vendor, or retailer) and an one or more autonomous or semi-autonomous vehicles **101** in the fleet **100**. The fleet management module **120** may select the autonomous or semi-autonomous vehicles **101** in the fleet **100** within the geographic region and/or proximity service provider. The assigned autonomous or semi-autonomous vehicle **101** then arrives at a location associated with the service provider **204** to receive the good. The autonomous or semi-autonomous vehicle **101** then travels to the customer **202**, whereby the customer interacts with the autonomous or semi-autonomous vehicle **101** to retrieve their goods or service (e.g., an ordered good) by, for example, requesting that the autonomous or semi-autonomous vehicle **101** open its compartment **102**, **104**. The autonomous or semi-autonomous vehicle **101** may receive the request through a customer application, or a user interface on the autonomous or semi-autonomous vehicle **101** itself, comprising, for example, an RFID reader, a touchpad, a keypad, a voice command, or a vision-based recognition. Upon completion of the delivery (or retrieval, if appropriate), the autonomous or semi-autonomous vehicle **101** reports completion of the assignment and waits, or returns to a start location, for re-assignment.

[0065] In some embodiments, per **FIG. 13**, the fleet management module **120** coordinates the autonomous or semi-autonomous vehicle fleet **100** by utilizing the autonomous or semi-autonomous vehicle's processor **125** to process data from each of the autonomous or semi-autonomous vehicle's systems and modules such as the conveyance system **130**, the power

system **135**, the navigation module **140**, the sensor system **170, 175**, the communication module **160**, and the controller **150**.

[0066] In another example, the provided service comprises retrieval of an item from a first party and delivery of the item to a second party. In this scenario, the fleet management module **120** may assign the autonomous or semi-autonomous vehicle **101** to arrive at a given location associated with the first party, assign a securable compartment within the autonomous or semi-autonomous vehicle **101** for receipt of the item, confirm receipt of the item from the first party, navigate to a location associated with the second party, deliver the item to the second party upon, and receive delivery confirmation from the second party. In some embodiments, delivery of the item to the second party comprises the second party entering a PIN or other recognition code to gain access to the secure compartment.

Autonomous Vehicles

[0067] As illustrated in **FIGS. 3 – 11B**, an exemplary autonomous or semi-autonomous vehicle **101** may comprise an autonomous or semi-autonomous vehicle configured for land travel. The autonomous or semi-autonomous vehicle **101** may have a width, a height, and a length, wherein the length is about 2 feet to about 5 feet. The autonomous or semi-autonomous vehicle **101** may be lightweight and have a low center of gravity for increased stability. The autonomous or semi-autonomous vehicle **101** may be configurable for land, water, or air. The autonomous or semi-autonomous vehicle **101** may comprise a land vehicle such as, for example, a car, a wagon, a van, a tricycle, a truck, a trailer, a bus, a train, or a tram. The autonomous or semi-autonomous vehicle **101** may comprise a watercraft such as, for example, a ship, a boat, a ferry, a landing craft, a barge, a rafts, or a hovercraft. Alternatively, the autonomous or semi-autonomous vehicle **101** may comprise an aircraft or a spacecraft.

[0068] Each autonomous or semi-autonomous vehicle **101** in the fleet may comprise an autonomous or semi-autonomous propulsion system **130** comprising a drive system, a propulsion engine, a wheel, a treads, a wing, a rotor, a blower, a rocket, a propeller, a brake, or any combination thereof.

[0069] In one exemplary embodiment, an autonomous or semi-autonomous vehicle **101** comprises a land vehicle configured with a traditional 4-wheeled automotive configuration comprising conventional steering and braking systems. In this embodiment, the drive train may be configurable for standard 2-wheel drive or 4-wheel all-terrain traction drive, and the

propulsion system may be configurable as a gas engine, a turbine engine, an electric motor and/or a hybrid gas/electric engine.

[0070] In some embodiments, the autonomous or semi-autonomous vehicle **101** is configured for water travel as a watercraft with a propulsion system comprising a gas engine, a turbine engine, an electric motor and/or a hybrid gas/electric engine, or any combination thereof. In some embodiments, the autonomous or semi-autonomous vehicle **101** is configured for hover travel as an over-land or over-water hovercraft or an air-cushion vehicle (ACV) and is configured with blowers to produce a large volume of air below the hull that is slightly above atmospheric pressure. In some embodiments, the autonomous or semi-autonomous vehicle **101** is configured for air travel as an aerial drone or aerial hovercraft and is configured with wings, rotors, blowers, rockets, and/or propellers and an appropriate brake system.

[0071] The autonomous or semi-autonomous vehicle **101** may further comprise an auxiliary solar power system **135** to provide back-up emergency power or power for minor low-power sub-systems. In some embodiments, each autonomous or semi-autonomous vehicle of the autonomous or semi-autonomous vehicle fleet is configured with one or more power sources, such as battery, solar, gasoline, or propane.

[0072] Each autonomous or semi-autonomous vehicle **101** in the fleet **100** may comprise a sensor system **170** comprising a plurality of onboard sensors such as, for example, a camera, a video camera, a LiDAR, a radar, an ultrasonic sensor, and a microphone. Each autonomous or semi-autonomous vehicle **101** may further comprise an internal computer **125** for real time navigation and obstacle avoidance, based on the data received by the sensors.

[0073] In some embodiments, the autonomous or semi-autonomous vehicles may further comprise an autonomous or semi-autonomous propulsion system sensor **175** configured to monitor drive mechanism performance (e.g., the propulsion engine), power system levels **135** (e.g., battery, solar, gasoline, propane, etc.), monitor drive train performance (e.g., transmission, tires, brakes, rotors, etc.), or any combination thereof.

[0074] In some embodiments, the autonomous or semi-autonomous vehicle is further configured to process or manufacture a good. In some embodiments, the autonomous or semi-autonomous vehicle is configured to process or manufacture the good in-transit. In some embodiments, the processed or manufactured good comprises: a beverage with or without condiments (such as coffee, tea, carbonated drinks, etc.), a fast food, a microwavable food, a reheatable food, or a rehydratable food. In some embodiments, the autonomous or semi-autonomous vehicle is equipped for financial transactions through debit or credit card readers.

[0075] In some embodiments, the autonomous or semi-autonomous vehicle **101** further comprises a digital display for curated content comprising advertisements, marketing promotions, a public service notification, an emergency notification, or any combination thereof.

[0076] In some embodiments, the autonomous or semi-autonomous vehicle **101** has a driving speed of about 1 miles per hour (mph) to about 90 mph, to accommodate inner-city, residential, and intrastate or interstate driving. In some embodiments, the autonomous or semi-autonomous vehicle fleet is configured for land travel. In some embodiments, each autonomous land vehicle in the fleet is configured with a working speed range from 13.0 mph to 45.0 mph. In some embodiments, the autonomous land vehicles in the fleet are configured with a maximum speed range from 13.0 mph to about 90.0 mph. In some embodiments, the autonomous or semi-autonomous vehicle fleet is configured for water travel as a watercraft and is configured with a working speed range from 1.0 mph to 45.0 mph. In some embodiments, the autonomous or semi-autonomous vehicle fleet is configured for hover travel as an over-land or over-water hovercraft and is configured with a working speed range from 1.0 mph to 60.0 mph. In some embodiments, the autonomous or semi-autonomous vehicle fleet is configured for air travel as an aerial drone or aerial hovercraft and is configured with a working speed range from 1.0 mph to 80.0 mph.

Communications Module

[0077] Each autonomous or semi-autonomous vehicle **101** may comprise a communication module **160** configurable to receive and send data from the fleet management module **120**, and the user. In some embodiments the data is related user interactions and autonomous or semi-autonomous vehicle fleet interactions, comprising: scheduled requests or orders, on-demand requests or orders, or a self-positioning request. In some embodiments, the communication module **160** receives and sends data via wireless transmission. In some embodiments, the wireless transmission occur via a mobile application on an electronic device via a central server, a fleet management module, a mesh network, cellular communication (e.g., 3G, 4G, and 5G), satellite communications, or any combination thereof. In some embodiments, the electronic device comprises a phone, a personal mobile device, a personal digital assistant (PDA), a mainframe computer, a desktop computer, a laptop computer, a tablet computer, and/or wearable computing device comprising: a communication headset, smart glasses, a contact lens or lenses, a digital watch, a bracelet, a ring, a jewelry, or a combination thereof.

[0078] In some embodiments, business **204** and customers **202** communicate with the fleet operator **200** through their own app/interface. In some embodiments, each autonomous or semi-autonomous vehicle **101** further comprises a memory device to store the data for future data transfer or manual download.

Securable Compartments

[0079] As illustrated in **FIGS. 7 – 11**, in some embodiments, the plurality of compartments may be humidity and/or temperature controlled for: hot goods; cold goods; wet goods; dry goods, or combinations thereof. In some embodiments, the plurality of securable compartments are configurable for a plurality of goods. Exemplary compartments and goods comprise: bookshelves for books; thin drawers for documents; larger box-like drawers for packages, sized compartments for vending machines, embedded coffee makers, pizza ovens, and dispensers. In some embodiments, the plurality of securable compartments can be configured and reconfigured based on: anticipated demands, patterns of behaviors, area of service, the types of goods to be transported, or any combination thereof. Alternately, the compartments may be configured to contain a set of goods to form a mobile marketplace (similar to a mini bar at a hotel). Further, as illustrated in **FIGS. 8 - 10**, the compartment may further comprise various additional amenities such as lights for night deliveries, condiment dispensers, and display screens. In some embodiments, the plurality of securable compartments are set up for rolling food trucks. In some embodiments, the plurality of securable compartments are set up for rolling pharmacies. In some embodiments, the plurality of securable compartments are set up for rolling first aid kits. One or more of the compartments may be configured with the same size, the same shape, or both. One or more of the compartments may be configured with the different sizes, shapes, or both. Each compartment may comprise one or more inserts to secure at least one of the first item and the second item.

[0080] One aspect provided herein is, per **FIG. 11A**, is an autonomous or semi-autonomous vehicle **101** for delivering a second item **1120** to a customer, the autonomous or semi-autonomous vehicle **101** comprising a first compartment **1111**, a second compartment **1121**, and an input device **1140**. In some embodiments, the first compartment **1111** is configured to contain, secure, and vend a first item **1110**. In some embodiments, the second compartment **1121** is configured to contain, secure, and vend the second item **1120**. In some embodiments, the second compartment **1121** comprises a sensor **1130** configured to detect a presence of the second item **1120**. In some embodiments the input device **1140** is configured to receive a

selection of the second item **1120** by a customer. In some embodiments, the autonomous or semi-autonomous vehicle **101** further comprises an autonomous or semi-autonomous propulsion system.

[0081] In some embodiments, the autonomous or semi-autonomous vehicle **101** further comprises a non-transitory computer-readable storage media encoded with a computer program including instructions executable by a processor to create an application comprising: an ordering module, a prediction module, a delivery module, a first vending module, a second vending module, and a confirmation module. In some embodiments, the ordering module is configured to receive an order for the first item from a customer. In some embodiments, the prediction module configured to determine the second item **1120** based at least on the first item **1110** and a customer data associated with the customer. In some embodiments, the prediction module is further configured to send a loading instruction based on the second item **1120**. In some embodiments, the delivery module controls the autonomous or semi-autonomous propulsion system to direct the autonomous or semi-autonomous vehicle **101** to a location of the customer. In some embodiments, the first vending module directs the first compartment **1111** to vend the first item **1110**. In some embodiments, the second vending module directs the second compartment **1121** to vend the second item **1120** based on the selection. In some embodiments, the confirmation module determines that the second item **1120** has been vended based at least on the detection of the presence of the second item **1120**. In some embodiments the application further comprises a payment module configured to charge the customer based on the vending of the first item, the presence of the second item, or both. In some embodiments the first compartment comprises a sensor configured to detect a presence of the first item.

[0082] In some embodiments the input device comprises a button, a touchscreen, a Bluetooth sensor, a wireless network device, a cellular network device, a camera, a USB input, a keyboard, or any combination thereof. In some embodiments the first compartment is configured to contain, secure, and vend 2 or more first items. In some embodiments the second compartment is configured to contain, secure, and vend 2 or more second items. In some embodiments at least the first item and the second item is associated with a unique identifier. In some embodiments, the sensor is configured to detect the presence of the second item based on the unique identifier. In some embodiments the sensor comprises at least one of a thermometer, a barcode scanner, an RFID reader, a scale, a pressure sensor, a switch, and a camera. In some embodiments vending the first item comprises unlocking a door of the first compartment, opening a door of the first compartment, releasing the first item from the first

compartment, or any combination thereof. In some embodiments vending the second item comprises unlocking a door of the second compartment, opening a door of the second compartment, releasing the second item from the second compartment, or any combination thereof.

[0083] In some embodiments, the autonomous or semi-autonomous vehicle further comprises a communication device configured to receive an instruction from a fleet management module. In some embodiments the instruction comprises at least one of the first item, the second item, the location of the customer, and an identity of the customer. In some embodiments, the autonomous or semi-autonomous vehicle further comprises at least one of an energy storage device, and an energy collection device. In some embodiments, the autonomous or semi-autonomous vehicle further comprises a screen configured to display a media. In some embodiments the media comprises a media associated with the first item, a media associated with the second item, a price associated with the first item, a price associated with the second item, the selection, the order, the presence of the second item, the location of the customer, an identity of the customer, or any combination thereof. In some embodiments the prediction module is configured to determine the second item based at least on the first item and the customer data associated with the customer by a machine learning algorithm.

[0084] In some embodiments, an algorithm is used to determine the second item to stock with each order based on the current order, a customer's past purchasing history, or other aggregate purchasing behaviors of customers similar to the current customer based on demographics, locations, type of purchases, or other factors. In some cases, the second item comprises a complementary product, a product variety, a product option, or any combination thereof.

[0085] In some embodiments, the second item determined by the algorithm is loaded onto the autonomous or semi-autonomous vehicle by a person or automated loading system.

[0086] At least one of the autonomous or semi-autonomous vehicle and the compartment may comprise a controller **150** configured to associate each one of the plurality of securable compartments **102, 104** to an assigned customer **202** or provider **204** and provide entry to the securable compartments **102, 104** upon authorization. Each securable compartments **102, 104** may be secured separately to transport goods to separate sets of customers **202**. As such, the autonomous or semi-autonomous vehicle may deliver a first good or service to a first assigned customer from within a first securable compartment **102, 104** and then deliver a

second good or service to a second assigned customer from within the securable compartment **102, 104.**

[0087] Upon arrival of the autonomous or semi-autonomous vehicle to the customer destination, the customer may open their respective compartment(s) by verifying their identity. In one embodiment, the customer verifies their identity by providing a PIN (e.g., 4 digit number) via a touchscreen or a keypad within the autonomous or semi-autonomous vehicle, which they received upon initial request/order. The customer can verify themselves using their mobile phone and an RFID reader on the autonomous or semi-autonomous vehicle. Alternatively, the customer is verified through voice recognition of a keyword or key-phrase, wherein the autonomous or semi-autonomous vehicle comprises a microphone and a voice recognition application for recognition thereof. Further, in another embodiment, the customer is verified through facial or identification recognition, wherein the autonomous or semi-autonomous vehicle comprises a camera and a facial recognition application for recognition thereof. Additionally or alternatively, the customer is verified through a magnetic strip, RFID key or any other computer readable form of identification. Finally, in another embodiment, the customer is verified by entering a code or identification value on their mobile device, wherein the autonomous or semi-autonomous vehicle receives a cellular signal comprising a confirmation of the user or data related to the code of identification of the user.

[0088] In some embodiments, the vehicle could be configured for water travel, providing at least one and preferably two large storage compartments, and more preferably, at least one large compartment is configured with a plurality of smaller internal secure compartments of variable configurations to carry individual items that are to be delivered to, or need to be retrieved from customers. Further still, in some embodiments, the vehicle could be configured for hover travel, providing at least one and preferably two large storage compartments, and more preferably, at least one large compartment is configured with a plurality of smaller internal secure compartments of variable configurations to carry individual items that are to be delivered to, or need to be retrieved from customers. Further still, in some embodiments, the vehicle could be configured for aerial drone or aerial hover travel, providing at least one and preferably two large storage compartments, and more preferably, at least one large compartment is configured with a plurality of smaller internal secure compartments of variable configurations to carry individual items that are to be delivered to, or need to be retrieved from customers.

Operating Environments

[0089] The autonomous or semi-autonomous vehicles **101** in the fleet **100** may be configured to operate within a variety of unstructured open operating environments to enable service to a broad range of locations.

[0090] In some embodiments, the unstructured open environment is a non-confined geographic region accessible by navigable pathways comprising: public roads; private roads; bike paths; open fields, open public lands, open private lands, pedestrian walkways, lakes, rivers, or streams.

[0091] In some embodiments, the closed environment is a confined, enclosed, or semi-enclosed structure accessible by navigable pathways comprising: open areas or rooms within commercial architecture, with or without structures or obstacles therein; airspace within open areas or rooms within commercial architecture, with or without structures or obstacles therein; public or dedicated aisles; hallways; tunnels; ramps; elevators; conveyors; or pedestrian walkways.

[0092] In some embodiments, the unstructured open environment is a non-confined airspace or even near-space environment which includes all main layers of the Earth's atmosphere comprising the troposphere, the stratosphere, the mesosphere, thermosphere and the exosphere. In some embodiments, the navigation module controls routing of the conveyance system of the vehicles in the fleet in the unstructured open or closed environments.

Goods and Services

[0093] In some embodiments, the user comprises a fleet manager, a sub-contracting vendor, a service provider, a customer, a business entity, an individual, or a third party.

[0094] In some embodiments, the services comprises a subscription service, a prescription service, a marketing service, an advertising service, a notification service, a requested service, an ordered service, a scheduled delivery service, or any combination thereof. For example, the scheduled delivery services may include special repeat deliveries such as groceries, prescriptions, drinks, mail, documents, or any combination thereof.

[0095] In some embodiments, the services alternatively or further comprise a return of a good (e.g., a signed document), receiving one set of goods and returning a different set of goods (e.g., product replacement / returns, groceries, merchandise, books, recording, videos, movies, payment transactions, etc.), or a third party user providing instruction and or authorization to a goods or service provider to prepare, transport, deliver and/or retrieve goods to a principle user in a different location. In some embodiments, the services further or

alternatively comprise: advertising services, land survey services, patrol services, monitoring services, traffic survey services, signage and signal survey services, architectural building, or road infrastructure survey services.

[0096] In some embodiments, the service further or alternatively comprises processing or manufacturing a good. In some embodiments, the autonomous or semi-autonomous vehicle is configured to process or manufacture the good in-transit. In some embodiments, the processed or manufactured good comprises: a beverage with or without condiments (such as coffee, tea, carbonated drinks, etc.), a fast food, a microwavable food, a reheatable food, or a rehydratable food. In some embodiments, the service comprises a financial transaction.

[0097] In some embodiments, the service comprises advertising, marketing, public safety, public service, or any combination thereof.

Controller(s) and Processor(s)

[0098] In some embodiments, each autonomous or semi-autonomous vehicle in the autonomous or semi-autonomous vehicle fleet is equipped with one or more processors **125** capable of both high-level computing for processing as well as low-level safety-critical computing capacity for controlling the hardware. The at least one processor is configured to manage the conveyance system, the navigation module, the sensor system, instructions from the fleet management module, the communication module and the controller.

[0099] Further still, in some embodiments, each autonomous or semi-autonomous vehicle in the autonomous or semi-autonomous vehicle fleet is equipped with a controller **150** configurable to associate each one of the plurality of securable compartments **102**, **104** to an assignable customer **202** or provider **204** and provide entry when authorized.

Digital processing device

[0100] In some embodiments, the platforms, systems, media, and methods described herein include a digital processing device, or use of the same. In further embodiments, the digital processing device includes one or more hardware central processing units (CPUs) or general purpose graphics processing units (GPGPUs) that carry out the device's functions. In still further embodiments, the digital processing device further comprises an operating system configured to perform executable instructions. In some embodiments, the digital processing device is optionally connected a computer network. In further embodiments, the digital processing device is optionally connected to the Internet such that it accesses the World Wide Web. In still further embodiments, the digital processing device is optionally connected to a

cloud computing infrastructure. In other embodiments, the digital processing device is optionally connected to an intranet. In other embodiments, the digital processing device is optionally connected to a data storage device.

[0101] In accordance with the description herein, suitable digital processing devices include, by way of non-limiting examples, server computers, desktop computers, laptop computers, notebook computers, sub-notebook computers, netbook computers, netpad computers, set-top computers, and media streaming devices, handheld computers, Internet appliances, mobile smartphones, tablet computers, personal digital assistants, video game consoles, and vehicles. Those of skill in the art will recognize that many smartphones are suitable for use in the system described herein. Those of skill in the art will also recognize that select televisions, video players, and digital music players with optional computer network connectivity are suitable for use in the system described herein. Suitable tablet computers include those with booklet, slate, and convertible configurations, known to those of skill in the art.

[0102] In some embodiments, the digital processing device includes an operating system configured to perform executable instructions. The operating system is, for example, software, including programs and data, which manages the device's hardware and provides services for execution of applications. Those of skill in the art will recognize that suitable server operating systems include, by way of non-limiting examples, FreeBSD, OpenBSD, NetBSD[®], Linux, Apple[®] Mac OS X Server[®], Oracle[®] Solaris[®], Windows Server[®], and Novell[®] NetWare[®]. Those of skill in the art will recognize that suitable personal computer operating systems include, by way of non-limiting examples, Microsoft[®] Windows[®], Apple[®] Mac OS X[®], UNIX[®], and UNIX-like operating systems such as GNU/Linux[®]. In some embodiments, the operating system is provided by cloud computing. Those of skill in the art will also recognize that suitable mobile smart phone operating systems include, by way of non-limiting examples, Nokia[®] Symbian[®] OS, Apple[®] iOS[®], Research In Motion[®] BlackBerry OS[®], Google[®] Android[®], Microsoft[®] Windows Phone[®] OS, Microsoft[®] Windows Mobile[®] OS, Linux[®], and Palm[®] WebOS[®]. Those of skill in the art will also recognize that suitable media streaming device operating systems include, by way of non-limiting examples, Apple TV[®], Roku[®], Boxee[®], Google TV[®], Google Chromecast[®], Amazon Fire[®], and Samsung[®] HomeSync[®]. Those of skill in the art will also recognize that suitable video game console operating systems include, by way of non-limiting examples, Sony[®] PS3[®], Sony[®] PS4[®], Microsoft[®] Xbox 360[®], Microsoft Xbox One, Nintendo[®] Wii[®], Nintendo[®] Wii U[®], and Ouya[®].

[0103] In some embodiments, the device includes a storage and/or memory device. The storage and/or memory device is one or more physical apparatuses used to store data or programs on a temporary or permanent basis. In some embodiments, the device is volatile memory and requires power to maintain stored information. In some embodiments, the device is non-volatile memory and retains stored information when the digital processing device is not powered. In further embodiments, the non-volatile memory comprises flash memory. In some embodiments, the non-volatile memory comprises dynamic random-access memory (DRAM). In some embodiments, the non-volatile memory comprises ferroelectric random access memory (FRAM). In some embodiments, the non-volatile memory comprises phase-change random access memory (PRAM). In other embodiments, the device is a storage device including, by way of non-limiting examples, CD-ROMs, DVDs, flash memory devices, magnetic disk drives, magnetic tapes drives, optical disk drives, and cloud computing based storage. In further embodiments, the storage and/or memory device is a combination of devices such as those disclosed herein.

[0104] In some embodiments, the digital processing device includes a display to send visual information to a user. In some embodiments, the display is a liquid crystal display (LCD). In further embodiments, the display is a thin film transistor liquid crystal display (TFT-LCD). In some embodiments, the display is an organic light emitting diode (OLED) display. In various further embodiments, on OLED display is a passive-matrix OLED (PMOLED) or active-matrix OLED (AMOLED) display. In some embodiments, the display is a plasma display. In other embodiments, the display is a video projector. In yet other embodiments, the display is a head-mounted display in communication with the digital processing device, such as a VR headset. In further embodiments, suitable VR headsets include, by way of non-limiting examples, HTC Vive, Oculus Rift, Samsung Gear VR, Microsoft HoloLens, Razer OSVR, FOVE VR, Zeiss VR One, Avegant Glyph, Freefly VR headset, and the like. In still further embodiments, the display is a combination of devices such as those disclosed herein.

[0105] In some embodiments, the digital processing device includes an input device to receive information from a user. In some embodiments, the input device is a keyboard. In some embodiments, the input device is a pointing device including, by way of non-limiting examples, a mouse, trackball, track pad, joystick, game controller, or stylus. In some embodiments, the input device is a touch screen or a multi-touch screen. In other embodiments, the input device is a microphone to capture voice or other sound input. In other embodiments, the input device is a video camera or other sensor to capture motion or visual input. In further embodiments, the input device is a Kinect, Leap Motion, or the like. In still

further embodiments, the input device is a combination of devices such as those disclosed herein.

[0106] Referring to **FIG. 14**, in a particular embodiment, a digital processing device **1401** is programmed or otherwise configured to managing autonomous or semi-autonomous vehicles. The device **1401** is programmed or otherwise configured to manage autonomous or semi-autonomous vehicles. In this embodiment, the digital processing device **1401** includes a central processing unit (CPU, also “processor” and “computer processor” herein) **1405**, which is optionally a single core, a multi core processor, or a plurality of processors for parallel processing. The digital processing device **1401** also includes memory or memory location **1410** (e.g., random-access memory, read-only memory, flash memory), electronic storage unit **1415** (e.g., hard disk), communication interface **1420** (e.g., network adapter) for communicating with one or more other systems, and peripheral devices **1425**, such as cache, other memory, data storage and/or electronic display adapters. The memory **1410**, storage unit **1415**, interface **1420** and peripheral devices **1425** are in communication with the CPU **1405** through a communication bus (solid lines), such as a motherboard. The storage unit **1415** comprises a data storage unit (or data repository) for storing data. The digital processing device **1401** is optionally operatively coupled to a computer network (“network”) **1430** with the aid of the communication interface **1420**. The network **1430**, in various cases, is the internet, an internet, and/or extranet, or an intranet and/or extranet that is in communication with the internet. The network **1430**, in some cases, is a telecommunication and/or data network. The network **1430** optionally includes one or more computer servers, which enable distributed computing, such as cloud computing. The network **1430**, in some cases, with the aid of the device **1401**, implements a peer-to-peer network, which enables devices coupled to the device **1401** to behave as a client or a server.

[0107] Continuing to refer to **FIG. 14**, the CPU **1405** is configured to execute a sequence of machine-readable instructions, embodied in a program, application, and/or software. The instructions are optionally stored in a memory location, such as the memory **1410**. The instructions are directed to the CPU **105**, which subsequently program or otherwise configure the CPU **1405** to implement methods of the present disclosure. Examples of operations performed by the CPU **1405** include fetch, decode, execute, and write back. The CPU **1405** is, in some cases, part of a circuit, such as an integrated circuit. One or more other components of the device **1401** are optionally included in the circuit. In some cases, the circuit is an application specific integrated circuit (ASIC) or a field programmable gate array (FPGA).

[0108] Continuing to refer to **FIG. 14**, the storage unit **1415** optionally stores files, such as drivers, libraries and saved programs. The storage unit **1415** optionally stores user data, e.g., user preferences and user programs. The digital processing device **1401**, in some cases, includes one or more additional data storage units that are external, such as located on a remote server that is in communication through an intranet or the internet.

[0109] Continuing to refer to **FIG. 14**, the digital processing device **1401** optionally communicates with one or more remote computer systems through the network **1430**. For instance, the device **1401** optionally communicates with a remote computer system of a user. Examples of remote computer systems include personal computers (e.g., portable PC), slate or tablet PCs (e.g., Apple[®] iPad, Samsung[®] Galaxy Tab, etc.), smartphones (e.g., Apple[®] iPhone, Android-enabled device, Blackberry[®], etc.), or personal digital assistants.

[0110] Methods as described herein are optionally implemented by way of machine (e.g., computer processor) executable code stored on an electronic storage location of the digital processing device **101**, such as, for example, on the memory **1410** or electronic storage unit **1415**. The machine executable or machine readable code is optionally provided in the form of software. During use, the code is executed by the processor **1405**. In some cases, the code is retrieved from the storage unit **1415** and stored on the memory **1410** for ready access by the processor **1405**. In some situations, the electronic storage unit **1415** is precluded, and machine-executable instructions are stored on the memory **1410**.

Non-transitory computer readable storage medium

[0111] In some embodiments, the platforms, systems, media, and methods disclosed herein include one or more non-transitory computer readable storage media encoded with a program including instructions executable by the operating system of an optionally networked digital processing device. In further embodiments, a computer readable storage medium is a tangible component of a digital processing device. In still further embodiments, a computer readable storage medium is optionally removable from a digital processing device. In some embodiments, a computer readable storage medium includes, by way of non-limiting examples, CD-ROMs, DVDs, flash memory devices, solid state memory, magnetic disk drives, magnetic tape drives, optical disk drives, cloud computing systems and services, and the like. In some cases, the program and instructions are permanently, substantially permanently, semi-permanently, or non-transitorily encoded on the media.

Computer program

[0112] In some embodiments, the platforms, systems, media, and methods disclosed herein include at least one computer program, or use of the same. A computer program includes a sequence of instructions, executable in the digital processing device's CPU, written to perform a specified task. Computer readable instructions may be implemented as program modules, such as functions, objects, Application Programming Interfaces (APIs), data structures, and the like, that perform particular tasks or implement particular abstract data types. In light of the disclosure provided herein, those of skill in the art will recognize that a computer program may be written in various versions of various languages.

[0113] The functionality of the computer readable instructions may be combined or distributed as desired in various environments. In some embodiments, a computer program comprises one sequence of instructions. In some embodiments, a computer program comprises a plurality of sequences of instructions. In some embodiments, a computer program is provided from one location. In other embodiments, a computer program is provided from a plurality of locations. In various embodiments, a computer program includes one or more software modules. In various embodiments, a computer program includes, in part or in whole, one or more web applications, one or more mobile applications, one or more standalone applications, one or more web browser plug-ins, extensions, add-ins, or add-ons, or combinations thereof.

Web application

[0114] In some embodiments, a computer program includes a web application. In light of the disclosure provided herein, those of skill in the art will recognize that a web application, in various embodiments, utilizes one or more software frameworks and one or more database systems. In some embodiments, a web application is created upon a software framework such as Microsoft[®] .NET or Ruby on Rails (RoR). In some embodiments, a web application utilizes one or more database systems including, by way of non-limiting examples, relational, non-relational, object oriented, associative, and XML database systems. In further embodiments, suitable relational database systems include, by way of non-limiting examples, Microsoft[®] SQL Server, MySQL[™], and Oracle[®]. Those of skill in the art will also recognize that a web application, in various embodiments, is written in one or more versions of one or more languages. A web application may be written in one or more markup languages, presentation definition languages, client-side scripting languages, server-side coding languages, database query languages, or combinations thereof. In some embodiments, a web

application is written to some extent in a markup language such as Hypertext Markup Language (HTML), Extensible Hypertext Markup Language (XHTML), or eXtensible Markup Language (XML). In some embodiments, a web application is written to some extent in a presentation definition language such as Cascading Style Sheets (CSS). In some embodiments, a web application is written to some extent in a client-side scripting language such as Asynchronous Javascript and XML (AJAX), Flash[®] ActionScript, JavaScript, or Silverlight[®]. In some embodiments, a web application is written to some extent in a server-side coding language such as Active Server Pages (ASP), ColdFusion[®], Perl, Java[™], JavaServer Pages (JSP), Hypertext Preprocessor (PHP), Python[™], Ruby, Tcl, Smalltalk, WebDNA[®], or Groovy. In some embodiments, a web application is written to some extent in a database query language such as Structured Query Language (SQL). In some embodiments, a web application integrates enterprise server products such as IBM[®] Lotus Domino[®]. In some embodiments, a web application includes a media player element. In various further embodiments, a media player element utilizes one or more of many suitable multimedia technologies including, by way of non-limiting examples, Adobe[®] Flash[®], HTML 5, Apple[®] QuickTime[®], Microsoft[®] Silverlight[®], Java[™], and Unity[®].

[0115] Referring to **FIG. 15**, in a particular embodiment, an application provision system comprises one or more databases **1500** accessed by a relational database management system (RDBMS) **1510**. Suitable RDBMSs include Firebird, MySQL, PostgreSQL, SQLite, Oracle Database, Microsoft SQL Server, IBM DB2, IBM Informix, SAP Sybase, SAP Sybase, Teradata, and the like. In this embodiment, the application provision system further comprises one or more application servers **1520** (such as Java servers, .NET servers, PHP servers, and the like) and one or more web servers **1530** (such as Apache, IIS, GWS and the like). The web server(s) optionally expose one or more web services via application programming interfaces (APIs) **1540**. Via a network, such as the internet, the system provides browser-based and/or mobile native user interfaces.

[0116] Referring to **FIG. 16**, in a particular embodiment, an application provision system alternatively has a distributed, cloud-based architecture **1600** and comprises elastically load balanced, auto-scaling web server resources **1610**, and application server resources **1620** as well synchronously replicated databases **1630**.

Platform for Autonomously or Semi-Autonomously Delivering a Second Item to a Customer

[0117] Provided herein per **FIG. 17**, is a platform for autonomously or semi-autonomously delivering a second item to a customer, the platform comprising: an autonomous or semi-

autonomous vehicle **1710** and a non-transitory computer-readable storage media encoded with a computer program including instructions executable by a processor to create an application **1750**.

[0118] The autonomous or semi-autonomous vehicle **1710** may comprise a locking compartment **1720**, an input device **1730**, and an autonomous or semi-autonomous or semi-autonomous propulsion system **1740**.

[0119] The locking compartment **1720** may be configured to contain and secure at least one of a first item and at least one of a second item. The compartment **1720** may comprise a sensor **1723** configured to detect an absence of at least one of the first item and the second item. In some embodiments, the sensor **1723** comprises at least one of a thermometer, a barcode scanner, an RFID reader, a scale, a pressure sensor **1723**, a switch, and a camera. In some embodiments, the locking compartment **1720** is configured to contain and secure 2 or more first items, 2 or more second items, or both. In some embodiments, the locking compartment **1720** further comprises a vending mechanism configured to vend at least one of the first item and the second item. In some embodiments, the first item comprises a plurality of first items. In some embodiments the second item comprises a plurality of second items, or both.

[0120] The input device **1730** may be configured to receive at least one of a customer verification and a selection of the second item by the customer. In some embodiments, the input device **1730** comprises Wi-Fi input device **1730**, a Bluetooth input device **1730**, a cellular input device **1730**, a button, a touchscreen, a camera, a USB input, a keyboard, or any combination thereof.

[0121] The application **1750** may comprise an ordering module **1751**, a delivery module **1752**, a customer verification module **1753**, and a release detection module **1754**. In some embodiments, at least a portion of the application **1750** is performed aboard the vehicle. In some embodiments, the processor resides aboard the vehicle.

[0122] The ordering module **1751** may be configured to receive an order from the customer. The order may comprise the first item and a customer location.

[0123] The delivery module **1752** may control the autonomous or semi-autonomous propulsion system **1740**. The delivery module **1752** may control the autonomous or semi-autonomous propulsion system **1740** to direct the autonomous or semi-autonomous vehicle **1710** to the customer location.

[0124] The customer verification module **1753** may confirm an identity of the customer. The customer verification module **1753** may confirm an identity of the customer based on the

customer verification. The customer verification module **1753** may further unlock the locking compartment **1720**. The customer verification module **1753** may unlock the locking compartment **1720** based on the confirmation of the identity of the customer.

[0125] The release detection module **1754** may determine that first item has been removed from the compartment **1720**. The release detection module **1754** may determine that first item has been removed from the compartment **1720** based on the absence of the first item. The release detection module **1754** may further or alternatively determine that second item has been removed from the compartment **1720**. The release detection module **1754** may further or alternatively determine that second item has been removed from the compartment **1720** based on the absence of the second item.

[0126] In some embodiments, the application **1750** further comprises a database module. The database may comprise a customer data. The customer data may be associated with the customer. The application **1750** may further comprise a prediction module. The prediction module may be configured to determine the second item. The prediction module may be configured to determine the second item based at least on the first item and the customer data. In some embodiments, the prediction module determines the second item by a machine learning algorithm. In some embodiments, the prediction module is further configured to send a loading instruction to a loading administrator. In some embodiments, the prediction module sends the loading instruction to a loading administrator based on the determination of the second item.

[0127] In some embodiments, the database module comprises a plurality of unique identifiers. The plurality of unique identifiers may comprise at least a first identification and a second identification. The first identification may be associated with the first item. The second identification may be associated with the second item. In some embodiments, the first item comprises a first indicator. The first indicator may be associated with the first identification. In some embodiments, the second item comprises a second indicator. The second indicator may be associated with the second identification. In some embodiments, the release detection module **1754** detects that first item has been removed by detecting the first indicator. In some embodiments, the release detection module **1754** detects that second item has been removed by detecting the second indicator.

[0128] In some embodiments the platform further comprises a communication device configured to receive an instruction from a fleet management module. In some embodiments, the instruction comprises at least one of the customer location, and the customer verification.

[0129] In some embodiments the platform further comprises at least one of an energy storage device, and an energy collection device. In some embodiments the platform further comprises a screen. The screen may be configured to display a media. In some embodiments, the media comprises a media based on the first item, a media associated with the second item, a price associated with the first item, a price associated with the second item, the selection, the order, the absence of the first item, the absence of the second item, the customer location, the customer verification, or any combination thereof.

[0130] In some embodiments, the application 1750 further comprises a payment module. The payment module may be configured to charge the customer based on the first item being removed from the compartment 1720, that second item being removed from the compartment 1720, or both.

Locking Compartment

[0131] The locking compartment may be configured to contain and secure at least one of a first item and a second item. The locking compartment may comprise a lock comprising a magnet, an actuator, a solenoid, a gear, a pulley, a belt, or any combination thereof. The compartment may comprise a sensor configured to detect an absence of at least one of the first item and the second item. In some embodiments, the locking compartment is configured to contain and secure 2 or more first items, 2 or more second items, or both. In some embodiments, the locking compartment further comprises a vending mechanism configured to vend at least one of the first item and the second item. In some embodiments, the first item comprises a plurality of items. In some embodiments, the second item comprises a plurality of items. The compartment may comprise 2, 3, 4, 5, 6, 8, 10, 12, 15, 20, 25, 30, 40, 50, or more compartments, including increments therein. One or more of the compartments may be configured with the same size, the same shape, or both. One or more of the compartments may be configured with the different sizes, shapes, or both. Each compartment may comprise one or more inserts to secure at least one of the first item and the second item.

Sensor

[0132] The sensor configured to detect an absence of at least one of the first item and the second item. In some embodiments, the sensor comprises at least one of a thermometer, a barcode scanner, an RFID reader, a scale, a pressure sensor, a switch, and a camera. The compartment may comprise one or more sensors. The compartment may comprise 2, 3, 4, 5, 6, 8, 10, 12, 15, 20, 25, 30, 40, 50, or more sensors, including increments therein. Two or

more sensors may work in parallel to detect the absence of the of the first item, the absence of the second item, or both. The two or more sensors working in parallel may comprise different types of sensors. The two or more sensors working in parallel may comprise two or more sensors that are configured to measure a data associated with the absence of the first item, the second item, or both.

Input Device

[0133] The input device may be configured to receive at least one of a customer verification and a selection of the second item by the customer. In some embodiments, the input device comprises Wi-Fi input device, a Bluetooth input device, a cellular input device, a button, a touchscreen, a camera, a USB input, a keyboard, or any combination thereof. In some embodiments, the input device is on the autonomous or semi-autonomous vehicle. In additional embodiments, the input device is configured to receive signal from a user or customer cellular phone. In further embodiments, the input device is configured to connect the user or customer cellular phone with the autonomous or semi-autonomous vehicle. The input device may be configured to prevent fraud, tampering, or both. The input device may receive the customer verification from an administrator, from a registered mobile application associated with the customer, or both. The input device may be further configured to receive a selection of the first item. In additional embodiments, the input device is configured to receive a selection of a plurality of items. The input device may be further configured to receive a payment method. The payment method may comprise a credit card slot, a mobile phone based payment method, or both.

Ordering Module

[0134] The ordering module may be configured to receive an order from the customer. The order may comprise the first item and a customer location. The order may comprise one or more of the first items. The order may further comprise a third item, a fourth item, a fifth item or any number of additional items. The customer location may comprise a GPS coordinate, a street address, a cross-street, a locker, or any combination thereof. The ordering module may receive the order from a mobile processor, a server processor, or any combination thereof. The ordering module may associate the first item with a first item price. The ordering module may request an upcharge or fee based on the customer location. The order may further comprise a delivery time or delivery time period.

Delivery Module

[0135] The delivery module may control the autonomous or semi-autonomous propulsion system. The delivery module may control the autonomous or semi-autonomous propulsion system to direct the autonomous or semi-autonomous vehicle to the customer location. The delivery module may control the autonomous or semi-autonomous propulsion system to direct the autonomous or semi-autonomous vehicle to the customer location by a route. The delivery module may determine the route to the customer location that is shortest in distance, time, energy expenditure, or any combination thereof. The delivery module may determine the route for two or more orders, wherein the route comprises the customer location for the customer associated with each order. The order may control the autonomous or semi-autonomous propulsion system to direct the autonomous or semi-autonomous vehicle to arrive at the customer location at or during the delivery time period.

Customer Verification Module

[0136] The customer verification module may confirm an identity of the customer. The customer verification module may confirm an identity of the customer based on the customer verification. The customer verification module may further unlock the locking compartment. The customer verification module may unlock the locking compartment based on the confirmation of the identity of the customer. The identity of the customer may comprise a name, a birthdate, a social security number, a credit card number, a user account number, a username, a password, a pin, a voice identification, a facial identification, an iris identification, a handprint, a fingerprint, or any combination thereof.

Release Detection Module

[0137] The release detection module may determine that first item has been removed from the compartment. The release detection module may determine that first item has been removed from the compartment based on the absence of the first item. The release detection module may determine that first item has been removed from the compartment based on the absence of the first item for a set absence period of time. The set absence period may be 30 seconds, 1 minute, 2 minutes, 3 minutes, 4 minutes, 5 minutes, 10 minutes, 15 minutes, 20 minutes, 30 minutes, or more. The release detection module may determine that first item has been removed from the compartment based on the absence of the first item and once the vehicle, the customer, or both departs.

[0138] The release detection module may further or alternatively determine that second item has been removed from the compartment. The release detection module may further or alternatively determine that second item has been removed from the compartment based on the absence of the second item. The release detection module may determine that second item has been removed from the compartment based on the absence of the second item for a set absence period of time. The set absence period may be 30 seconds, 1 minute, 2 minutes, 3 minutes, 4 minutes, 5 minutes, 10 minutes, 15 minutes, 20 minutes, 30 minutes, or more. The release detection module may determine that second item has been removed from the compartment based on the absence of the second item and once the vehicle, the customer, or both departs.

Database Module

[0139] The database may comprise a customer data. The customer data may be associated with the customer. In some embodiments, the database module comprises a plurality of unique identifiers. The plurality of unique identifiers may comprise at least a first identification and a second identification. The first identification may be associated with the first item. The second identification may be associated with the second item. In some embodiments, the first item comprises a first indicator. The first indicator may be associated with the first identification. In some embodiments, the second item comprises a second indicator. The second indicator may be associated with the second identification. In some embodiments, the release detection module detects that first item has been removed by detecting the first indicator. In some embodiments, the release detection module detects that second item has been removed by detecting the second indicator. At least one of the first indicator and the second indicator may comprise a barcode, a label, and an RFID chip.

[0140] In view of the disclosure provided herein, those of skill in the art will recognize that many databases are suitable for autonomous or semi-autonomous vehicles. In various embodiments, suitable databases include, by way of non-limiting examples, relational databases, non-relational databases, object oriented databases, object databases, entity-relationship model databases, associative databases, and XML databases. Further non-limiting examples include SQL, PostgreSQL, MySQL, Oracle, DB2, and Sybase. In some embodiments, a database is internet-based. In further embodiments, a database is web-based. In still further embodiments, a database is cloud computing-based. In other embodiments, a database is based on one or more local computer storage devices.

Prediction Module

[0141] The prediction module may be configured to determine the second item. The prediction module may be configured to determine the second item based at least on the first item and the customer data. In some embodiments, the prediction module determines the second item by a machine learning algorithm, a rule based algorithm, or both. In some embodiments, the prediction module may be further configured to send a loading instruction to a loading administrator. In some embodiments, the prediction module sends the loading instruction to a loading administrator based on the determination of the second item. The prediction module may be configured to determine a plurality of second items. The prediction module may be configured to determine a primary second item, a secondary second item different than the first secondary item, or more second items different than the primary second item and the secondary second item. The prediction module may be further configured to determine an upcharge, associated with the second item. The prediction module may be further configured to determine a bundling price plan associated with the first item and the second item.

Communication Device

[0142] In some embodiments the platform further comprises a communication device configured to receive an instruction from a fleet management module. In some embodiments, the instruction comprises at least one of the customer location, and the customer verification. The communication device may comprise a wired communication device, a Wi-Fi communication device, a cellular communication device, a Bluetooth communication device, a radio communication device, or any combination thereof. The communication device may comprise a plurality of communication devices. The plurality of communication device may work in series, in parallel, or in a mesh network.

Payment Module

[0143] The payment module may be configured to charge the customer based on the first item being removed from the compartment, that second item being removed from the compartment, or both. The payment module may be configured to receive and store a payment method associated with the customer. The payment module may comprise a wireless payment module, credit card payment module, bitcoin payment module or similar payment methods using blockchain, or a cash payment module.

Mobile Application

[0144] In some embodiments, a computer program includes a mobile application provided to a mobile digital processing device. In some embodiments, the mobile application is provided to a mobile digital processing device at the time it is manufactured. In other embodiments, the mobile application is provided to a mobile digital processing device via the computer network described herein.

[0145] In view of the disclosure provided herein, a mobile application is created by techniques known to those of skill in the art using hardware, languages, and development environments known to the art. Those of skill in the art will recognize that mobile applications are written in several languages. Suitable programming languages include, by way of non-limiting examples, C, C++, C#, Objective-C, Java™, Javascript, Pascal, Object Pascal, Python™, Ruby, VB.NET, WML, and XHTML/HTML with or without CSS, or combinations thereof.

[0146] Suitable mobile application development environments are available from several sources. Commercially available development environments include, by way of non-limiting examples, AirplaySDK, alcheMo, Appcelerator®, Celsius, Bedrock, Flash Lite, .NET Compact Framework, Rhomobile, and WorkLight Mobile Platform. Other development environments are available without cost including, by way of non-limiting examples, Lazarus, MobiFlex, MoSync, and Phonegap. Also, mobile device manufacturers distribute software developer kits including, by way of non-limiting examples, iPhone and iPad (iOS) SDK, Android™ SDK, BlackBerry® SDK, BREW SDK, Palm® OS SDK, Symbian SDK, webOS SDK, and Windows® Mobile SDK.

[0147] Those of skill in the art will recognize that several commercial forums are available for distribution of mobile applications including, by way of non-limiting examples, Apple® App Store, Google® Play, Chrome WebStore, BlackBerry® App World, App Store for Palm devices, App Catalog for webOS, Windows® Marketplace for Mobile, Ovi Store for Nokia® devices, Samsung® Apps, and Nintendo® DSi Shop.

Standalone Application

[0148] In some embodiments, a computer program includes a standalone application, which is a program that is run as an independent computer process, not an add-on to an existing process, e.g., not a plug-in. Those of skill in the art will recognize that standalone applications are often compiled. A compiler is a computer program(s) that transforms source code written in a programming language into binary object code such as assembly language

or machine code. Suitable compiled programming languages include, by way of non-limiting examples, C, C++, Objective-C, COBOL, Delphi, Eiffel, Java™, Lisp, Python™, Visual Basic, and VB .NET, or combinations thereof. Compilation is often performed, at least in part, to create an executable program. In some embodiments, a computer program includes one or more executable compiled applications.

Web Browser Plug-in

[0149] In some embodiments, the computer program includes a web browser plug-in (e.g., extension, etc.). In computing, a plug-in is one or more software components that add specific functionality to a larger software application. Makers of software applications support plug-ins to enable third-party developers to create abilities which extend an application, to support easily adding new features, and to reduce the size of an application. When supported, plug-ins enable customizing the functionality of a software application. For example, plug-ins are commonly used in web browsers to play video, generate interactivity, scan for viruses, and display particular file types. Those of skill in the art will be familiar with several web browser plug-ins including, Adobe® Flash® Player, Microsoft® Silverlight®, and Apple® QuickTime®.

[0150] In view of the disclosure provided herein, those of skill in the art will recognize that several plug-in frameworks are available that enable development of plug-ins in various programming languages, including, by way of non-limiting examples, C++, Delphi, Java™, PHP, Python™, and VB .NET, or combinations thereof.

[0151] Web browsers (also called Internet browsers) are software applications, designed for use with network-connected digital processing devices, for retrieving, presenting, and traversing information resources on the World Wide Web. Suitable web browsers include, by way of non-limiting examples, Microsoft® Internet Explorer®, Mozilla® Firefox®, Google® Chrome, Apple® Safari®, Opera Software® Opera®, and KDE Konqueror. In some embodiments, the web browser is a mobile web browser. Mobile web browsers (also called microbrowsers, mini-browsers, and wireless browsers) are designed for use on mobile digital processing devices including, by way of non-limiting examples, handheld computers, tablet computers, netbook computers, subnotebook computers, smartphones, music players, personal digital assistants (PDAs), and handheld video game systems. Suitable mobile web browsers include, by way of non-limiting examples, Google® Android® browser, RIM BlackBerry® Browser, Apple® Safari®, Palm® Blazer, Palm® WebOS® Browser, Mozilla®

Firefox[®] for mobile, Microsoft[®] Internet Explorer[®] Mobile, Amazon[®] Kindle[®] Basic Web, Nokia[®] Browser, Opera Software[®] Opera[®] Mobile, and Sony[®] PSP[™] browser.

Software Modules

[0152] In some embodiments, the platforms, systems, media, and methods disclosed herein include software, server, and/or database modules, or use of the same. In view of the disclosure provided herein, software modules are created by techniques known to those of skill in the art using machines, software, and languages known to the art. The software modules disclosed herein are implemented in a multitude of ways. In various embodiments, a software module comprises a file, a section of code, a programming object, a programming structure, or combinations thereof. In further various embodiments, a software module comprises a plurality of files, a plurality of sections of code, a plurality of programming objects, a plurality of programming structures, or combinations thereof. In various embodiments, the one or more software modules comprise, by way of non-limiting examples, a web application, a mobile application, and a standalone application. In some embodiments, software modules are in one computer program or application. In other embodiments, software modules are in more than one computer program or application. In some embodiments, software modules are hosted on one machine. In other embodiments, software modules are hosted on more than one machine. In further embodiments, software modules are hosted on cloud computing platforms. In some embodiments, software modules are hosted on one or more machines in one location. In other embodiments, software modules are hosted on one or more machines in more than one location.

Databases

[0153] In some embodiments, the platforms, systems, media, and methods disclosed herein include one or more databases, or use of the same. In view of the disclosure provided herein, those of skill in the art will recognize that many databases are suitable for autonomous or semi-autonomous vehicles. In various embodiments, suitable databases include, by way of non-limiting examples, relational databases, non-relational databases, object oriented databases, object databases, entity-relationship model databases, associative databases, and XML databases. Further non-limiting examples include SQL, PostgreSQL, MySQL, Oracle, DB2, and Sybase. In some embodiments, a database is internet-based. In further embodiments, a database is web-based. In still further embodiments, a database is cloud

computing-based. In other embodiments, a database is based on one or more local computer storage devices.

Terms and Definitions

[0154] As used herein, the terms “fleet,” “sub-fleet,” and like terms are used to indicate a number of land vehicles, watercraft, or aircraft operating together or under the same ownership. In some embodiments the fleet or sub-fleet is engaged in the same activity. In some embodiments, the fleet or sub-fleet are engaged in similar activities. In some embodiments, the fleet, or sub-fleet are engaged in different activities.

[0155] As used herein, the terms “autonomous vehicle,” “autonomous vehicle fleet,” “vehicle,” “all-terrain vehicle,” and like terms are used to indicate a mobile machine that transports cargo. Typical vehicles include cars, wagons, vans, unmanned motor vehicles (e.g., tricycles, trucks, trailers, buses, etc.), unmanned railed vehicles (e.g., trains, trams, etc.), unmanned watercraft (e.g., ships, boats, ferries, landing craft, barges, rafts, etc.), aerial drones, unmanned hovercraft (air, land and water types), unmanned aircraft, and even including unmanned spacecraft.

[0156] As used herein, the terms “user,” “operator,” “fleet operator,” and like terms are used to indicate the entity that owns or is responsible for managing and operating the autonomous or semi-autonomous vehicle fleet.

[0157] As used herein, the term “customer” and like terms are used to indicate the entity that requests the services provided the autonomous or semi-autonomous vehicle fleet.

[0158] As used herein, the terms “provider,” “business,” “vendor,” “third party vendor,” and like terms are used to indicate an entity that works in concert with the fleet owner or operator to utilize the services of the autonomous or semi-autonomous vehicle fleet to deliver the provider’s product from and or return the provider’s product to the provider’s place of business or staging location.

[0159] As used herein, the terms “server,” “computer server,” “central server,” “main server,” and like terms are used to indicate a computer or device on a network that manages the fleet resources, namely the autonomous or semi-autonomous vehicles.

[0160] As used herein, the term “controller” and like terms are used to indicate a device that controls the transfer of data from a computer to a peripheral device and vice versa. For example, disk drives, display screens, keyboards, and printers all require controllers. In personal computers, the controllers are often single chips. As used herein the controller is

commonly used for managing access to components of the autonomous or semi-autonomous vehicle such as the securable compartments.

[0161] As used herein a “mesh network” is a network topology in which each node relays data for the network. All mesh nodes cooperate in the distribution of data in the network. It can be applied to both wired and wireless networks. Wireless mesh networks can be considered a type of “Wireless *ad hoc*” network. Thus, wireless mesh networks are closely related to Mobile ad hoc networks (MANETs). Although MANETs are not restricted to a specific mesh network topology, Wireless ad hoc networks or MANETs can take any form of network topology. Mesh networks can relay messages using either a flooding technique or a routing technique. With routing, the message is propagated along a path by hopping from node to node until it reaches its destination. To ensure that all its paths are available, the network must allow for continuous connections and must reconfigure itself around broken paths, using self-healing algorithms such as Shortest Path Bridging. Self-healing allows a routing-based network to operate when a node breaks down or when a connection becomes unreliable. As a result, the network is typically quite reliable, as there is often more than one path between a source and a destination in the network. This concept can also apply to wired networks and to software interaction. A mesh network whose nodes are all connected to each other is a fully connected network.

[0162] As used herein, the term “module” and like terms are used to indicate a self-contained hardware component of the central server, which in turn comprises software modules. In software, a module is a part of a program. Programs are composed of one or more independently developed modules that are not combined until the program is linked. A single module can contain one or several routines, or sections of programs that perform a particular task. As used herein the fleet management module comprises software modules for managing various aspects and functions of the autonomous or semi-autonomous vehicle fleet.

[0163] As used herein, the terms “processor,” “digital processing device,” and like terms are used to indicate a microprocessor or central processing unit (CPU). The CPU is the electronic circuitry within a computer that carries out the instructions of a computer program by performing the basic arithmetic, logical, control and input/output (I/O) operations specified by the instructions.

[0164] In accordance with the description herein, suitable digital processing devices include, by way of non-limiting examples, server computers, desktop computers, laptop computers, notebook computers, sub-notebook computers, netbook computers, netpad computers, set-top computers, handheld computers, Internet appliances, mobile smartphones, tablet computers,

personal digital assistants, video game consoles, and vehicles. Those of skill in the art will recognize that many smartphones are suitable for use in the system described herein. Suitable tablet computers include those with booklet, slate, and convertible configurations, known to those of skill in the art.

[0165] In some embodiments, the digital processing device includes an operating system configured to perform executable instructions. The operating system is, for example, software, including programs and data, which manages the device's hardware and provides services for execution of applications. Those of skill in the art will recognize that suitable server operating systems include, by way of non-limiting examples, FreeBSD, OpenBSD, NetBSD[®], Linux, Apple[®] Mac OS X Server[®], Oracle[®] Solaris[®], Windows Server[®], and Novell[®] NetWare[®]. Those of skill in the art will recognize that suitable personal computer operating systems include, by way of non-limiting examples, Microsoft[®] Windows[®], Apple[®] Mac OS X[®], UNIX[®], and UNIX-like operating systems such as GNU/Linux[®]. In some embodiments, the operating system is provided by cloud computing. Those of skill in the art will also recognize that suitable mobile smart phone operating systems include, by way of non-limiting examples, Nokia[®] Symbian[®] OS, Apple[®] iOS[®], Research In Motion[®] BlackBerry OS[®], Google[®] Android[®], Microsoft[®] Windows Phone[®] OS, Microsoft[®] Windows Mobile[®] OS, Linux[®], and Palm[®] WebOS[®].

[0166] In some embodiments, the device includes a storage and/or memory device. The storage and/or memory device is one or more physical apparatus used to store data or programs on a temporary or permanent basis. In some embodiments, the device is volatile memory and requires power to maintain stored information. In some embodiments, the device is non-volatile memory and retains stored information when the digital processing device is not powered. In some embodiments, the non-volatile memory comprises flash memory. In some embodiments, the non-volatile memory comprises dynamic random-access memory (DRAM). In some embodiments, the non-volatile memory comprises ferroelectric random access memory (FRAM). In some embodiments, the non-volatile memory comprises phase-change random access memory (PRAM). In some embodiments, the device is a storage device including, by way of non-limiting examples, CD-ROMs, DVDs, flash memory devices, magnetic disk drives, magnetic tapes drives, optical disk drives, and cloud computing based storage. In some embodiments, the storage and/or memory device is a combination of devices such as those disclosed herein.

[0167] In some embodiments, the digital processing device includes a display to send visual information to a user. In some embodiments, the display is a cathode ray tube (CRT). In some

embodiments, the display is a liquid crystal display (LCD). In some embodiments, the display is a thin film transistor liquid crystal display (TFT-LCD). In some embodiments, the display is an organic light emitting diode (OLED) display. In various some embodiments, on OLED display is a passive-matrix OLED (PMOLED) or active-matrix OLED (AMOLED) display. In some embodiments, the display is a plasma display. In some embodiments, the display is a video projector. In some embodiments, the display is interactive (e.g., having a touch screen or a sensor such as a camera, a 3D sensor, a LiDAR, a radar, etc.) that can detect user interactions/gestures/responses and the like. In still some embodiments, the display is a combination of devices such as those disclosed herein.

EXAMPLE – Upselling a Baseball Mitt When Customer Purchases a Baseball Bat Using an Autonomous Vehicle

[0168] In one example, an ordering module of the platform receives an order from Sam for a baseball bat to 123 A Street. The prediction module determines that given Sam's order and purchase history, he may also want to purchase a baseball mitt. The delivery module then controls the autonomous or semi-autonomous propulsion system of one or more of the autonomous or semi-autonomous vehicle to deliver the baseball bat and the baseball mitt to 123 A Street. Once the vehicle arrives at 123 A Street, the customer verification module confirms that the person waiting to pick up the order is in-fact Sam. The customer verification module then unlocks the locking compartment. Sam removes the baseball bat and decides to keep it. Sam then removes and inspects the baseball mitt, decides not to purchase the mitt and returns it to the compartment. A release detection module determines that the baseball bat has been removed based on an absence of the baseball bat, and determines that the baseball mitt has been returned and is not absent. The payment module then charges Sam for the price of the baseball bat.

CLAIMS

WHAT IS CLAIMED IS:

1. A platform for autonomously or semi-autonomously delivering a second item to a customer, the platform comprising:
 - a) an autonomous or semi-autonomous vehicle comprising:
 - (i) a locking compartment configured to contain and secure at least one of a first item and at least one of a second item, wherein the locking compartment comprises a sensor configured to detect an absence of at least one of the first item and the second item;
 - (ii) an input device configured to receive at least one of a customer verification and a selection of the second item by the customer; and
 - (iii) an autonomous or semi-autonomous or semi-autonomous propulsion system; and
 - b) the platform further comprising a non-transitory computer-readable storage media encoded with a computer program including instructions executable by a processor to create an application comprising:
 - (i) an ordering module configured to receive an order from the customer, the order comprising the first item and a customer location;
 - (ii) a delivery module controlling the autonomous or semi-autonomous propulsion system to direct the autonomous or semi-autonomous vehicle to the customer location; and
 - (iii) a customer verification module confirming an identity of the customer based on the customer verification and unlocking the locking compartment based on the confirmation of the identity of the customer; and
 - (iv) a release detection module determining that first item has been removed from the compartment based on the absence of the first item, determining that second item has been removed from the compartment based on the absence of the second item, or both.
2. The platform of claim 1, wherein the sensor comprises at least one of a barcode scanner, an RFID reader, a scale, a pressure sensor, a switch, and a camera.

3. The platform of claim 1, wherein the input device comprises Wi-Fi input device, a Bluetooth input device, a cellular input device, a button, a touchscreen, a camera, a USB input, a keyboard, or any combination thereof
4. The platform of claim 1, wherein the application further comprises a database module
5. The platform of claim 4, wherein the database comprises a customer data associated with the customer, and wherein the application further comprises a prediction module configured to determine the second item based at least on the first item and the customer data.
6. The platform of claim 5, wherein the prediction module determines the second item by a machine learning algorithm.
7. The platform of claim 5, wherein the prediction module is further configured to send a loading instruction to a loading administrator based on the determination of the second item.
8. The platform of claim 4, wherein the database module comprises a plurality of unique identifiers comprising at least a first identification and a second identification, wherein the first identification is associated with the first item, and wherein the second identification is associated with the second item.
9. The platform of claim 8, wherein the first item comprises a first indicator associated with the first identification, the second item comprises a second indicator associated with the second identification, or both.
10. The platform of claim 9, wherein the release detection module detects that first item has been removed by detecting the first indicator and release detection module detects that second item has been removed by detecting the second indicator.
11. The platform of claim 1, wherein the locking compartment is configured to contain and secure 2 or more first items, 2 or more second items, or both.
12. The platform of claim 1, wherein the locking compartment further comprises a vending mechanism configured to vend at least one of the first item and the second item.
13. The platform of claim 1, further comprising a communication device configured to receive an instruction from a fleet management module.

14. The platform of claim 13, wherein the instruction comprises at least one of the customer location, and the customer verification.
15. The platform of claim 1, further comprising at least one of an energy storage device, and an energy collection device.
16. The platform of claim 1, further comprising a screen configured to display a media.
17. The platform of claim 16, wherein the media comprises a media based on the first item, a media associated with the second item, a price associated with the first item, a price associated with the second item, the selection, the order, the absence of the first item, the absence of the second item, the customer location, the customer verification, or any combination thereof.
18. The platform of claim 1, wherein the application further comprises a payment module configured to charge the customer based on the first item being removed from the compartment, that second item being removed from the compartment, or both.
19. The platform of claim 1, wherein at least a portion of the application is performed aboard the vehicle.
20. The platform of claim 1, wherein the processor resides aboard the vehicle.
21. The platform of claim 1, wherein the first item comprises a plurality of first items, the second item comprises a plurality of second items, or both.

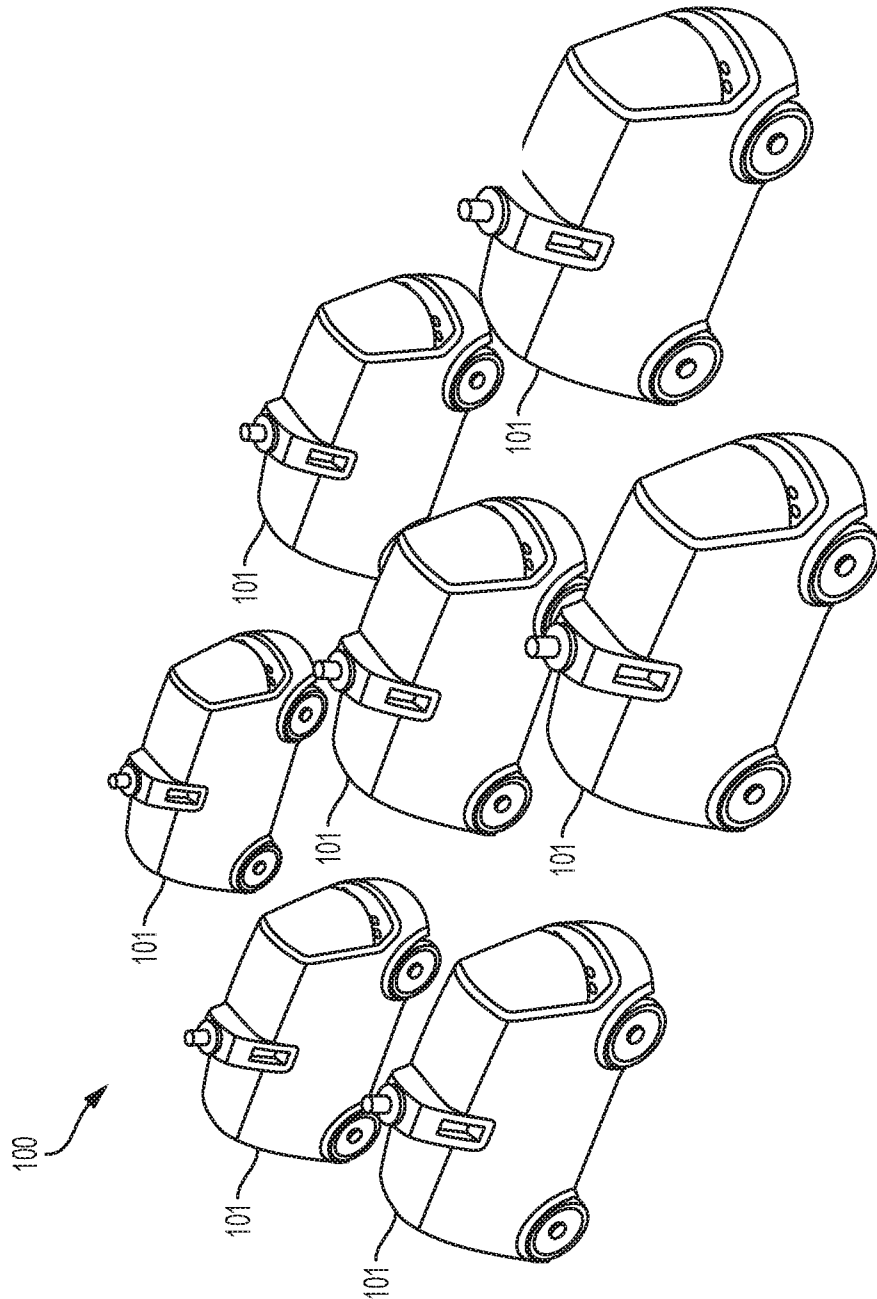


FIG. 1

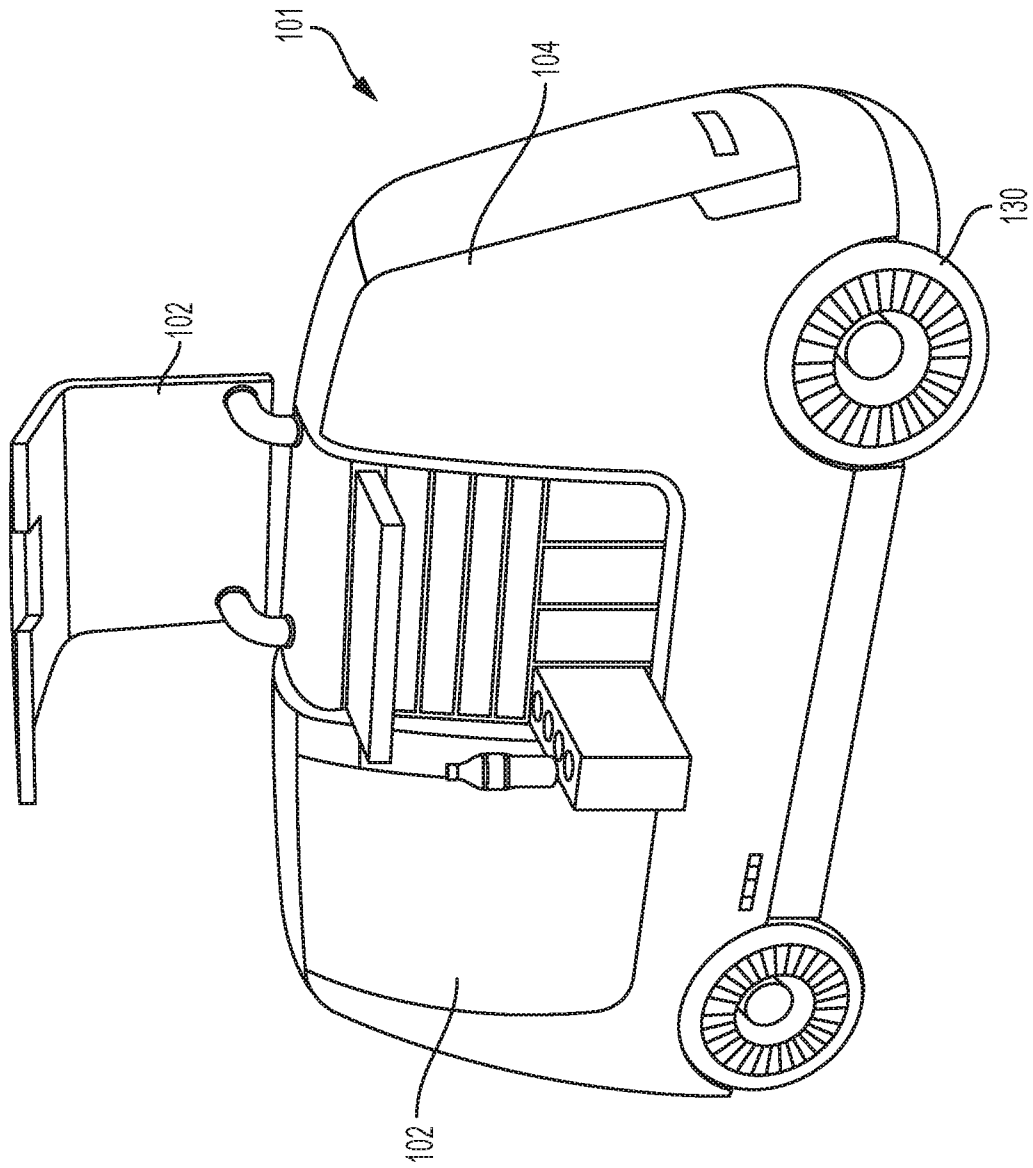


FIG. 2

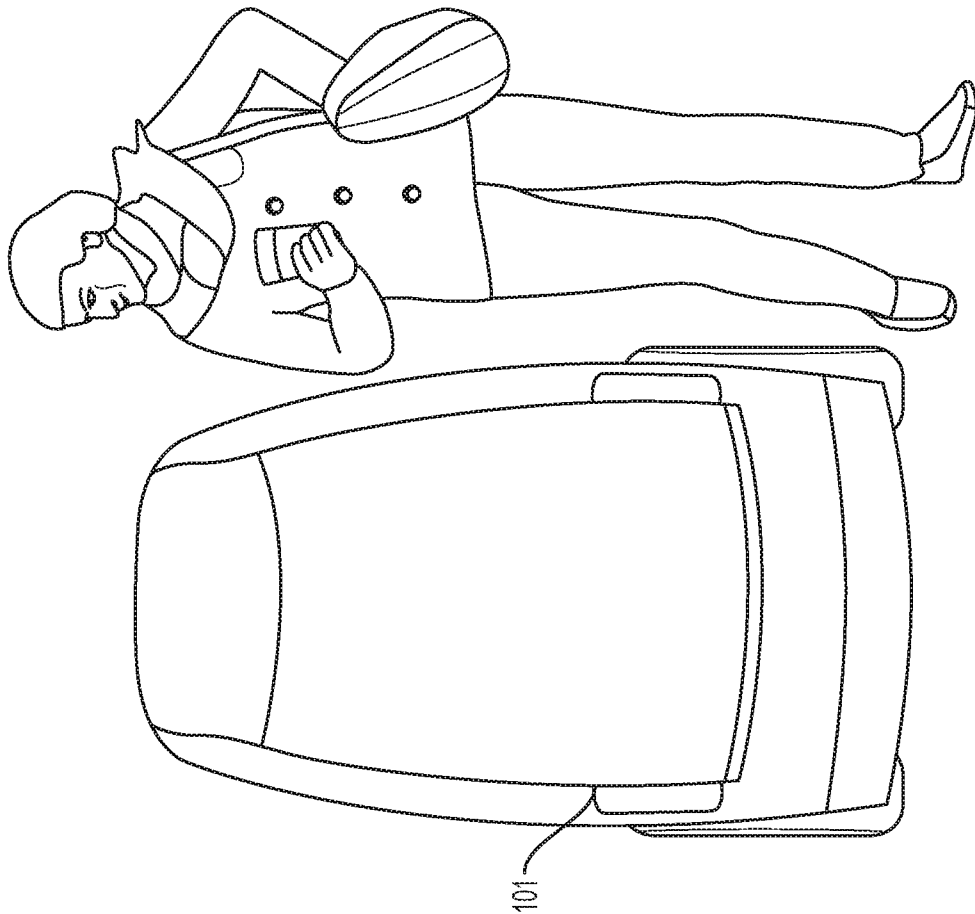


FIG. 3

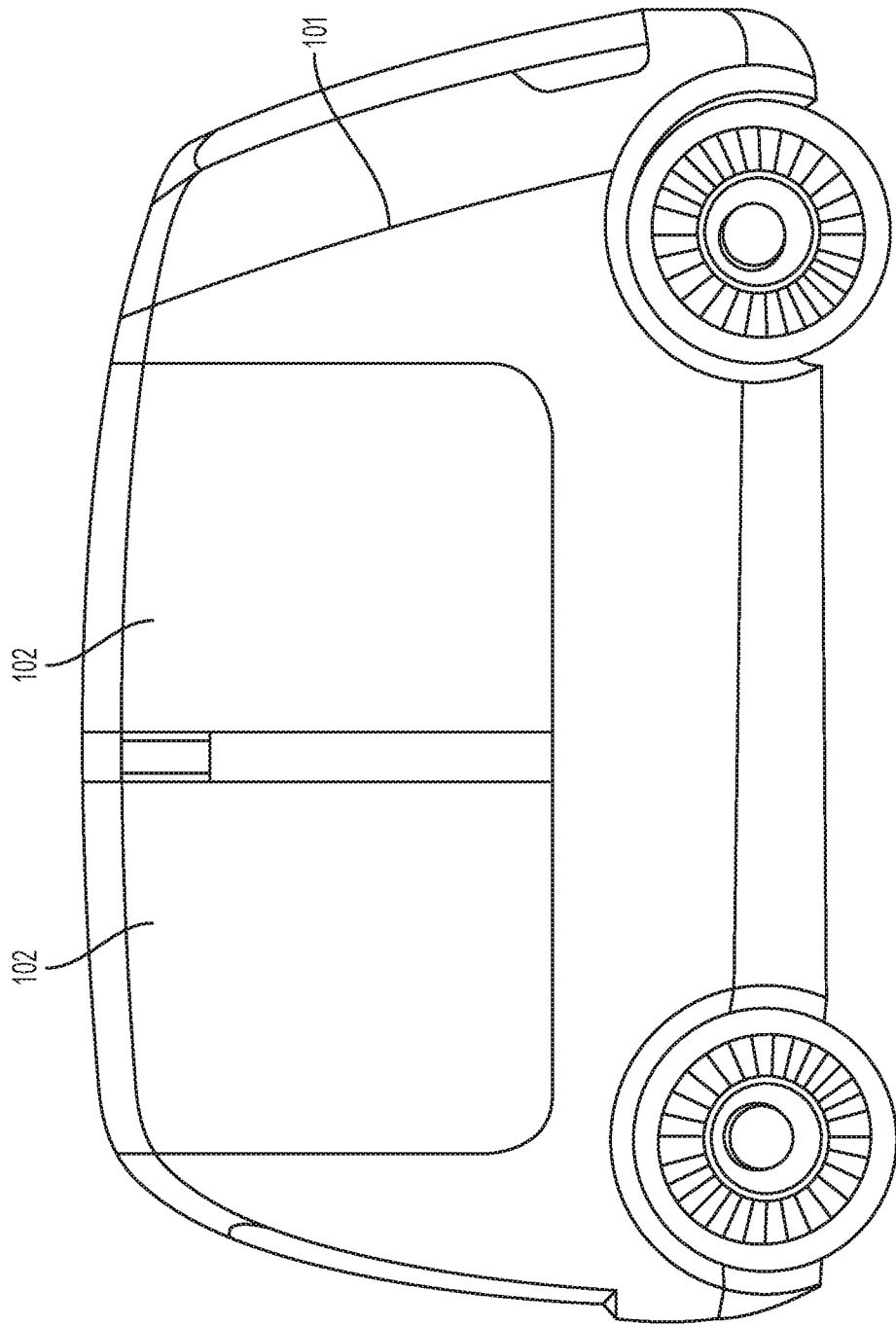


FIG. 4

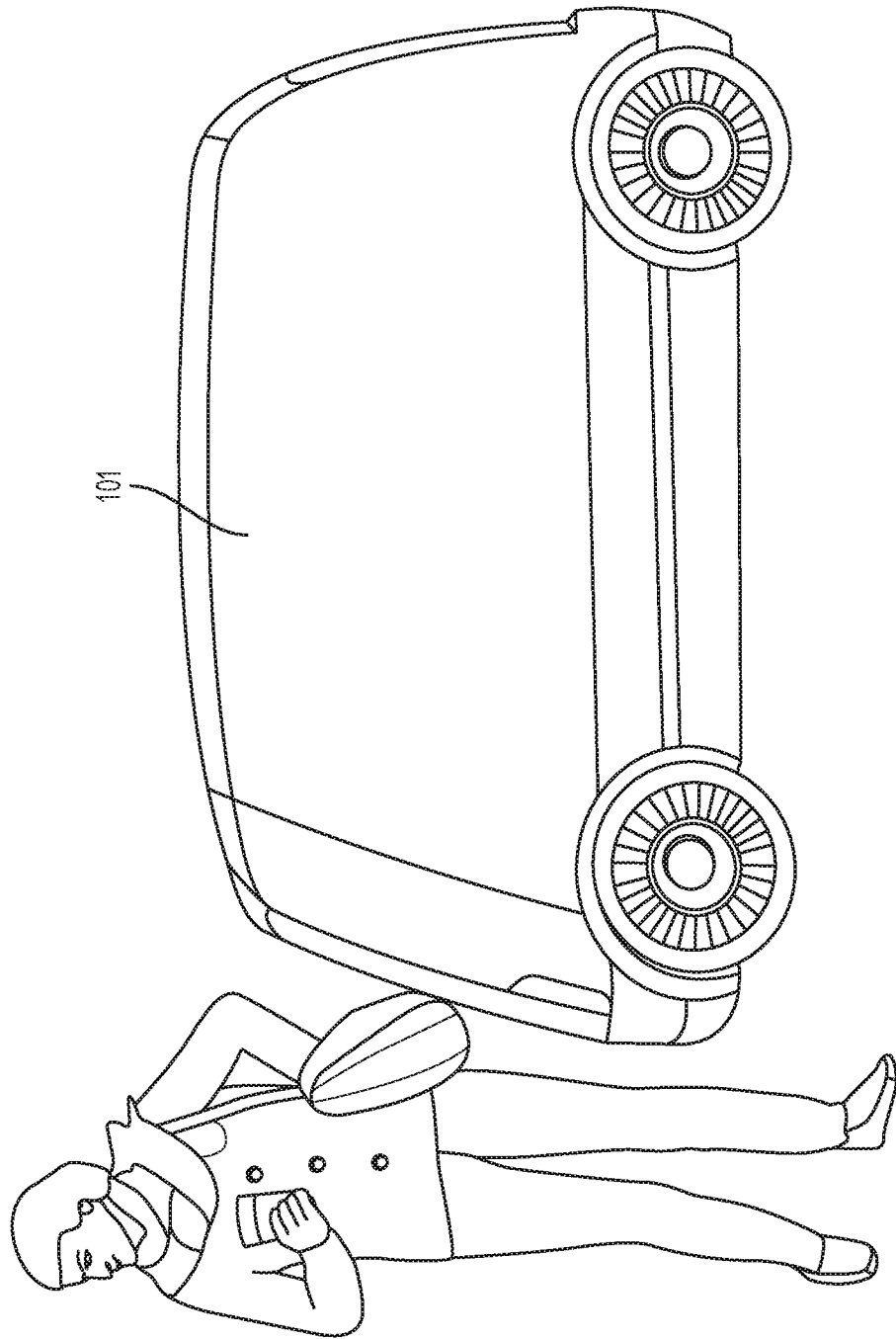


FIG. 5

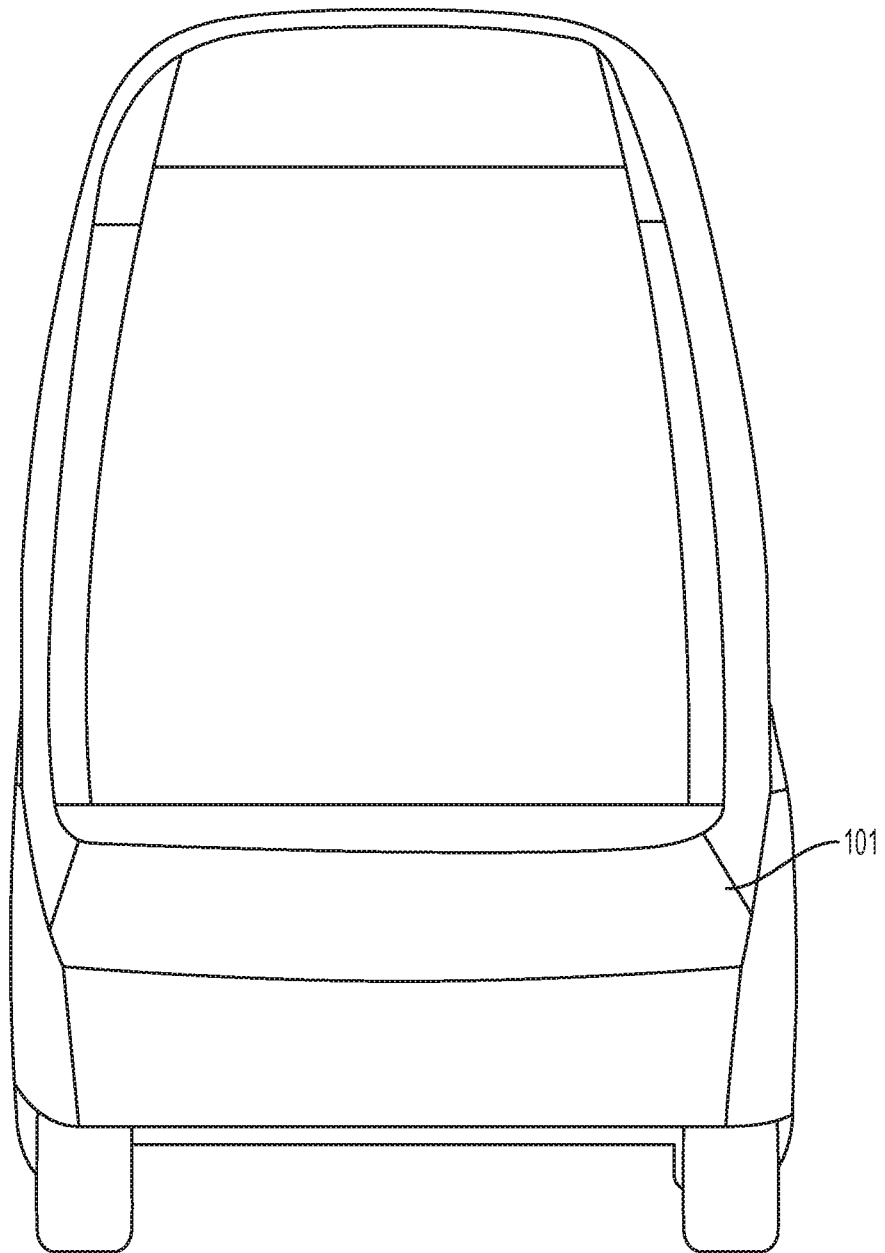


FIG. 6

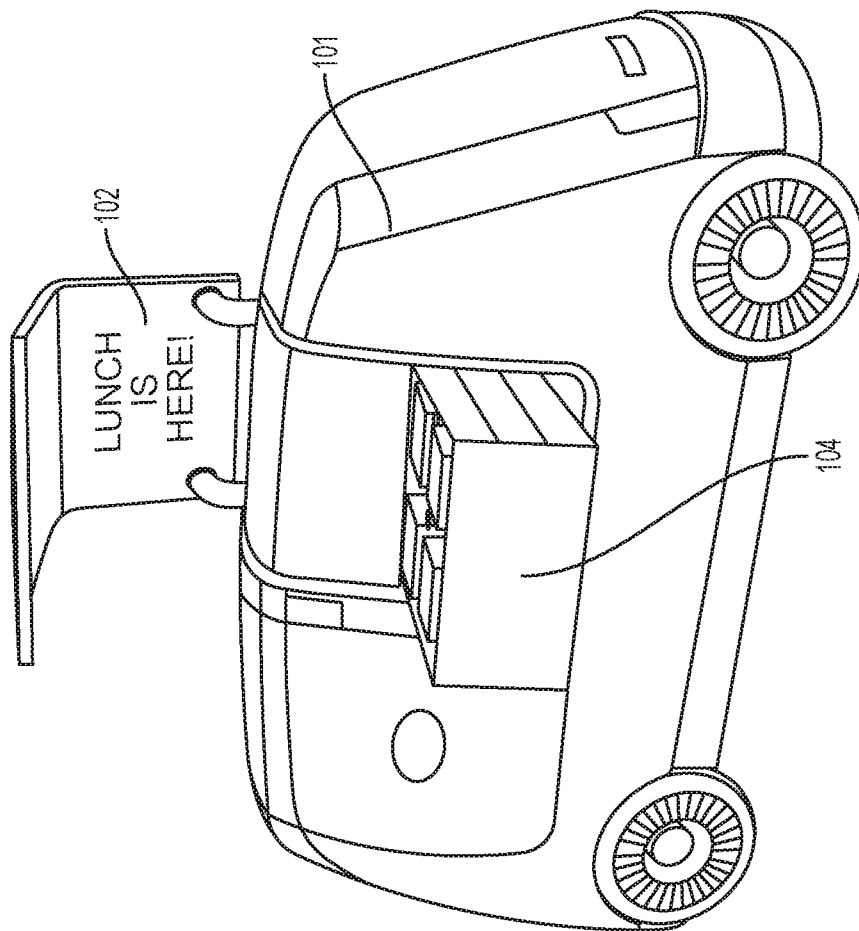


FIG. 7

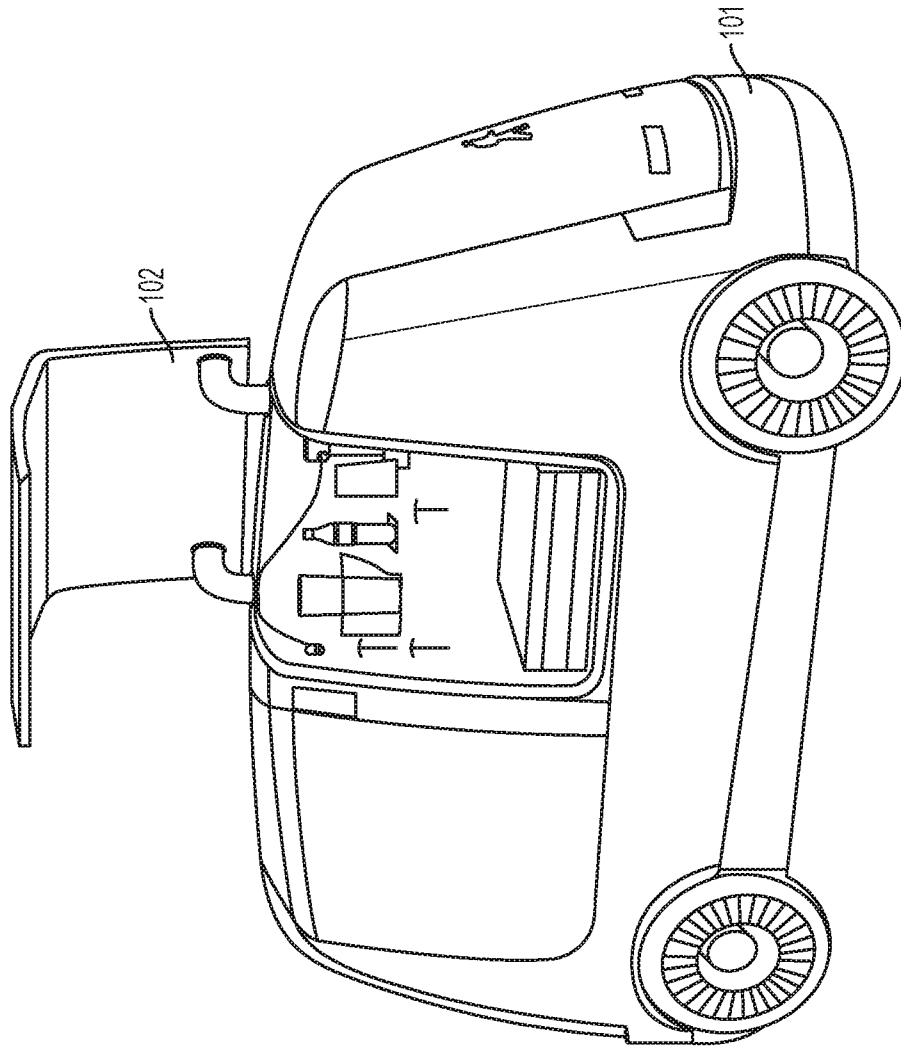


FIG. 8

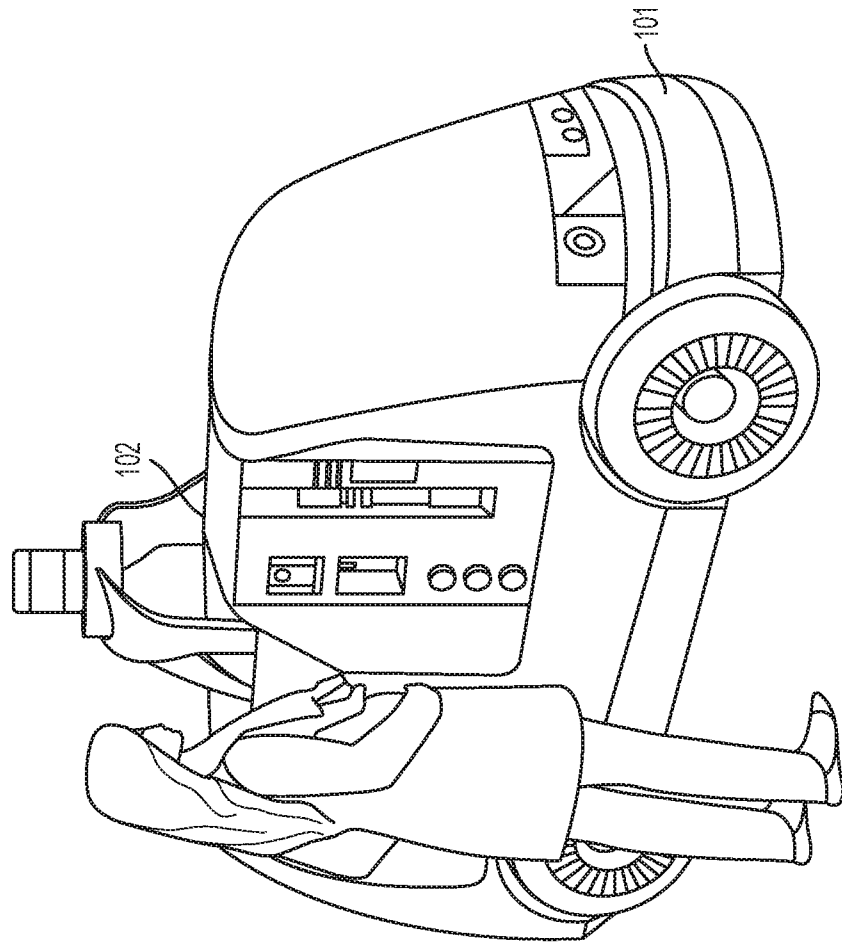


FIG. 9

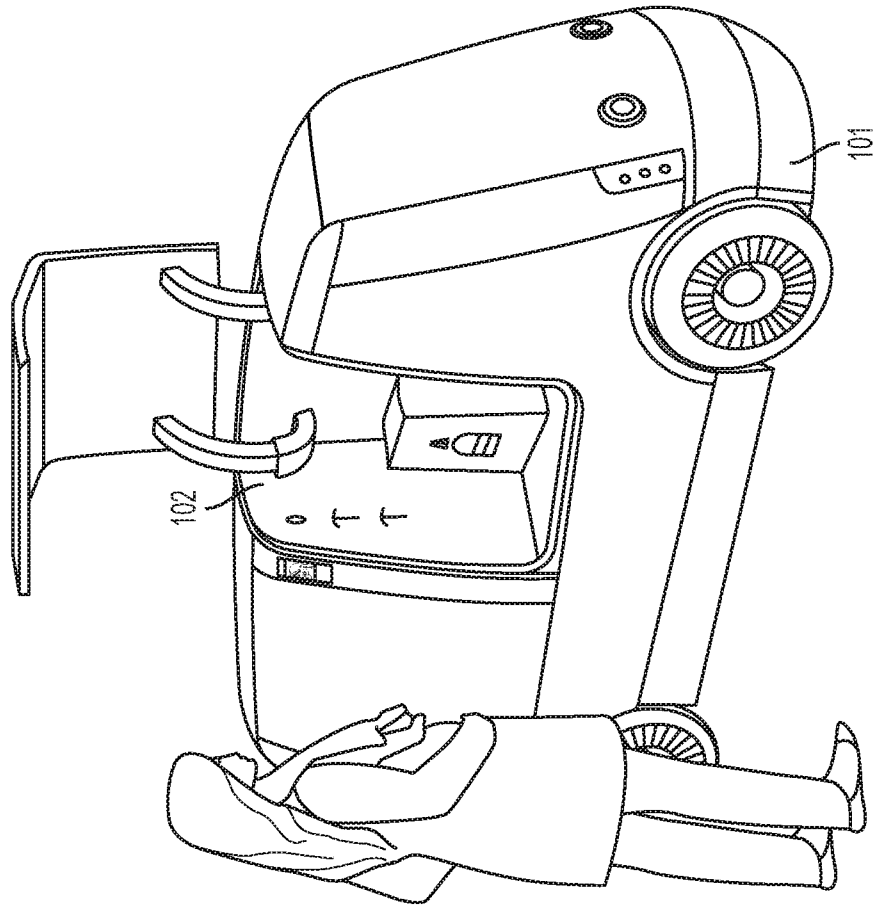


FIG. 10



FIG. 11A

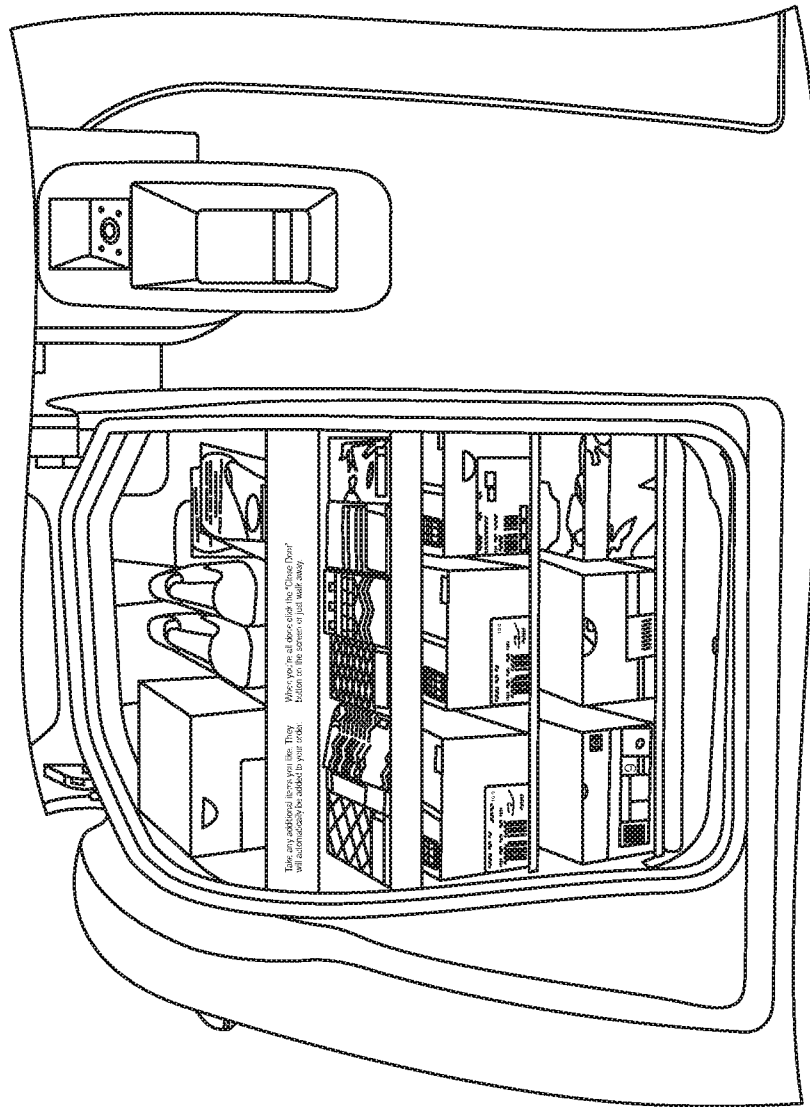


FIG. 11B

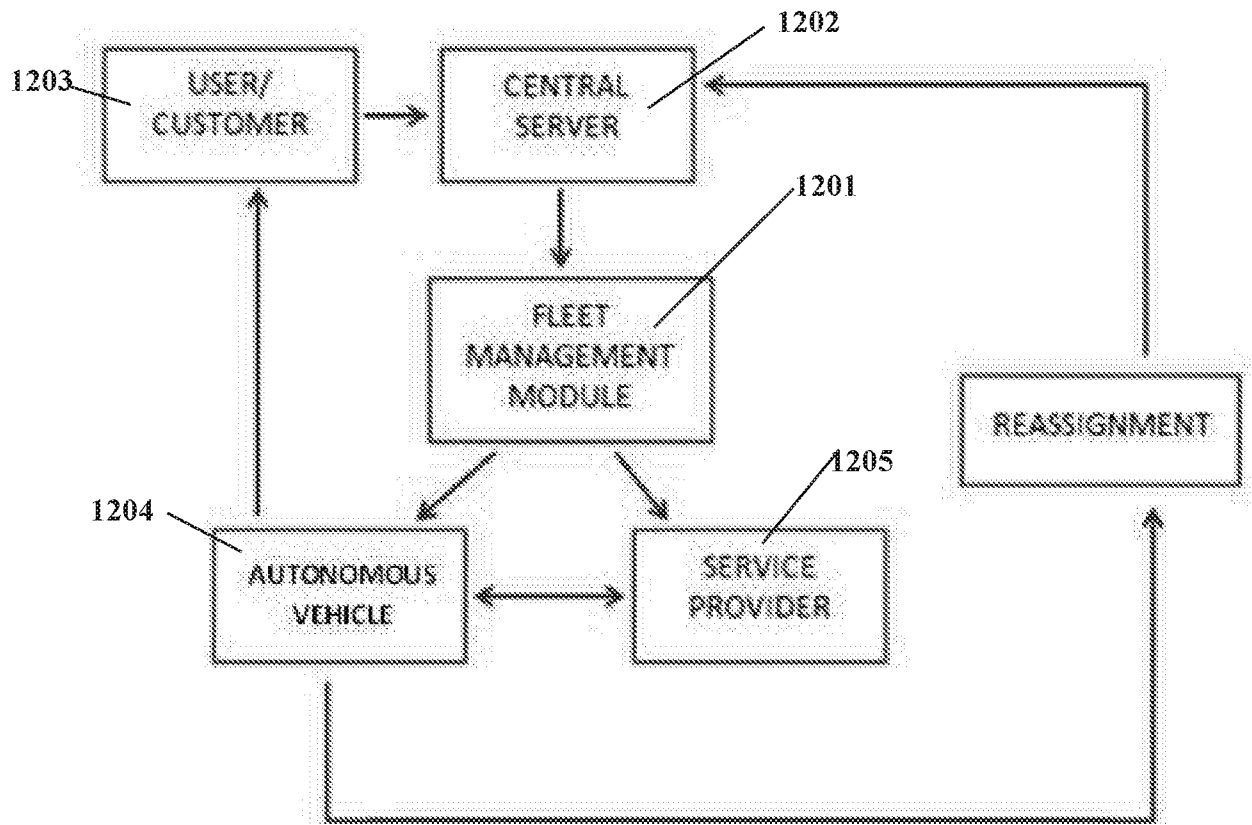


FIG. 12

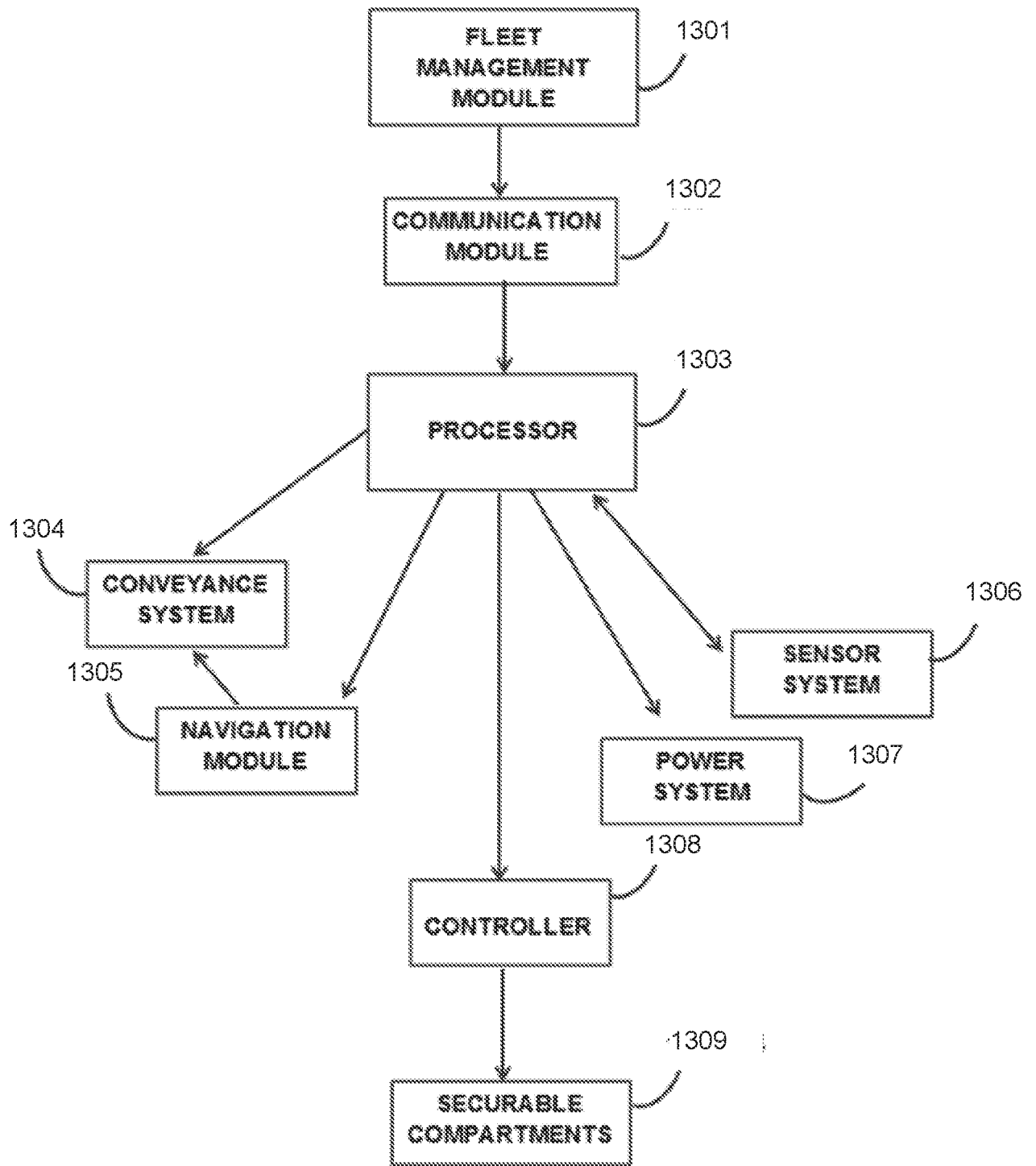


FIG. 13

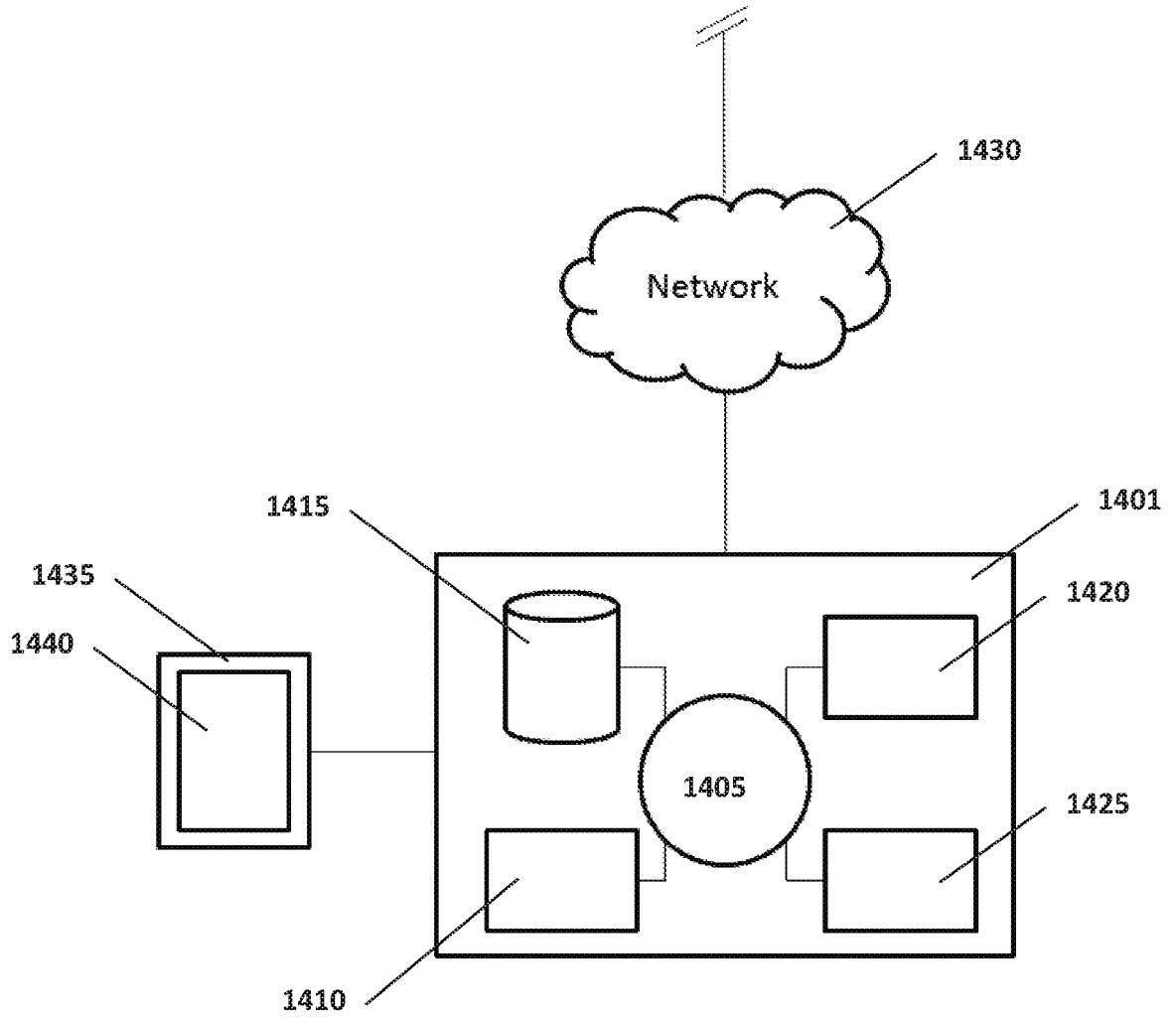


FIG. 14

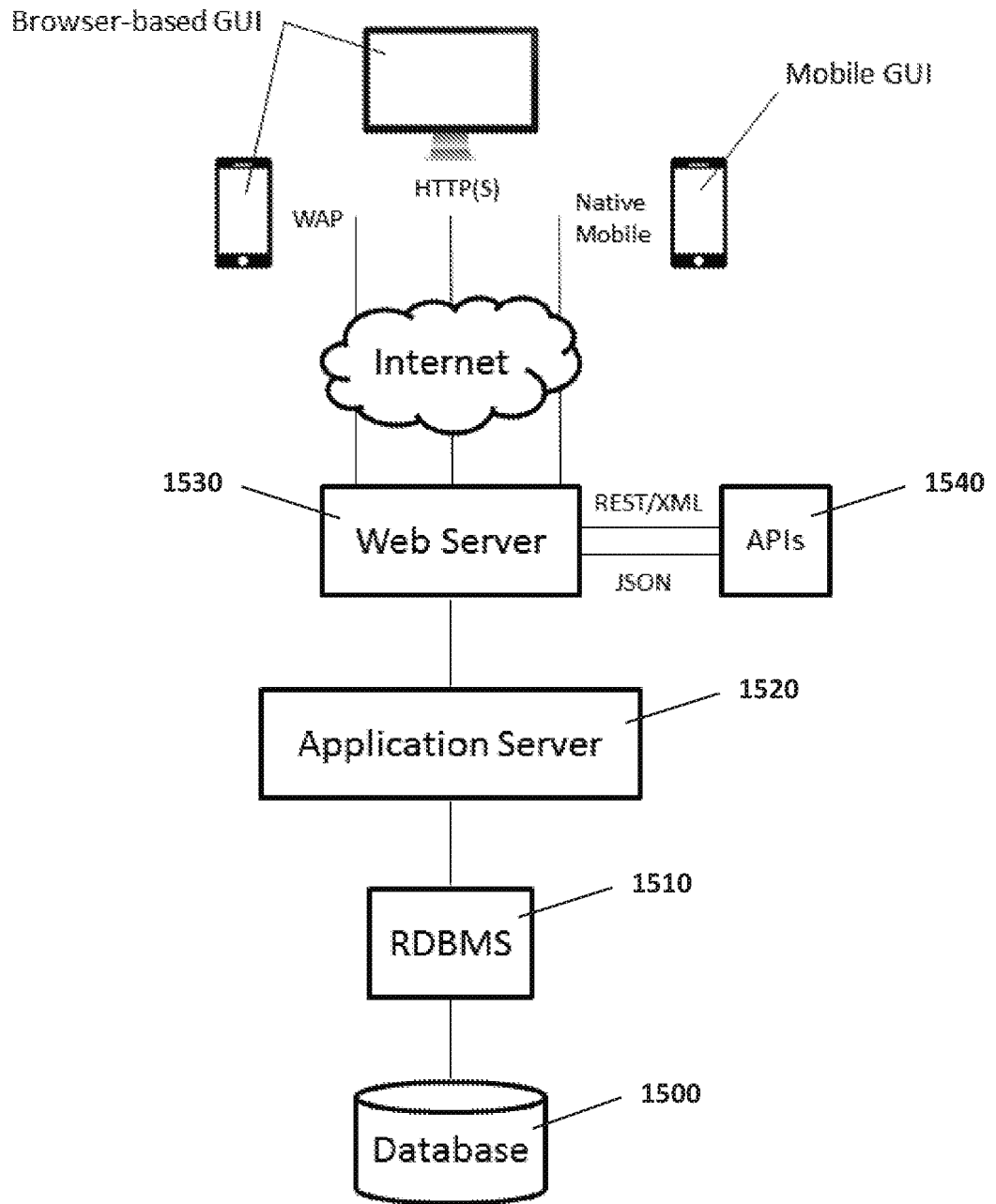


FIG. 15

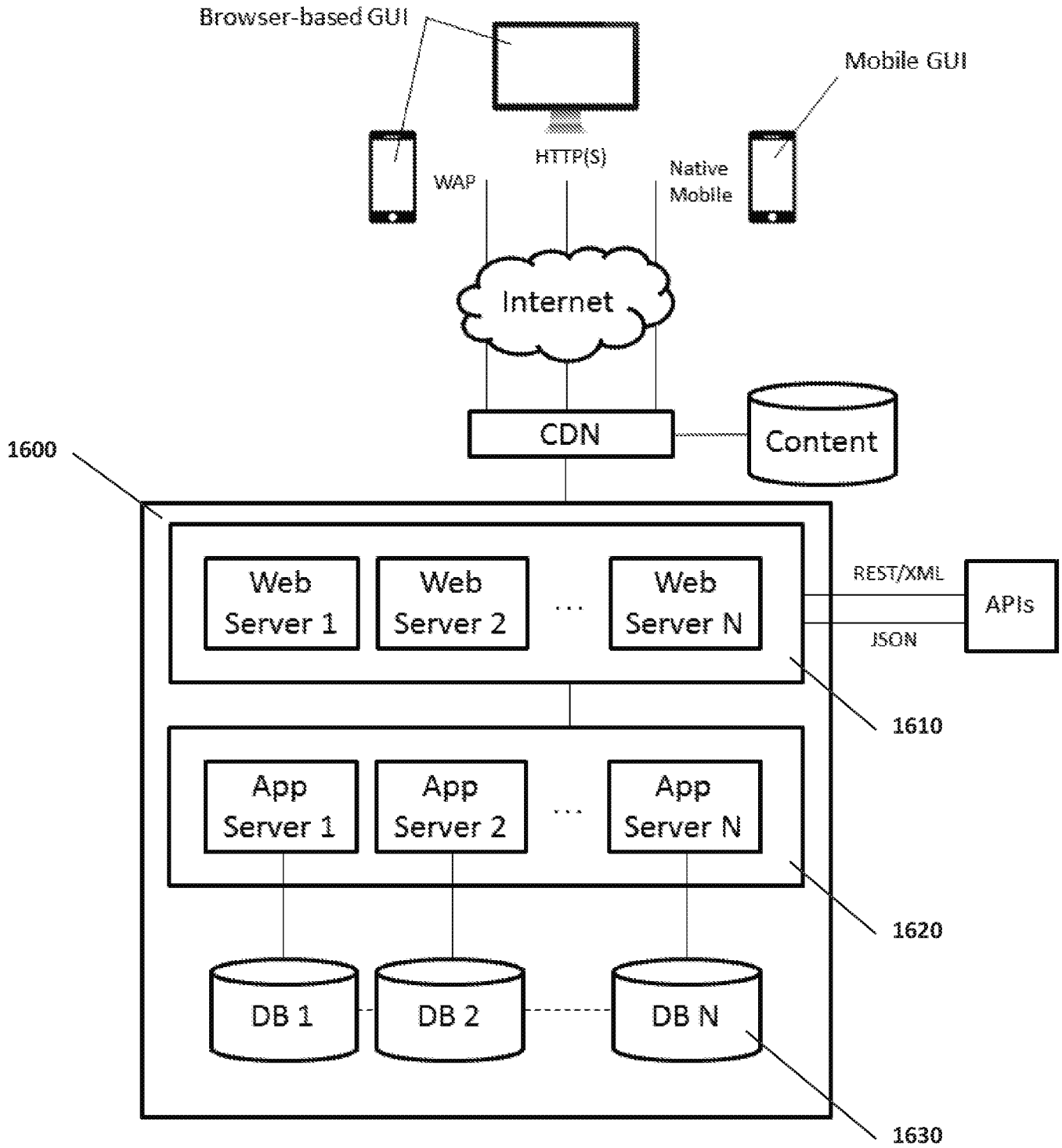


FIG. 16

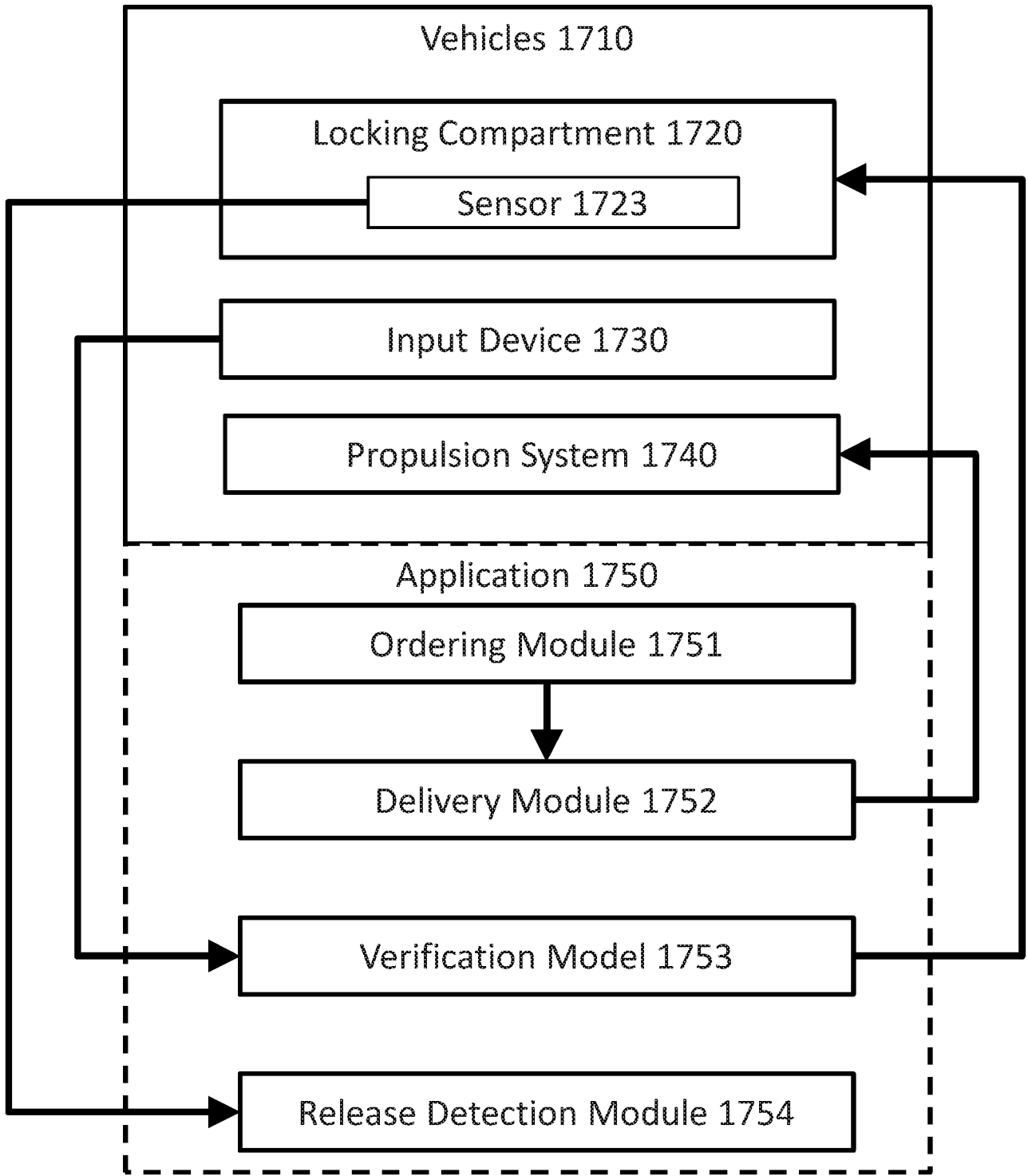


FIG. 17

INTERNATIONAL SEARCH REPORT

International application No.
PCT/US 18/43990

A. CLASSIFICATION OF SUBJECT MATTER
IPC(8) - G06Q 10/08 (2018.01)
CPC - G06Q 10/0832; G06Q 10/087; G06K 19/0717; G06K 7/10366

According to International Patent Classification (IPC) or to both national classification and IPC

B. FIELDS SEARCHED

Minimum documentation searched (classification system followed by classification symbols)

See Search History Document

Documentation searched other than minimum documentation to the extent that such documents are included in the fields searched

See Search History Document

Electronic data base consulted during the international search (name of data base and, where practicable, search terms used)

See Search History Document

C. DOCUMENTS CONSIDERED TO BE RELEVANT

Category*	Citation of document, with indication, where appropriate, of the relevant passages	Relevant to claim No.
X ----- Y	US 2016/0300187 A1 (SMIOTEX, INC.), 13 October 2016 (13.10.2016), entire document, especially Abstract; para [0007], [0010], [0045], [0064], [0069], [0075], [0082], [0089], [0091], [0094], [0114], [0118]-[0119], [0122]-[0124], [0128], [0141]	1-6, 8-11, 13-17, 19-20 ----- 7, 12, 18, 21
Y	US 2015/0006005 A1 (YU et al.), 01 January 2015 (01.01.2015), entire document, especially Abstract; para [0004], [0066]	7, 18
Y	US 9,684,914 B1 (AMAZON TECHNOLOGIES, INC.), 20 June 2017 (20.06.2017), entire document, especially Abstract; col 2, ln 19-38; col 14, ln 9-21	12, 21

Further documents are listed in the continuation of Box C. See patent family annex.

* Special categories of cited documents:

"A" document defining the general state of the art which is not considered to be of particular relevance	"T" later document published after the international filing date or priority date and not in conflict with the application but cited to understand the principle or theory underlying the invention
"E" earlier application or patent but published on or after the international filing date	"X" document of particular relevance; the claimed invention cannot be considered novel or cannot be considered to involve an inventive step when the document is taken alone
"L" document which may throw doubts on priority claim(s) or which is cited to establish the publication date of another citation or other special reason (as specified)	"Y" document of particular relevance; the claimed invention cannot be considered to involve an inventive step when the document is combined with one or more other such documents, such combination being obvious to a person skilled in the art
"O" document referring to an oral disclosure, use, exhibition or other means	"&" document member of the same patent family
"P" document published prior to the international filing date but later than the priority date claimed	

Date of the actual completion of the international search
10 September 2018 (10.09.2018)

Date of mailing of the international search report

05 OCT 2018

Name and mailing address of the ISA/US
Mail Stop PCT, Attn: ISA/US, Commissioner for Patents
P.O. Box 1450, Alexandria, Virginia 22313-1450
Facsimile No. 571-273-8300

Authorized officer:
Lee W. Young

PCT Helpdesk: 571-272-4300
PCT OSP: 571-272-7774