



US00D803616S

(12) **United States Design Patent**
Day et al.

(10) **Patent No.:** **US D803,616 S**

(45) **Date of Patent:** **** Nov. 28, 2017**

(54) **FOOD PREPARATION APPLIANCE**

(71) Applicant: **Sunbeam Products, Inc.**, Boca Raton, FL (US)

(72) Inventors: **Adam Day**, Boynton Beach, FL (US);
Daniel Phipps, Round Rock, TX (US)

(73) Assignee: **Sunbeam Products, Inc.**, Boca Raton, FL (US)

(**) Term: **15 Years**

(21) Appl. No.: **29/558,101**

(22) Filed: **Mar. 15, 2016**

(51) **LOC (10) Cl.** **07-02**

(52) **U.S. Cl.**
USPC **D7/360**

(58) **Field of Classification Search**
USPC D7/323, 337, 339-341, 352, 354-358,
D7/360, 362-367, 393, 402-403,
D7/407-411, 601, 605; D3/276
CPC A21B 1/06; A21B 1/50; A21B 1/52; A47J
37/04; A47J 37/06; A47J 37/015; A47J
37/067; A47J 37/0611; A47J 37/0629;
A47J 37/0676; A47J 37/108; F24C 7/06;
F24C 7/083; F24C 15/02; F24C 15/66;
H05B 3/20; H05B 3/40

See application file for complete search history.

(56) **References Cited**

U.S. PATENT DOCUMENTS

D329,570	S	*	9/1992	Gerlach	D7/354
D420,246	S	*	2/2000	Alonge	D7/360
D425,360	S	*	5/2000	Dobson	D7/360
D433,869	S	*	11/2000	Wong	D7/360
D434,940	S	*	12/2000	Hlava	D7/354
D556,504	S	*	12/2007	Averty	D7/360
D568,676	S	*	5/2008	Steiner	D7/354
D635,818	S	*	4/2011	Tse	D7/354

D641,202	S	*	7/2011	Bock	D7/354
D682,009	S	*	5/2013	Day	D7/354
D701,416	S	*	3/2014	Day	D7/354
D730,107	S	*	5/2015	MacInnis	D7/354

OTHER PUBLICATIONS

New! Crock-Pot® Single Hand Cook & Carry® 6-Quart Oval Slow Cooker, posted at Crock-pot.com, posted on © 2017, site visited Feb. 24, 2017, <<http://www.crock-pot.com/slow-cookers/portable-slow-cookers/new-crock-pot-single-hand-cook-and-carry-6-quart-oval-slow-cooker/SCCPVS600ECP-S.html#start=2>>.*
Crockpot SCCPVS600ECP-S Cook and Carry Cooker with Digital Control, 6 quart, Silver, posted at Amazon.com, posted on Jul. 8, 2015, site visited Feb. 24, 2017, <<https://www.amazon.com/Crockpot-SCCPVS600ECP-S-Cooker-Digital-Control/dp/B011L1VOTM?th=1>>.*

(Continued)

Primary Examiner — Barbara Fox
Assistant Examiner — Messina L Smith
(74) *Attorney, Agent, or Firm* — Seth Blum

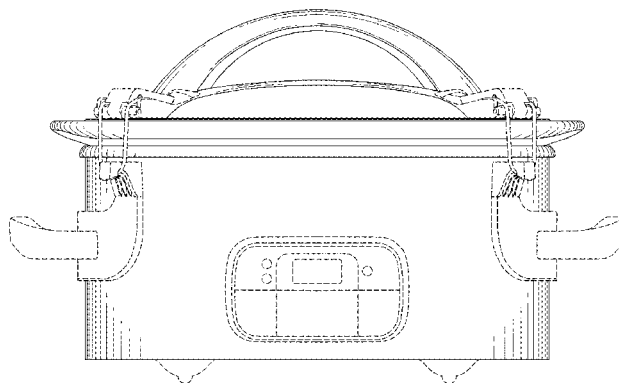
(57) **CLAIM**

The ornamental design for a food preparation appliance, as shown and described.

DESCRIPTION

FIG. 1 is a front perspective view of a food preparation appliance showing our new design;
FIG. 2 is a front view thereof;
FIG. 3 is a rear view thereof;
FIG. 4 is a left side view thereof;
FIG. 5 is a right side view thereof; and,
FIG. 6 is a top plan view thereof.
The broken lines in the drawings illustrate portions of the food preparation appliance that form no part of the claimed design.

1 Claim, 3 Drawing Sheets



(56)

References Cited

OTHER PUBLICATIONS

Crock-Pot® Single Hand Cook & Carry® 6 Qt.Oval Slow Cooker, posted at Target.com, posted on © 2017, site visited Feb. 24, 2017, <<http://www.target.com/p/crock-pot-single-hand-cook-carry-6-quart-oval-slow-cooker-sccpvz600ec-s/-/A-49112044>>.*

Crock-Pot® Single Hand Cook & Carry® 6 Qt.Oval Slow Cooker, posted at Ebay.com, posted on Nov. 7, 2016, site visited Feb. 24, 2017, <<http://www.ebay.com/itm/Crock-Pot-Single-Hand-Cook-amp-Carry-6-Qt-Oval-Slow-Cooker-SCCPVZ-/272246633973>>.*

* cited by examiner

FIG. 1

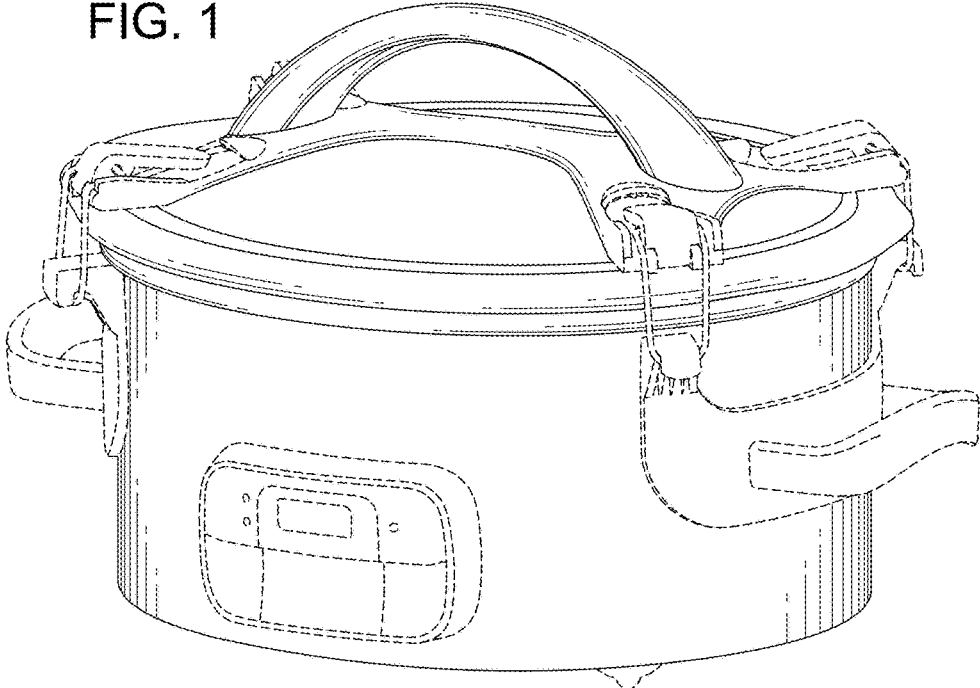


FIG. 6

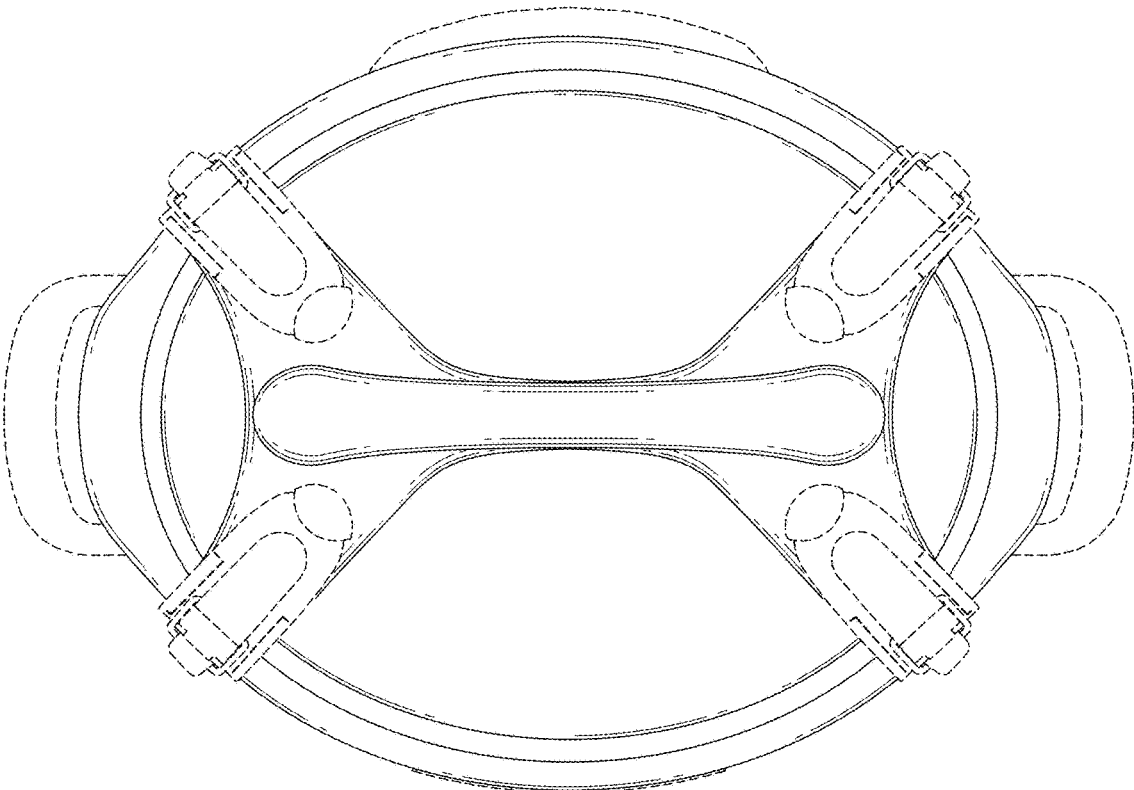


FIG. 2

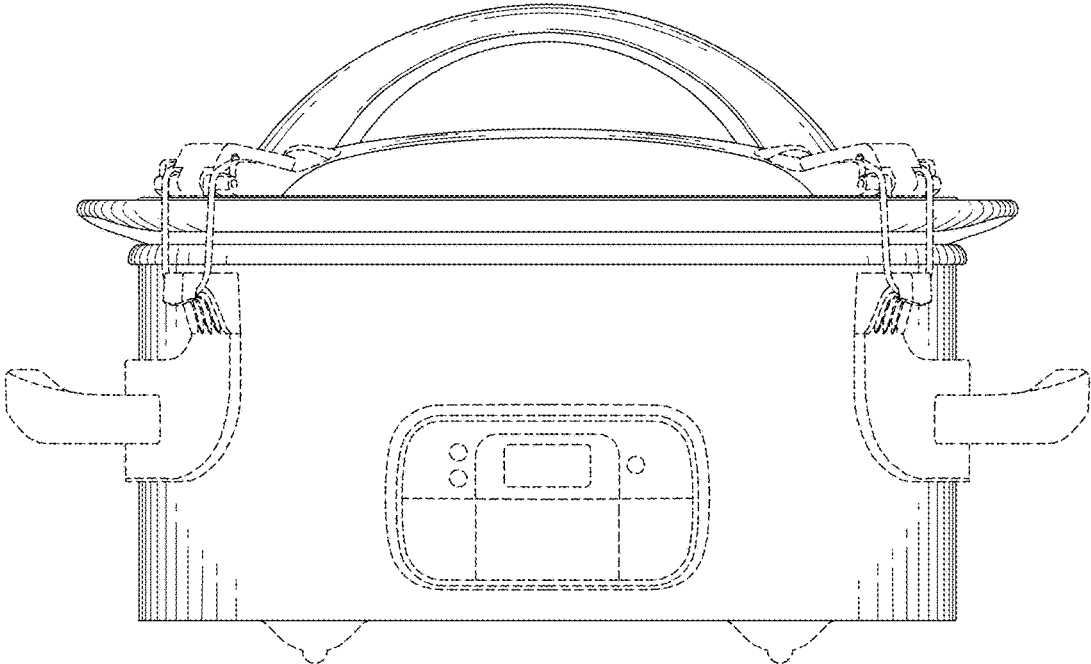


FIG. 3

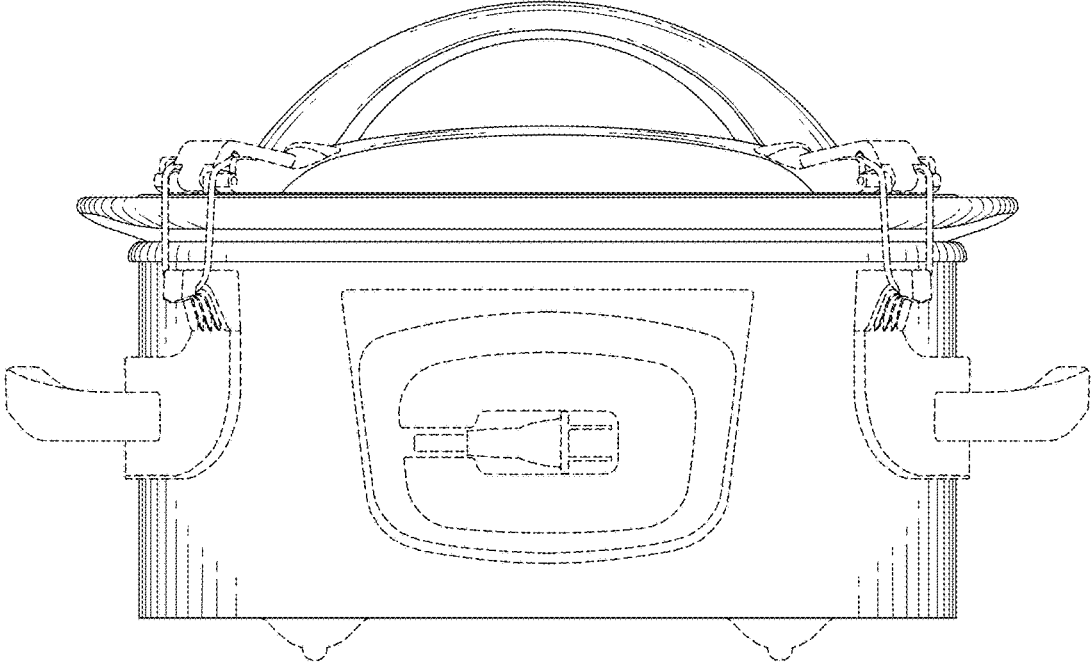


FIG. 4

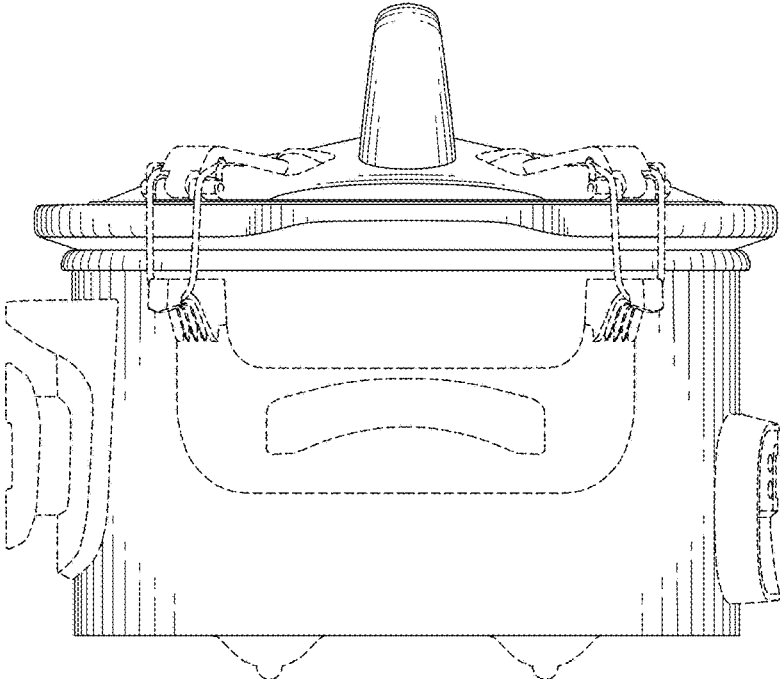


FIG. 5

