



US00D881130S

(12) **United States Design Patent**
Crowder

(10) **Patent No.:** **US D881,130 S**
(45) **Date of Patent:** **** Apr. 14, 2020**

- (54) **SECURABLE POWER ADAPTER**
- (71) Applicant: **Robert Crowder**, Chicago, IL (US)
- (72) Inventor: **Robert Crowder**, Chicago, IL (US)
- (**) Term: **15 Years**
- (21) Appl. No.: **29/657,099**
- (22) Filed: **Jul. 19, 2018**

4,061,409 A	12/1977	Bealmear	
4,494,809 A	1/1985	Soloman	
4,500,160 A	2/1985	Bertsch	
4,579,410 A	4/1986	Soloman	
4,954,091 A	9/1990	Marble et al.	
5,007,857 A	4/1991	Wright	
5,249,976 A	10/1993	Brock	
5,367,158 A *	11/1994	Herman	F16P 3/20 250/221
5,409,397 A	4/1995	Karman	
5,480,318 A	1/1996	Garrison	
5,493,194 A *	2/1996	Damiano	G05B 19/414 307/71
5,551,884 A	9/1996	Burkhart, Sr.	
5,590,010 A	12/1996	Ceola et al.	
5,635,814 A *	6/1997	Afzal	H01M 2/105 320/111
D400,172 S *	10/1998	Aromin	D13/138.1
6,171,129 B1	1/2001	Phillips	
6,315,593 B1	11/2001	Bentley et al.	

Related U.S. Application Data

- (63) Continuation-in-part of application No. 15/725,224, filed on Oct. 4, 2017, now Pat. No. 10,181,680.
- (51) **LOC (12) Cl.** **13-02**
- (52) **U.S. Cl.**
USPC **D13/138.2**
- (58) **Field of Classification Search**
USPC ... D13/138.1-138.2, 110, 137.1-137.4, 108, D13/133; D10/78, 40
CPC H01R 13/6395; H01R 31/06; H01R 13/6215; H02G 3/14; H01M 2/105; G05B 19/414; H01F 5/04; F16P 3/20
See application file for complete search history.

(Continued)

Primary Examiner — Rhea Shields
(74) *Attorney, Agent, or Firm* — Law Office of Mark Brown, LLC; Christopher M. DeBacker

(57) **CLAIM**
The ornamental design for a securable power adapter, as shown and described.

(56) **References Cited**

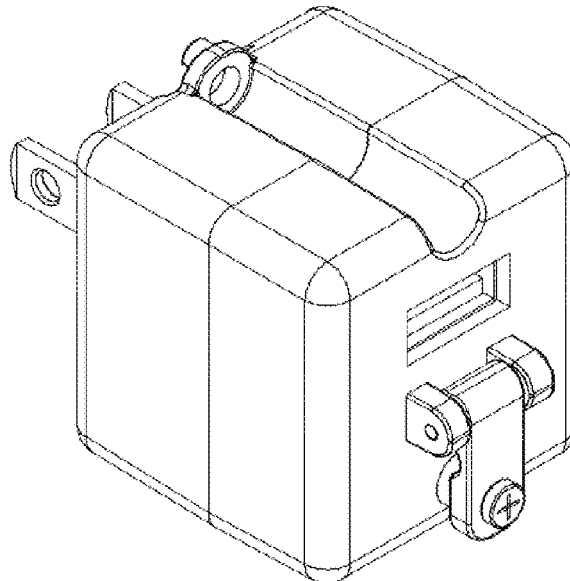
U.S. PATENT DOCUMENTS

1,341,468 A	5/1920	Kenney	
1,511,855 A	10/1924	Wentz	
1,976,501 A	10/1934	James	
2,002,558 A	5/1935	Von Holtz	
2,199,560 A	5/1940	Faller	
2,436,586 A	2/1948	Mangold	
3,161,450 A *	12/1964	Goodenough	H01R 13/6215 439/304
3,579,283 A	5/1971	Welburn	
3,775,727 A	11/1973	Wise	
4,028,654 A *	6/1977	Bullard	H01F 5/04 336/92

DESCRIPTION

FIG. 1 is a top rear isometric view of the securable power adapter, showing my present design;
FIG. 2 is a top front isometric view thereof;
FIG. 3 is a bottom front isometric view thereof;
FIG. 4 is a rear view thereof;
FIG. 5 is a right side view thereof;
FIG. 6 is a left side view thereof;
FIG. 7 is a bottom plan view thereof;
FIG. 8 is a front view thereof; and,
FIG. 9 is a top plan view thereof.

1 Claim, 9 Drawing Sheets



(56)

References Cited

U.S. PATENT DOCUMENTS

6,419,504	B1	7/2002	Nelson			
D475,015	S *	5/2003	Shimojo	D13/137.1	
6,753,755	B2	6/2004	Montague			
6,875,040	B1	4/2005	O'Keefe et al.			
7,077,683	B1	7/2006	Ross			
D540,257	S *	4/2007	Ivanova	D13/137.2	
7,220,136	B1	5/2007	Green			
D556,138	S *	11/2007	Ng	D13/138.1	
7,439,444	B1 *	10/2008	Maltby	H02G 3/14	
					174/66	
D621,782	S *	8/2010	Chang	D13/138.1	
7,798,838	B2 *	9/2010	Grieff	H01R 31/06	
					439/346	
D631,765	S *	2/2011	Qian	D10/40	
D653,615	S *	2/2012	Au	D13/108	
D665,354	S *	8/2012	Chen	D13/138.1	
D693,764	S *	11/2013	Hok Man	D13/108	
8,668,516	B2	3/2014	Lee			
8,808,014	B2	8/2014	Hsu et al.			
D727,185	S *	4/2015	Aromin	D10/78	
D735,130	S *	7/2015	Huang	D13/108	
D735,669	S *	8/2015	Kelly	D13/138.1	
9,147,973	B1	9/2015	Madison			
9,197,018	B2 *	11/2015	Garofalo	H01R 13/6395	
D751,038	S *	3/2016	Lin	D13/137.2	
D753,595	S *	4/2016	Yao	D13/133	
D758,312	S *	6/2016	Lin	D13/137.2	
D788,709	S *	6/2017	Yeo	D13/137.2	
9,825,414	B2	11/2017	Armstrong et al.			
D804,412	S *	12/2017	Huang	D13/108	
D816,038	S *	4/2018	Lu	D13/137.3	
D820,212	S *	6/2018	Stern	D13/137.2	
D845,898	S *	4/2019	Laffon de Mazieres	D13/110	
D856,934	S *	8/2019	Levy	D13/137.2	
2013/0337675	A1	12/2013	Cai et al.			
2014/0213093	A1	7/2014	Tal et al.			

* cited by examiner

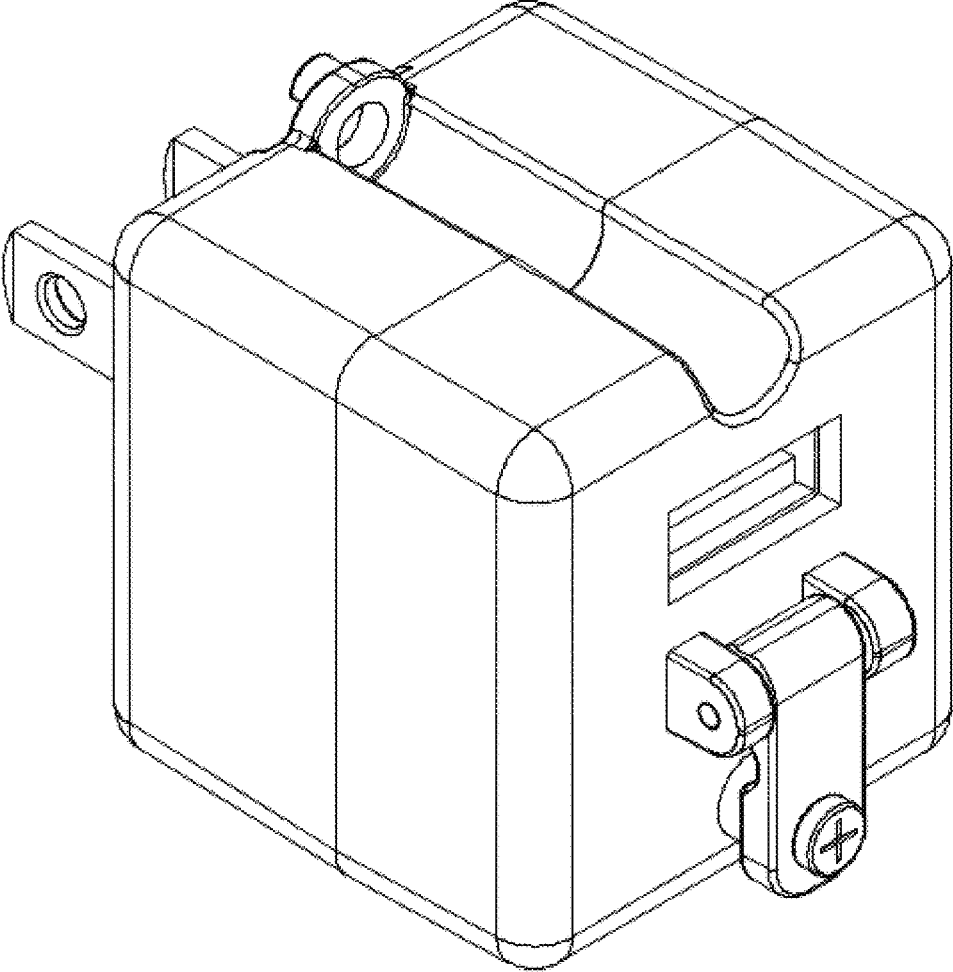


FIG. 1

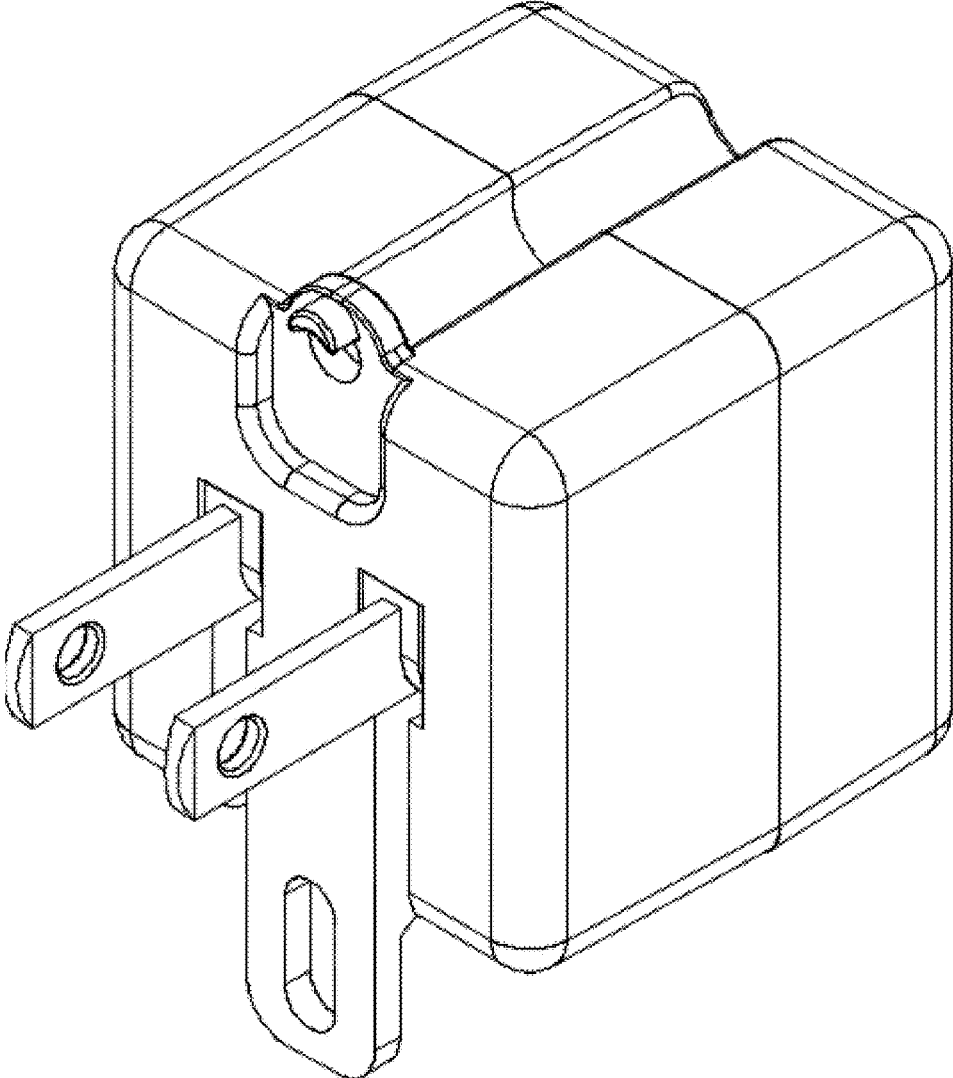


FIG. 2

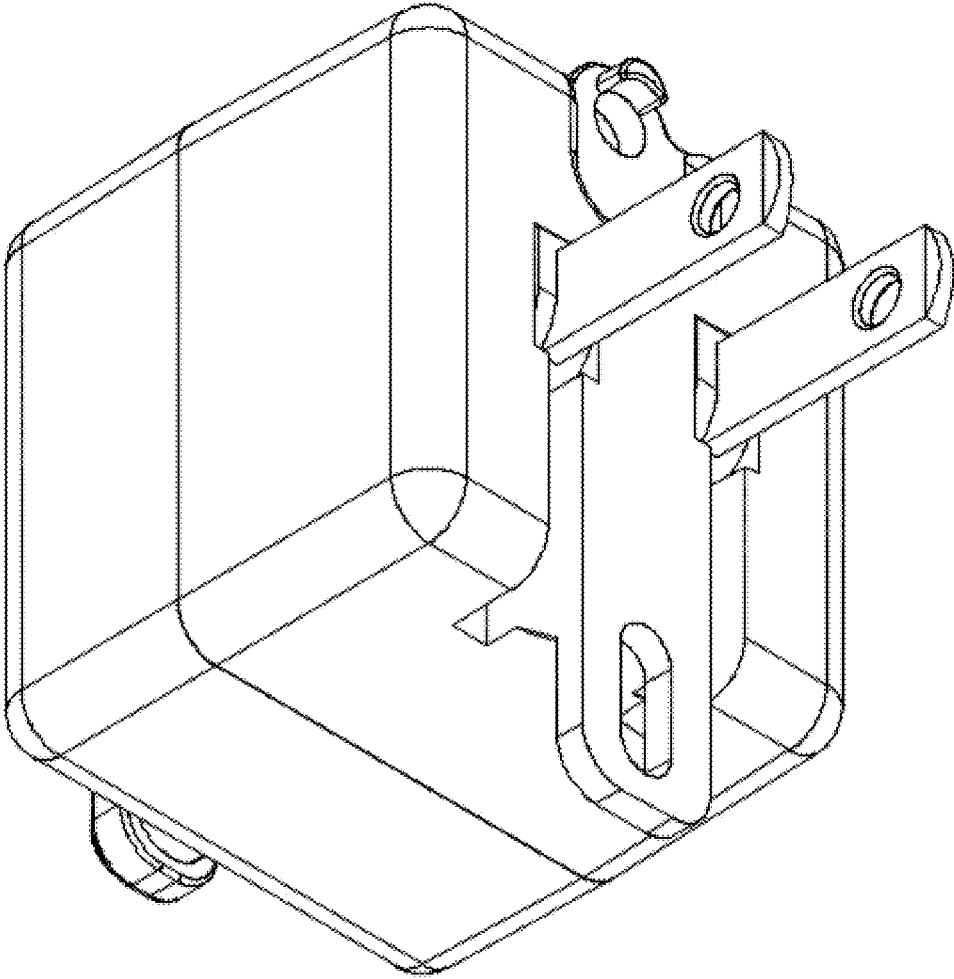


FIG. 3

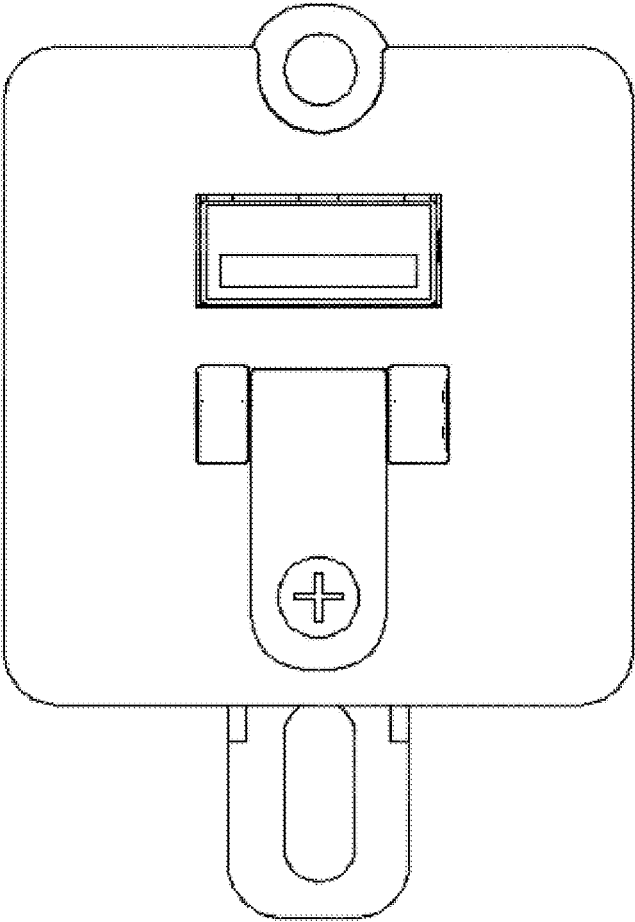


FIG. 4

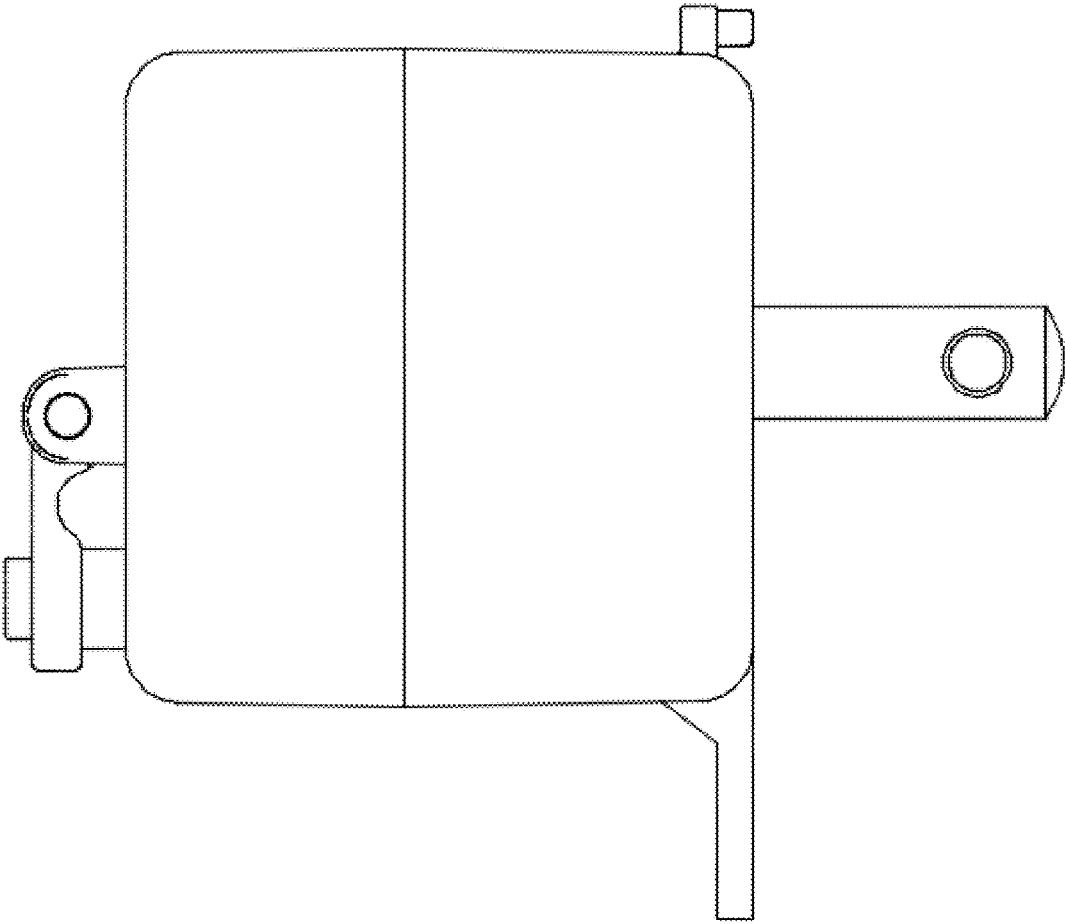


FIG. 5

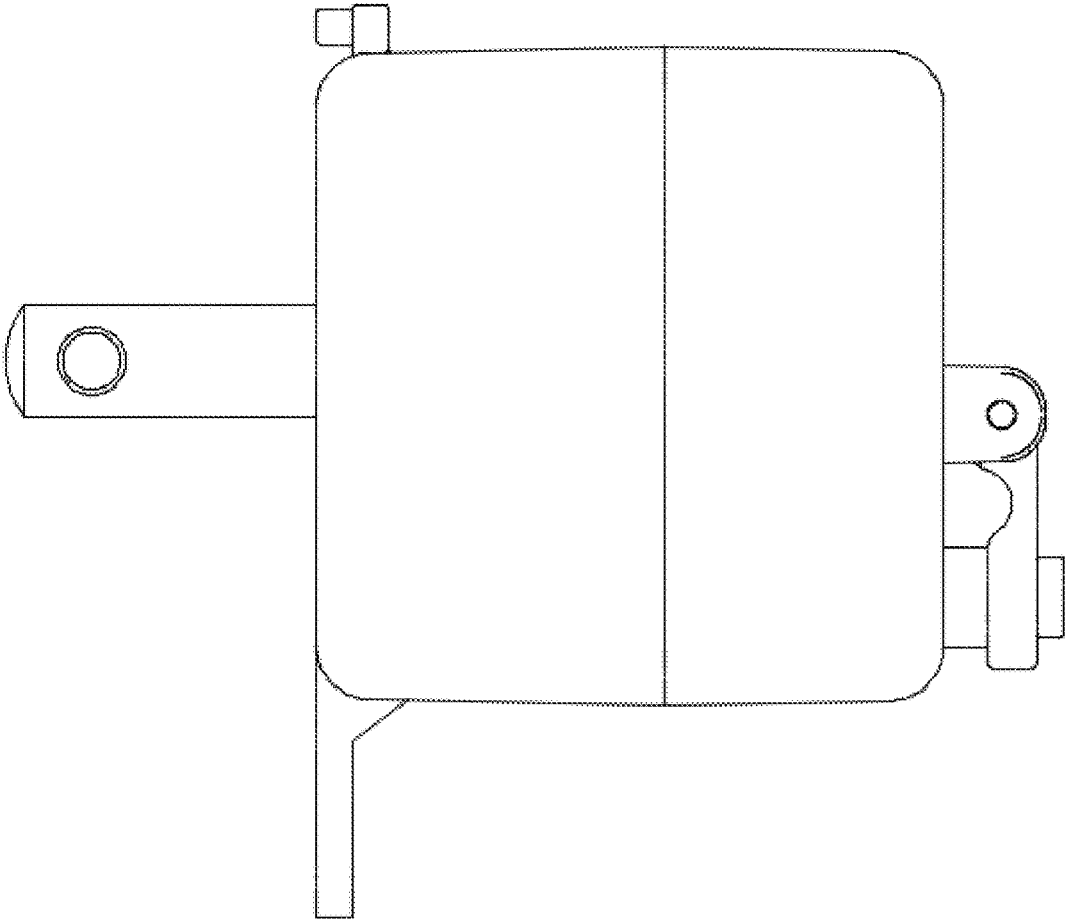


FIG. 6

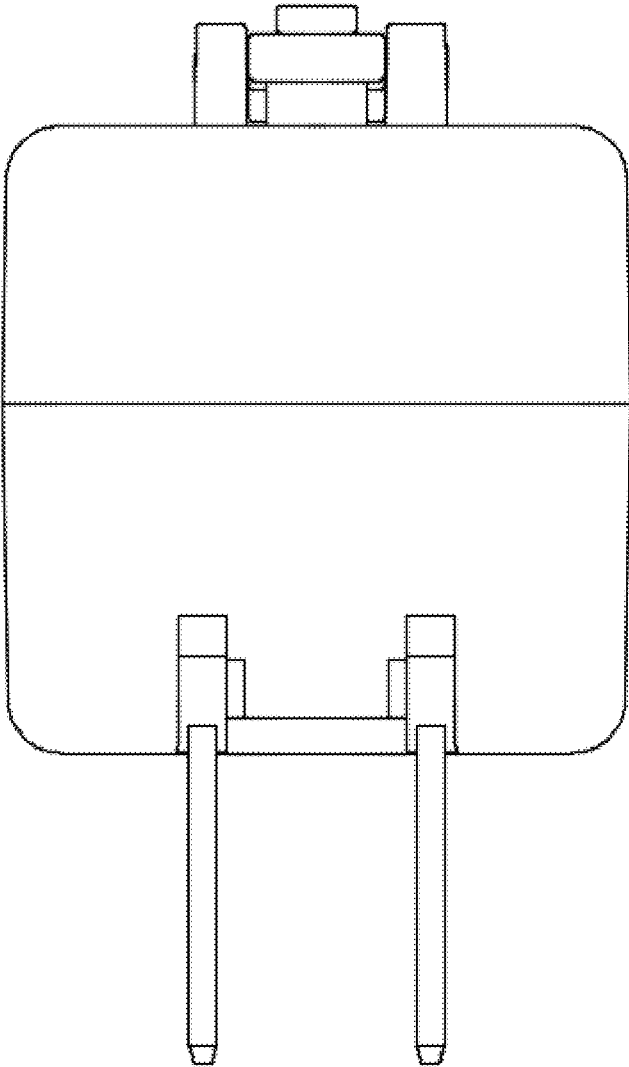


FIG. 7

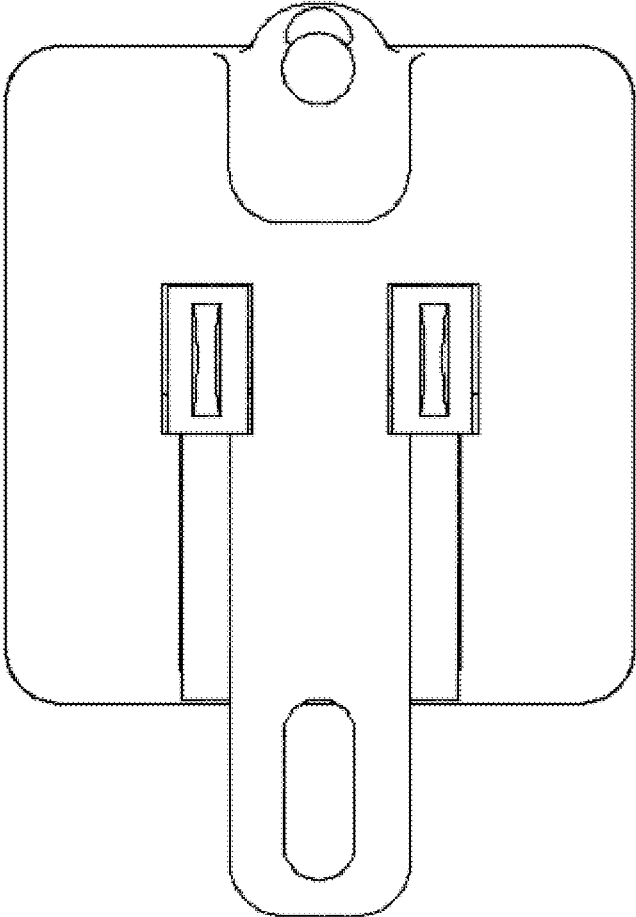


FIG.8

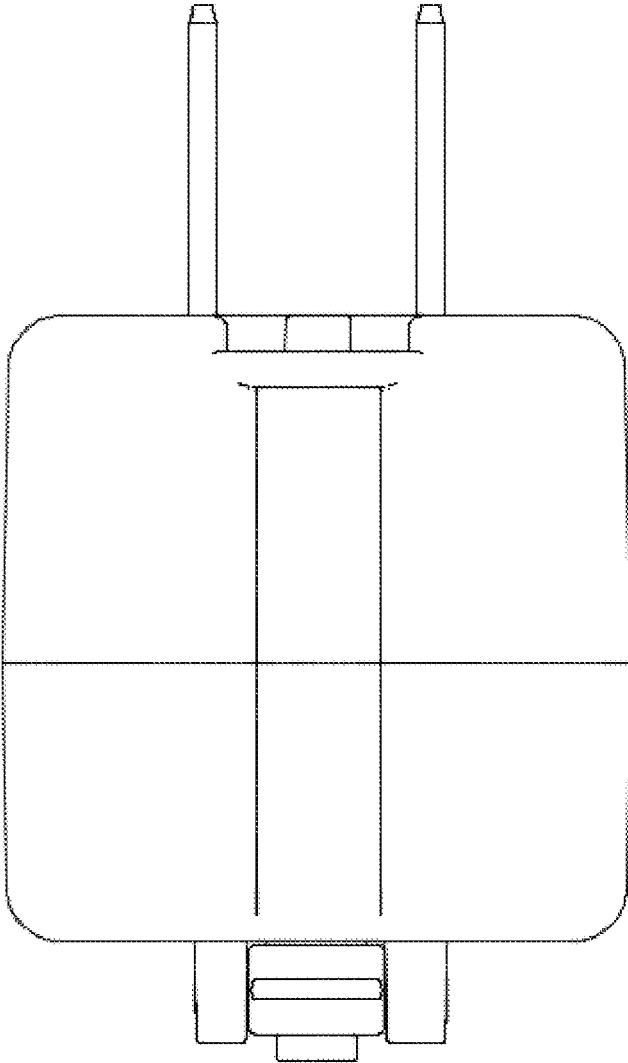


FIG. 9