



US0D1039765S

(12) **United States Design Patent**  
**Lim**

(10) **Patent No.:** **US D1,039,765 S**

(45) **Date of Patent:** **\*\* Aug. 20, 2024**

(54) **COSMETIC COMPACT**

(71) Applicant: **YONWOO CO., LTD.**, Incheon (KR)

(72) Inventor: **Sung Taek Lim**, Incheon (KR)

(73) Assignee: **YONWOO CO., LTD.**, Incheon (KR)

(\*\*) Term: **15 Years**

(21) Appl. No.: **29/883,176**

(22) Filed: **Jan. 25, 2023**

(30) **Foreign Application Priority Data**

Jul. 27, 2022 (KR) ..... 30-2022-0030284

(51) **LOC (14) Cl.** ..... **28-03**

(52) **U.S. Cl.**  
USPC ..... **D28/83**

(58) **Field of Classification Search**  
USPC ..... D28/9, 73, 76, 77, 78, 82, 83; D9/414,  
D9/430, 432, 420, 499  
CPC .. A45D 2040/225; A45D 40/22; A45D 40/00;  
A45D 33/00; A45D 2033/001; A45D  
33/003; A45D 33/006; A45D 33/008

See application file for complete search history.

(56) **References Cited**

**U.S. PATENT DOCUMENTS**

D479,016 S *	8/2003	Sgariboldi	.....	D28/78
D716,500 S *	10/2014	Parker	.....	D28/83
D721,854 S *	1/2015	Parker	.....	D28/83
D723,218 S *	2/2015	Goswell	.....	D28/83
D736,468 S *	8/2015	Goswell	.....	D28/83
D823,104 S *	7/2018	Shirley	.....	D9/432
D835,350 S *	12/2018	Weinrich	.....	D28/83
D855,676 S *	8/2019	Emami	.....	D16/203
D861,991 S *	10/2019	Liston	.....	D28/83
D884,974 S *	5/2020	Kim	.....	D28/83
D884,975 S *	5/2020	Kim	.....	D28/83
D919,892 S *	5/2021	Pascalie	.....	D28/82

D997,460 S *	8/2023	Matsuishi	.....	D28/83
2007/0029226 A1 *	2/2007	Yuhara	.....	A45D 33/24 206/823
2020/0383453 A1 *	12/2020	Jung	.....	A45D 40/14

**FOREIGN PATENT DOCUMENTS**

JP	D2023-01174	*	9/2023
KR	3020220030284	*	2/2023

**OTHER PUBLICATIONS**

Tetra Compact, Published on: Unknown (online), Retrieved on: Apr. 16, 2024 (online), [http://www.yonwookorea.com/shop/item.php?co\\_id=01Product\\_02&it\\_id=1678237644](http://www.yonwookorea.com/shop/item.php?co_id=01Product_02&it_id=1678237644) (Year: 2024).\*

(Continued)

*Primary Examiner* — Messina L Smith

*Assistant Examiner* — Elizabeth Borsetti

(74) *Attorney, Agent, or Firm* — Bridgeway IP Law Group, PLLC; Sang Ho Lee; Hyun Woo Shin

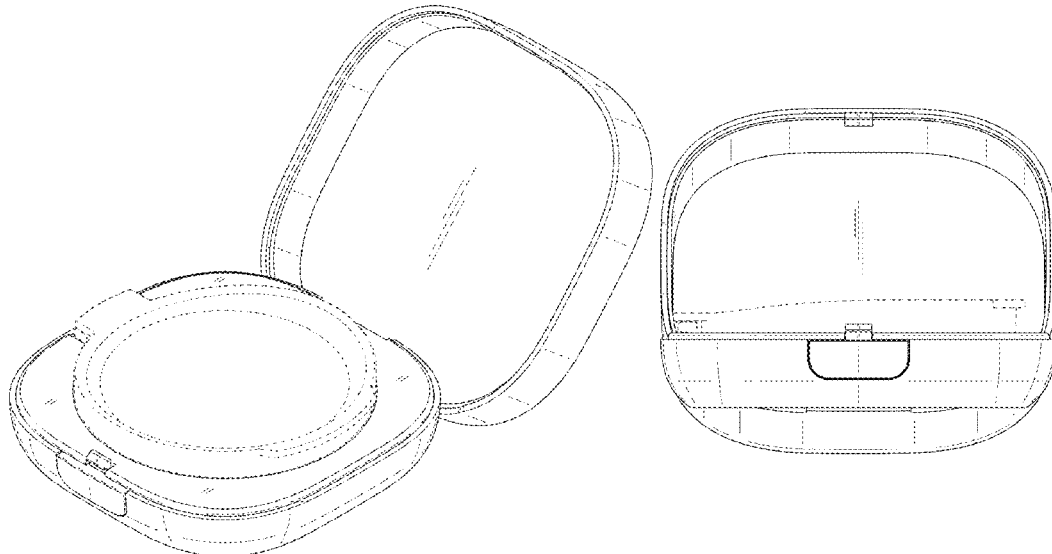
(57) **CLAIM**

I claim the ornamental design for a cosmetic compact, as shown and described.

**DESCRIPTION**

FIG. 1 is a top, front, right side perspective view of a cosmetic compact, showing my new design; FIG. 2 is a front elevation view thereof; FIG. 3 is a rear elevation view thereof; FIG. 4 is a left side elevation view thereof; FIG. 5 is a right side elevation view thereof; FIG. 6 is a top plan view thereof; FIG. 7 is a bottom plan view thereof; and, FIG. 8 is a top, rear, left side perspective view thereof. The broken lines in the drawings show portions of the cosmetic compact that form no part of the claimed design.

**1 Claim, 6 Drawing Sheets**



(56)

**References Cited**

OTHER PUBLICATIONS

Side Button compact Square, Published on: Unknown (online), Retrieved on: Apr. 16, 2024 (online), [http://www.yonwookorea.com/shop/item.php?it\\_id=1673402066](http://www.yonwookorea.com/shop/item.php?it_id=1673402066) (Year: 2024).\*

2Pcs 15ML Empty Square Foundation, Published on: Mar. 12, 2023 (online), Retrieved on: Apr. 16, 2024 (online), [https://www.amazon.com/Foundation-Make-up-Coemetic-Compact-Container/dp/B07GPJCQ81/ref=sr\\_1\\_23?](https://www.amazon.com/Foundation-Make-up-Coemetic-Compact-Container/dp/B07GPJCQ81/ref=sr_1_23?) (Year: 2023).\*

\* cited by examiner

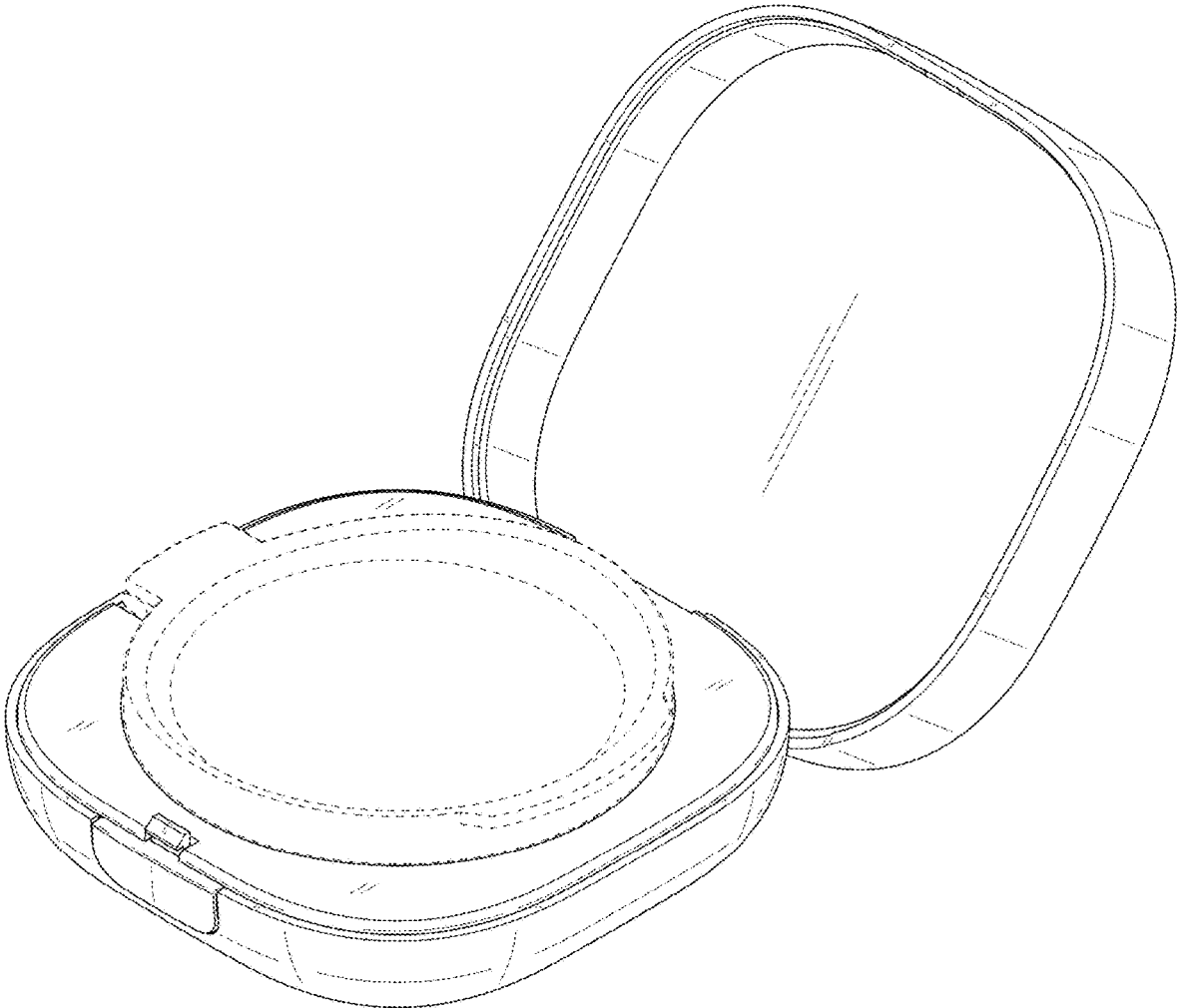


FIG. 1

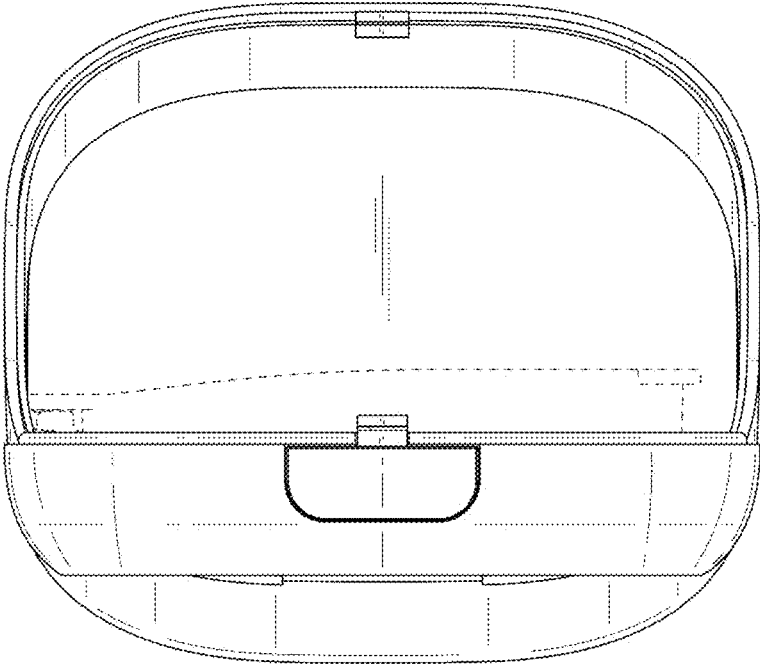


FIG. 2

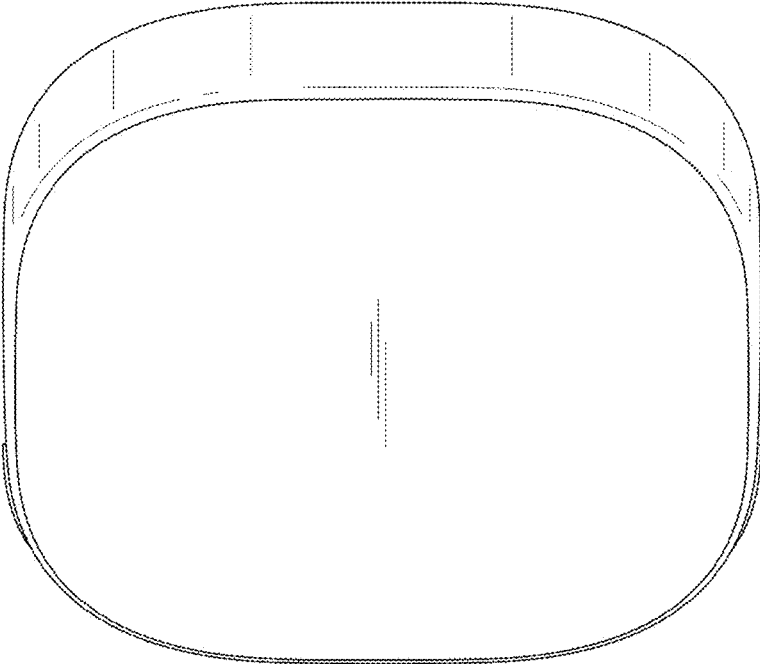


FIG. 3

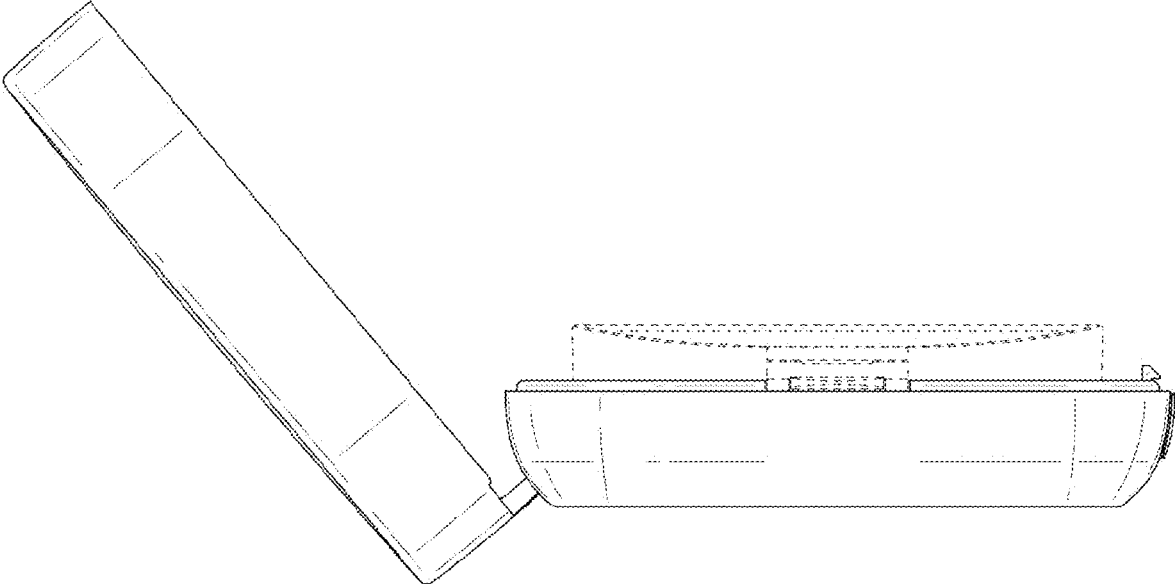


FIG. 4

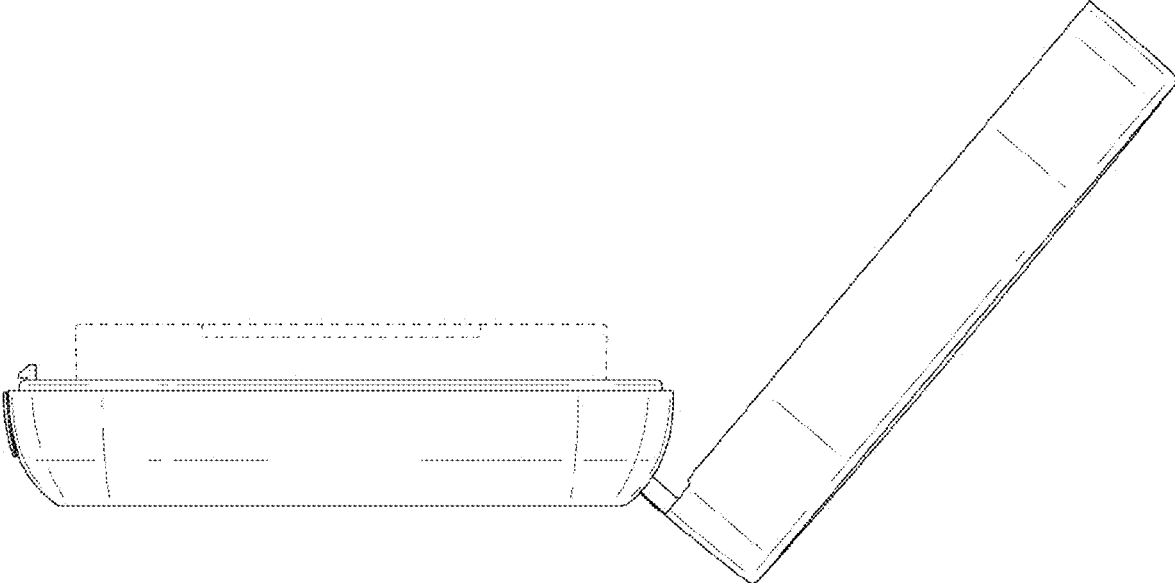


FIG. 5

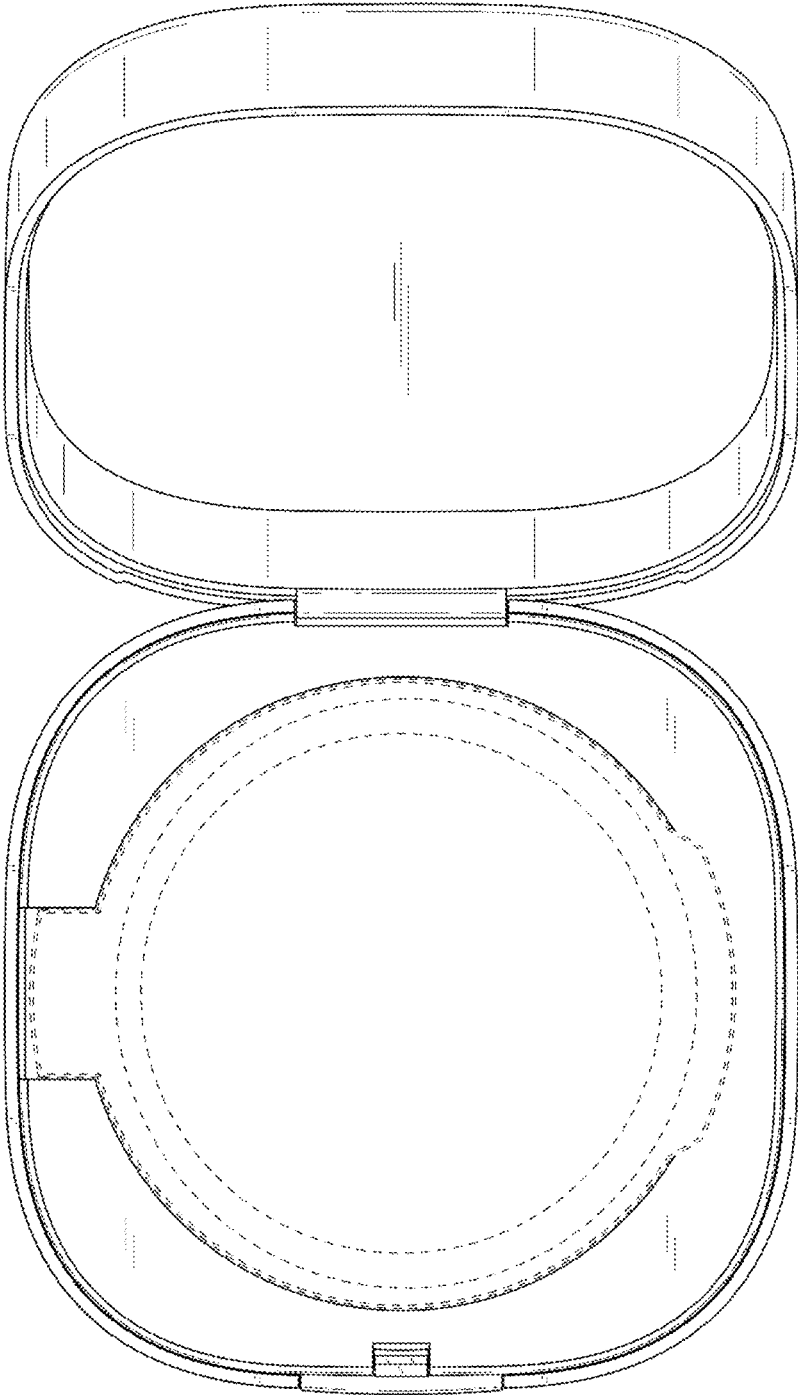


FIG. 6

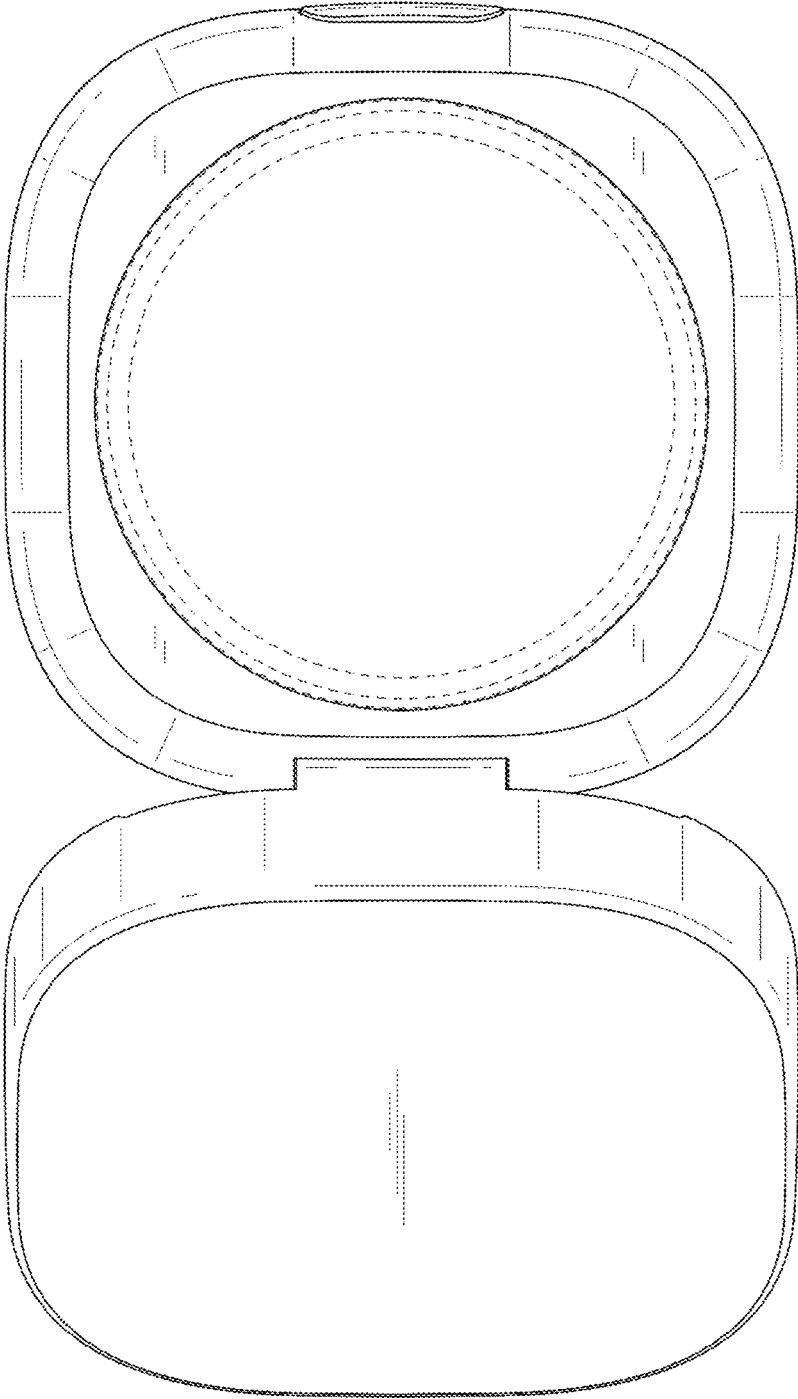


FIG. 7

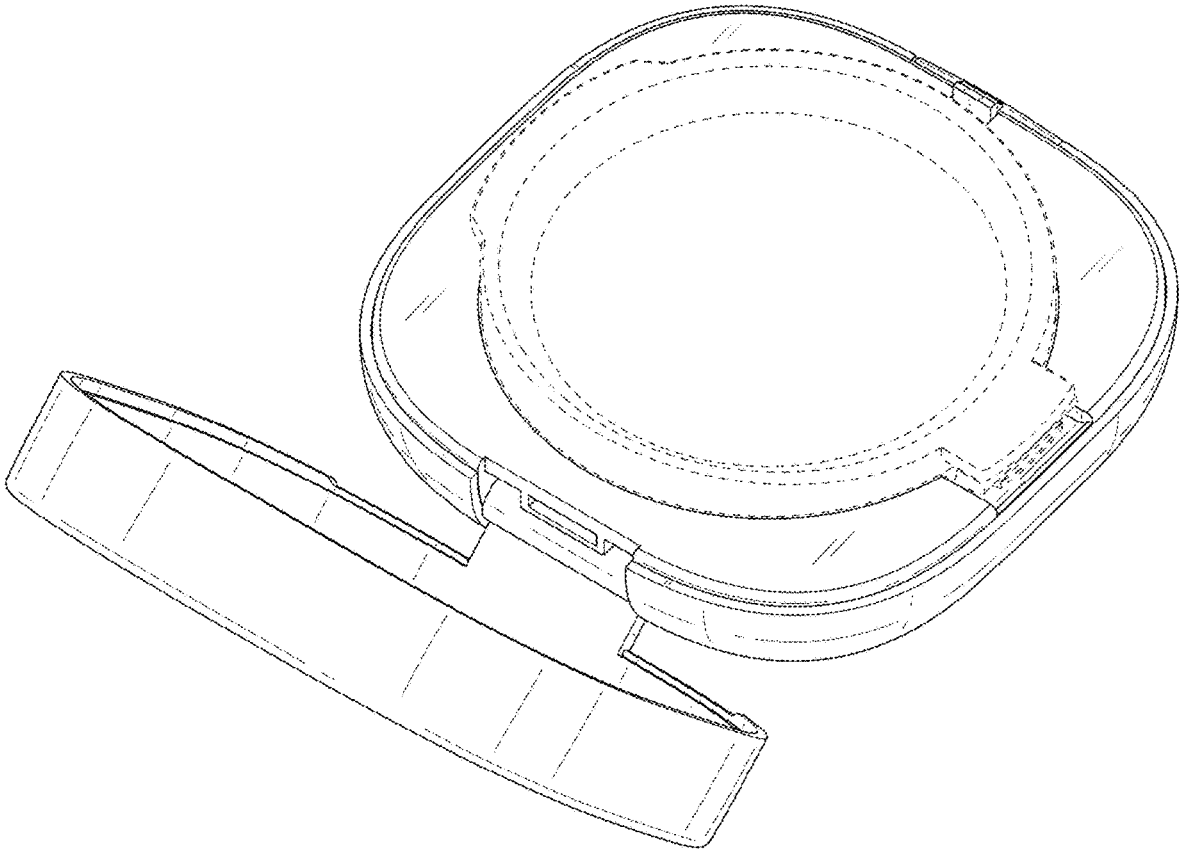


FIG. 8