



US00D976708S

(12) **United States Design Patent**
Terry et al.

(10) **Patent No.:** **US D976,708 S**
(45) **Date of Patent:** **** Jan. 31, 2023**

- (54) **CONTAINER**
- (71) Applicant: **Ring Container Technologies, LLC**
- (72) Inventors: **Trevell A. Terry**, Southaven, MS (US);
Paul Vincent Kelley, Arlington, TN (US);
Daniel Powers, Mukwonago, WI (US);
Carlos Mitchell, Picayune, MS (US)
- (73) Assignee: **RING CONTAINER TECHNOLOGIES, LLC**, Oakland, TN (US)

D889,268	S	*	7/2020	Gooden	D9/530
D894,744	S	*	9/2020	Shmueli	D9/528
D895,426	S	*	9/2020	Shmueli	D9/528
D896,087	S	*	9/2020	Kurri	D9/527
D902,726	S	*	11/2020	Meza	D9/575
D914,505	S	*	3/2021	Cantú	D9/527
D915,210	S	*	4/2021	Hegarty	D9/527
D918,045	S	*	5/2021	Yourist	D9/523
D919,436	S	*	5/2021	Currie	D9/569
D923,478	S	*	6/2021	Sestak	D9/527
D927,308	S	*	8/2021	Aubin	D9/527
D933,482	S	*	10/2021	Yourist, Jr.	D9/523
D935,322	S	*	11/2021	Darbyshire	D9/527
D961,185	S	*	8/2022	Bongiorno	D9/527
D967,710	S	*	10/2022	Smarrelli, Jr.	D9/531
2012/0267381	A1	*	10/2012	Trude	B29C 49/54 220/675

(**) Term: **15 Years**

(21) Appl. No.: **29/803,753**

(22) Filed: **Aug. 16, 2021**

(51) **LOC (14) Cl.** **09-01**

(52) **U.S. Cl.** **D9/528; D9/516**

(58) **Field of Classification Search**
USPC D9/527, 523, 569, 575, 528, 530, 524,
D9/531

CPC B65D 1/0223; B65D 21/0219; B65D
21/0202; B29C 49/54

See application file for complete search history.

(56) **References Cited**

U.S. PATENT DOCUMENTS

6,527,133	B1	*	3/2003	McCollum	B65D 1/0223 220/660
8,746,453	B1	*	6/2014	Hall	B65D 21/0202 215/385
D867,889	S	*	11/2019	Baumann	D9/575
10,486,847	B1	*	11/2019	Soehnlén	B65D 21/0219
D887,275	S	*	6/2020	Bertram	D9/524

* cited by examiner

Primary Examiner — Rhea Shields

(74) *Attorney, Agent, or Firm* — Sorell, Lenna & Schmidt, LLP

(57) **CLAIM**

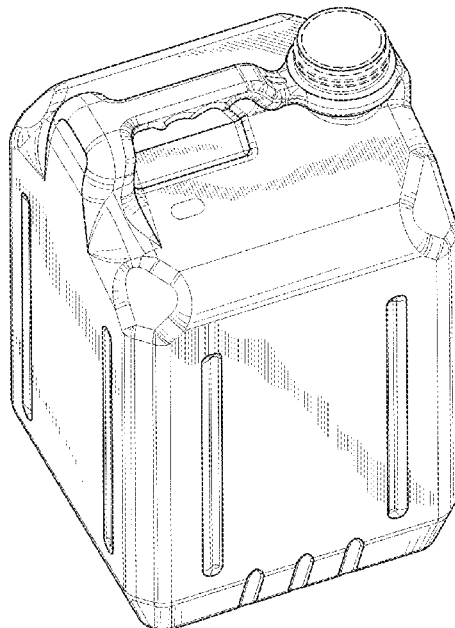
The ornamental design for a container, as shown and described.

DESCRIPTION

FIG. 1 is a perspective view of a container;
FIG. 2 is a side view of the container;
FIG. 3 is a front view of the container;
FIG. 4 is a side view of the container;
FIG. 5 is a rear view of the container;
FIG. 6 is a top view of the container; and,
FIG. 7 is a bottom view of the container.

In the drawings, the broken lines are for the purpose of illustrating portions of the container that form no part of the claimed design.

1 Claim, 7 Drawing Sheets



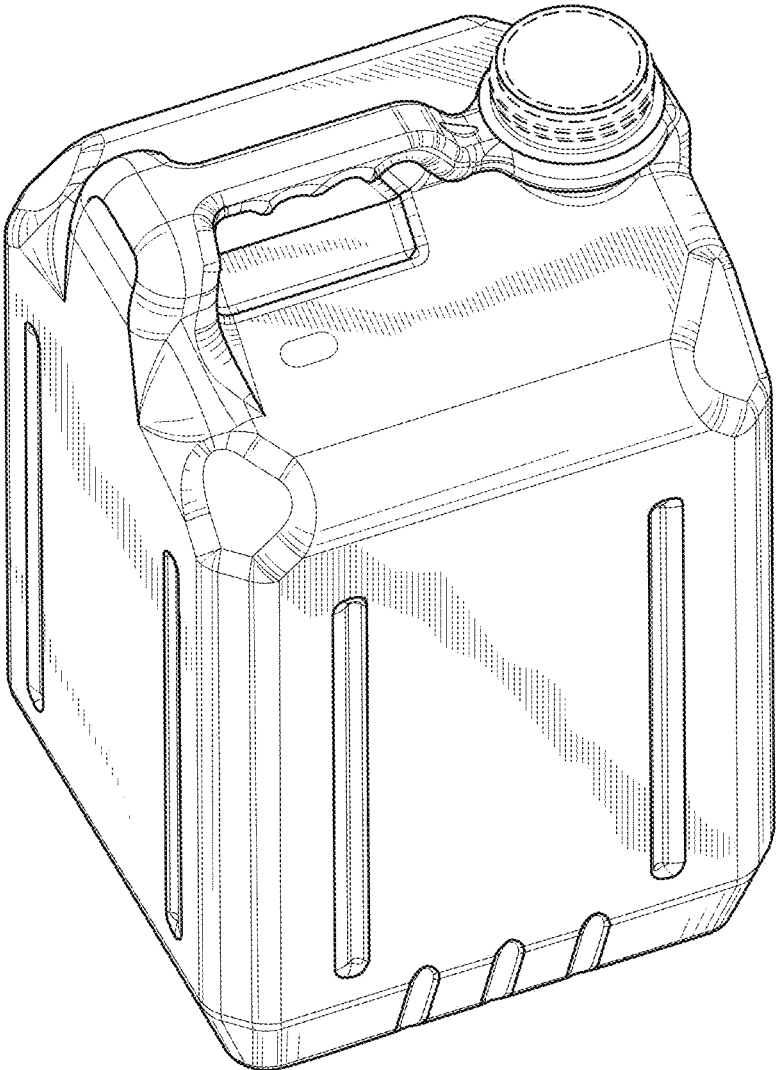


FIG. 1

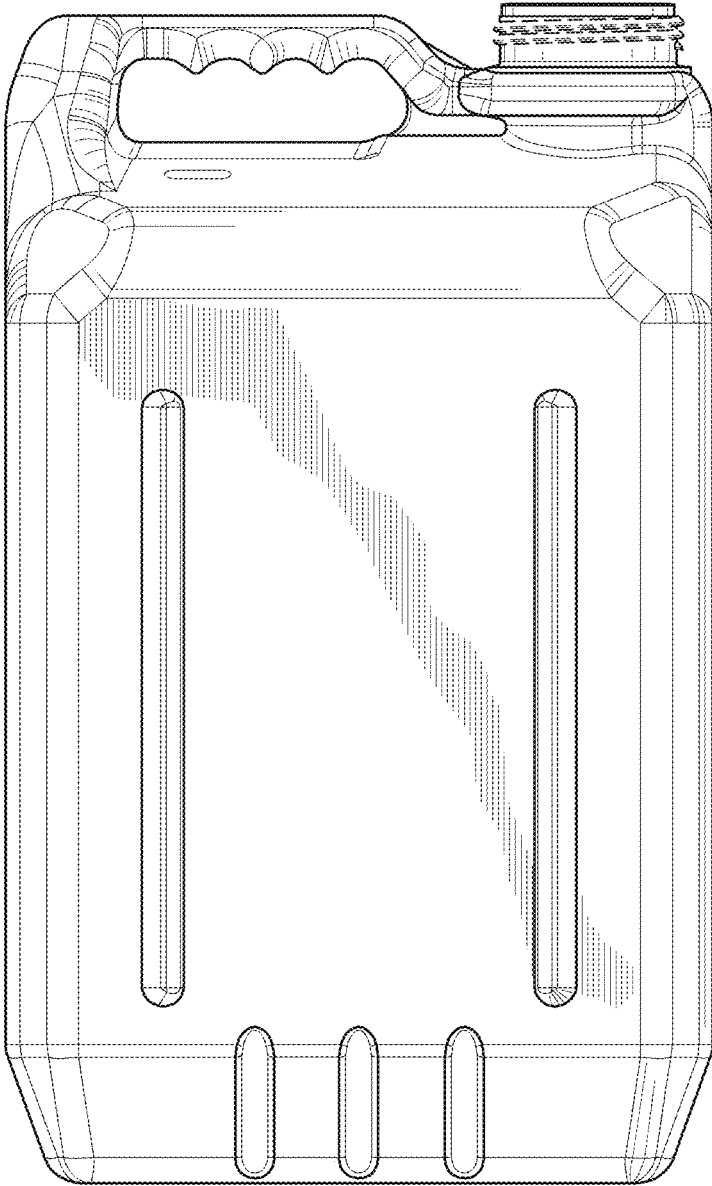


FIG. 2

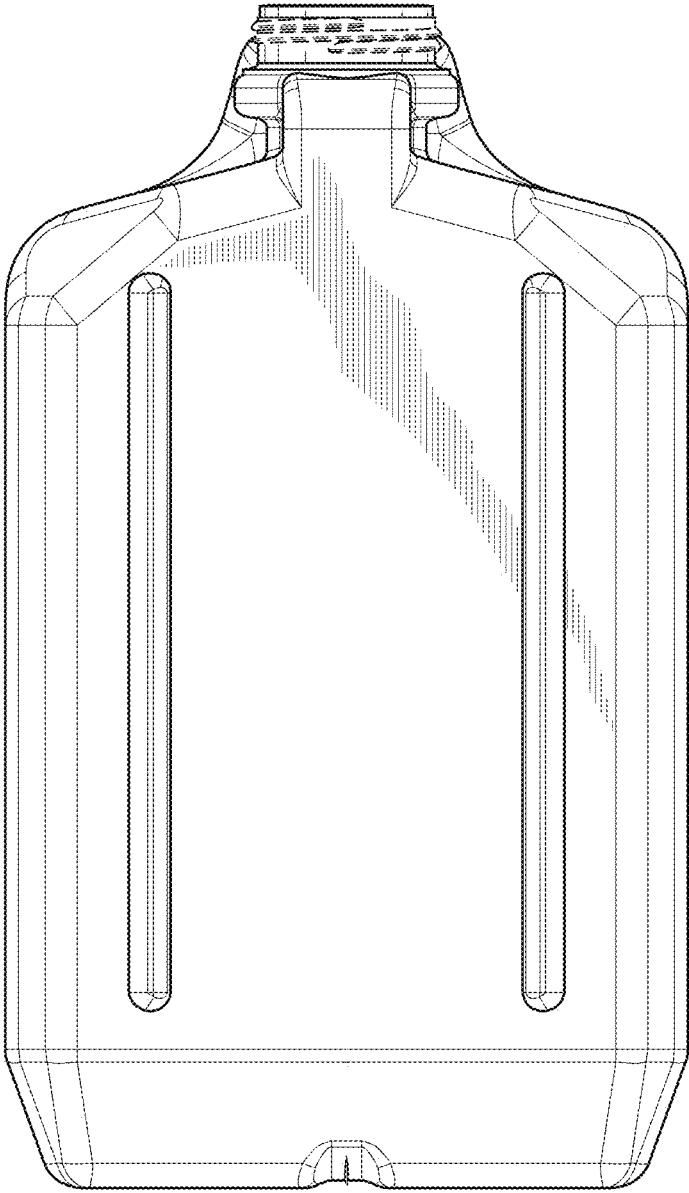


FIG. 3

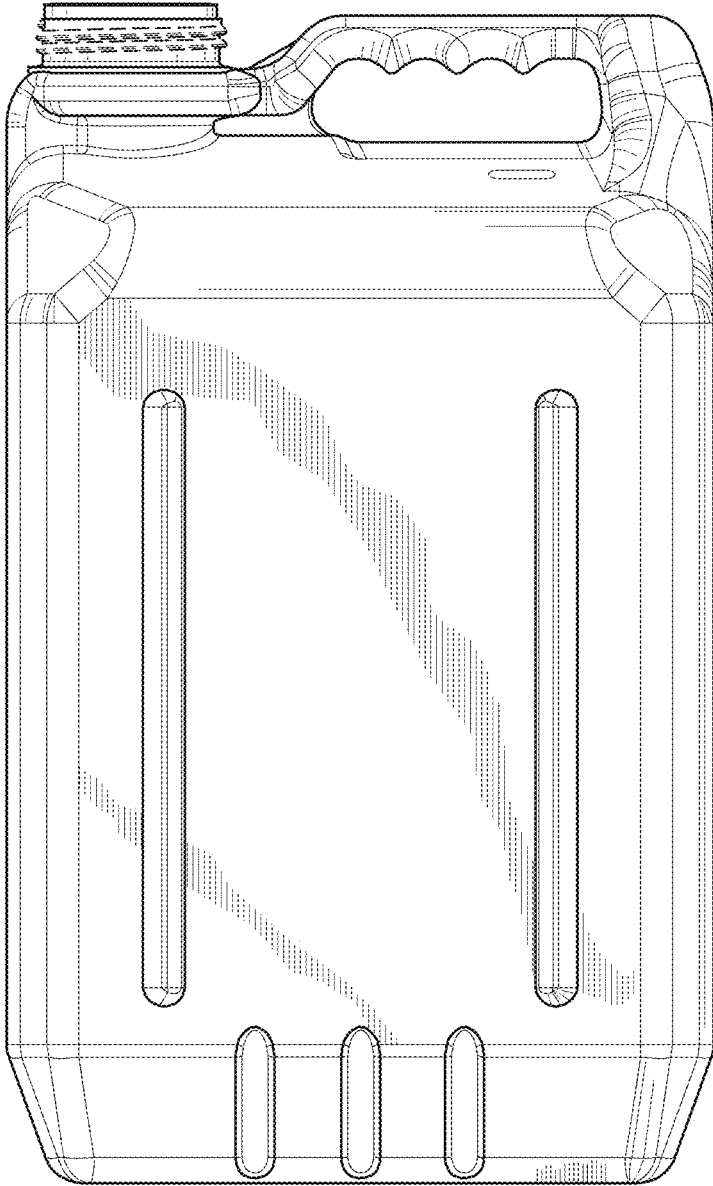


FIG. 4

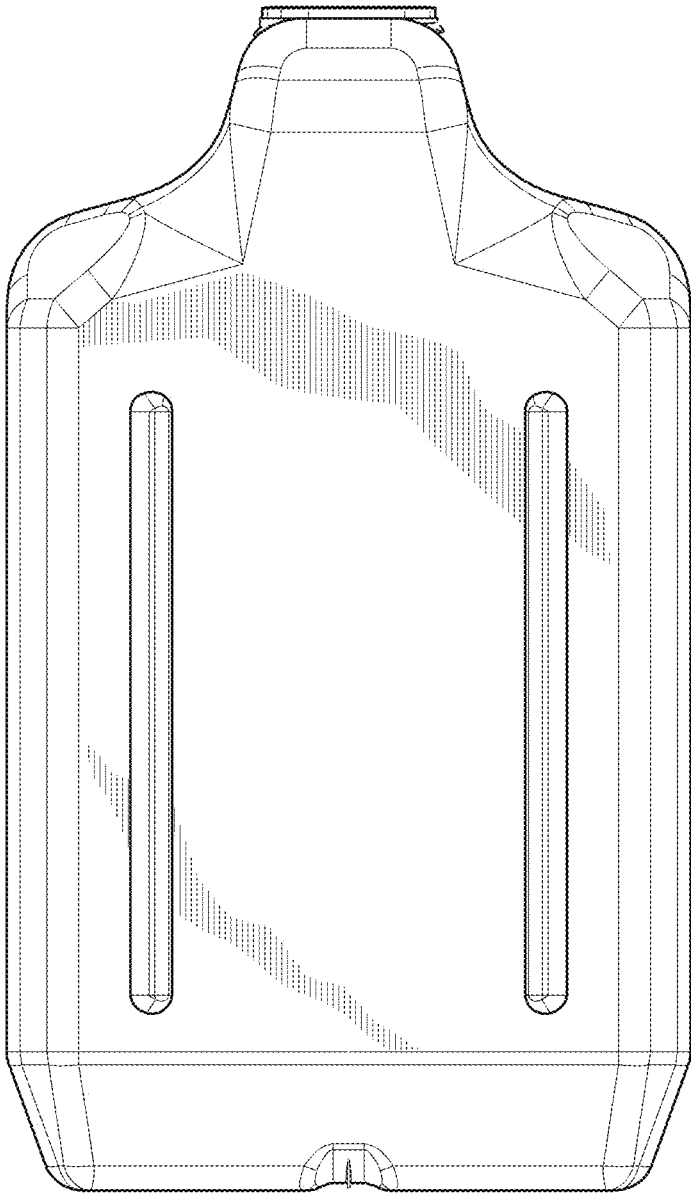


FIG. 5

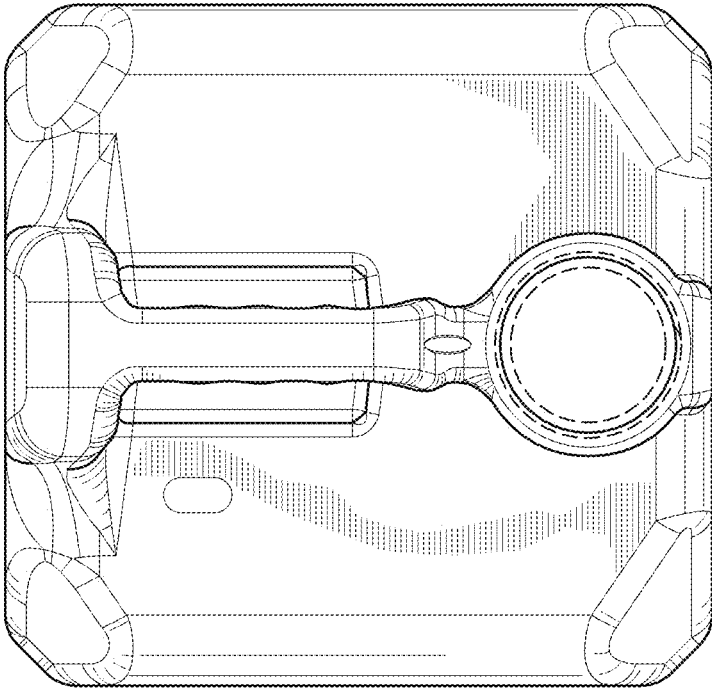


FIG. 6

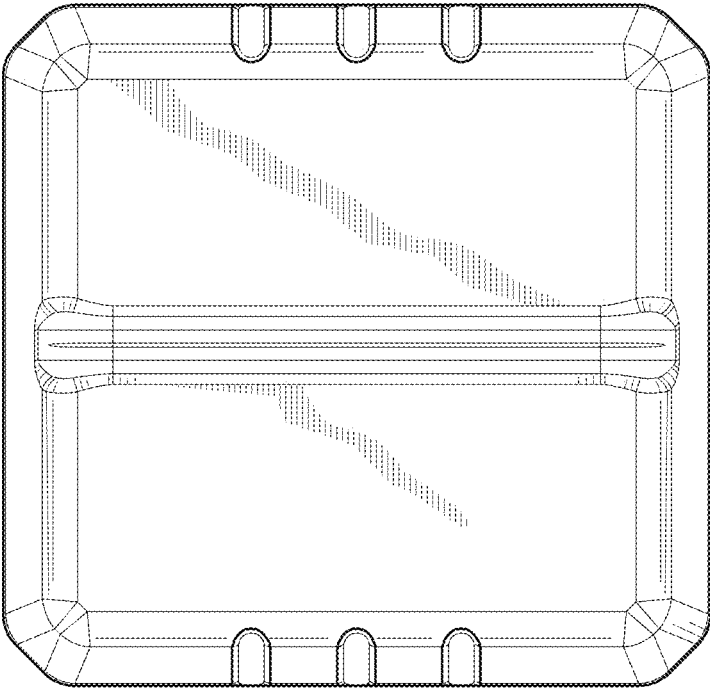


FIG. 7