



US0D1044772S

(12) **United States Design Patent**
Yu et al.

(10) **Patent No.:** **US D1,044,772 S**
(45) **Date of Patent:** **** Oct. 1, 2024**

- (54) **LOUDSPEAKER**
- (71) Applicant: **Shenzhen Divoom Technology Co., LTD.,** Shenzhen (CN)
- (72) Inventors: **Chaoliang Yu,** Shenzhen (CN); **Wen Jian,** Shenzhen (CN)
- (73) Assignee: **Shenzhen Divoom Technology Co., LTD.,** Shenzhen (CN)

D434,403	S	*	11/2000	Jaynes	D14/138	R
D452,857	S	*	1/2002	Hong	D14/206	
D598,895	S	*	8/2009	Bentley	D14/206	
D923,603	S	*	6/2021	Ming	D14/214	
D931,826	S	*	9/2021	Huang	D14/214	
D931,827	S	*	9/2021	Huang	D14/214	
D933,038	S	*	10/2021	Huang	D14/214	
D952,603	S	*	5/2022	Wen	D14/214	
D964,310	S	*	9/2022	Zeng	D14/204	

(**) Term: **15 Years**

(21) Appl. No.: **29/843,022**

(22) Filed: **Jun. 17, 2022**

(51) **LOC (14) Cl.** **14-01**

(52) **U.S. Cl.**
USPC **D14/215;** D14/172; D14/195; D14/214

(58) **Field of Classification Search**
 USPC D14/167, 168, 170–172, 188, 193–198,
 D14/203.1–203.8, 204, 209.1, 210–217,
 D14/219, 221, 222, 224, 239, 496,
 D14/185–187, 205, 206, 225, 226, 249
 CPC B60R 11/0217; G06F 1/1688; G10K 9/22;
 G10K 11/004; H03F 1/327; H04M 1/03;
 H04M 1/035; H04N 5/642; H04N
 21/4852; H04R 1/02; H04R 1/06; H04R
 1/021; H04R 1/025; H04R 1/026; H04R
 1/028; H04R 1/105; H04R 1/323; H04R
 1/403; H04R 1/2803; H04R 1/2834;
 H04R 5/02; H04R 7/20; H04R 9/06;
 H04R 9/025; H04R 2201/021; H04R
 2400/00; H04R 2400/07; H04R 2499/11;
 H04R 2499/13; H04R 2499/15; H04S
 3/00; H04S 7/30

See application file for complete search history.

(56) **References Cited**

U.S. PATENT DOCUMENTS

4,020,297	A	*	4/1977	Brodie	H04R 1/1066	
						D14/206	
5,787,166	A	*	7/1998	Ullman	H04R 1/105	
						D14/206	

OTHER PUBLICATIONS

Amazon-Divoom; “Divoom Beetles Mini Bluetooth Speaker . . .”; [online] ‘<https://www.amazon.com/dp/B09TYZK7CT>’; Dated Mar. 7, 2022; Accessed Apr. 15, 2024; 3PGS. (Year: 2022).*

Amazon-Response Bridge; “Voice Amplifier . . .”; [online] ‘<https://www.amazon.com/dp/B09NVYQF7R>’; Dated Feb. 22, 2022; Accessed Apr. 15, 2024; 6PGS. (Year: 2022).*

(Continued)

Primary Examiner — Keli L Hill

(57) **CLAIM**

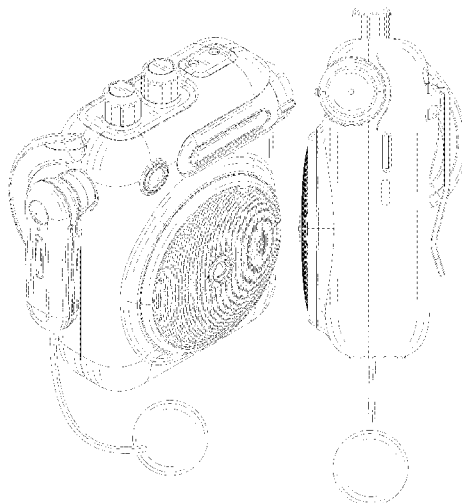
The ornamental design for a loudspeaker, as shown and described.

DESCRIPTION

FIG. 1 is a perspective view of a loudspeaker showing our new design;
 FIG. 2 is a front view thereof;
 FIG. 3 is a back view thereof;
 FIG. 4 is a left view thereof;
 FIG. 5 is a right view thereof;
 FIG. 6 is a top view thereof; and,
 FIG. 7 is a bottom view thereof.

The broken lines shown on the drawings depict portions of the loudspeaker that form no part of the claimed design.

1 Claim, 7 Drawing Sheets



(56)

References Cited

OTHER PUBLICATIONS

Amazon-Yoceweca; "Voice Amplifier With Wireless Headset Mic . . ."; [online] '<https://www.amazon.com/dp/B07F8RTWKQ>'; Dated Jul. 5, 2018; Accessed Apr. 15, 2024; 7PGS. (Year: 2018).*

Amazon-Gigaphone; ". . . Portable Voice Amplifier With Microphone . . ."; [online] '<https://www.amazon.com/dp/B07P1WH3W3>'; Dated Feb. 19, 2019; Accessed Apr. 15, 2024; 12PGS. (Year: 2019).*

* cited by examiner

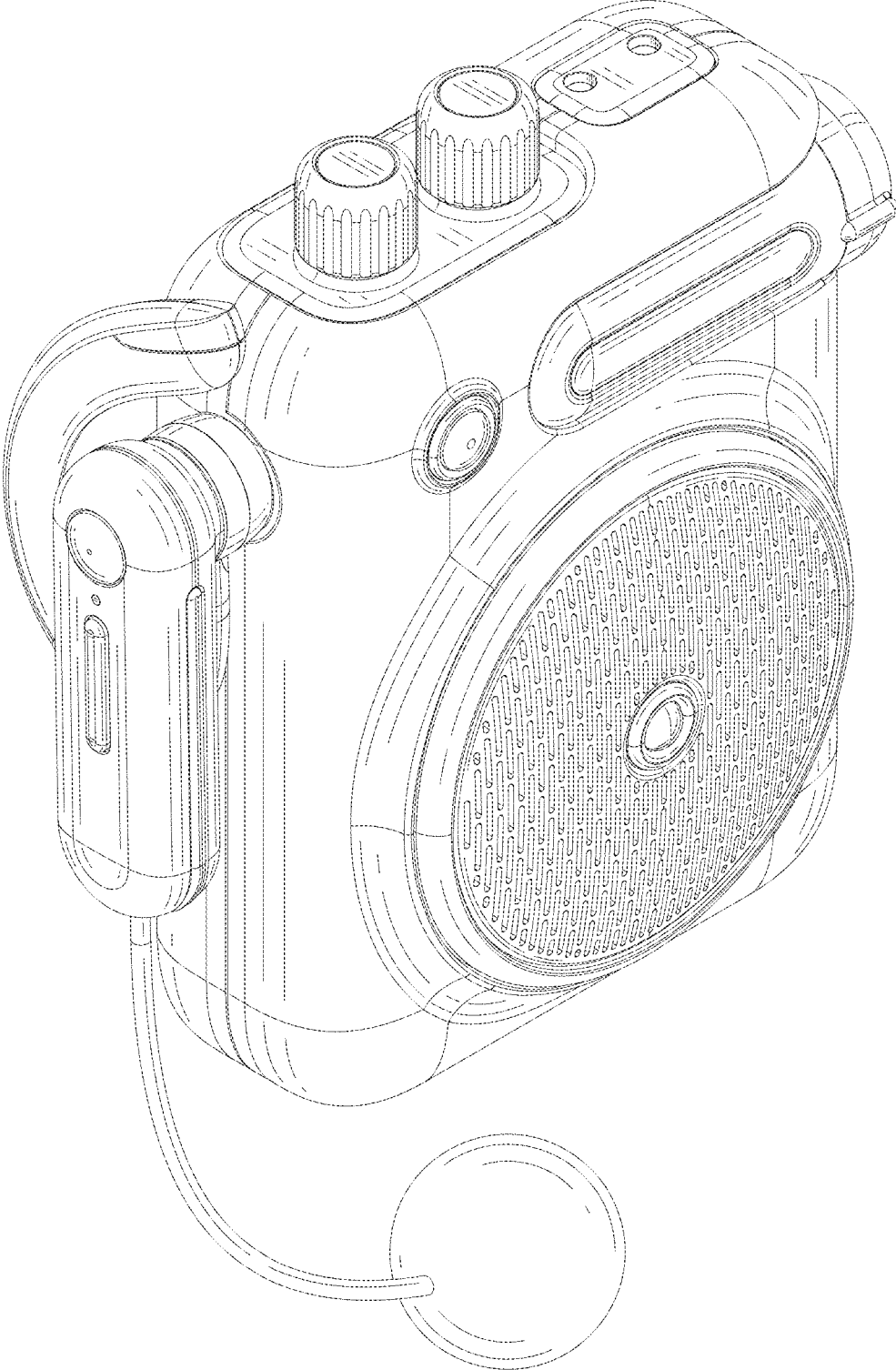


FIG. 1

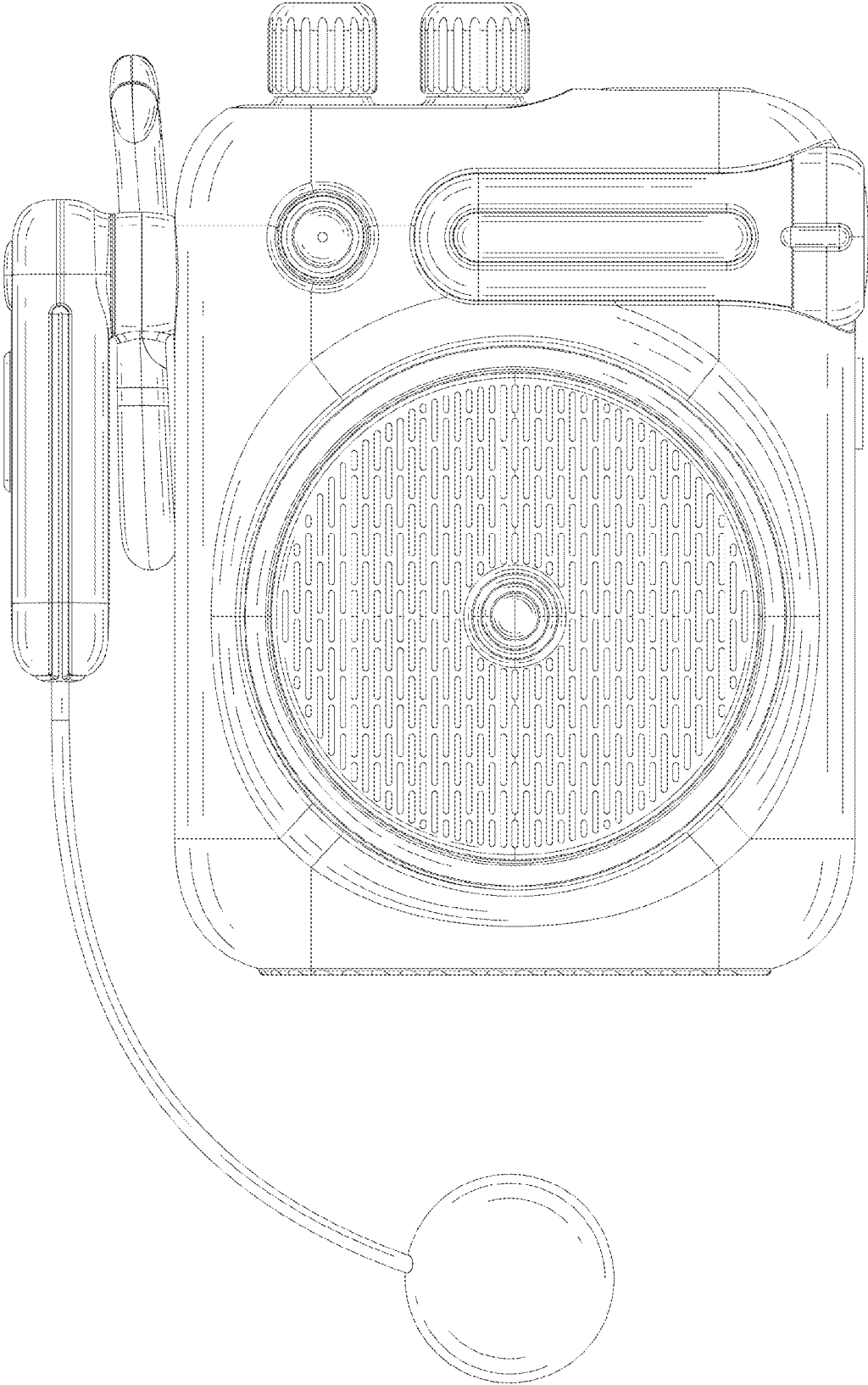


FIG. 2

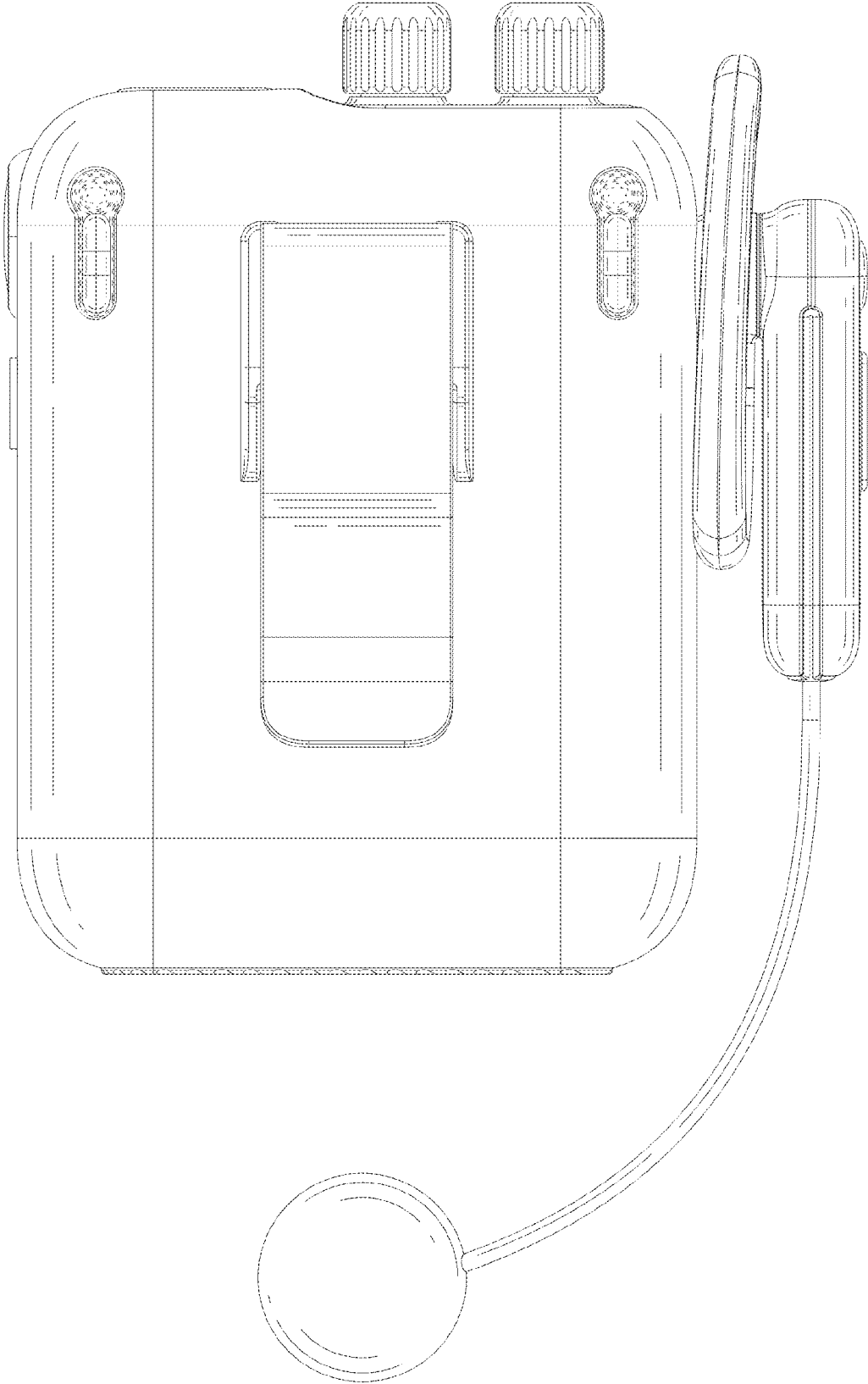


FIG. 3

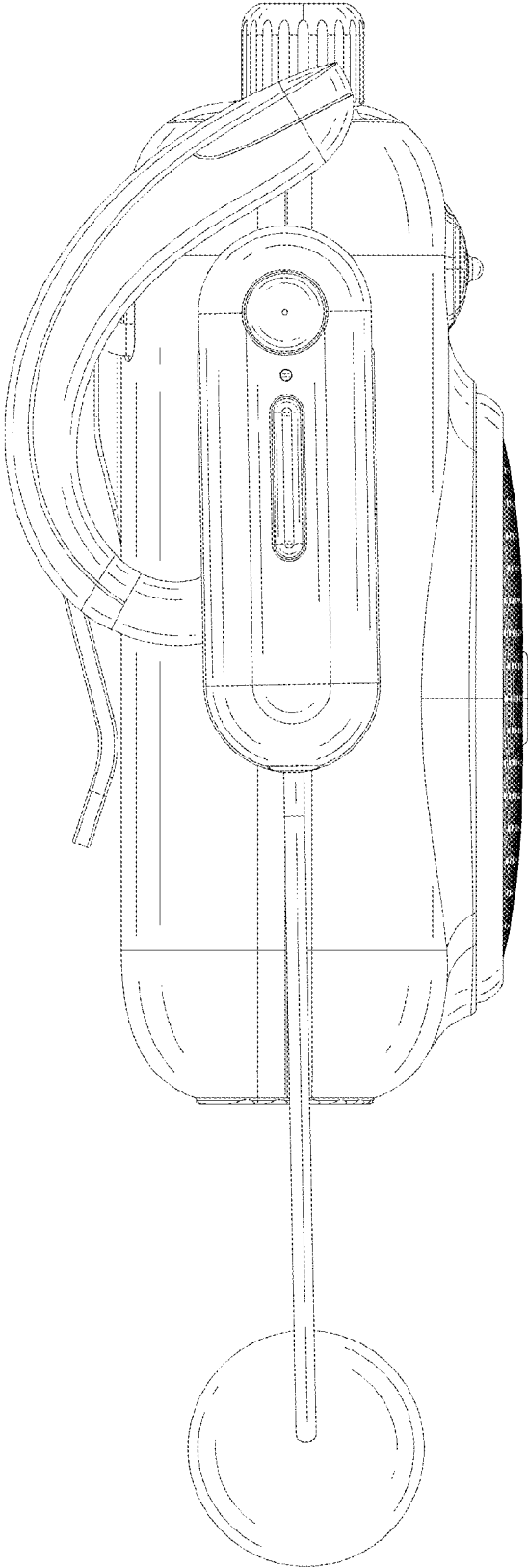


FIG. 4

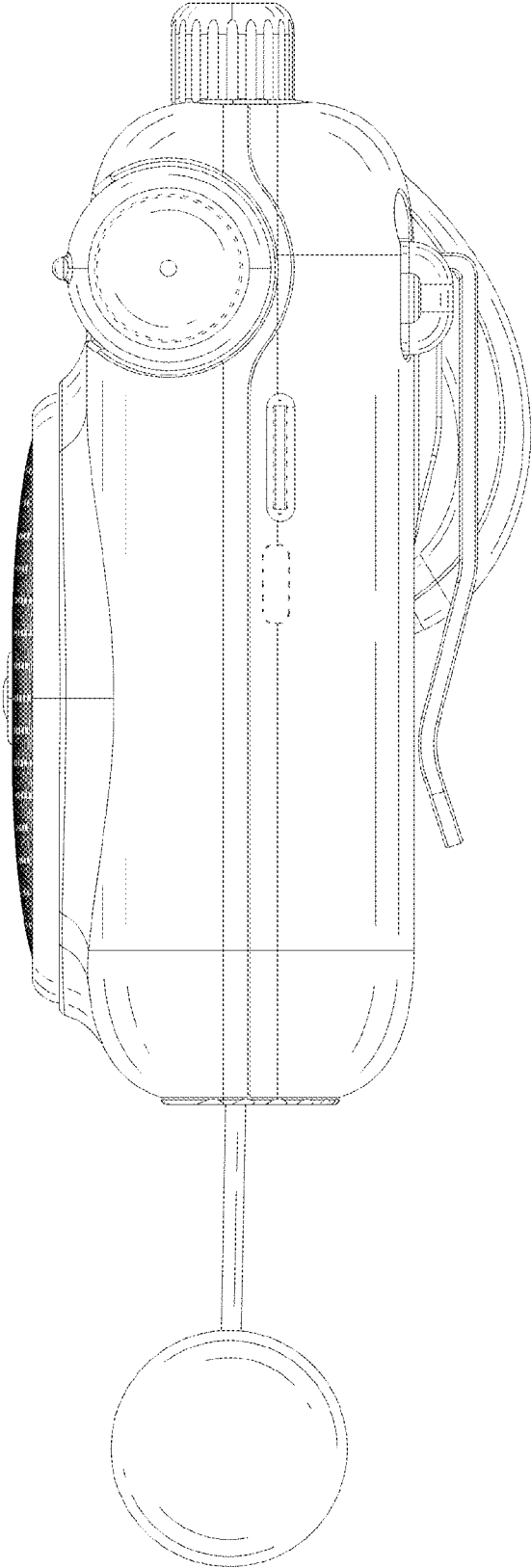


FIG. 5

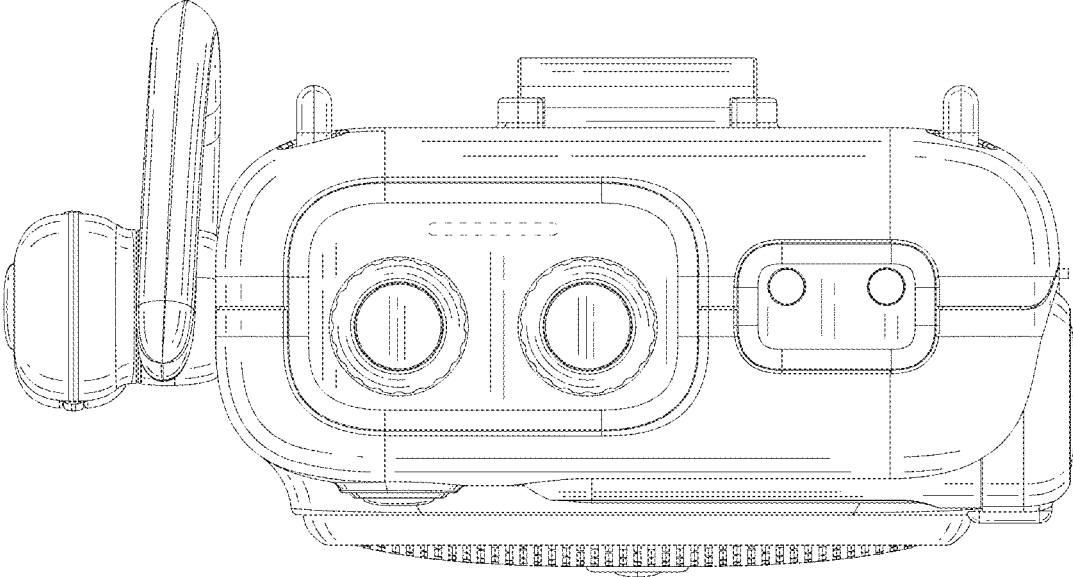


FIG. 6

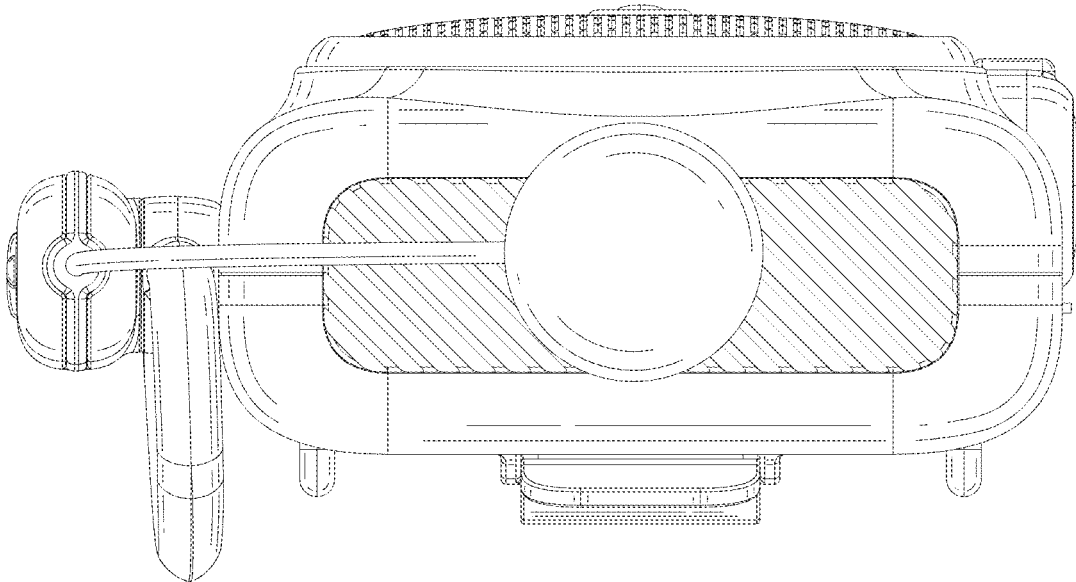


FIG. 7