



US00D712254S

(12) **United States Design Patent**  
**Geis et al.**

(10) **Patent No.:** **US D712,254 S**

(45) **Date of Patent:** **\*\* Sep. 2, 2014**

(54) **MOUNTING CAP FOR DISPENSER CARRIER**

(75) Inventors: **Mark W. Geis**, Oak Creek, WI (US);  
**Donald J. Schumacher**, Racine, WI  
(US); **Damien Vizcarra**, Pasadena, CA  
(US); **Alexandre Hennen**, Santa  
Monica, CA (US)

(73) Assignee: **S.C. Johnson & Son, Inc.**, Racine, WI  
(US)

(\*\*) Term: **14 Years**

(21) Appl. No.: **29/429,325**

(22) Filed: **Aug. 9, 2012**

(51) **LOC (10) Cl.** ..... **09-07**

(52) **U.S. Cl.**

USPC ..... **D9/436**

(58) **Field of Classification Search**

USPC ..... D7/300.1, 392, 392.1, 396.1, 396.2,  
D7/502, 503, 504, 505, 509, 510, 511, 523,  
D7/529, 530, 532, 538, 590, 605, 608,  
D7/638; D8/356, 382, 383, 394, 395;  
D9/418, 429, 435, 436, 438, 439, 440,  
D9/443, 444, 445, 447, 448, 449, 450,  
D9/452-54, 500, 502, 503, 504, 529, 538,  
D9/551, 552, 553, 561, 564, 565, 682, 689,  
D9/661, 662, 709, 715, 716, 718, 726, 728,  
D9/781; D10/46.2; D11/152; D23/223,  
D23/260; 73/426; 215/12.1, 222, 228, 237,  
215/254, 281, 383, 387, 388, 395, 396,  
215/399; 220/4.26, 200, 212, 212.5, 254.9,  
220/270, 271, 284, 345.1, 547, 574, 575,  
220/592.16, 605, 606, 674, 675, 703, 708,  
220/713, 719, 751, 796; 222/5, 148, 180,  
222/402.13, 547, 567; 224/148.7, 269;  
229/400; 248/339; 383/68

See application file for complete search history.

(56) **References Cited**

U.S. PATENT DOCUMENTS

D367,921 S \* 3/1996 Lewellen ..... D23/260  
D422,916 S \* 4/2000 Herrmann ..... D9/501  
D458,133 S \* 6/2002 Berish et al. .... D9/443

(Continued)

FOREIGN PATENT DOCUMENTS

EM 000480397-0001 3/2006

*Primary Examiner* — Susan Bennett Hattan

*Assistant Examiner* — Leanne Was

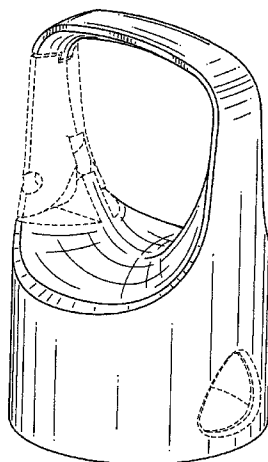
(57) **CLAIM**

An ornamental design for a mounting cap for a dispenser carrier, as shown and described.

**DESCRIPTION**

FIG. 1 is a perspective view of our invention;  
FIG. 2 is a front elevational view thereof;  
FIG. 3 is a rear elevational view thereof;  
FIG. 4 is a right side elevational view thereof;  
FIG. 5 is a left side elevational view thereof;  
FIG. 6 is a top plan view thereof;  
FIG. 7 is a bottom plan view thereof;  
FIG. 8 is a view thereof similar to FIG. 2, but showing the environment of a clip latch in an alternative, open position;  
FIG. 9 is another perspective view thereof, but showing the environment of two possible apertures at different positions (three o'clock and nine o'clock instead of twelve o'clock and six o'clock);  
FIG. 10 is a view similar to FIG. 2, but with the FIG. 9 environment; and,  
FIG. 11 is a view similar to FIG. 4, but with the FIG. 9 environment.  
The dotted line representations of apertures in FIGS. 1-6 and 8-11, clip latching structures in FIGS. 1-3, 5, 6 and 8-11, and of internal structure in FIG. 7, are for purposes of illustration only and form no part of the claim.

**1 Claim, 10 Drawing Sheets**



(56)

References Cited

U.S. PATENT DOCUMENTS

D458,134 S *	6/2002	Berish et al. ....	D9/443	D572,585 S *	7/2008	Perrin et al. ....	D9/443
D479,800 S *	9/2003	McRae .....	D9/443	D608,195 S *	1/2010	Germann .....	D9/443
D482,607 S *	11/2003	McRae .....	D9/614	D631,666 S *	2/2011	Lim et al. ....	D4/129
D485,757 S	1/2004	Roth et al.		D647,407 S	10/2011	Toh et al.	
D530,608 S	10/2006	Nukuto et al.		D652,255 S *	1/2012	Carland .....	D7/510
D531,030 S	10/2006	Nukuto et al.		D662,360 S *	6/2012	George .....	D7/510
D542,598 S	5/2007	Karp		D664,809 S *	8/2012	Eyal .....	D7/510
D563,782 S *	3/2008	Benson et al. ....	D9/436	D665,621 S *	8/2012	Eyal .....	D7/392.1
D568,740 S *	5/2008	Williams .....	D9/436	D693,170 S *	11/2013	Rosbach .....	D7/392.1
				2004/0217139 A1 *	11/2004	Roth et al. ....	224/148.7
				2008/0078787 A1	4/2008	Yelland	

\* cited by examiner

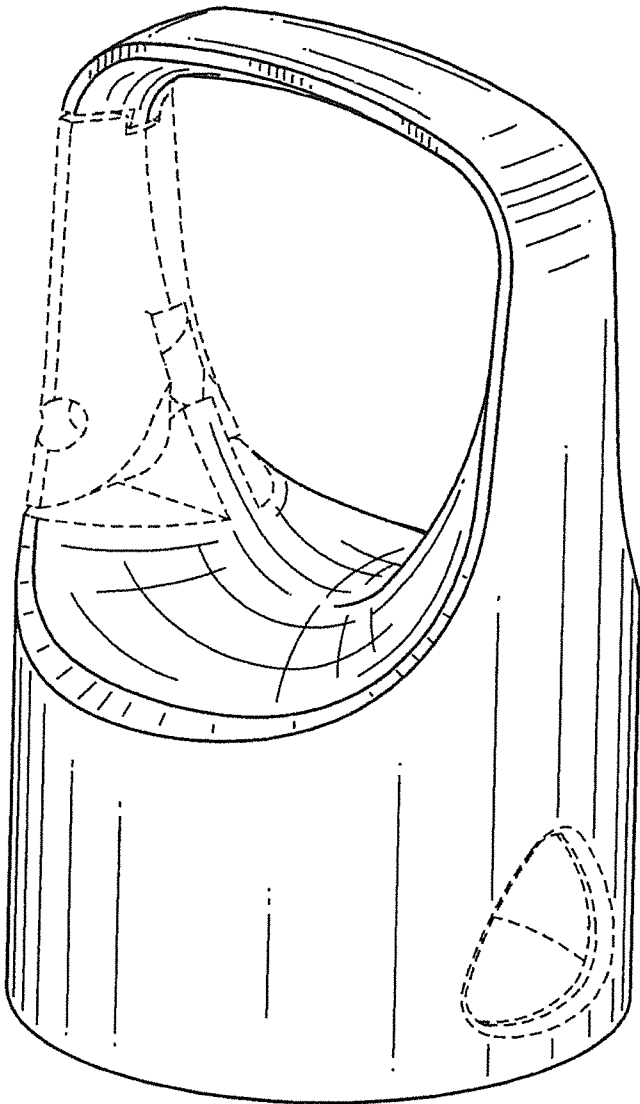


FIG. 1

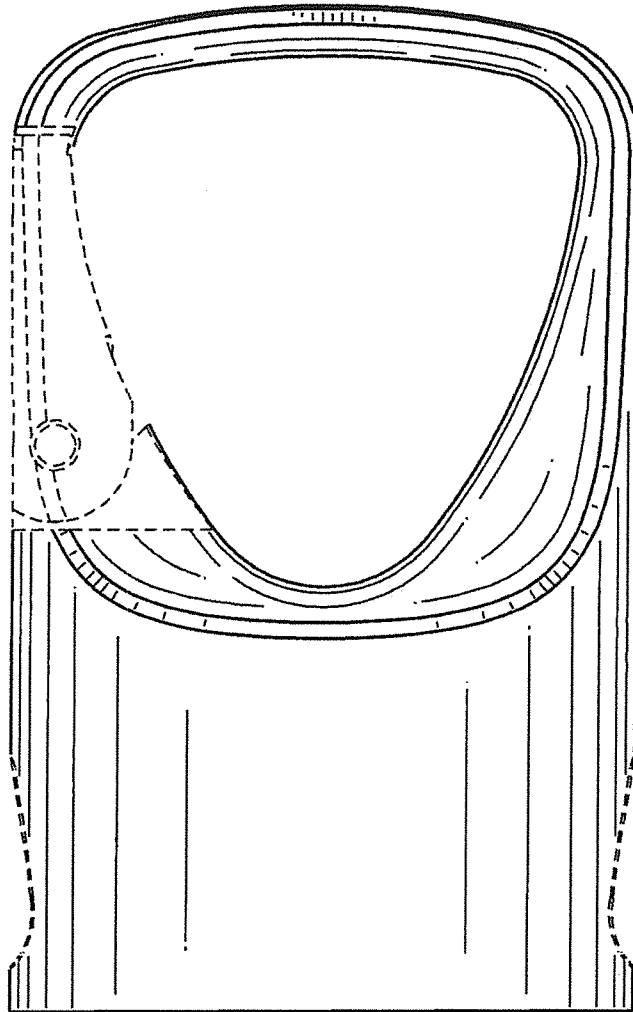


FIG. 2

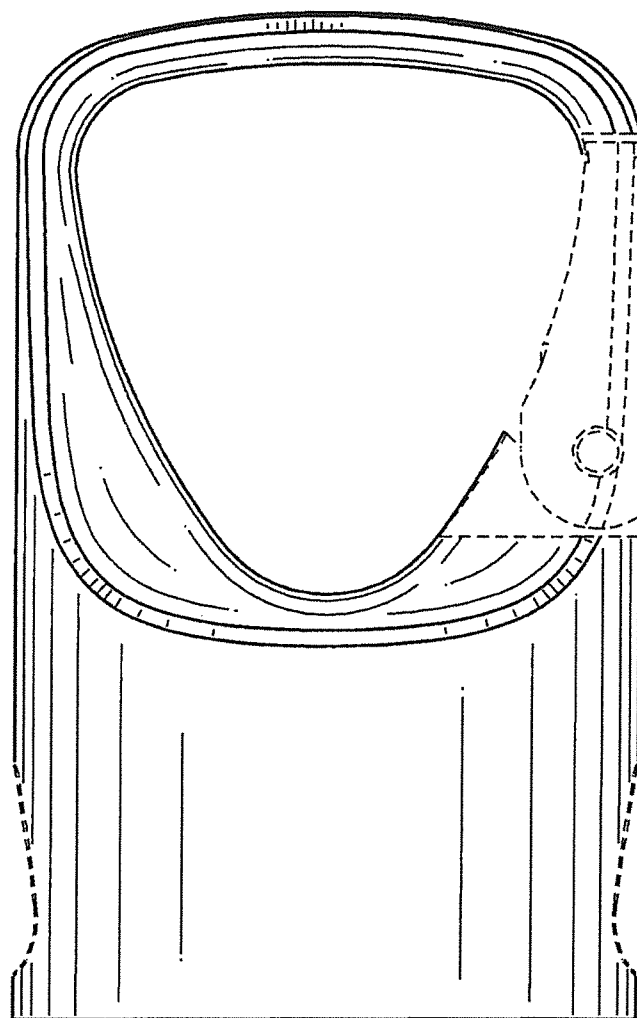


FIG. 3

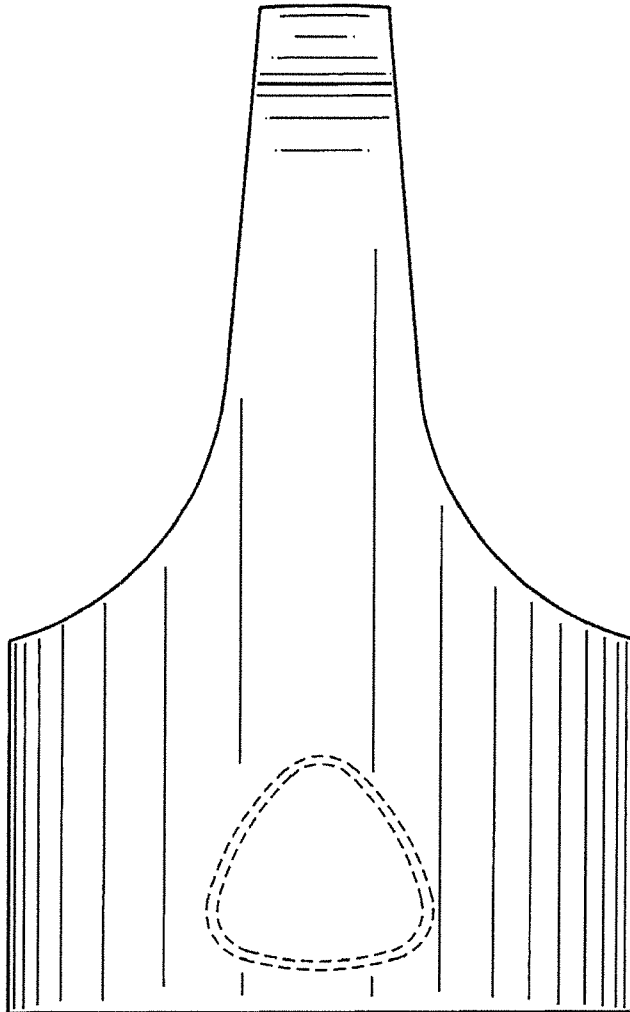


FIG. 4

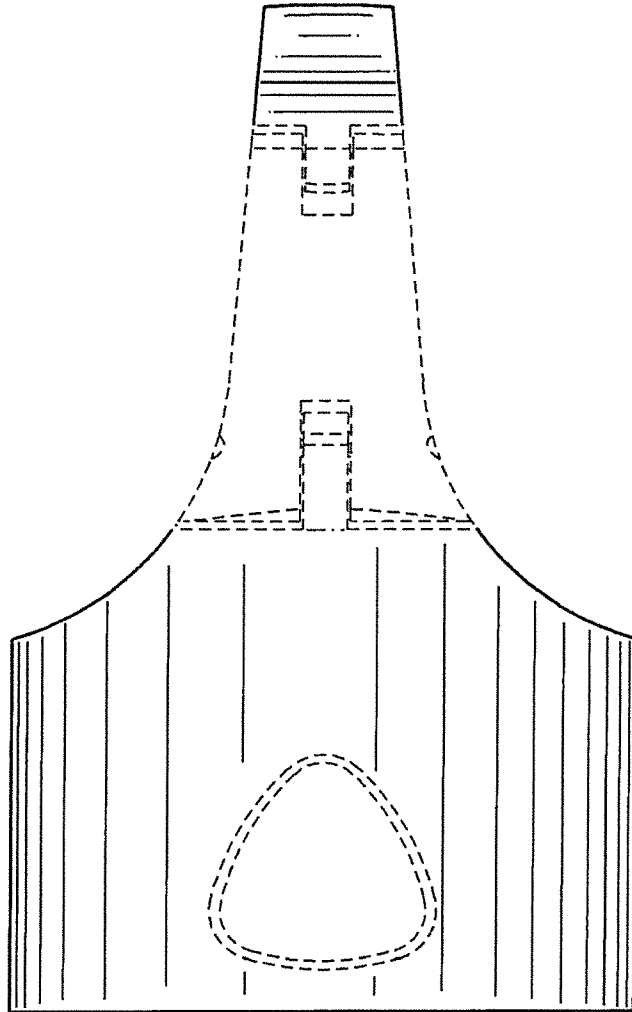


FIG. 5

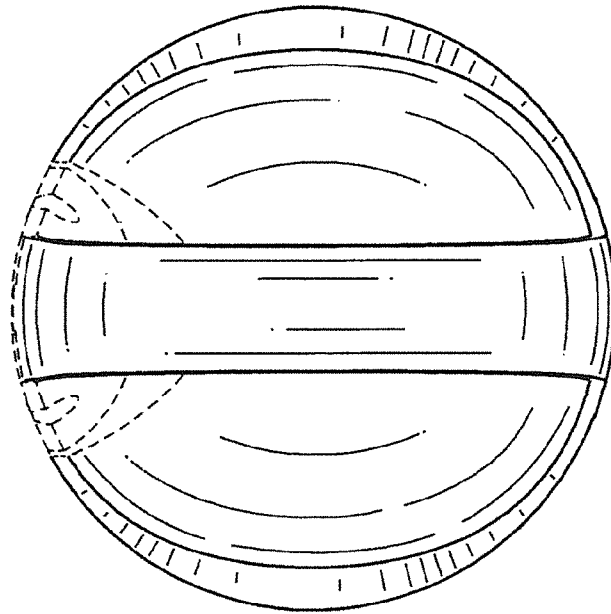


FIG. 6

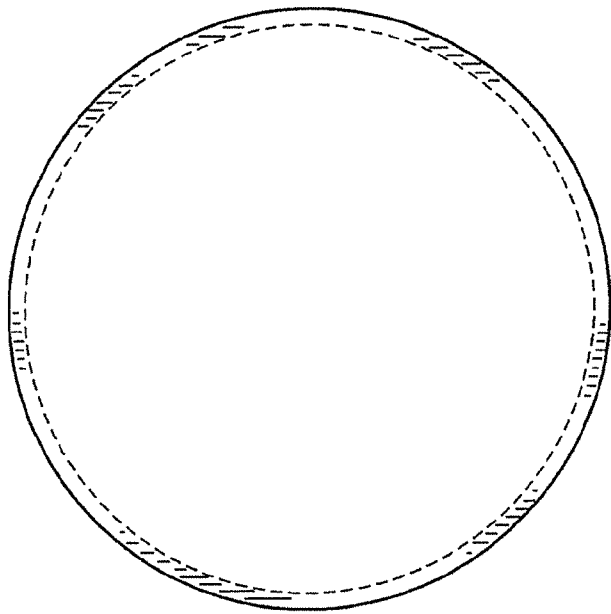


FIG. 7



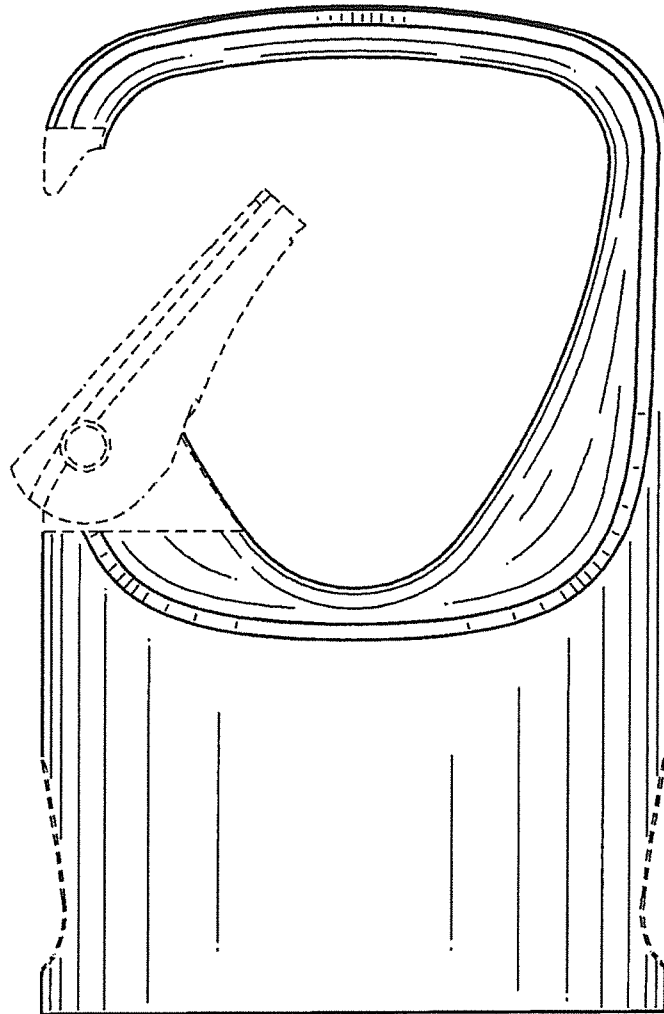


FIG. 8

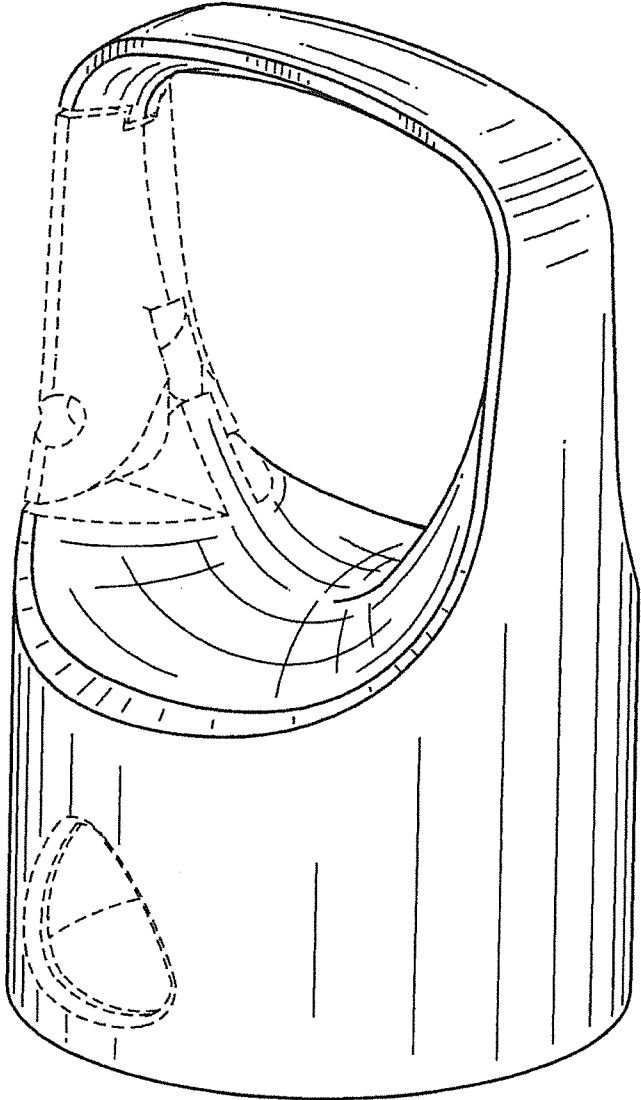


FIG. 9

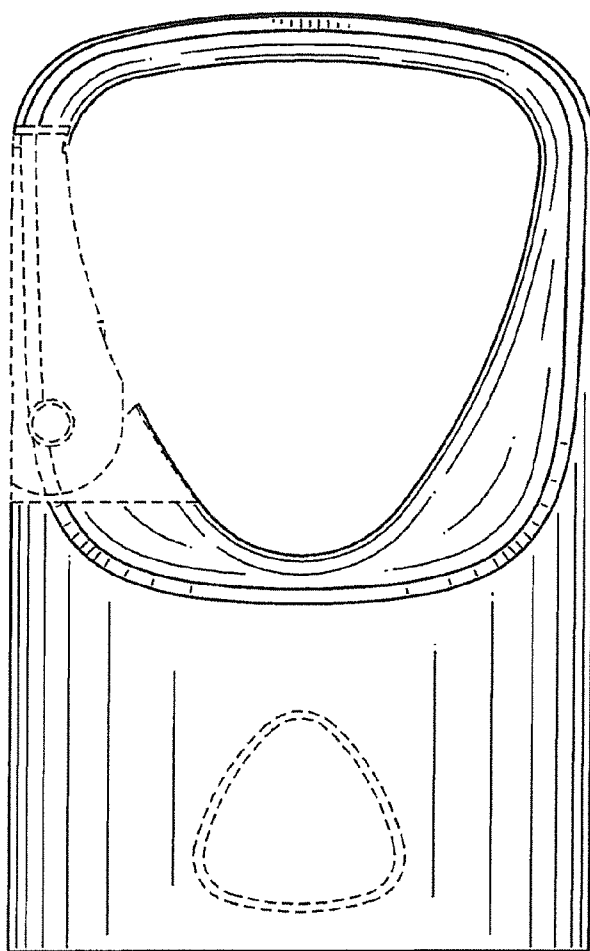


FIG. 10

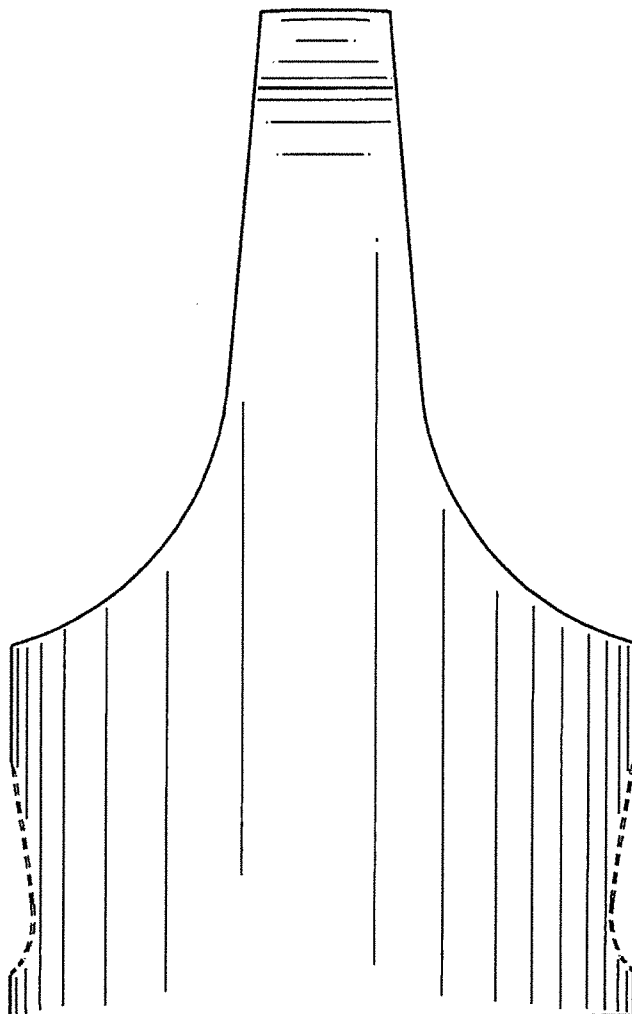


FIG. 11